

On the cover ...

In 2011 Alan Biagi, of Rodeo CA was in the market for a Thunderbird to restore. He had personally completed the frame off restoration of a 1955 Thunderbird several years back and was ready for the challenge. He contacted Gil Baumgartner of Gil's Ford Center with the intent of finding a restorable 1957 Thunderbird. Gil advised him of a car, however, it was not in need of restoration. Well, the rest as they say is history.

Originally Raven Black, this 1957 Thunderbird was delivered on January 30, 1957 to Chapman Motor Sales, Plain City Ohio and has had at least four owners since. In August 2011 Alan became the fifth. Sometime between 1957 and 1987 it was painted Colonial White and then in 1995 underwent a complete frame off restoration where it received its current coat of Torch Red paint. By 2011 there had been over eleven thousand miles recorded on the odometer since the 1995 restoration. (Alan has added over three thousand miles.) A quick Thank You to Dick and Marilyn Bottom for the wonderful restoration and care of their "Tweedy Bird" during those intervening years. For a car that had been driven for all those many miles, much time and attention to detail had been given to maintaining the appearance and quality of the restoration. A tradition which he has gladly continued.

Prior to this car coming into his possession it had been in a private collection and had not been driven for well over a year. Although a nice car it was in need of much TLC. Alan began by wet sanding and polishing the entire car, refinishing wheels, replacing tires and adding 1957 dog dish hubcaps. Next was cleaning, detailing, touching up and waxing of the entire underside of the car. This process revealed the necessity to strip and replace paint and under seal in both rear wheel wells and the restoring of several suspension and frame parts...

... Continued on Inside Back Cover



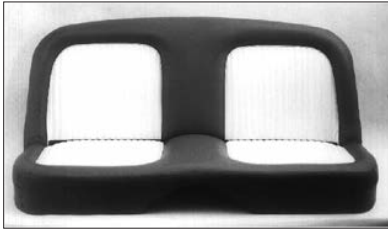
RECYCLED PAPER

Joining in the spirit of current ecological efforts to maintain the natural resources of our planet, thereby keeping them available for future generations, Thunderbird Headquarters has decided to print this catalog on recycled paper.

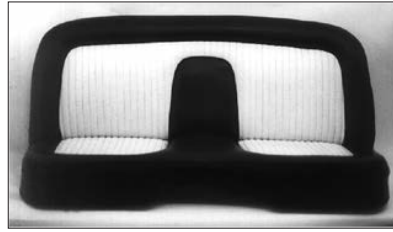
CONTENTS

UPHOLSTERY & INTERIOR.....	2
LITERATURE.....	5
ACCESSORIES	7
LITHOGRAPHS	9
RADIOS	10
SOFT TOP RECOVERING KITS	11
PATCH PANELS.....	12
DECALS & I.D. TAGS	13
WHEELS & WHEEL ACCESSORIES	14
BRAKES	15
SUSPENSION & STEERING	19
REAR AXLE & DRIVE TRAIN	25
EXHAUST SYSTEM.....	26
ENGINE	29
TRANSMISSION.....	33
COOLING SYSTEM & FRONT GRILL	36
FUEL SYSTEM	38
FRESH AIR SYSTEM.....	43
DASH & WINDSHIELD	44
IGNITION & ELECTRICAL SYSTEMS.....	51
FRONT FENDERS & HOOD	63
INSTRUMENT CLUSTER	65
WINDSHIELD WIPERS & MIRRORS.....	66
BUMPERS	67
SHOCK ABSORBERS	69
HEATER, RADIO, & AIR CONDITIONING	70
DOORS & WINDOWS.....	72
EXTERIOR TRIM	75
TRUNK.....	77
HARD & SOFT TOPS.....	79
SEAT PARTS	83
FASTENERS, FITTINGS & CLIPS	84
SEALS, GASKETS, & WEATHERSTRIPPING	86
HARDWARE KITS	88

We at Thunderbird Headquarters are proud to offer to you the *very BEST* in Thunderbird upholstery. All of the materials have been reproduced to match the originals in every way including the *CORRECT COLOR* and *GRAIN* of the vinyls. The seat cover kits have been duplicated in every detail and are the *BEST* available at any price for the *CONCOURS ENTHUSIAST*. The door panels, too, have been reproduced to match the originals right down to the *HEAT EMBOSSED STITCH* on the 1956 to the *THUNDERBIRD INSIGNIA* on the 1957. *SATISFACTION IS GUARANTEED!*



1955



1956



1957

SEAT COVER SETS:

All seat cover sets include hinge booties and backrest wings.

1955	Black & White, Red & White, Aqua and White	249.95
	Yellow & Black	295.00
1956	Black & White, Red & White, Peacock Blue & White, Sage Green & White and Buckskin Tan & White	249.95
	Above covers with embossment	282.95
1957	Black & White, All White, All Red, All Bronze and Two Tone Blue.....	249.95
	Above covers with embossment	282.95
	Two Tone Green	299.00
	Two Tone Green with embossment.....	329.95

SEAT EMBLEM EMBOSSEMENT



1956 Emblem



1957 Emblem

NOTE: All 56's and very early 57's were produced with embossments in the smooth center area of the seat back between the pleated inserts. When ordering, please specify embossed.

COMPLETE UPHOLSTERY KITS

Each Complete Upholstery Kit includes the following : seat covers, backrest cardboard, backrest wings, backrest booties, door panels, kick panels, quarter panel cardboard, windlace, arm rest covers, garnish rail covers, door panel beading, vinyl floorcover, dash cover ('55 & '56 only), drop curtain & carpet with jute padding.

These kits have already been discounted. No other discounts apply.

Colors Available:

1955	Black & White, Red & White, Green and White	712.00
	Yellow & Black.....	806.95
1956	Black & White, Red & White, Peacock Blue & White, Sage Green & White and Buckskin Tan & White	712.00
	With embossed seat cover please add	31.50
1957	Black & White, All White	676.95
	Two Tone Blue, Red, Bronze	734.95
	Two Tone Green	772.95
	With embossed seat cover please add	31.55

SEAT FOAM SETS:

Consists of foam for seat cushion and back cushionset 239.95

BACKREST CARDBOARD:

Vinyl covered cardboard attached to back side of seat36.50
•HWK 69 Seat backrest cardboard to seat (48 pcs).....6.95

DROP CURTAIN:

Hanging curtain on rear deck, complete with snaps.....42.50
•HWK 74 Drop curtain floor studs, 55/56 (6 pcs-2 sides).....8.95
•HWK 75 Drop curtain floor studs, 57 (2 pcs-2 sides)2.95

GARNISH RAIL SET:

Three pieces of vinyl to cover the door garnish rails and the package tray garnish rail15.50

VINYL FLOOR COVER:

Vinyl covering to glue over the hump behind the seat.
1955-56 Without tonneau cover.....7.95
1956 With tonneau cover14.60
1957 All14.60

WELT CORD:

Two pieces of vinyl covered cord 8-1/4" long that are placed in the front of the large door panel aluminum, pair10.50

ARM REST COVERS:

Already sewn, with a double needle French stitch as original, pair32.50

DASH COVER:

Sewn as original. Must be glued onto the dash, 55/5642.00
••NOTE•• For 1957 padded dashes see #04290

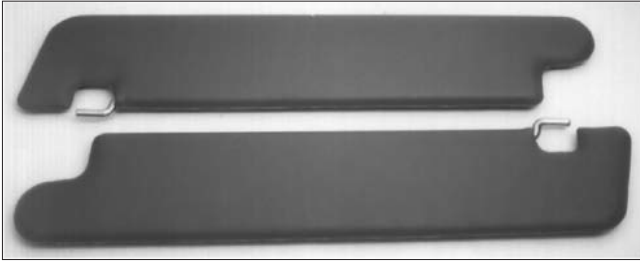
WINDLACE SET:

Four pieces of covered thick piping installed next to the kick panels and quarter panel cardboards. Black, red, green, brown
1955-56 Cloth covered windlace as original26.00
1957 Vinyl covered windlace as original26.00

QUARTER PANEL CARDBOARDS:

Die cut boards in matching colors with bound edges that are installed between wheel housing and rear door postset 27.50
31262 Tack strip, quarter panel cardboard, extruded vinyl, enough for both sides.4.95
•HWK 70 1/4 Panel cardboard chrome screws (20 pcs).....2.95

7-10% Quantity Discount on orders over \$1000.00



SUN VISORS:

- 04104A** Sun visors, less bracket & screws, 56, white, includes S clip, pair.....165.00
- Sun visors, less bracket & screws, 57, includes S clip, pair
- 04104BB** Blue165.00
- 04104BG** Green.....165.00
- 04104BR** Red.....165.00
- 04104BW** White.....165.00
- 04104BZ** Bronze.....165.00
- 04104C** 56/57 Clip, chrome S shaped at end of visor4.95

CARPET:

These have been reproduced in all of the original colors with 100% nylon carpet material and in some of the colors in the original raylon carpet material. They have been reproduced with matching cloth binding, original style metal dimmer switch rings, die cut heel and toe pads and are guaranteed to fit!

- 1955** Black, Red and Aqua in 100% nylon
- 1955** Black and Red in raylon
- 1956** Black, Red, Peacock Blue, Sage Green and Brown in 100% nylon
- 1956** Black, Red and Peacock Blue in raylon
- 1957** Black, DK Red, Bright Red, Blue, Green & Bronze in 100% nylon
- 1957** Black, Bright Red and Blue in raylon.
- 100% nylon carpet with pre-cut jute padding98.95
- 100% nylon carpet only89.95
- Raylon carpet with pre-cut jute padding.....108.95
- Raylon carpet only.....99.95
- Pre-cut jute padding only.....9.45
- TFPDS:** Floor sound deadening, under carpet, 4 piece set36.95



DOOR PANELS:

- TDP55WT** Heat seamed, as original, in White, 55, pair.....128.00
- TDP55YL** Heat seamed, as original, in Yellow, 55, pair.....165.00
- TDP56WT** Heat seamed, as original with embossed stitch, White, 56, pair128.00
- Heat embossed with Thunderbird emblem, as original, pair
- TDP57** White, 57128.00
- TDP57WT** White, 57128.00
- TDP57RD** Red, 57165.00
- TDP57BU** Blue, 57165.00
- TDP57GR** Green, 57165.00
- TDP57BZ** Bronze, 57.....165.00
- HWK 71A** Door panel to door, 55/56 (39 pcs-1 side).....8.95
- HWK 71B** Door panels to doors, 55/56 (78 pcs-2 sides)17.95
- HWK 72A** Door panel to door, 57 (32 pcs-1 side).....8.30
- HWK 72B** Door panels to doors, 57 (64 pcs-2 sides).....16.55

KICK PANELS:

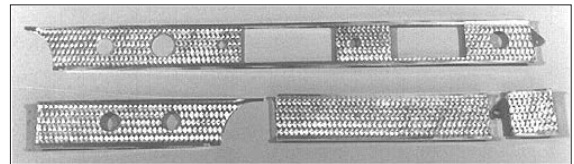
- TKP55WT** Heat seamed, as original, in White, 55, pair.....59.95
- TKP55YL** Heat seamed, as original, in Yellow, 55, pair79.95
- TKP56WT** Heat seamed, as original with embossed stitch, White, 56, pair59.95
- TKP57** Heat embossed with Thunderbird emblem, as original, pair,
- TKP57WT** White, 57, pair59.95
- TKP57RD** Red, 57, pair.....79.95
- TKP57BU** Blue, 57, pair.....79.95
- TKP57GN** Green, 57, pair79.95
- TKP57BZ** Bronze, 57, pair.....79.95

KICK PANEL RETAINERS:



- 02354** Retainer, kick panel, RH.....49.95
- 02355** Retainer, kick panel, LH.....49.95

DASH ALUMINUM:

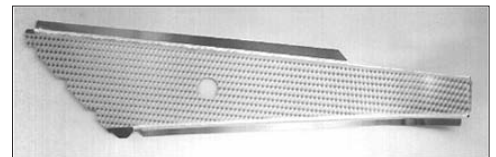


- 04338AK** Consists of all 4 dash aluminum pieces for the 55/56 models; 04392, 04393, 04338 & 06036299.40
- HWK 102** Dash aluminum to dash (6 pcs)..... .95
- 04338A** Dash aluminum trim, center, 55/56105.05
- 04338B** Dash aluminum trim, center, 57105.05
- 04338BK** Consists of 4 dash aluminum pieces for 57 models; 04392, 04393, 04338 & 06036.....299.40
- 04338CK** Consists of 5 dash aluminum pieces for 57 models; 04392, 04393, 04338, 04438 & 06036414.95
- HWK 102** Dash aluminum to dash (6 pcs)..... .95
- 04358** Plate, dash end cap, chrome, RH.....15.75
- 04359** Plate, dash end cap, chrome, LH.....15.75
- HWK 73** 04358/9 to dash (4 pcs-2 sides)..... .95
- 04392** Dash aluminum trim, end, RH52.55
- 04393A** Dash aluminum trim, LH, 55/5652.55
- 04393B** Dash aluminum trim, LH, 5752.55
- 04438** Dash cluster aluminum trim, 57115.55
- 06036** Glove box door aluminium trim, 55/57115.35

STEP PLATES:

- 13208C** Step plate, RH door34.95
- 13209C** Step plate, LH door34.95
- HWK 18** Step plates (13208/9) to body, cadmium (16 pcs-2 sides).....2.45
- HWK 19** Step plates (13208/9) to body, chrome (16 pcs-2 sides)2.65

DOOR TRIM ALUMINUM:



- 20920** Moulding "L" door trim, rear, RH13.90
- 20921** Moulding "L" door trim, rear, LH.....13.90
- 21166** Panel, aluminum door trim finish, RH97.70
- 21167** Panel, aluminum door trim finish, LH97.70
- 21167DC** Panel, aluminum door trim finish, LH, die stamped for power seat switch108.20



1957 PADDED DASH:

04290D	Black, 57, reproduction	450.00
04290E	White, 57, reproduction	450.00
04290F	Red, 57, reproduction	450.00
04290G	Green, 57, reproduction	450.00
04290H	Bronze, 57, reproduction.....	450.00
04290J	Blue, 57, reproduction	450.00

HEADLINERS:

We offer both the bone (off-white) headliner, as original, or the pure white headliner. Both come with original style, crush finish wire-on.

HL4B	4 Bow bone	47.80
HL4W	4 Bow white	47.80
HL5B	5 Bow bone	47.80
HL5W	5 Bow white	47.80
HLWRB	Headliner wire-on only, original crush finish, bone.....	9.95
HLWRW	Headliner wire-on only, original crush finish, white	9.95
•HWK 67	Hard top wire-on trim to top (6 pcs).....	1.20

TONNEAU COVER/DROP CURTAIN:

Made like original. Snaps included but not installed.....169.95



Thunderbird Rubber Floor Mats:

ACC 15A	Black with White emblem, pair.....	59.95
ACC 15B	Red with White emblem, pair.....	59.95
ACC 15C	Blue with White emblem, pair	59.95
ACC 15F	Peacock with White emblem, pair	59.95
ACC 15G	Willow green with white emblem, pair	59.95

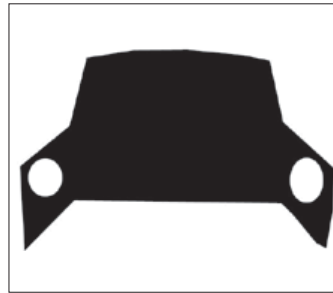
QUIETRIDE



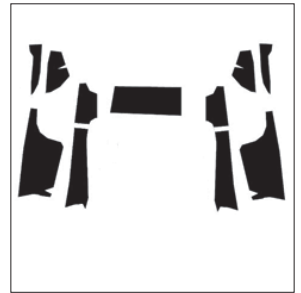
Floor Kit



Cowl Kit



Roof Kit



Body Kit

QuietRIDE Solutions®
AcoustiSHIELD®
 Roof to Road Solutions to Control Automotive Noise, Vibration and Heat

NEW – AcoustiSHIELD kits. Current technology in automotive design incorporates sound control systems and acoustic materials throughout the vehicle - from the engine bay to the trunk compartment. The purpose of these materials is to dampen, insulate and absorb the heat, cold and noise from the passenger compartment. In a typical luxury sedan, there is approximately 100 pounds of sound and heat control material incorporated into the interior body work of the vehicle. Its primary mission is to protect the passenger cabin from external noise. The ultimate goal is to create a "sound proof box."

By using the AcoustiSHIELD materials during the resoration or custom car building process you can soften the ride, deaden the noise, isolate the mechanical source of heat and control the forces of the external environment – and all of these remedies are easily hidden behind upholstery panels.

Q55AK	55/56 insulation kit, contains floor, roof, kick panel, under dash, body, trunk and door kits	707.00
Q57AK	57 insulation kit, contains floor, roof, kick panel, under dash, body, trunk and door kits	707.00
Q55B	55/56 body insulation kit	150.00
Q57B	57 body insulation kit	150.00
Q55C	55/57 firewall insulation kit	251.00
Q55E	55/56 kick panel and under dash insulation kit	95.00
Q57E	57 kick panel and under dash insulation kit	95.00
Q55F	55/56 floor insulation kit.....	192.00
Q57F	57 floor insulation kit.....	192.00
Q55T	55/56 trunk insulation kit.....	124.00
Q57T	57 trunk insulation kit.....	124.00
Q55R	55/56 roof (headliner) insulation kit	124.00
Q57R	57 roof (headliner) insulation kit	124.00
QDP	55/57 universal door insulation kit.....	62.00

Quiet Ride AcoustiHood:

3D moulded hood or trunk covers. Tough high temperature ABS cover with heatshield insulation panels, pre cut and ready to install. Instructions included.

T55ABSH	55/57 hood insulation kit	239.00
T55ABST	55/57 trunk insulation kit.....	149.00



LIT 1A



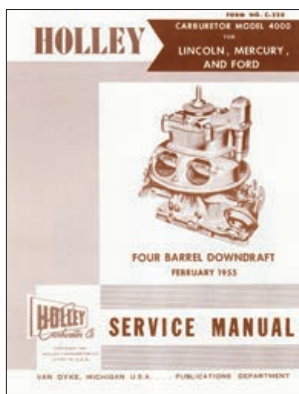
LIT 1B



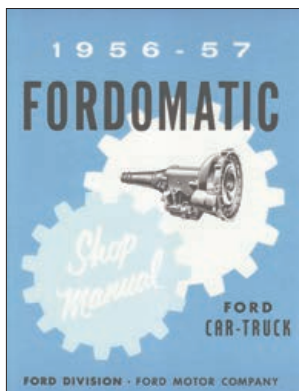
LIT 1C

- LIT 1 Owners Manuals:** Reprints of the originals, in color, which fit in the glove box as originally supplied.
- LIT 1A Owners Manual, 555.95
 - LIT 1B Owners Manual, 565.95
 - LIT 1C Owners Manual, 575.95

- LIT 2 Radio Service Manuals:** Reprints of the original schematics.
- LIT 2A Radio Manual, 55.....4.95
 - LIT 2B Radio Manual, 56.....4.95
 - LIT 2C Radio Manual, 57.....4.95



- LIT 3 Holly Carburetor Manuals:** Reprints of the original showing parts breakdown.
- LIT 3A Carburetor Manual, 5510.00
 - LIT 3B Carburetor Manual, 5610.00
 - LIT 3C Carburetor Manual, 5710.00
- NOTE•• The 1956 manual is a supplement to the 1955 manual. For 1956 coverage, the 1955 and 1956 manuals will have to be purchased.



- LIT 4 Fordomatic Transmission Manual:** A complete manual
- LIT 4A Transmission Manual, 55.....14.95
 - LIT 4B Transmission Manual, 56/5714.95



LIT 5A



LIT 5B

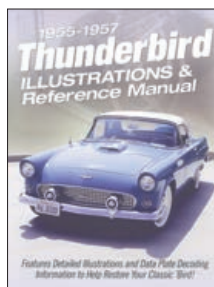


LIT 5E



LIT 5C

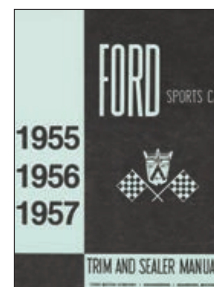
- LIT 5 Sales Brochure:** Reprints of original Ford Sales Brochures.
- LIT 5A Sales Brochure, 55, 4 pages, 2-color2.50
 - LIT 5AA Sales Brochure, 55, 6 pages, multicolor9.95
 - LIT 5B Sales Brochure, 56, 6 pages, multicolor9.95
 - LIT 5C Sales Brochure, 57, 4 page foldout, multicolor5.00
 - LIT 5D Sales Brochure, 55, 12 pages, multicolor14.50
 - LIT 5E Sales Brochure, 56, 16 pages, multicolor16.50
 - LIT 5F Sales Brochure, 57, 16 pages, multicolor14.50



LIT 6



LIT 7

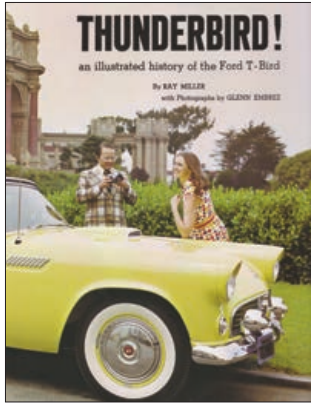


LIT 8

- LIT 6 1955-57 Thunderbird Illustrated Parts Manual:** A must for the Thunderbird owner. This illustration and reference manual is 123 pages packed with full page illustrations/line drawings of the 1955-56-57 Thunderbirds.....10.45
- LIT 7 Electrical Manual:** A complete manual showing wiring diagrams and wiring codes for all three years14.95
- LIT 8 Trim & Sealer Manual:** A complete manual showing installation of all trim pieces, including the interior as well as sound deadeners & sealer application14.95
- LIT 9 Soft Top Illustration:** Brochure covering soft top assembly2.50
- LIT 10 Wire Wheel Illustration:** Illustrated brochure of simulated wire wheel installation2.50
- LIT 11 Distributor Manual:** Detailed manual for rebuilding or working on your distributor9.95
- LIT 12 Supercharger Manual:** Comprehensive manual covering the Ford Supercharger and its related parts.....16.95

**See Our Complete
Weatherstripping Selection.**

- LIT 14 **Service Letters:** A compilation of all service letters sent out by Ford Motor Co. on the early Thunderbirds.....16.95
- LIT 15 **Specification Manual:** A complete manual on all of the specifications of the Thunderbird
- LIT 15A Specifications Manual, 55.....16.95
- LIT 15B Specifications Manual, 57.....16.95
- LIT 16 **Tech Tips:** CTCI recommended tech tips.....7.95



LIT 25

LIT 25 Thunderbird Milestones From the first models of 1955 to the final production year of 1997. **Thunderbird Milestones** explores the design changes, technical decisions, and marketing strategies that made the T-Bird into Ford's signature car for more than 40 years13.95

LIT 27 Standard catalog of 1955-2004 Thunderbirds: The ultimate Thunderbird reference book. It combines history, photos, buyers guide information, technical specifications and pricing into one easy to use book. 204 pages27.95

LIT 28 CTCI Restoration Details and Specifications: Includes addendums and binder170.00

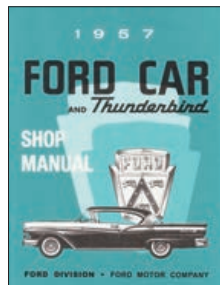
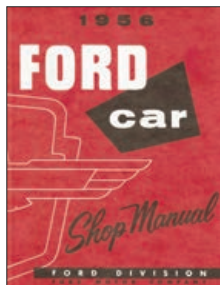
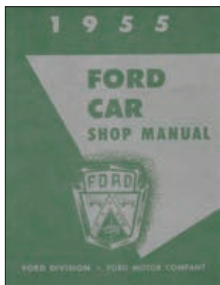
The Ford Road Series: By Ray Miller. Each book is an illustrated history of its subject with approximately 1,000 photographs and illustrations.

- LIT 17A **Thunderbird!:** An illustrated history of the Ford Thunderbird, 304 pages, 1089 photos and charts.....59.95
- LIT 17B **Mustang Does It:** An illustrated history of the Ford Mustang, 320 pages, 1100 photos and charts59.95
- LIT 17C **From Here to Obscurity:** An illustrated history of the Model T Ford, 300 pages, 996 photos and charts59.95
- LIT 17D **Henry's Lady:** An illustrated history of the Model A Ford, 302 pages, 1029 photos and charts.....59.95
- LIT 17E **The V-8 Affair:** An illustrated history of the pre-war Ford, 303 pages, 990 photos and charts59.95
- LIT 17F **The Nifty Fifties:** An illustrated history of the post-war Fords, 320 pages, 1320 photos and charts.....59.95



LIT 30

LIT 30 Thunderbird Illustrated Magazines: This is a set of 8 magazines from the fall issue of 1974 to the spring issue of 1975. This set is a real collector's item and a *must* for the Thunderbird enthusiast. Some of the articles include such motion picture and television cars as the "American Graffiti" 1956 that Suzanne Somers drove to the 1956 seen on the TV series "Movin' On", the 1957 from the "Matt Helm" TV series and the George Barris 1964 custom for the "Munsters" TV series. Special articles can also be found on cars such as the one of kind 1960 stainless steel model built for Ford by the Allegheny Ludlum Steel Company, Arthur Ahlstone's dual carb "E" model 1957, the "Ford Mexico" experimental car, Sport Roadsters, Super Charged "F" models and many more. This set of 8 has 388 packed pages with over 105 color and 400 black and white photographs99.95



- LIT 18 **Shop Manuals:** Complete repair manuals.
- LIT 18A Shop Manual, 55, 341 pages29.95
- LIT 18B Shop Manual, 56, 367 pages29.95
- LIT 18C Shop Manual, 57, 395 pages29.95

••NOTE•• **Shop manuals are now available on CD-ROM. Windows required.**

- CDLIT 18A Shop Manual, 55, CD-ROM.....49.95
- CDLIT 18B Shop Manual, 56, CD-ROM.....49.95
- CDLIT 18C Shop Manual, 57, CD-ROM.....49.95

Wiring Schematic Supplement:

- LIT 20A 1-10" x 25" wiring schematic diagrams9.00
- LIT 20B 1-10" x 25" wiring schematic diagrams9.00
- LIT 20C 2-10" x 25" wiring schematic diagrams9.00



LIT 31

LIT 31 T-Bird: 50 Years: Very detailed overview of Thunderbird history from 1955-2005. A year by year coverage of every model with paint and trim codes, VIN numbers and technical specifications. 192 pages, over 150 photos, hard-back cover39.95



Top Lock



Top Lock - bullet type



Transmission Lock

- ACC 1 **Top Lock**, replaces rear clamp fastener bullet with longer bullet that receives a padlock inside trunk with instructions, does not include padlock, specify year11.95
- ACC 2 **Top Lock**, bullet type with brass padlock, specify year28.95
- ACC 3 **Transmission Lock**, fits into slot of automatic shifting housing, prevents shifter from being taken out of park.....24.95
- ACC 4 **Skirt Lock**, easy to install, only one hole needs to be drilled in 1 skirt bracket, does not include padlock, pair9.95
- ACC 5 **ZDPP oil additive**: an oil supplement that contains very high concentrations of the well-known additive ZDDP (Zinc Dialkyl Dithiophosphate), which has been the primary EP (extreme pressure) ingredient in all quality motor oils for over 70 years9.95



ACC 7



ACC 8

- ACC 7 **Plug N' Chug**, installs in ashtray's place Available in Black, Red, 57 Light Blue or 57 Light Green39.95
- ACC 8 **Drink Caddy** Black, Red or 57 Light Green159.95
Other colors189.95



ACC 9 - Top Hoist

- ACC 9 **Top Hoist**, makes removing or installing your hardtop an easy job by yourself42.75



ACC 10 - Dash Bezel Tool

- ACC 10 **Dash Bezel Tool**, a must for removing the bezels on your dash6.95



ACC 11



ACC 12 - Fender Cover

- ACC 11 **Las-Stick Dust Cloth**, oil treated and super soft3.75
- ACC 12 **Thunderbird Emblem Fender Cover**, turquoise and silver emblem on black vinyl - a must for protecting your fenders.....22.95



- ACC 13 **Car Covers**: All car covers are water repellent and have elastic sewn around the corners.
- ACC 13A Car cover, soft polycotton, 55.....159.95
- ACC 13B Car cover, soft polycotton, 56.....159.95
- ACC 13C Car cover, soft polycotton, 57.....159.95
- ACC 13D Car cover, super soft, flannel backed material, 55.....189.95
- ACC 13E Car cover, super soft, flannel backed material, 56.....189.95
- ACC 13F Car cover, super soft, flannel backed material, 57189.95
- ACC 13G Storage bag for car cover.....8.50
- ACC 13H Cable and lock for car cover14.95



- Thunderbird Rubber Floor Mats:**
- ACC 15A Black with White emblem, pair.....59.95
- ACC 15B Red with White emblem, pair59.95
- ACC 15C Blue with White emblem, pair59.95
- ACC 15F Peacock with White emblem, pair59.95
- ACC 15G Willow green with white emblem, pair59.95

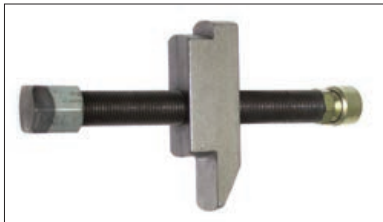
**Thinking About New Upholstery?
See Our Complete Upholstery
Selection.**

TOOLS:



ACC 50 Antenna Wrench

- ACC 50 55/57 Antenna nut wrench, easily removes the special nut on the antenna base. Non-marring plastic body slides over antenna and securely engages nut7.95
- ACC 51 56/57 choke tube punch. This punch is machined to safely remove the 9890 choke heat tube11.95
- ACC 52A 55/56 Temperature sender adapter (10911) puller. Screw this puller into the adapter, tighten nut and remove the adapter19.95
- ACC 52B 57 Temperature sender adapter (10911) puller. Screw this puller into the adapter, tighten nut and remove the adapter.....19.95



ACC 53 Balancer Puller

- ACC 53 55/57 Harmonic balancer puller. This tool uses fine thread alloy steel with a swivel pad that helps distribute force and protect crank threads.....49.95



ACC 54 Hood Cable Tool

- ACC 54 Hood cable release tool. Use this tool if 16877 clamp comes undone from the hood release cable. Insert it from underneath the car and hook onto the hood release bracket12.95
- ACC 55A 55/57 Wiper nut socket. This is a simple octagon socket to easily remove the octagon wiper nut9.95
- ACC 56 55/60 Master cylinder cap wrench. Safely loosen the master cylinder cap without damaging the finish8.95
- ACC 57 55/57 steering column collar wrench. Loosens the telescoping column collar without damaging the chrome finish.44.95



ACC 58 Pulley Install Tool

- ACC 58 Crankshaft pulley install tool41.80
- 1132 56 continental kit wheel cover removal tool.....10.45
- 22601T Handle removal tool for the inside door handles and window cranks .6.95

••NOTE•• No returns on tools



- ACC 20A **Firestone Tire.** 6.70 x 15, 4ply polyester, original tread design, Firestone name in whitewall, 2-11/16" whitewall.188.00
- ACC 20B **B.F. Goodrich Tire.** 6.70 x 15, 4 ply polyester, original tread design, 2-1/2" whitewall.....185.00
- ACC 20D **Coker Classic.** P205 / 75 R15, radial, 2-3/8" whitewall.....199.00
- ACC 22A **Firestone Tire.** 7.50 x 14, 4 ply polyester, original tread design, 2-1/4" whitewall.....186.00
- ACC 22B **B.F. Goodrich Tire.** 7.50 x 14, 4 ply polyester, original tread design, 2-1/4" whitewall186.00
- ACC 22D **Coker Classic.** P205 / 75 R14, radial, 2-3/8" whitewall.....199.00
- NOTE•• All Firestone and B.F. Goodrich tires are C.T.C.I. Concours approved.
- NOTE•• California sales please add tire recycling fee, \$2.00
- NOTE•• Tires are drop shipped from our supplier and are shipped actual freight cost.
- ACC 23A **Trunk Storage Bags,** matches Burtex trunk mat material
Small, 8" x 15"7.95
Medium, 10" x 15"8.95
Large, 16" x 20"9.95
- TC55 **Spare Tire Cover,** Burtex trunk mat material, 5523.50
- ACC 23D-55**Skirt Bag:** burtex trunk mat, large enough for one pair of fender skirts49.95



Style 1 Style 2 24T

- Seat Belts,** replacement, with mounting hardware.
- ACC 24A Black (2).....29.95
- ACC 24B Red (2)29.95
- ACC 24D Medium blue (2).....29.95
- ACC 24E Maroon (2)29.95
- ACC 24J Fiesta red (2)29.95
- ACC 24K Peacock blue (2).....29.95
- ACC 24M White (2)29.95
- ACC 24N Dark green, 1957 (2)29.95
- ACC 24R Red (1)19.95
- ACC 24T Retractor9.95
- NOTE•• Seat belts are priced per person
- ACC 24U Lap belt underbody reinforcement plate set, 1 per belt required ...19.95
- ACC 31 Pliers and rings.....22.55
- ACC 31HO Hog rings only.....3.50
- ACC 31P Hog ring pliers only19.95



ACC 28A Trailer Tie Down

Protect your Bird. This heavy duty ratchet tie down is manufactured of heavy duty webbing strap and heavy duty ratchet assembly with snap hooks on both ends. Our tie down has a 1600 lb. load strength and 5000 lb. breaking strength. You can't afford to trailer your Bird without one.....24.95

ACC 28B Trailer Tie Down

Deluxe tie down assembly. This model has more cross stitching on the webbing straps, heavier ratchet assembly and a stronger snap hook on both ends. Load strength of this model is 3,300 lbs. and 10,000 lb. breaking strength.....29.95

ACC 28C Axle Strap

Our 18 inch heavy duty webbing strap has a load strength of 3,300 lbs. and a breaking strength of 10,000 lbs. Each7.50



ACC 32 Thunderbird Bra

Protects nose panel and grill area. This bra *installs easily* with soft padded aluminum tabs that hold it snugly in place. The backing is made of an extremely soft cotton/polyester material for maximum protection.

ACC 32A 55/5679.95
ACC 32B 5779.95



ACC 34B Radiator Coolant Overflow Tank

Designed by CASCO specifically for your Early Bird. Adds almost 2 extra quarts of coolant to your cooling system and helps remove dissolved gases. Easy installation even on cars equipped with air conditioning. Coolant level can be checked hot just like your late model car. Installation: loosen two existing bolts, slide tank into place, tighten bolts, hook up flexible tubing, and fill with cool-ant. Kit comes with tank, CNC machined TBird specific powder coated bracket, tubing, and instructions. Kit is designed for vehicles with over-flow tube on RH (passenger side) and original style fan shroud. 8005RK Overflow tank kit39.50

ACC 42 Rear Deck Protectors

These clear die cut vinyl flim protectors have been developed to help protect your Thunderbirds' rear deck area where the hardtop or softtop rubber comes into contact with the painted surface. These protectors adhere by static cling and are easy to install, remove or reinstall20.95

LITHOGRAPHS



ACC 30



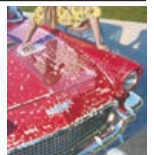
ACC 43



ACC 44



ACC 45



ACC 47

ACC 30 "BIRDS OF THE BAY"

"Birds of the Bay" is a limited edition lithograph illustrating a typical summer afternoon overlooking the Golden Gate Bridge at the entrance to San Francisco Bay. It is printed on acid-free 80lb stock paper and measures 20" x 26" overall with an image size of 16" x 22". Each lithograph is signed and numbered by the artist, Mark Davidson, and comes with a signed Certificate of Limitation and Authenticity..75.00

ACC 43 "BOULEVARD FORD"

"Boulevard Ford" is a signed and numbered limited edition of only 500 depicting a typical Ford dealership in the mid 1950's. The showroom is stocked with the 1956 Ford line-up and the streets outside are busy with Fords of past years. It is printed on 80lb. stock paper and measures 19" x 25" overall with an image size of 14" x 23"60.00

ACC 44 "FORDS OF JULY"

Mark Davidson's painting highlights a 1927 Model-T, a 1957 Thunderbird, a 1950 Ford Custom and a 1956 Fairlane Sunliner. This limited edition lithograph of 550 is printed on acid-free 80lb. stock paper. Each one measures 22" x 27" overall and has an image size of 18" x 23". Each lithograph is signed and numbered by the artist and comes with a signed Certificate of Limitation and Authenticity.....75.00

ACC 45 "BIRDS OF PLAY"

Gale Armstrong's "Birds of Play" is a must-have picture for all Birdpersons and serious collectors of fine automotive art. Limited to 450 signed and numbered prints on acid free archival stock. Each 20" x 26" print comes with a Certificate of Authenticity.....55.00

ACC 47 "BIRD BATH"

"Bird Bath" is a color reproduction (lithograph) of an oil on canvas painting by Marc Poole. Available in a series of 500 signed and numbered prints on 26" x 19" acid free archival stock with fade resistant inks.85.00

CUSTOM AUTOSOUND CAR AUDIO

At last, a modern 12 volt AM/FM Radio Conversion has been developed to fit the Classic Thunderbird. Our wide selection of audio components offer you all of the modern features you want without having to sacrifice the original looks or modifying your original dash.



MODEL TBVE 230 AM/FM

- AM/FM Stereo
- Power antenna lead
- Separate bass & treble control
- 200 Watts high power
- Local/Long Distance Selector
- 30 Pre-Sets(12AM-18FM)
- Scan & Seek tuning
- RCA pre-outs outputs and input for iPod, mp3, DVD, satellite, etc.

ACC 33-TBVE-2179.00

MODEL TBVE-630

Full featured AM/FM Radio with CD Controller. This radio looks like an analog (manual dial) push button radio. Turn it on and it's a digital AM/FM CD changer controller. You get the best of both worlds, yesterday's cosmetics with today's sound.

- AM/FM Stereo
- Power antenna lead
- Separate bass & treble control
- Local/Long Distance Selector
- 240 Watts high power
- 30 Pre-Sets(12AM-18FM)
- Scan & Seek tuning
- 4 channel RCA outputs and input for iPod, mp3, DVD, satellite, etc.
- Direct CD control

ACC33-TBVE-630239.00



ACC 33 - S Secret Audio

Hideaway remote control leaves original radio intact. LCD display sensor unit can be mounted almost anywhere and can be controlled by wireless remote from up to 40 feet away. The tuner/amplifier unit can be hidden out of site (under seat or dash). Two mounting options included.

- AM/FM Stereo
- Power antenna lead
- Separate bass & treble control
- Local/Long Distance Selector
- 200 Watts high power
- 30 Pre-Sets(12AM-18FM)
- Scan & Seek tuning
- Auto Reverse
- 4 way fader
- Digital clock

ACC 33 - S299.95



MODEL ACC33-CD-10 6 Disc CD Changer

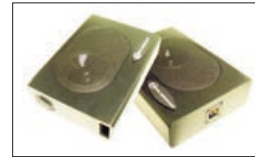
Features:

- 6 CD capacity
- 3 beam laser tracking
- Full logic control
- Dual 1 Bit D/A coverter
- Spring loaded / oil damped
- 8x oversampling

Use with TBVE 630 or ACC 33-S259.00



ACC33-AR-1 55/57 12 volt NEW AM/FM stereo radio - has 2 RCA input jacks to allow accessories such as MP3, iPod, CD player or satellite receiver to be added. 180 watts (45 x 4) 5AM/5FM presets. 9" x 2.65" x 2.5" depth. 1/2" D shafts for knobs, included595.00



MODEL ACC 33-U1 Self Enclosed Speakers

These are a compact unit with one 5 1/2" woofer and piezo tweeter in each. 120 Watt capacity. Each one measures 8 1/4" wide x 11 1/4" long x 3" high.

Pair119.95



MODEL ACC 33-U2 Self Enclosed Speakers

More powerful than the U1. These have an 8" woofer and 2 piezo tweeters in each box and are 200 Watt capacity.

Each one measures 11" wide x 12 1/5" long x 3" high.

Pair139.95



TB-SP-1



TB-SP-2

ACC 33 - TB-SP-1

Great "no modification" solution and a necessity for 2-channel stereo.

Our dual top dash upgraded speaker assemblies are mounted on 1/4-inch material, with cloth over speakers and are pre-wired to plug into radio! They fit and mount as the original did in the original front speaker area.34.00

ACC 33 - TB-SP-2

Dual voice coil speaker44.95



ACC 33 - TB INVERT Power inverter, 6V pos to 12 Volt neg.....99.95

ACC33-ICAM This adapter plugs into the CD changer port on the back of your Custom Autosound radio and plugs into YOUR iPod (not included) Song selection is made with the CD control buttons on the radio and includes playlist or random song selection. The iCAMKIT can be used without an iPod to input audio from an external device (satellite radio, portable CD etc.) via the 1/8" stereo plug..... 109.00
Use with CD control radio MODEL 6 OR Secret Audio made after 4/03 only.



ACC33-AR-TC: 56/57 12 volt Town and Country AM/FM stereo radio - has 2 RCA input jacks to allow accessories such as MP3, iPod, CD player or satellite receiver to be added. 180 watts (45 x 4) 5AM/5FM presets695.00

ACC33-AR-B: Bluetooth adapter. Works with any radio that has an auxiliary output39.95

We offer the BEST and MOST COMPLETE line of soft top recovering kits available anywhere. All kits include the top covering, rear window assembly, windlace strips, wire-on strip, replacement style webbing straps, bow cover for #2 bow and window straps.

TYPES OF MATERIAL

Black vinyl/black underside	235.00
White vinyl/black underside	235.00
All other vinyl colors	275.00
All Haartz Sta-Fast canvas	450.00

Available Vinyl

- White vinyl/black underside
- Black vinyl/black underside
- Dark brown vinyl/black underside
- Black vinyl/black underside
- Dark blue vinyl/black underside
- Maroon vinyl/black underside

Available Haartz Sta-Fast

- Black canvas/tan underside
- Black canvas/black underside
- Dark blue canvas/tan underside
- Tan canvas/tan underside
- Tan canvas/black underside

••NOTE•• Recovering kits will not fit aftermarket tops - designed for original frames only.

Materials Available

Vinyl tops: This is the most practical top material of all. It is very durable and washable.

Haartz Sta-Fast Canvas: This the BEST canvas money can buy. It is fade resistant and has a silky sheen to it much like the original canvas tops. All top "show cars" use this canvas material.

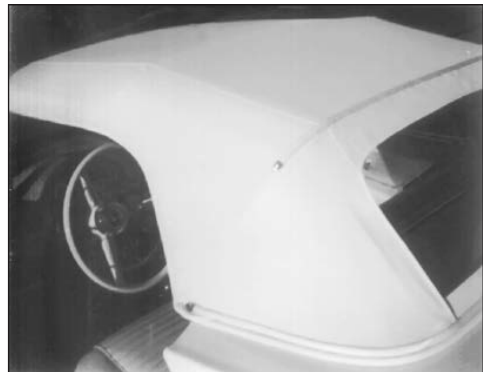
Back Window Styles Available

- 211 Horseshoe zipper (zipper on 3 sides). Not stock by concours standards but certainly the most practical.
- 212 Straight across the top zipper with flaps on both sides of the rear window, as original for 1956-1957.
- 213 Completely sewn in rear window (no zipper at all) as original for the 1955.

Samples available upon request.

• In stock for immediate delivery in the 211 style. All other colors and rear window styles will be special ordered. We request full payment in advance on special order recovering kits. Please allow 3 to 4 weeks for delivery.

* Original for all years.



For More Convertible Top Parts See "Hard & Soft Tops", Page 79-82

GIFT CERTIFICATE

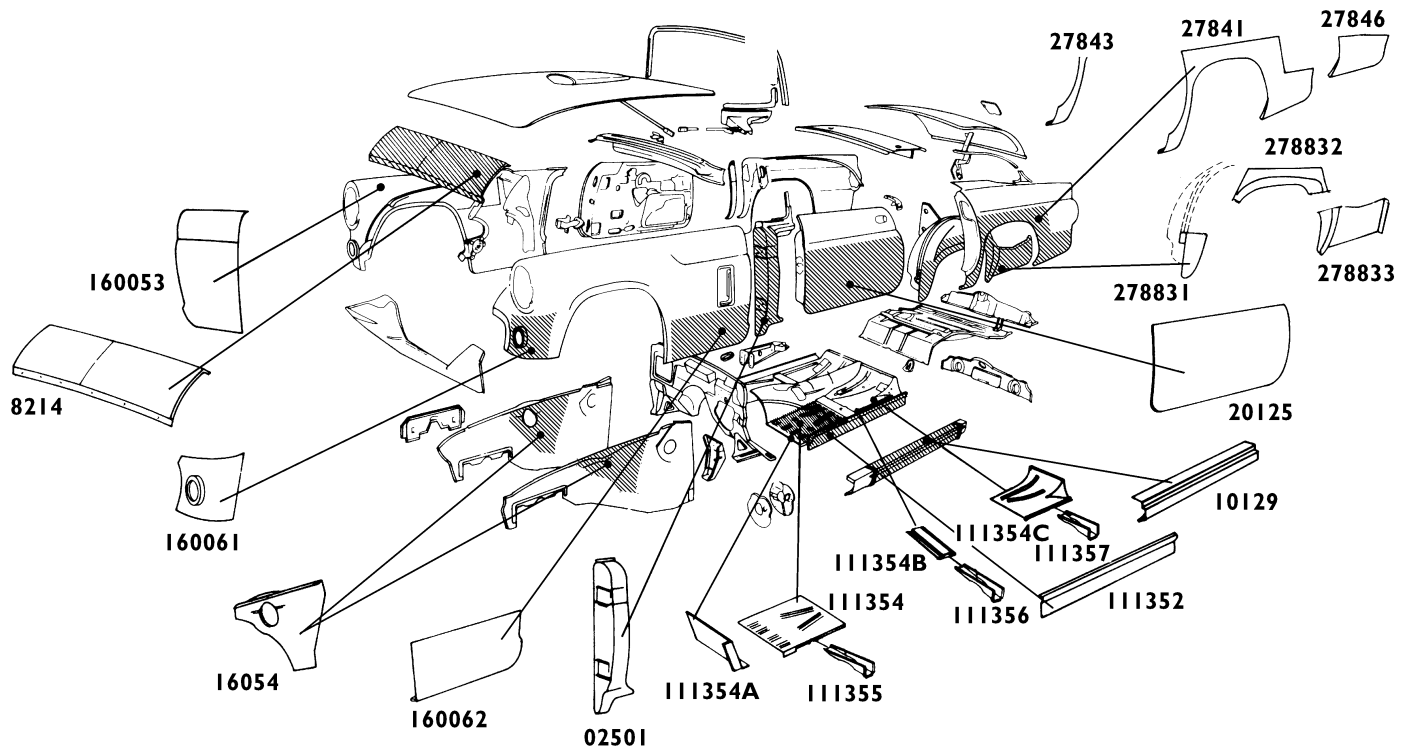
Date _____
\$ _____

M _____
upon presentation of this Gift Certificate, may select a gift to the value of

_____ Dollars

Presented by _____

Signature _____



All repair panels are made from 20 gauge (heavier than original) draw quality sheet metal.

8214	Complete nose panel	370.00
8214A-R	1/2 Nose panel, RH.....	155.00
8214B-L	1/2 Nose panel, LH.....	155.00
02500R	Door post repair, full height, 27", RH	85.00
02501L	Door post repair, full height, 27", LH	85.00
02502R	Kick panel repair, lower 7-1/2", RH	60.00
02503L	Kick panel repair, lower 7-1/2", LH	60.00
10128R	Outer rocker, RH, 34-1/2" long	75.00
10129L	Outer rocker, LH, 34-1/2" long	75.00
111351R	Inner rocker, RH, 44-1/2" x 5-1/2"	55.00
111352L	Inner rocker, LH, 44-1/2" x 5-1/2".....	55.00
111353AR	Sloping firewall, RH, up firewall 9-1/2".....	55.00
111353BR	Center floor, RH, 5-1/2" x 22"	50.00
111353CR	Rear floor, RH, 25-1/2" x 25", with insert	110.00
111354AL	Sloping firewall, LH, up firewall 9-1/2".....	55.00
111354BL	Center floor, LH, 5-1/2" x 22"	50.00
111354CL	Rear floor, LH, 25-1/2" x 25", with insert.....	110.00
111353R	Frt. floor repair, RH, 21" x 22"	110.00
111354L	Frt. floor repair, LH, 21" x 22"	110.00
111355RL	Frt. floor brace, L or R.....	45.00
111356RL	Center floor brace, L or R.....	45.00
111357RL	Rear floor brace, L or R	40.00
111358R	Trunk floor, flat area, 55/56, 26" x 43"	350.00
160051S-55	Frt. fender at park light, 55/56, RH	90.00
••NOTE••	160051S-55 are die stamped, have the lip for the grill corner moulding and include the park light retainer plate	
160051R-57	Frt. fender at park light, 57, RH	80.00
160061S-55	Frt. fender at park light, 55/56, LH	90.00
••NOTE••	160061S-55 are die stamped like 160051S-55	

160061L-57	Frt. fender at park light, 57, LH.....	80.00
160052R	Frt. fender bottom, RH, 12" high, 28 1/4" wide	55.00
160062L	Frt. fender bottom, LH, 12" high, 28 1/4" wide.....	55.00
160053R-55	Frt. fender rear, 55, RH, 28" high, 20-1/2" wide.....	225.00
160053R-6/7	Frt. fender rear, 56/57, 28" high, RH, 20-1/2" wide.....	280.00
160063L-55	Frt. fender rear, 55, LH, 28" high, 20-1/2" wide.....	225.00
160063L-6/7	Frt. fender rear, 56/57, LH, 28" high, 20-1/2" wide.....	280.00
16054R	Apron repair, RH.....	94.95
16055L	Apron repair, LH.....	94.95
20200R	Door repair, RH, 16-1/2" x 42".....	210.00
20201L	Door repair, LH, 16-1/2" x 42"	210.00
20124R	Lower door repair, RH, 14-1/2" x 42"	100.00
20125L	Lower door repair, LH, 14-1/2" X 42"	100.00
27840R	1/4 panel repair, RH.....	220.00
27841L	1/4 panel repair, LH	220.00
27842R	1/4 panel bottom frt., RH, 15" high	60.00
27843L	1/4 panel bottom frt., LH, 15" high	60.00
27838R	1/4 panel center top cap, RH.....	65.00
27839L	1/4 panel center top cap, LH.....	65.00
27844R	1/4 panel bottom rear, RH, 10" to 13" high	95.00
27846L	1/4 panel bottom rear, LH, 10" to 13" high.....	95.00
278821R	Wheelhouse lower front, RH	55.00
278831L	Wheelhouse lower front, LH	55.00
278822R	Wheelhouse top cap, RH	46.00
278832L	Wheelhouse top cap, LH	46.00
278823R-55	55 Wheelhouse extension, RH (flat end)	110.00
278833L-55	55 Wheelhouse extension, LH (flat end)	110.00
278823R-56	56 Wheelhouse extension, RH (45 degree end).....	110.00
278833L-56	56 Wheelhouse extension, LH (45 degree end).....	110.00
278823R-57	57 Wheelhouse extension, RH (90 degree end).....	110.00
278833L-57	57 Wheelhouse extension, LH (90 degree end).....	110.00
278800R-L	Rear floor brace ends, 57, 12" long, each	95.00
278800C	Complete rear floor brace, 57	170.00

We have the quality you deserve!

- 1A Air Cleaner, 55/56.....2.10
- 1B Air Cleaner, 572.10
- 2 Auto transmission (glove box).....3.00
- 3 Coil, 56/572.00
- 4A Data plate, 55/56 early 57.....1.20
- 4B Data plate, late 57.....1.20
- 4C Data plate rivets/pair.....4.25
- 5A Engine oil/tire pressure (glove box), 55/56.....1.15
- 5B Engine oil/tire pressure (glove box), 571.15
- 6A Generator plate, with rivets, 55.....4.15
- 6B Generator, 56.....1.30
- 6C Generator, 57.....1.30
- 7 Heater instructions1.10
- 8 Hood block-off.....1.50
- 9A Jacking instructions/Jack stowage, 55/56.....1.20
- 9B Jacking instructions/Jack stowage, 57.....1.20
- 10A Lifeguard doorlock (door jam), 562.60
- 10B Lifeguard doorlock (door jam), 573.00
- 11 Oil filter, element type.....2.00
- 12A Starter plate, with rivets, 554.15
- 12B Starter, 56/57.....1.30
- 13 Soft top (glove box).....1.15
- 14A Valve cover, 55/57 292 CID...pair.....6.90
- 14B Valve cover, 56/57 312 CID...pair.....6.90
- 15A Voltage regulator, 551.50
- 15B Voltage regulator, 56/57.....1.20
- 16A Inspection stamp decal set, consisting of 2 paint, 2 road test & one each heater voltage, heater date, trim, glass & final inspection, 55.....9.95
- 16B Inspection stamp decal set, 569.95
- 16C Inspection stamp decal set, 579.95
- 17A Jewel kit for oil, generator and turn signal lights, 55/56.....6.00
- 17B Jewel kit for oil, generator and turn signal lights, 57.....7.35
- 18B Radio, 56.....1.00
- 18C Radio, 57, 2 pc. set.....2.00
- 19 Engine Foundary Tag.....1.00
- DK55 Decal Kit, consists of one each #1A,2, 5A, 6A, 7, 8, 9A, 11, 12A, 13 and 15A, 1955.....17.95
- DK56 Decal Kit, consists of one each #1A, 2, 3, 5A, 6B, 7, 8, 9A, 11, 12B,13 and 15B, 1956.....14.10
- DK57 Decal Kit, consists of one each #1B, 2, 3, 5B, 6C, 7, 8, 9B, 12B, 13 and 15B, 195711.10

SERVICE INSTRUCTIONS

CLEAN AND REFILL OIL BASE WITH ONE PINT OF NEW OIL EACH TIME CRANKCASE IS DRAINED. WASH UPPER FILTER IN KEROSENE AND DRAIN. USE S.A.E. 30 OIL FOR TEMPERATURES ABOVE FREEZING. S.A.E. 10 BELOW FREEZING. CLEAN MORE FREQUENTLY UNDER EXTREME DUSTY CONDITIONS. PATS. NOS. 248745, 2557236, 2557237 OTHER PATS. PENDING MADE IN U.S.A.

1A

USE GENUINE

**REPLACEMENT PARTS
FOR SERVICE INSTRUCTIONS
SEE OWNERS MANUAL**

1B

**USE ONLY AUTOMATIC
TRANSMISSION FLUID
TYPE "A"**

CHECK TRANSMISSION FLUID LEVEL TO FULL MARK ON INDICATOR WITH TRANSMISSION AT NORMAL OPERATING TEMPERATURE AND ENGINE ON SLOW IDLE WITH SELECTOR LEVER IN **D** POSITION

2

ENGINE OIL
NOT LOWER THAN 32°F SAE 20 or 20W
DOWN TO MINUS 10°F SAE 10W
BELOW MINUS 10°F SAE 5W

TIRE PRESSURE
TIRE SIZE FRONT LBS. REAR LBS.
6.70 X 15-4PLY 24 24

... and when service is needed
specify Genuine Ford Parts

5B

SERIAL NO.

THIS VEHICLE IS CONSTRUCTED UNDER UNITED STATES LETTER PATENT

2 131 729	2 310 418	2 417 581	2 511 484
2 136 880	2 390 719	2 422 846	2 515 408
2 270 123	2 415 849	2 526 933	2 619 190

OTHER PATENTS PENDING

BODY	COLOR	TRIM	PRODUCTION CODE

MADE IN U.S.A. BY REG. U.S. PATENT OFFICE

4A

SERIAL NUMBER

MADE IN U.S.A. BY REG. U.S. PAT. OFF.

BODY COLOR	TRIM	DATE	TRANS	AXLE

THIS VEHICLE IS CONSTRUCTED UNDER UNITED STATES LETTER PATENTS

2 270 122	2 500 719	2 628 833	2 677 572	2 708 594
2 290 827	2 672 829	2 631 606	2 677 574	2 726 894
2 310 416	2 617 651	2 639 928	2 698 012	

OTHER PATENTS PENDING

4B

**REMOVE COVER
FOR SUMMER
OPERATION**

8

FAC-12029-A

12 VOLTS 7113

USE WITH EXTERNAL RESISTOR

3

Thunderbird

14A

FAR-11001-A

STARTING MOTOR

12 VOLTS MADE IN U.S.A.

12B

Thunderbird Special

14B

FBY-10000-B

GENERATOR

15 V 30 A NEG GRD

6B

INSTRUCTIONS FOR REMOVING BLOWER & DUCT ASS'Y.

DISCONNECT THE BLOWER WIRES FROM HARNESS & GROUND.

- ① LOOSEN CLAMP SCREW & PULL FLEXIBLE DUCT OFF INLET DUCT
- ② ROTATE LOCKING LEVERS COUNTERCLOCKWISE & REMOVE INLET DUCT FROM HEATER CASE
- ③ GRASP BLOWER HOUSING & MOTOR & ROTATE IN DIRECTION OF ARROW UNTIL LOCKING PINS ARE CLEAR OF SLOTS IN BLOWER BRACKET. BLOWER CAN NOW BE LIFTED CLEAR OF ENGINE COMPARTMENT

TO INSTALL BLOWER & DUCT ASS'Y.-REVERSE ABOVE PROCEDURE

7

**LIFEGUARD
DESIGN**

10B

GEN OIL

17B

**FOR INSTRUCTIONS FOR
OPERATION AND CARE
OF FOLDING TOP, SEE
OWNERS MANUAL**

13

FAP-10505-B
REGULATOR

15 V 30 A NEG GRD

15B

12 VOLT MAR 23 1956

PAINT OK 232	PAINT OK 232	TESTED ROAD 512	TESTED ROAD 512
GLASS OK 332	TRIM OK 532	FINAL OK 259	

16B

RIGHT SIDE VIEW LUGGAGE COMPARTMENT
JACK STOWAGE

1. Place Jack Base over Clip (A).
2. Slide upper end of Column Assembly in Clip (C), placing lower end of Column on Jack Base Socket.
3. Insert Metal Hook of Hold Down Strap (B) into slot of Clip (A).
4. Slide Rubber Loop of Hold Down Strap over Load Hook on Jack and actuate Jack Mechanism "Up" to tighten Jack in position.
5. Slide Wheel Wrench under Spare Tire.
6. Wedge Jack Hook between Spare Tire and Wheel Well.

JACKING INSTRUCTIONS

1. Set Emergency Brake and put car in Reverse Gear (with Fordomatic set Selector Lever in Park position).
2. Place Jack Hook at Jacking Bar locations approximately 15" to 20" from center of bumper.
3. Insert Hook in Jack Body with Jack Column in vertical position as shown in illustration.
4. When jacking rear of car, block front wheel to prevent car from rolling.

NOTE: Lubricate Jack Mechanism at least Once Every Six Months.

9B

- 1001 Gasket, rear wheel bearing retainer90
- HWK 261A Backing plates to axle housing, 55/56 (16 pcs-2 sides)22.50
- HWK 261B Backing plates to axle housing, 57 (16 pcs-2 sides)39.95



1007W/1015W
Wire Wheel



1130P
Pan



1130PS
Pan & Spinner

- 1007-Tube 15" radial inner tube, each35.00
- 1007W Wire Wheel, 15" x 5. This is the wheel that was designed and built especially for the early Thunderbirds. These wheels have the correct off-set for fender skirt clearance, the proper fit against the brake drums so that spacers are not required and they require no special wheel nuts. For 14" wire wheel order 1015W.

- Wheel less pan and spinner**
- Tube type ...500.00ea. set of 41850.00
- Wheel with pan and spinner, specify color**
- Tube type...600.00ea. set of 42300.00

- NOTE•• See #1130PR and 1130PSR for pans and spinner.
- 1012 Wheel nut50
- 1015-Tube 14" radial inner tube, each35.00
- 1015W Wire Wheel, 14" x 5. See 1007W for price.
- 1102A Drum only, front, 55/56, Made in U.S.A.139.95
- 1102B Drum only, front, 57, Made in U.S.A.139.95
- 1107 Stud, front & rear hub & spare carrier on 56, orig. drums1.90
- 1107B Stud, front and rear hub, use with replacement drums1.75
- 1126A Drum, rear 55/56, Made in U.S.A.139.95
- 1126B Drum, rear 57, Made in U.S.A.139.95



1130A - Hubcap



1130B - Hubcap



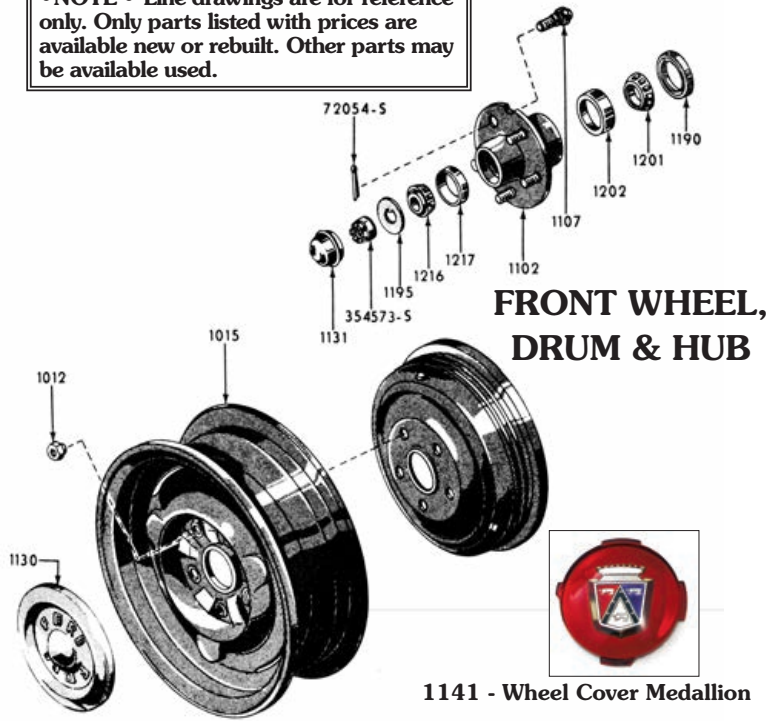
1130C - Hubcap



1130E - Hubcap

- 1130A Hubcap, 55/56, with 1141 red center, full size99.95
- 1130B Hubcap, 57, full size89.95
- 1130C Hubcap, 10" with red center, 5542.75
- 1130D Hubcap, 10" with white center, 5642.75
- 1130E Simulated wire wheel cover, 55/5698.95
- 1130EK4 Set of 4 simulated wire wheel covers, 10" button hubcaps (specify color) and attaching clips550.00
- 1130EK5 Set of 5 simulated wire wheel covers, 10" button hubcaps (specify color) and attaching clips687.50
- 1130F 55/56 clipless simulated wire wheel cover143.95
- 1130FK4RD 55 Set of 4 clipless simulated wire wheel covers & 10" red button hubcaps714.00
- 1130FK4WT 56 Set of 4 clipless simulated wire wheel covers & 10" white button hubcaps714.00
- 1130FK5RD 55 Set of 5 clipless simulated wire wheel covers & 10" red button hubcaps892.50
- 1130FK5WT 56 Set of 5 clipless simulated wire wheel covers & 10" white button hubcaps892.50
- 1131R Black spinner insert29.95
- 1130IRED Red spinner insert29.95
- 1130P Pan, stainless steel, for wire wheel32.00
- 1130PS Pan and spinner, for wire wheel, chrome with your choice of either black, blue, red or emerald green insert74.95
- 1131 Dust cap, front hub2.95
- 1132 Tool, 56 con't kit wheel cover remover10.45

•NOTE• Line drawings are for reference only. Only parts listed with prices are available new or rebuilt. Other parts may be available used.



FRONT WHEEL, DRUM & HUB

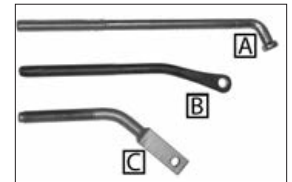


1141 - Wheel Cover Medallion

- 1141 Medallion, wheel cover, red plastic, 55/56, each22.00
- 1150 Clip for attaching 1130E, 55/56, 5 req'd. per wheel3.65
- 1150R Clip for attaching 1130E, w/ bumper, 55/56, 5 req'd. per wheel3.95
- 1151 Bumper for wire wheel clip, 55/5650
- 1177 Seal, rear axle bearing, inner5.95
- 1180 Rear wheel bearing retainer8.95
- 1190 Seal, front wheel bearing2.70
- 1193 Gasket, front backing plate1.00
- 1195 Washer, special, front spindle8.50
- 1200AK Kit, axle & pinion seal, contains 2-1177, 2-1190, 4-1001, & 1-4676, 55/5625.65
- 1200BK Kit, same as above, 57 only35.20
- 1201 Bearing and race, front wheel, inner8.95
- 1202 Included in 1201
- 1216 Bearing and race, front wheel, outer7.95
- 1217 Included in 1216
- 1225 Bearing, rear axle, includes 1180 retainer29.95
- HWK 261B Backing plates to axle housing, 57 (16 pcs-2 sides)39.95
- 1352 Stone Guard, spare wheel, (less seals), 56, fiberglass169.95
- 1352A Seal set, 56 spare wheel stone guard, consisting of 1 ea.-1357, 1362, 1363 and 4033216.75
- 1354A Grommet set, 56 spare wheel hinge9.40
- 1386C Lever ass'y, 56 Con't. Kit, aluminum125.00
- HWK 142 Con't. Kit Hinge & latch ass'y to body, 56 (24 pcs)5.50
- 1406M Tire cover, 56 spare wheel, metal179.00
- 1406F Tire cover, 56 spare wheel, fiberglass139.95
- 1424 Mounting plate, spare tire, 5732.95

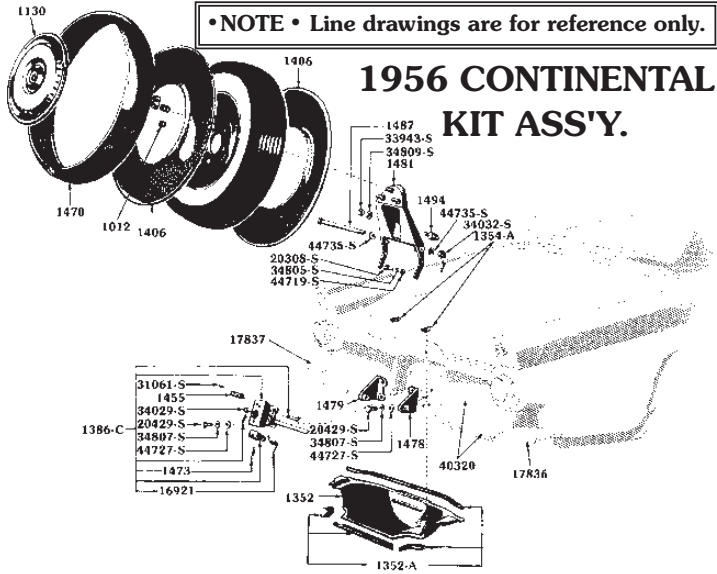


1446 Plate



1448 Bolt

- 1446 Plate, spare tire, 554.10
- 1448A Bolt, spare wheel carrier, 558.35
- 1448B Bolt, spare wheel carrier, 6-3/8", 5715.95
- 1448C Bolt, spare wheel carrier, 5-1/2", 5715.95
- NOTE•• For floor brackets see 11215



•NOTE • Line drawings are for reference only.

1956 CONTINENTAL KIT ASS'Y.

•HWK 99
1455

Spare hold down clevis pins, washers & clips, 57 (6 pcs)1.90
Bumper, con't kit hinge4.95



1457



1457R

Spare Tire Wing Nuts

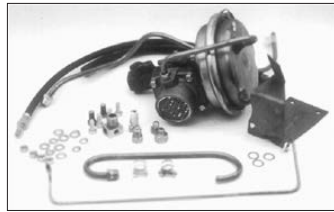
- 1457 Wing nut tire hold down, repl. type 55 or 572.25
- 1457R Wing nut, spare tire hold down, as original, 55 or 5710.00
- 1470C Retainer ring, spare wheel cover, 56, chrome495.00
- 1470F Retainer ring, spare wheel cover, 56, fiberglass139.95
- 1470M Retainer ring, spare wheel cover, 56, metal as original225.00
- 1473E Spring, Con't. Kit latch7.20
- 1475 Auxiliary spring for 1470 ring25.00
- 1478 Bracket set, spare wheel carrier, 5699.95
- 1481K Hinge ass'y, Con't. Kit, 56, includes 1478, 1479, 1481 and 1487129.95
- 1487 Bolt kit, spare wheel hinge, 56, contains 1-1487, 1-34032-S, 2-44735-S10.45
- 1494 Dowel, spare wheel hinge, 56, includes washer and nut15.95

BRAKES



2005AX

Power Brake Booster



2005K

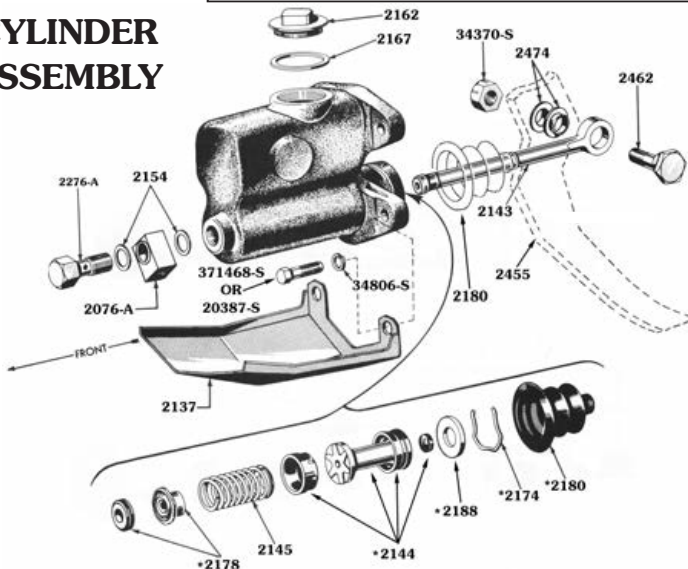
Power Brake Kit

- 2004 Kit, master cylinder repair29.95
- 2005 Booster, power brake, new, less 2365 check valve425.00
- 2005AX Booster, rebuilt, less 2365 check valve, exchange only299.95
- NOTE•• Extra charge if your booster core does not have the proper "C" shaped vacuum line10.45
- NOTE•• For booster diaphragm see P/N 2394

- HWK 202A Pr. brake booster bracket to fender (12 pcs), 551.95
- HWK 202B Pr. brake booster bracket to fender (16 pcs), 56/572.95
- HWK 203 Pr. brake booster to bracket (4 pcs)1.05
- 2005E Clip, for power brake vacuum line at 9180 fuel bracket1.85
- 2005 Kit, power brake installation kit with new booster. Everything needed to put power brakes on your car.
- 2005AK 55 kit595.00
- 2005BK 56 kit595.00
- 2005CK 57 kit595.00

MASTER CYLINDER ASSEMBLY

•NOTE • Line drawings are for reference only.



- 2018A Brake shoe and lining set, front axle set 55/56. For rear set see 221839.95
- 2018B Brake shoe and lining set, front axle set 57. For rear set see 221839.95



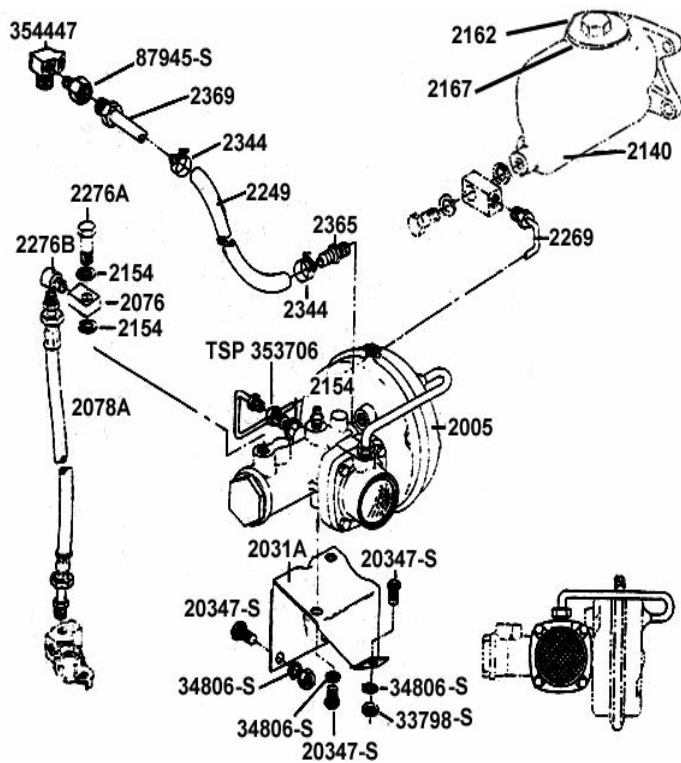
2018A - Brake Shoe and Lining Set



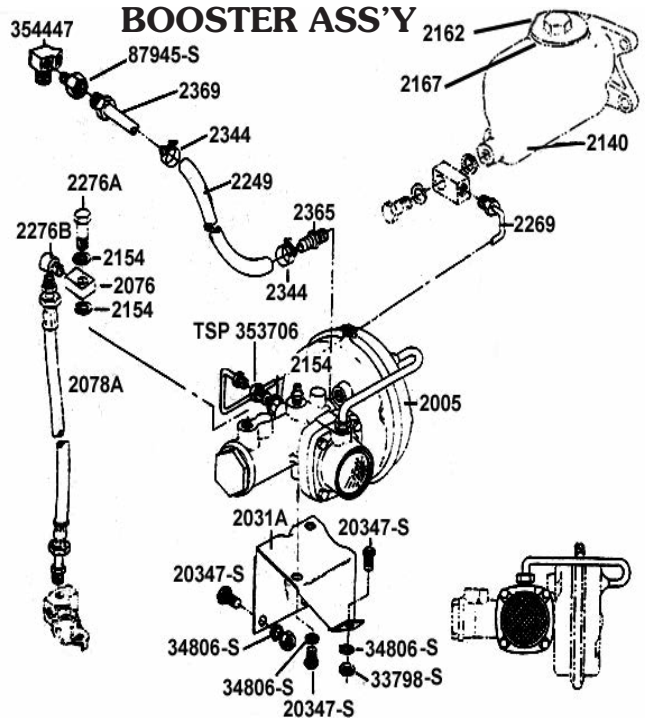
2019 Brake Overhaul Kit

- 2019 Brake overhaul kit, consisting of 1-2018, 1-2218, 1-2061, 1-2062, 1-2261, 1-2262, 1-2095, 2-2A601, 5-2149, 2-2078 & 1-2282,212.95
- 2019AK 55 Brake overhaul kit212.95
- 2019BK 56 Brake overhaul kit212.95
- 2019CK 57 Brake overhaul kit212.95

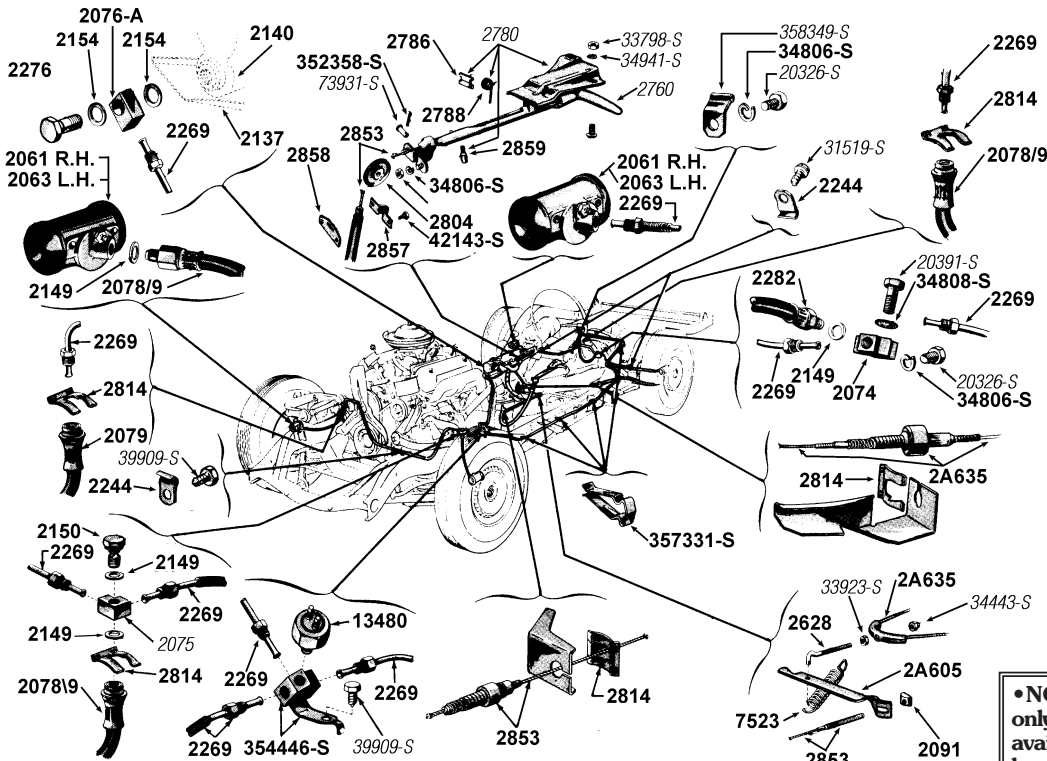
1955 POWER BRAKE BOOSTER ASS'Y



1956/57 POWER BRAKE BOOSTER ASS'Y



THUNDERBIRD BRAKE SYSTEM



FRONT DISC BRAKE CONVERSION KITS

Kit includes:
Rotors, 4 piston loaded calipers, bearings, bearing spacer, seals, rear wheel cylinders, caliper mounting brackets, master cylinder, and line kit. All hardware included, Grade 8 nuts, bolts & washers.

2B123B Disc Brake Kit1095.00
•NOTE• Replacement parts availableCALL

•NOTE • Line drawings are for reference only. Only parts listed with prices are available new or rebuilt. Other parts may be available used.



2031A



2031B

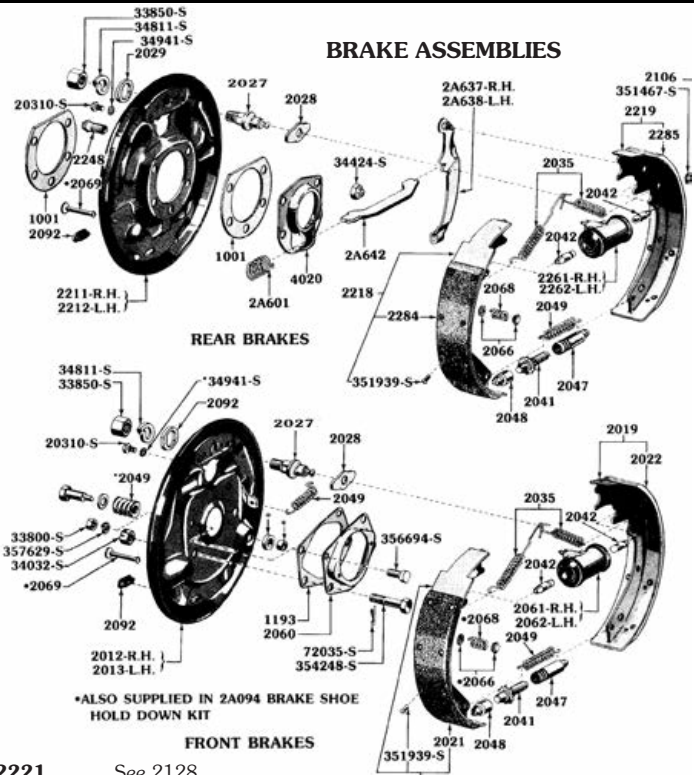


2095AK

Power Brake Booster Brackets

2031A	Bracket, power brake booster mounting, 55	49.75
2031B	Bracket, power brake booster mounting, 56/57.....	49.75
•HWK 202A	Pr. brake booster bracket to fender, 55, (12 pcs)	1.95
•HWK 202B	Pr. brake booster bracket to fender, 56/57, (16 pcs)	2.95
•HWK 203	Pr. brake booster to bracket (4 pcs)	1.05
2035	Spring, brake shoe retracting	1.50
2035B	57 front brake helper spring, each.....	2.50
2041	Adjusting screw kit, consists of 1-2041, 1-2047 & 1-2048	9.95
2042	Link, brake shoe to cylinder	5.50
2047	See 2041	
2048	See 2041	
2049	Spring, brake adjusting screw.....	2.50
2061	Cylinder, front brake RH.....	20.95
2062	Cylinder, front brake LH.....	20.95
•HWK 260	Wheel cylinders to backing plates (16 pcs-all 4).....	2.95
2066	Cup, brake shoe hold down spring.....	.30
2068A	Spring, brake shoe hold down, front.....	1.25
2069A	Pin #1, shoe hold down, front.....	.50
2069B	Pin #2, shoe hold down, rear 55/56.....	.50
2069C	Pin #8, shoe hold down, rear 57.....	.50
2073	Bracket, rear brake hose, with bolt, 57.....	10.45
2074A	Brass block, rear brake, 55/56.....	59.95
2074B	Brass block, rear brake, 57.....	49.95
2075	Brass connector block, LH front brake,	15.65
2076A	Brass connector block at master cylinder	9.95
2076B	Brass connector block at disk booster.....	9.95
2078A	Hose, power brake flex, booster to block on frame	21.95
2078	Hose, front brake, RH or LH.....	14.35
2091	Nut, parking brake equalizer lever.....	4.50
2B091RV	Residual valve for disk brake.....	29.95
2092	Cover, brake adjusting hole.....	.40
2095AK	Kit, front brake shoe springs and hold down parts; includes 2-2A094, 4-2035, 2-2049, 2-2092	16.95
2095BK	Kit, rear brake shoe springs and hold down parts; includes same as above, except add 2-2106, and 2-351467 ..	16.95
2095CK	Kit, front and rear brake shoe springs and hold down parts; includes 2095AK and 2095BK.....	32.95
2106	Retainer, parking brake lever horse shoe clip.....	.40
2128A	Kit, brake cylinder repair, front 55/57	6.55
2128B	Kit, brake cylinder repair, rear 55.....	6.55
2128C	Kit, brake cylinder repair, rear 56/57	6.55
2129AK	Kit, front and rear wheel cyl, repair; cups and seals for all 4 wheels, 55	25.50
2129BK	Kit, front and rear wheel cyl, repair; cups and seals for all 4 wheels, 56/57.....	25.50
2137B	Drip tray, master cylinder, stainless, late 55/57	19.95
2137L	Drip tray, master cylinder, disc brake.....	20.95
2140	Master cylinder, less push rod, with slot.....	79.95
•HWK 201	Master cylinder to firewall (8pcs).....	2.25
2142	Nylon end, master cylinder push rod	5.95
2143	Master cyl. push rod	19.95
2143K	Push rod kit, includes 2143 push rod, 2142 nylon end + 2-2474 bushings.....	32.30
2149	Gasket, brake line, copper(also 9" rear-end pumpkin).....	.70
2150	Bolt, brass block at left front brake hose.....	5.20
2154	Washer, brake fittings, copper.....	.85
2162	Cap, master cylinder filler	9.95
2162R	Cap, master cylinder, with "BB" on cap with gasket	41.95
ACC 56	Master cylinder cap wrench.....	8.95
2167	Gasket, master cylinder filler cap.....	1.00
2180	Boot, master cylinder	3.95
2208	Screw, bleeder, wheel cylinder and P/B unit	1.50
2218A	Brake shoe & lining set, rear axle set 55/56. For front set see 2018.....	45.95
2218B	Same as 2218A except for 57	45.95

Brake Hardware Kit



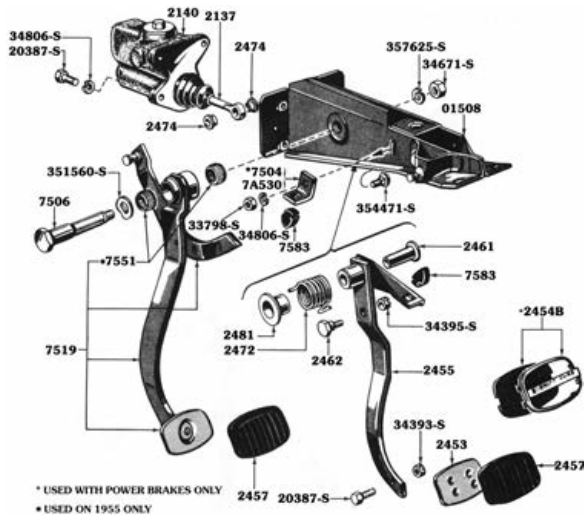
2221	See 2128	
2244A	Clip, brake line to frame and axles.....	1.65
2249A	Hose, power brake booster to vacuum line, rubber	4.50
2249B	Hose, power brake booster to vacuum line, rubber, dual carburetor	4.95
2261A	Cylinder, rear brake RH, 55.....	18.65
2261B	Cylinder, rear brake LH, 56/57	18.65
2262A	Cylinder, rear brake LH, 55.....	18.65
2262B	Cylinder, rear brake LH, 56/57	18.65
•HWK 260	Wheel cylinders to backing plates (16 pcs-all 4).....	2.95
2269A	Spring, rear brake lines, pair.....	2.95



2269-1A - Brake Line

2269-1A	Brake line, steel, master cylinder to frame block, manual.....	14.95
2269-1ASS	Brake line, stainless steel, as above.....	22.40
2269-1B	Brake line, steel, master cylinder to power brake booster, 55	10.95
2269-1BSS	Brake line, stainless steel, as above	16.40
2269-1C	Brake line, steel, master cylinder to power brake booster, 56	10.95
2269-1CSS	Brake line, stainless steel, as above	16.40
2269-1D	Brake line, steel, master cylinder to power brake booster, 57	10.95
2269-1DSS	Brake line, stainless steel, as above	16.40
2269-2	Brake line, steel crossover line under engine.....	21.95
2269-2SS	Brake line, stainless steel, as above	32.90
2269-3	Brake line, steel, 12" line between frame block and L/F wheel brass connector	14.95
2269-3SS	Brake line, stainless steel, as above	19.40
2269-4	Brake line, steel, brass block on frame to midpoint on frame.....	21.95
2269-4SS	Brake line, stainless steel, as above	32.90
2269-5A	Brake line, steel, midpoint on frame to rear brake hose, 55	29.95
2269-5ASS	Brake line, stainless steel, as above	44.90
2269-5B	Same as 2269-5A, 56.....	29.95
2269-5BSS	Same as 2269-5ASS, 56.....	44.90
2269-5C	Same as 2269-5A, 57.....	29.95

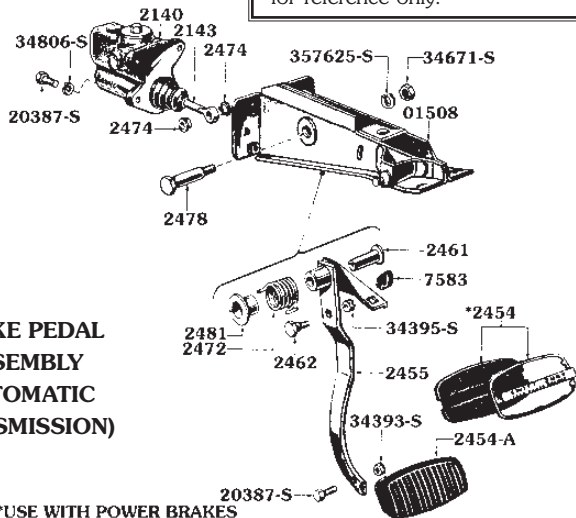
BRAKE & CLUTCH PEDAL ASSEMBLY



* USED WITH POWER BRAKES ONLY
 * USED ON 1955 ONLY

- 2269-5CSS Same as 2269-5ASS, 57.....44.90
- 2269-6A Brake line, steel, rear axle housing, LH, 55/56.....12.95
- 2269-6ASS Brake line, stainless steel, as above.....22.40
- 2269-6B Brake line, steel, rear axle housing, LH, 57.....12.95
- 2269-6BSS Brake line, stainless steel, as above.....22.40
- 2269-7A Brake line, steel, rear axle housing, RH, 55/56.....19.95
- 2269-7ASS Brake line, stainless steel, as above.....37.40
- 2269-7B Brake line, steel, rear axle housing, RH, 57.....19.95
- 2269-7BSS Brake line, stainless steel, as above.....37.40
- 2269AK Kit, brake lines, 7 pcs, 55, specify manual or pr. brakes.....115.50
- 2269AKSS Kit, stainless steel, as above.....173.50
- 2269BK Kit, brake lines, 7 pcs, 56, specify manual or pr. brakes.....115.50
- 2269BKSS Kit, stainless steel, as above.....173.50
- 2269CK Kit, brake lines, 7 pcs, 57, specify manual or pr. brakes.....115.50
- 2269CKSS Kit, stainless steel, as above.....173.50
- HWK 262 Rear brake pipe connector to axle housing, 55/56 (4 pcs).....1.25
- NOTE•• All of the brake lines are made from high quality steel brake line tubing with double flared ends and steel flare fittings. The lines have the original style steel spring protectors, steel sheathing protectors and loom material in the proper places. Caution must be used when installing to insure proper seating of the flared ends to avoid leakage. Thunderbird Headquarters assumes no responsibility for improperly installed or altered lines.
- 357331S Clip, brake line to frame, 3 req'd.....2.50
- 2276A Bolt, brake fitting.....14.95
- 2276B Brass elbow fitting, at brake booster.....2.95
- 2282 Hose, rear brake, with correct size seat.....19.95

•NOTE• Line drawings are for reference only.



BRAKE PEDAL ASSEMBLY (AUTOMATIC TRANSMISSION)

*USE WITH POWER BRAKES

- 2365 Check valve, pr. brake booster, replacement type.....21.95
- 2369A Vacuum line, power brake booster to manifold, 55.....19.95
- 2369ASS As above, s/s.....29.95
- 2369B Vacuum line, power brake booster to manifold, 56.....19.95
- 2369BSS As above, s/s.....29.95
- 2369C Vacuum line, power brake booster to manifold, 57.....19.95
- 2369CSS As above, s/s.....29.95
- 2369E As above, for 57 dual 4 bbl. setup.....8.95
- 2369ESS As above, for 57 dual 4 bbl. setup, s/s.....10.95
- NOTE•• For brass manifold vacuum blocks see #354447S
- 2377 Rod, power brake booster, large diaphragm.....7.25
- 2394 Diaphragm and pressure plate, pr. brake booster cylinder.....69.95
- 2420A Vacuum line, "C" line on power brake booster.....10.45
- 2420ASS Vacuum line, "C" line on power brake booster, s/s.....14.65
- 2420B As above, with vacuum restrictor as orig.....12.95
- 2420BSS As above, with vacuum restrictor as orig., s/s.....16.95



- 2454A Pad, brake pedal with F/M.....19.50
- 2454B Pad, brake pedal, use w/ 2454C band.....29.00
- 2454C Band, Swift Sure brake, use w/ 2454B.....14.95
- 2454D Pad, brake pedal, power brake, F/M, RE.....22.50
- HWK 149 Brake pedal to pedal arm (3 pcs).....1.05
- HWK 150 Brake pedal bracket to dash, firewall & cowl (8 pcs).....1.95
- 2457 Pad, brake & clutch pedals, slip on type, Ford replacement for 55 & 56, original for 57.....5.95
- 2457A Pad, brake & clutch pedals, slip on type, original for 55/56, exact reproduction.....12.50
- 2461 Bushing, brake pedal.....12.00
- 2A642A Link for parking brake lever to shoe, each.....19.95
- 2462 Bolt, master cylinder link rod.....17.50
- 2474 Bushing, master cylinder push rod, 2 req, each.....5.00
- 2481 Bushing, brake pedal.....19.95
- 2A601 Spring, parking brake link.....4.95
- 2A602 Parking brake cable holder.....29.95
- 2A605 Lever, parking brake equalizer.....15.70
- 2628 Rod, parking brake equalizer.....10.95



- 2A635A Emergency brake cable, rear, 55/56.....35.95
- 2A635B Emergency brake cable, rear, 57.....35.95
- HWK 156 Emergency brake cable bracket to firewall (2 pcs)......75
- HWK 157 Emergency brake ass'y to firewall (4 pcs)......75
- 2A637 Emergency brake lever, RH.....34.95
- 2A638 Emergency brake lever, LH.....34.95
- 2780 Handle, emergency brake.....49.95
- 2786 Pawl, parking brake ratchet bar.....7.95
- 2788 Spring, parking brake ratchet bar pawl locking.....2.95

2804	Pulley, parking brake cable	20.00
2804C	Cover, parking brake pulley, mounts to firewall.....	34.95
2805	Clip, parking brake cover.....	5.25
2814A	Clip, parking brake cable to frame.....	2.00
2814B	Clip, brake hose to frame	1.20
2853	Front parking brake cable ass'y	35.95
2857	Clamp, emerg. brake cable to firewall.....	3.50
2858	Retainer, parking brake cable at firewall.....	3.65
2859	Pin, parking brake lever.....	2.60
3A006	Cap, power steering oil reservoir filler	19.95
3A006A	Gasket, pr. steering reservoir cap	1.50
3019	Bumper, lower A arm, RH.....	8.50
3020A	Bumper, lower A arm, LH.....	8.50
3020B	Bumper, upper A arm, RH & LH.....	5.95



3021K - Front Suspension Bumpers

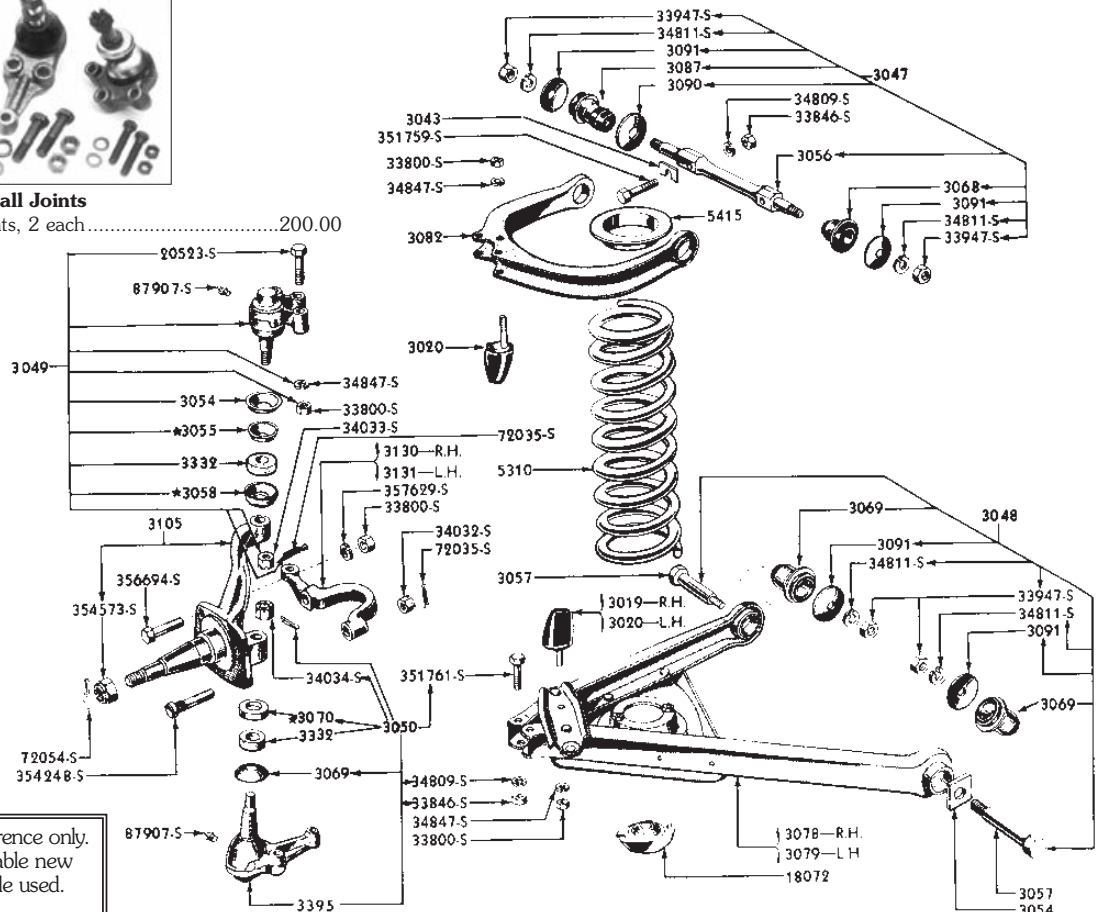
3021K	Front suspension bumpers (4 pcs)	27.95
•HWK 255	A frame arm bumpers to A frames (8 pcs-2 sides).....	1.75
3043	Shim, for caster and camber alignment on upper control arm shaft. Specify thickness (1/64, 1/32, 1/16 & 1/8).....	50
•HWK 257	Upper A frame arms to frame (12 pcs-2 sides).....	6.95
3047	Shaft, upper control arm, each	30.00
3048K	Felt and washer set, ball joints, does all four.....	20.95
3049	Upper ball joint, each.....	50.00
•HWK 248	Upper ball joints to upper A arm (16 pcs-2 sides).....	4.50
3050	Lower ball joint, each.....	50.00
•HWK 249	Lower ball joints to lower A arms (12 pcs-2 sides).....	7.70



3051K - Ball Joints

3051K	Kit, upper and lower ball joints, 2 each.....	200.00
--------------	---	--------

FRONT SPINDLE AND SUSPENSION (RIGHT SIDE VIEW)



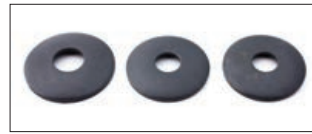
•NOTE • Line drawings are for reference only. Only parts listed with prices are available new or rebuilt. Other parts may be available used.

3054K	Upper ball joint washer and felt kit, 2 req'd	6.45
3055	Lower A arm bushing sleeve.....	9.95
3057	Bolt, lower control arm.....	34.95
3068	Bushing, front suspension upper arm inner shaft, front.....	5.95
3069	Bushing, front suspension lower mounting bolt.....	6.25
3069K	Lower ball joint washer and felt kit, 2 req'd	5.65



3070K - Front Suspension Bushings

3070K	Kit, front suspension bushing, contains: 2-3068, 4-3069 & 2-3087	43.65
3087	Bushing, front suspension upper arm inner shaft, rear	5.50



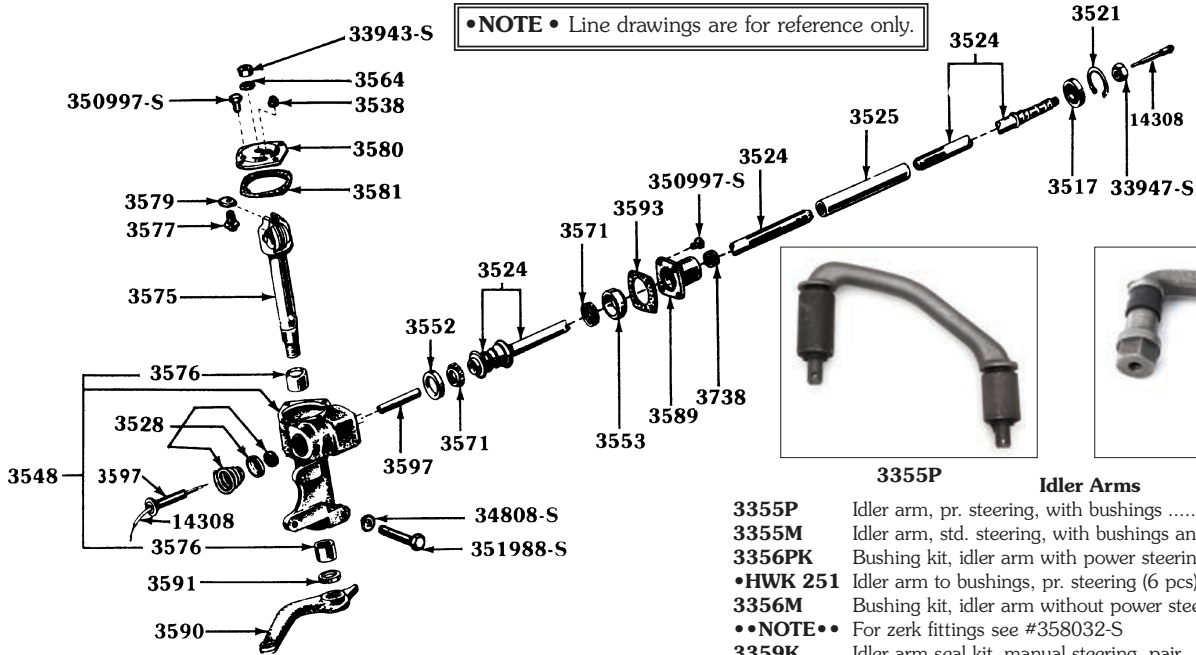
3090PK - Washer Kit



3A130 - Tie Rod End

3090PK	Washer kit, upper A. arm, plain finish, (3 pcs).....	6.50
3090ZK	Washer kit, upper A. arm, zinc plated, (3 pcs).....	6.50
3091PK	Washer kit, lower A. arm, plain finish, (2 pcs).....	4.25
3091ZK	Washer kit, lower A. arm, zinc plated, (2 pcs).....	4.25
3092PK	Washer kit, upper & lower A. arms, plain, (10 pcs).....	19.95
3092ZK	Washer kit, upper & lower A. arms, zinc, (10 pcs).....	19.95
3A130	Tie rod end.....	15.95

•NOTE• Line drawings are for reference only.



3355P Idler Arms 3355M

- 3355P Idler arm, pr. steering, with bushings62.95
- 3355M Idler arm, std. steering, with bushings and seals.....61.95
- 3356PK Bushing kit, idler arm with power steering.....8.30
- HWK 251 Idler arm to bushings, pr. steering (6 pcs)2.75
- 3356M Bushing kit, idler arm without power steering.....11.95
- NOTE•• For zerk fittings see #358032-S
- 3359K Idler arm seal kit, manual steering, pair2.95
- 3400 Front End Rebuild Kit includes 2 upper ball joints, 2 lower ball joints, 1 correct set ball joint washers, 2 inner and 2 outer tie rods with sleeves, upper and lower bumpers, 8 control arm bushings with a set of correct washers, plain or zinc plated, 2 sway bar links and 2 sway bar mounting bushings, coil spring insulator pads and idler arm bushings, order either manual or power steering.
- 3400AK 55/57 manual steering with plain washers.....495.00
- 3400BK 55/57 manual steering with zinc plated washers495.00
- 3400CK 55/57 power steering with plain washers495.00
- 3400DK 55/57 power steering with zinc plated washers495.00



3280 - Tie Rod

- 3280 Tie rod, RH 55/5749.50
- 3281 Tie rod, LH 55/57.....49.50
- NOTE•• For 1955 you must also replace both 3A130
- HWK 1 Tie rods & ends to drag link & spindle arms (8 pcs-2 sides)3.95



3304PS - Drag Link

- 3304PS Drag link, power steering225.00



3310 - Tie Rod Adjusting Sleeve

- 3310 Sleeve, tie rod to tie rod end11.50
- 3332A Seal, tie rods and ends, original type2.05
- 3332B Seal, pitman arm ball stud95

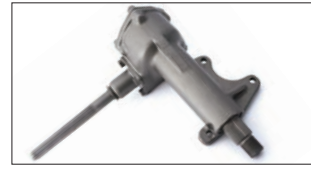


3A351K - Crush Nut

- 3A351K Crush nut, with hardware and instructions4.25
- 3351M Bracket, manual steering idler arm mounting.....15.00
- 3351P Bracket, power steering idler arm mounting104.95
- HWK 250A Idler arm bracket to frame, pr. steering (9 pcs).....3.95
- HWK 250B Idler arm bracket to frame, manual steering (6pcs).....2.95



3351P - Idler Arm Bracket



3504AX



3511A



3511B

- 3504AX Steering gear box, rebuilt, 55, exchange only550.00
- 3504BX Steering gear box, rebuilt, 56/57, exchange only550.00
- NOTE•• Returned Cores must be completely drained
- HWK 252 Steering box to frame (6 pcs).....4.95
- 3511A Steering column, hub, 5543.95
- 3511B Steering column, hub, 56/5743.95
- 3C511 Bracket, cast, power steering pump mounting39.95
- NOTE•• For mounting bolt see 354126
- 3512 Grommet, steering column.....8.20



3511



3526A



3526B



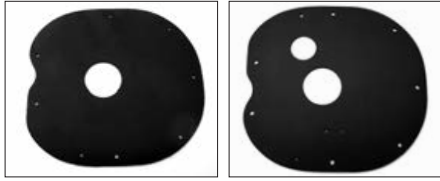
3669A



3669B



3A673



3513A
3513B
Steering Column Seal

- 3513A** Seal, steering column, F/M trans4.50
- 3513B** Seal, steering column, S/T trans4.50
- HWK 95** Steering column seal plates to firewall (9 pcs)1.90
- 3517** Bearing, upper steering shaft33.95



3524D - Steering Shaft

- 3524D** Shaft, steering, lower, 12-1/2" long, splined95.00



3525K - Steering Gear Kit

- 3525K** Kit, steering gear, (consisting of 2-3576, 1-3591, 1-3581, 1-3552, 1-3553, 2-3571, 6-3593, 1-3738) 55 two tooth sector type102.95
- 3525AK** 56/57 three tooth sector type102.95
- 3525BK** 56/57 three tooth sector type102.95
- 3526A** Steering column adjusting sleeve, 5543.95
- 3526B** Steering column adjusting sleeve, 56/5743.95
- ACC 57** Steering column collar wrench44.95
- 3A533B** Kit, power steering ball stud repair, 5732.95
- 33538** Filter, power steering pump reservoir12.50

**NEW RAMS
NOW
AVAILABLE**

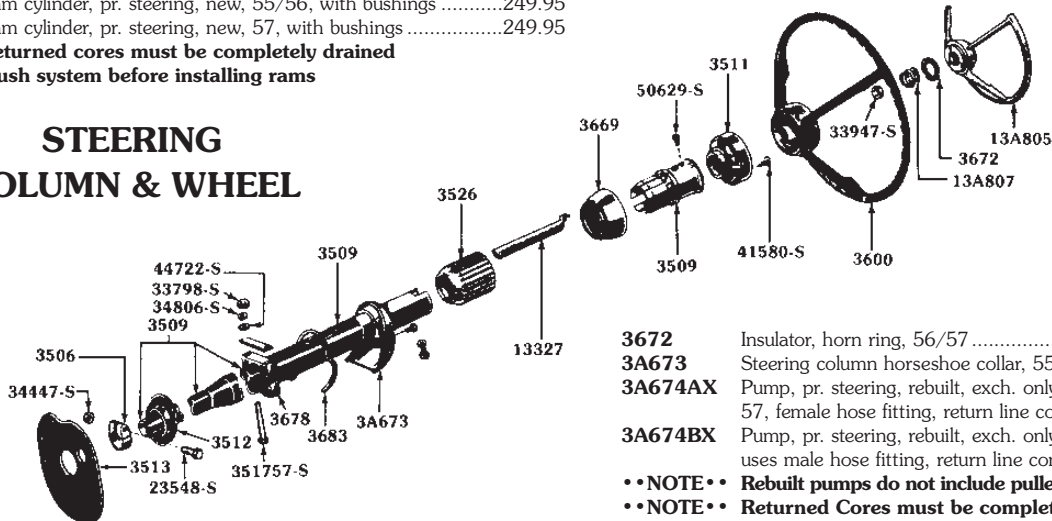


3A540B - Ram Cylinder

- 3A540AAX** Ram cylinder, pr. steering, rebuilt, early 55, w/external tube179.95
- 3A540AX** Ram cylinder, pr. steering, rebuilt, 55/56179.95
- 3A540BX** Ram cylinder, pr. steering, rebuilt, 57179.95
- 3A540A** Ram cylinder, pr. steering, new, 55/56, with bushings249.95
- 3A540B** Ram cylinder, pr. steering, new, 57, with bushings249.95

- NOTE••** Returned cores must be completely drained
- NOTE••** Flush system before installing rams

STEERING COLUMN & WHEEL



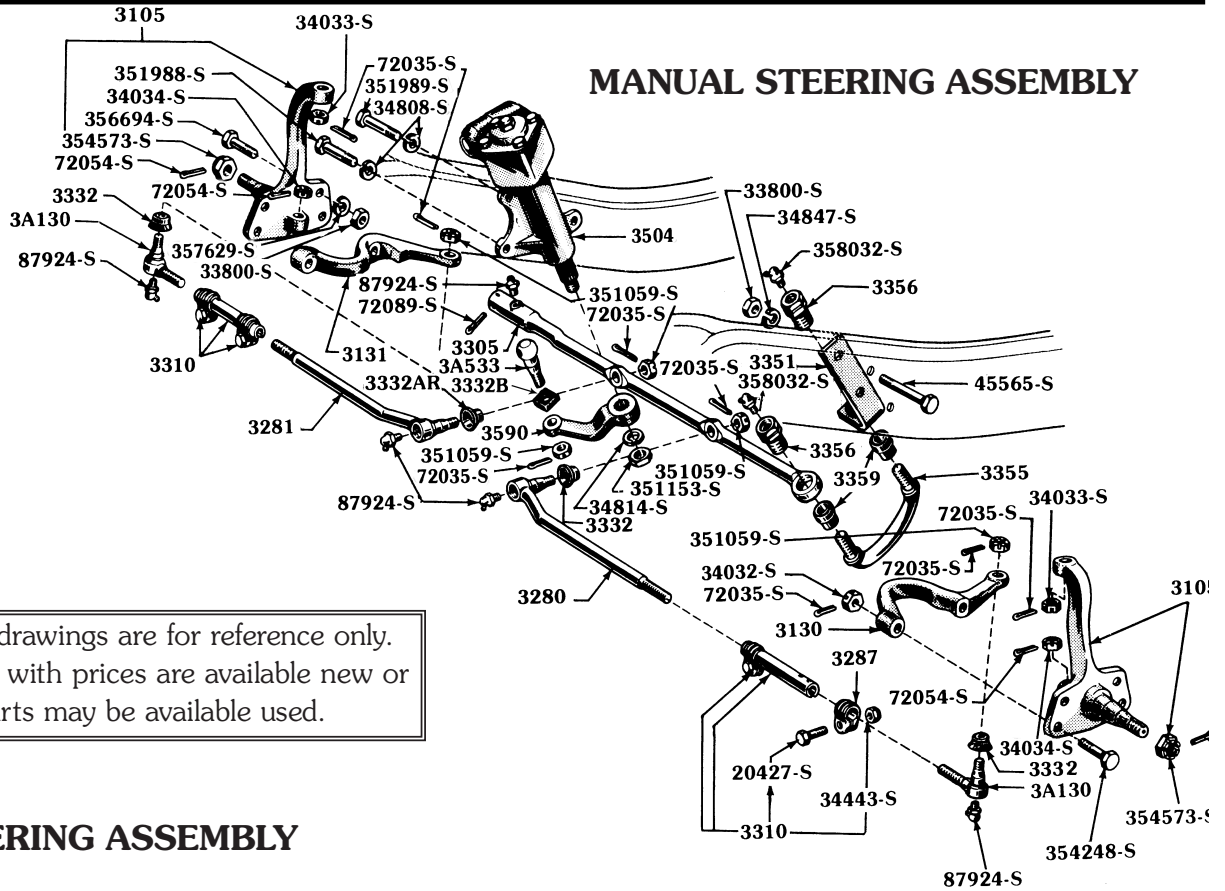
3A674

- 33547** Seal, power steering can to pump1.20
- 3552** Cup, steering worm bearing, lower12.00
- 3553** Cup, steering worm bearing, upper34.95
- 3562** Bracket, pr. steering pump to exhaust manifold45.95
- 3B563A** Reinforcement plate, for P/S reservoir can, 4 hole, 55/575.95
- 3B563B** Reinforcement plate, for P/S reservoir can, 2 hole, late 575.95
- 3571** Bearing, steering worm roller thrust bearing11.00
- 3576A** Bearing steering sector shaft, 55 two tooth12.00
- 3576B** Bearing steering sector shaft, 56/57 three tooth15.00
- 3577** Screw, sector shaft adjusting6.00
- 3581** Gasket, steering sector housing or housing cover1.30
- 3A582** Cover lid, P/S reservoir can, 55/5722.95
- 3B584** Kit, power steering pump, seal and gasket19.95
- 3588K** Kit, power steering ram cylinder seal and mount. Contains 1-3C589BK, 1-3C590 and 1-3A764
Early 5525.95
- 3588AAK** 55/5625.95
- 3588BK** 5729.95
- 3C589BK** Bushings only, pr. steering cyl. end mounting, pair3.50
- 3C590A** Kit, pr. steering piston rod end bushings, 55/569.95
- 3C590B** Kit, pr. steering piston rod end bushings, 577.50
- 3C590C** Pr. Stg ram mounting kit, includes 3C590A, 3C590BK, large washers and nuts, 55/5617.95
- 3591A** Seal, sector, 2 tooth14.95
- 3591B** Seal, sector, 3 tooth9.95
- 3593A** Gasket, shim, .002" thickness75
- 3593C** Gasket, shim, .010" thickness75
- 3597** Plate and tube ass'y, steering gear housing end9.65
- 3600R** New 15" steering wheel w/ horn ring, 56/57, black369.00
- 3600D** Steering Wheel, 56/57 black319.95
- 3600E** Steering Wheel, 56 peacock319.95
- 3600F** Steering Wheel, 56 red319.95
- 3600I** Steering Wheel, 57 red319.95
- 3600J** Steering Wheel, 57 white315.95
- 3600K** Steering Wheel, 57 blue319.95
- 3600X** Steering Wheel, 56/57 unpainted319.95
- 3A609** Insulator, power steering hose bracket5.50
- 3A610** Bracket and retainer, power steering hose to frame. Includes: 1-3A610, 1-3A611, with attaching hardware19.95
- 3A642** Gasket, pr. steering reservoir lid2.95
- 3A650AA** Kit, power steering control valve seal, early 55 NOS19.95
- 3A650A** Kit, power steering control valve seal, 55/5634.95
- 3A650B** Kit, power steering control valve seal, 579.95
- 3C667A** Filter holder, power steering pump, for 3A674AX12.95
- 3C667B** Filter holder, power steering pump, for 3A674BX12.95
- 3669A** Steering column collar, 5543.95
- 3669B** Steering column collar, 56/5743.95

•NOTE• Line drawings are for reference only.

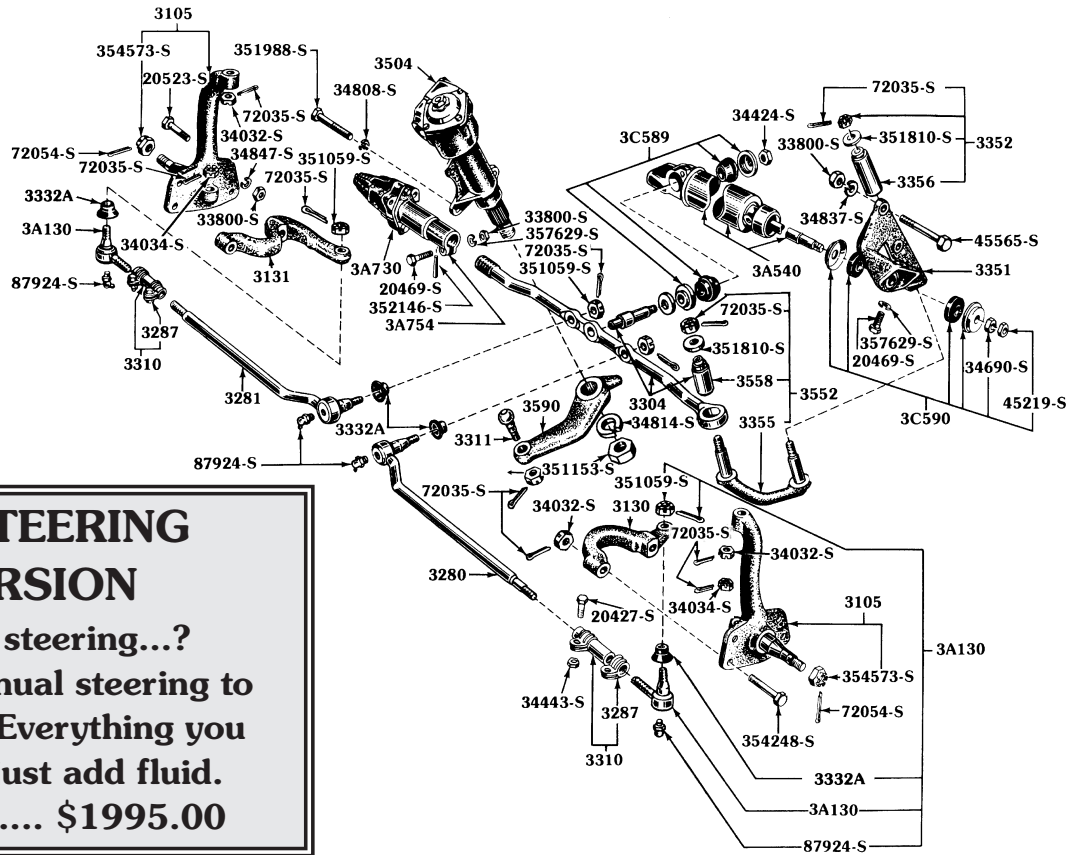
- 3672** Insulator, horn ring, 56/571.00
- 3A673** Steering column horseshoe collar, 55/5743.95
- 3A674AX** Pump, pr. steering, rebuilt, exch. only, 55/56 and early 57, female hose fitting, return line connects to pump139.95
- 3A674BX** Pump, pr. steering, rebuilt, exch. only, late 57 type, uses male hose fitting, return line connects to can139.95
- NOTE••** Rebuilt pumps do not include pulley, reservoir ...can or brackets.
- NOTE••** Returned Cores must be completely drained
- 3683A** Insulator, steering column bracket, at dash, black, 56/574.15
- 3683B** Insulator, steering column bracket, at dash, white, 554.15
- HWK 122** Steering column collar to dash (4 pcs)1.65
- 3B688** Spring, P/S filter retaining3.50

MANUAL STEERING ASSEMBLY

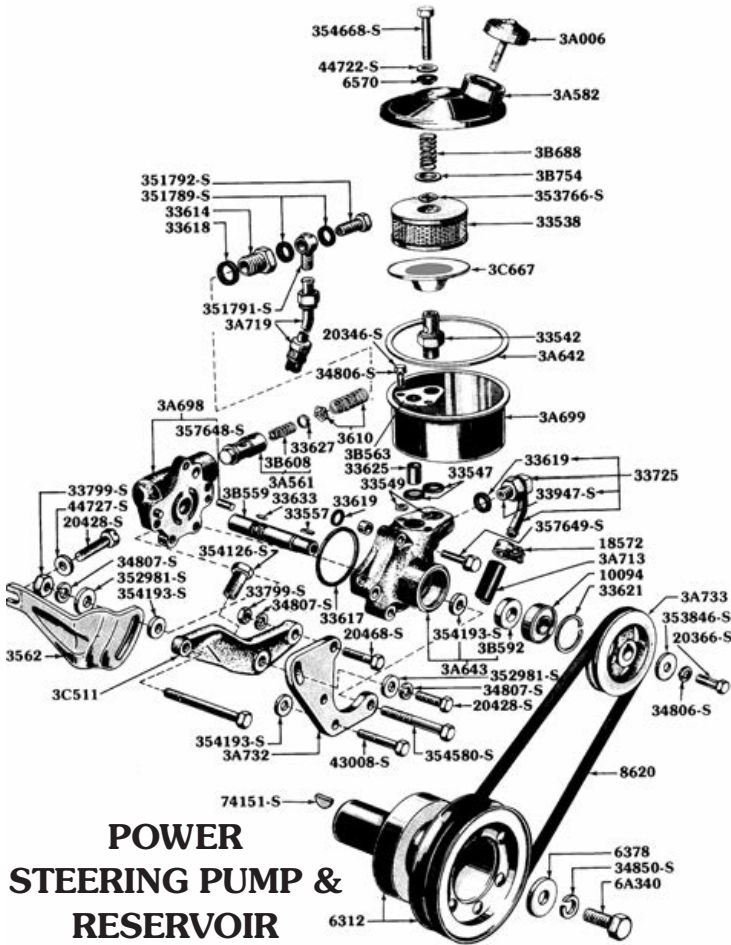


•NOTE• Line drawings are for reference only. Only parts listed with prices are available new or rebuilt. Other parts may be available used.

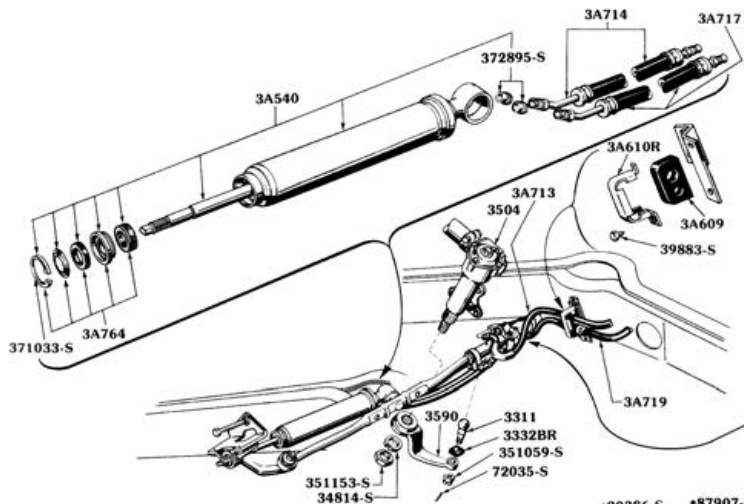
POWER STEERING ASSEMBLY



POWER STEERING CONVERSION
 Tired of hard steering...?
 Convert your manual steering to Power Steering. Everything you need in 1 box, just add fluid.
 Part #3000 \$1995.00



POWER STEERING PUMP & RESERVOIR



•NOTE• Line drawings are for reference only. Only parts listed with prices are available new or rebuilt. Other parts may be available used.



- 3A699A P/S resv. can, w/o return hose nipple 3A674AX 55/5729.95
- 3A699B P/S resv. can, w/return hose nipple out bottom of can, for 3A674BX late 5734.95
- 3A699C P/S resv. can, w/return hose nipple out rear of can pointed 45 degrees downward, 55/56 pass. car34.95
- 3A699D P/S resv. can, w/ret hose nipple at rear of can pointed 45 deg. down and 45 deg. toward carb., 57 pass. car34.95



3A754



3B563A



3B563B



3A582



3A006

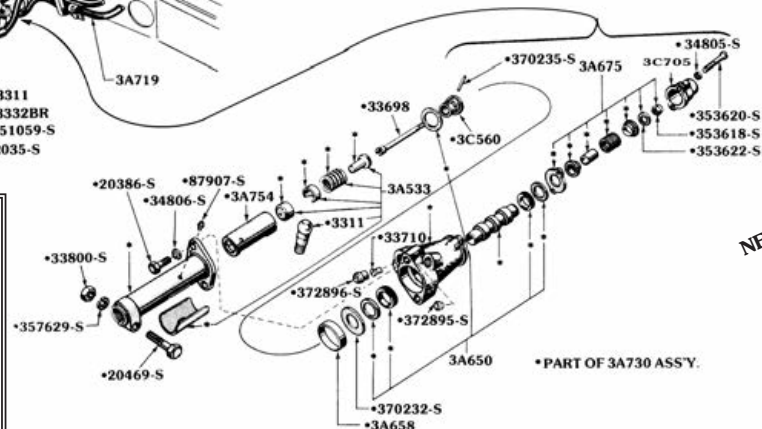


3C667B



3B754

POWER STEERING CONTROL VALVE & RAM CYLINDER



NEW RAMS NOW AVAILABLE

*PART OF 3A730 ASSY.

3C705	55/57, control valve cap	12.95
3A713	Hose, power steering return line	19.95
3A714A	Hose, power steering control valve to cylinder, 55/56	21.00
3A714B	Hose, power steering control valve to cylinder, 57	17.95
3A717	Hose, power steering control valve to cylinder, 55/56	21.00
3A719	Hose, power steering pressure line	
3A719A	55/57 with female fitting on top end.....	33.45
3A719B	Late 57 with male fitting on top end.....	33.45



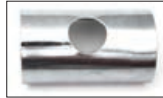
3720K - Power Steering Hoses

3720K	Kit, power steering hoses, contains 1-3A713, 1-3A714A, 1-3A717 and 1-3A719A, 55/56	89.95
3721AK	Kit, power steering hoses, 57 early style 3A719, with female fitting on top, contains 1-3A713, 2-3A714B, and 1-3A719A.....	79.95
3721BK	Kit, power steering hoses, 57 late style 3A719, with male fitting on top, contains 1-3A713, 2-3A714B, and 1-3A719B.....	79.95

3A728A



3A728B



Ball Stud Shields

3A728A	Shield, ball stud, control valve, 55/56	4.50
3A728B	Shield, ball stud, control valve, 57	4.50

3A730AAX - Power Steering Control Valve



3A730AAX	Control valve, pr. steering, rebuilt, exchange only, early 55 with built in cast clamp	179.95
3A730A	NEW control valve, pr. steering, 55/56	399.95
3A730AX	Control valve, pr. steering, rebuilt, exchange only, 55/56	179.95
3A730B	NEW control valve, pr. steering, 57	399.95
3A730BX	Control valve, pr. steering, rebuilt, exchange only, 57	179.95
••NOTE••	Caution must be used in removing control valve ball stud from drag link. Do not use a pickle fork to remove.	
••NOTE••	Returned Cores must be completely drained	
3A732	Bracket, power steering pump, front	19.95
3A733	Pulley, power steering pump, exact reproduction balanced like original	45.95
3738	Seal, steering shaft	5.00
3A754	Control valve clamp	12.50
3B754	Stamp washer, for top of power steering filter, 55/57	2.95
3A764A	Kit, ram cylinder seal, 55/56	15.40
3A764B	Kit, ram cylinder seal, 57	14.95
3A764R	Kit, ram cylinder, early 55 with external tube.....	19.95

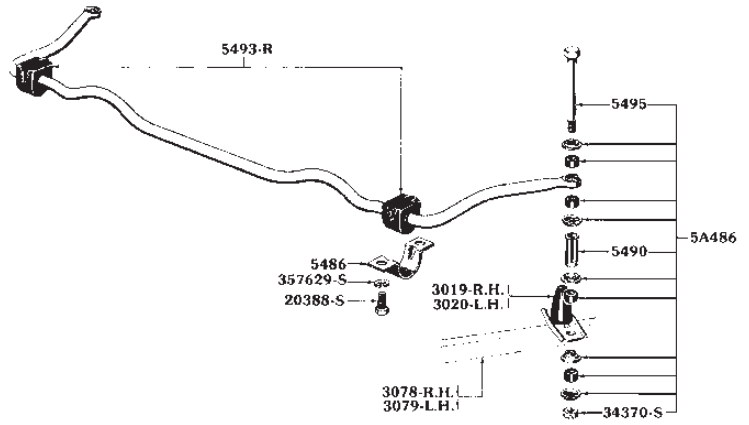
5486	Bracket, front stabilizer bar insulator.....	9.95
------	--	------



5A486 - Stabilizer End Repair Kit

5A486	Kit, stabilizer end repair, 2 required, exact reproduction.....	10.95
5A487K	Kit, stabilizer end repair, enough parts for both sides of the front stabilizer bar, exact reproduction.....	20.95
5493	Insulator, stabilizer bar, pair.....	9.95
•HWK 253	Stabilizer arm brackets (5486) to frame (12 pcs-2 sides).....	2.95

•NOTE• Line drawings are for reference only. Only parts listed with prices are available new or rebuilt. Other parts may be available used.



STABILIZER SWAY BAR ASSEMBLY

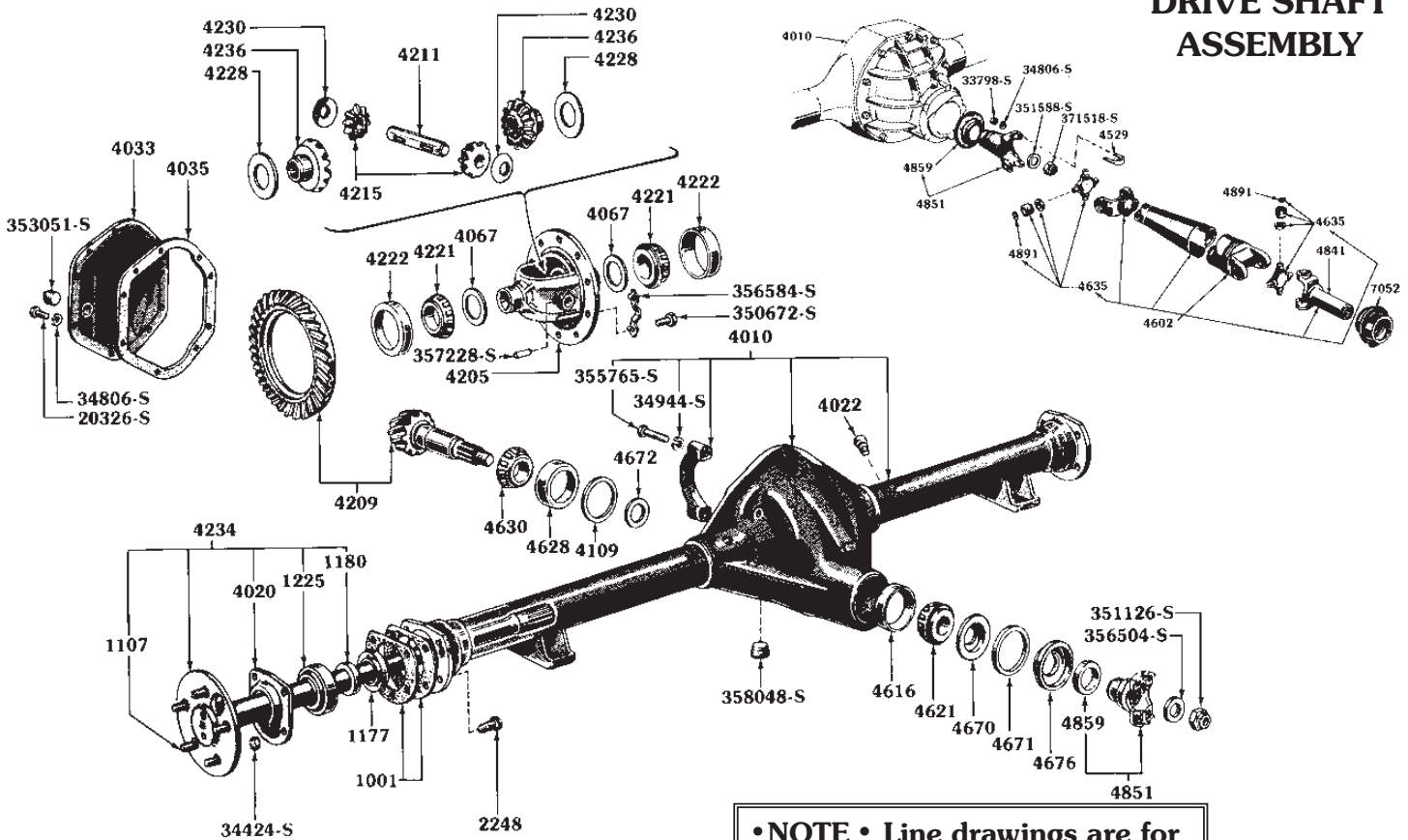
STABILIZER SWAY BAR KIT

Finally you can make your Thunderbird handle like Ford Motor Co. would have liked it to handle! This kit includes front and rear heavy duty sway bars (7/8" in diameter), four KYB gas filled shock absorbers, bushings, mounting brackets, attaching hardware and instructions. This kit improves the car's handling, gives you a more controlled firm ride, reduces tire wear and tire squeal, and reduces under steer and wheel hop. Hundreds have been sold to satisfied customers.

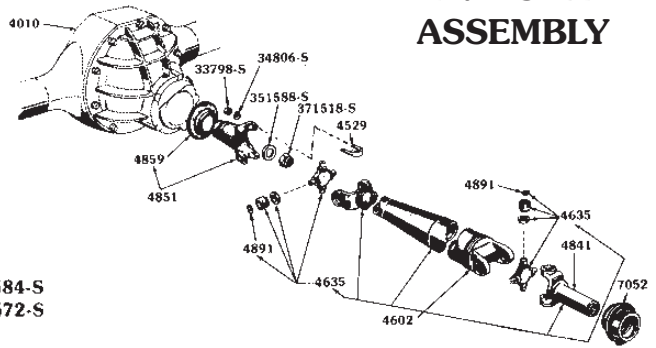
5482K	Front + Rear sway bar with shocks	480.00
5482F	Front sway bar with bushings	174.00
5482R	Rear sway bar with bushings	151.00

7-10% Quantity Discount On \$1000 Orders! See Ordering And Shipping Policy For More Information.

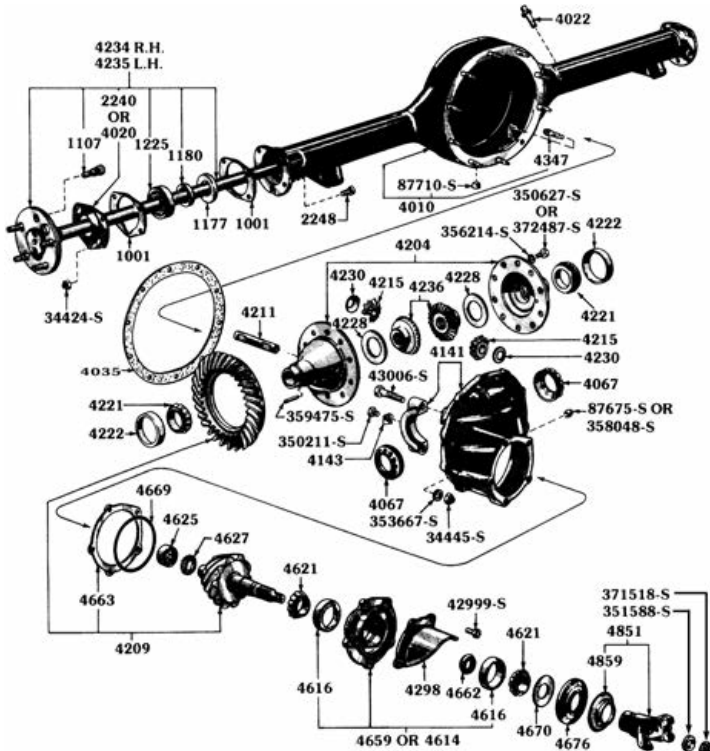
1955 - 56 DIFFERENTIAL ASSEMBLY



DRIVE SHAFT ASSEMBLY

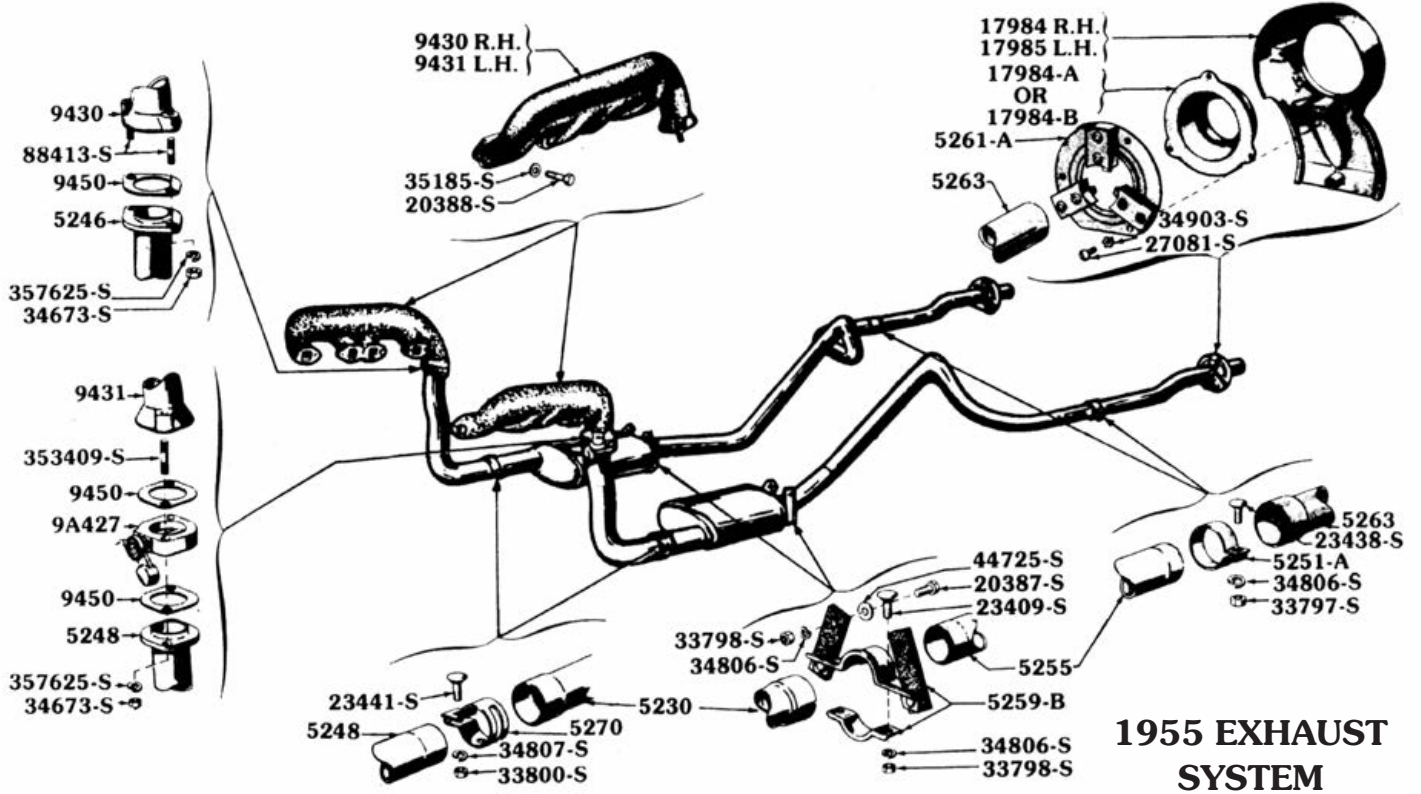


1957 DIFFERENTIAL ASSEMBLY

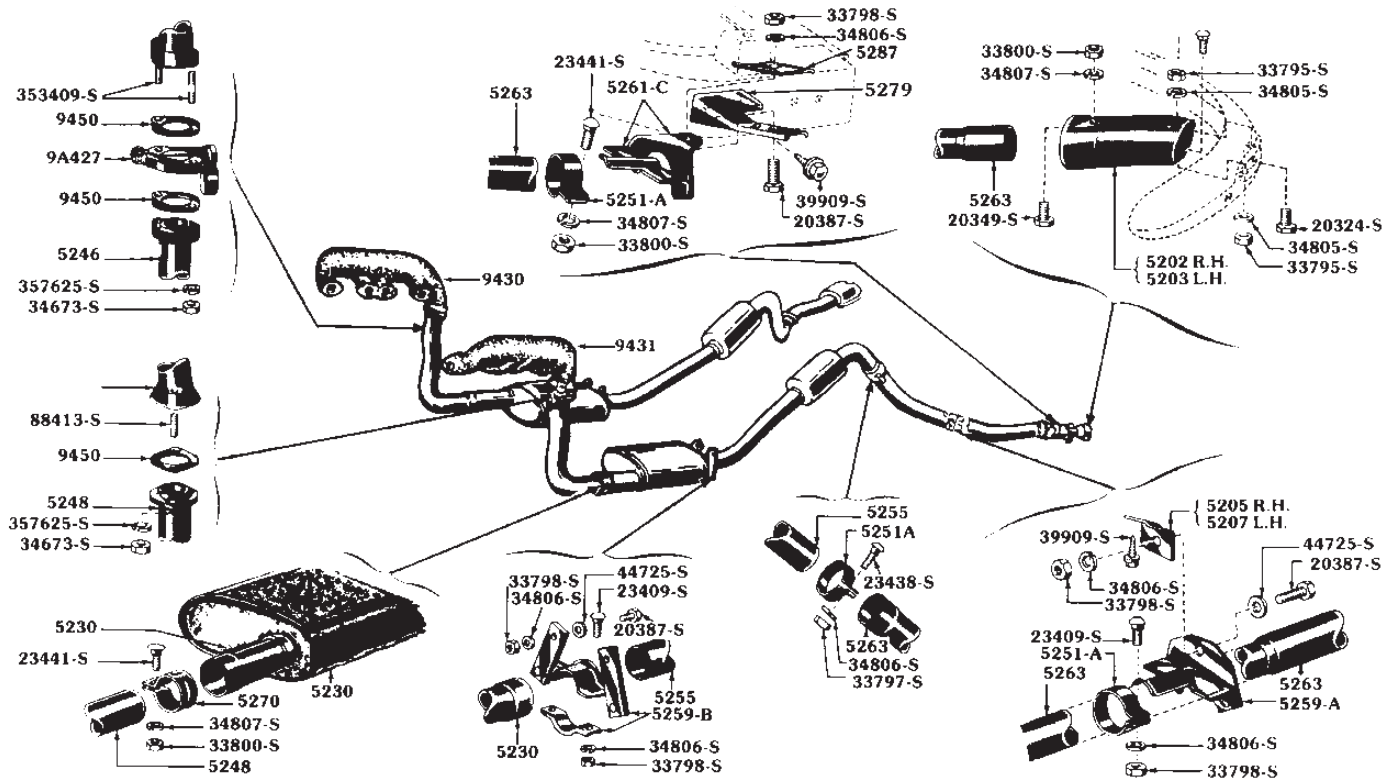


•NOTE • Line drawings are for reference only. Only parts listed with prices are available new or rebuilt. Other parts may be available used.

4022B	57 rear brake breather bolt	21.80
4035A	Gasket, rear axle cover, 55/56	3.50
•HWK 268	Rear axle housing cover, 55/56 (20 pcs)	4.95
4035B	Gasket, rear axle carrier, 57	4.95
•HWK 269	Differential 3rd member to axle housing, 57 (10 pcs)	2.75
4221	Bearing, differential carrier, 57	16.45
4222	Cup, differential carrier bearing, big, 57	7.50
4616A	Cup, driving pinion bearing, 55/56	8.95
4616B	Cup, driving pinion bearing, 57	7.75
4621A	Bearing, driving pinion, 55/56	21.95
4621B	Bearing, driving pinion, 57	14.65
4625	Bearing ass'y, driving pinion pilot, 57	39.95
4627	Retainer, driving pinion pilot bearing, 57	19.95
4628	Cup, driving pinion bearing, rear 55/56	10.95
4630	Bearing, driving pinion, rear, 55/56	22.95
4635A	Kit, universal joint, front, 55	15.95
4635B	Kit, universal joint, rear, 55	29.95
4635C	Kit, universal joint, front or rear, 56/57	10.95
•HWK 270	Universal joint U bolt nuts & washers (8 pcs)	1.25
4662	Spacer, driving pinion bearing	7.40
4669	"O" ring, driving pinion bearing retainer	2.75
4670B	Slinger, driving pinion shaft oil, 57	2.25
4671	Gasket, rear differential, 55/56	1.05
4676A	Seal, pinion, 55/56	7.60
4676B	Seal, pinion, 57	16.20
4851A	55/56 rear yoke repair sleeve	34.95
4851B	57/58 rear yoke repair sleeve	34.95



•NOTE• Line drawings are for reference only. Only parts listed with prices are available new or rebuilt. Other parts may be available used.





5008K - Bumper and Clip Kit

- 5006** Clip, frame rubber insulator bumper..... .35
- 5007** Bumper, frame to body insulator.....2.50
- 5008K** Bumper and clip kit, frame to body insulators, consists of
10-5006 and 10-500719.95
- 5009AK** Body bolt and washer kit, 55, 46 pcs.....59.95
- 5009BK** Body bolt and washer kit, 56, 52 pcs.....59.95
- 5009CK** Body bolt and washer kit, 57, 46 pcs.....59.95

5200 Exhaust pipe kits: Includes 5246/5248 header pipes, muffler and exhaust pipes, see 5256 for clamp and hanger kits

- 5200AK** 55 aluminized exhaust pipe kit.....295.00
- 5200AKSS** 55 stainless steel exhaust pipe kit.....780.00
- 5200BK** 56 aluminized exhaust pipe kit, without resonators.....295.00
- 5200BKSS** 56 stainless steel exhaust pipe kit, without resonators.....780.00
- 5200CK** 56 aluminized exhaust pipe kit with resonators.....375.00
- 5200CKSS** 56 stainless steel exhaust pipe kit with resonators990.00
- 5200DK** 57 aluminized exh. pipe kit, 2 piece pipes w/o resonators.....295.00
- 5200DKSS** 57 stainless steel exh. pipe kit, 2 piece pipes w/o resonators.....780.00
- 5200EK** 57 aluminized exh. pipe kit, 2 piece pipes with resonators.....375.00
- 5200EKSS** 57 stainless steel exh. pipe kit, 2 piece pipes with resonators990.00
- 5202A** Deflector, exhaust, RH, 5634.95
- 5203A** Deflector, exhaust, LH, 56.....34.95
- 5202B** Deflector, exhaust, RH or LH, 5731.45
- HWK 2** Exhaust deflectors to bumper & brackets, 56
(22 pcs-2 sides).....7.50
- HWK 3** Exhaust deflectors to bumper, 57 (12 pcs-2 sides).....13.95
- 5205** Bracket, tailpipe hanger to frame, intermediate RH, 56/575.20
- 5207** Bracket, tailpipe hanger to frame, intermediate LH, 56/57.....5.20
- 5230** Muffler.....55.65
- 5230SS** Muffler, stainless steel.....233.70
- 5246** Pipe, muffler inlet, carbon steel, RH.....49.95
- 5246SS-SS** Pipe, muffler inlet, stainless steel w/ stainless flange, RH.....76.50
- 5248** Pipe, muffler inlet, LH.....49.95
- 5248SS-SS** Pipe, muffler inlet, stainless steel w/ stainless flange, LH.....76.50
- HWK 240A** Exhaust manifold studs & brass nuts to header pipes,
(6 pcs 1 side) RH9.95
- HWK 240B** Exhaust manifold studs & brass nuts to header pipes,
(6 pcs 1 side) LH.....8.95
- 5251A** Clamp, tail pipe, intermediate 55/56, rear 56.....5.75
- 5251ASS** Clamp as above, stainless steel.....6.50
- 5251B** Clamp, tail pipe, intermediate 575.75
- 5251BSS** Clamp as above, stainless steel.....7.75
- 5251C** Clamp, tail pipe, rear 575.80
- 5251CSS** Clamp as above, stainless steel.....6.50
- 5255** Pipe, muffler outlet, without resonator. Both carbon steel and stainless steel pipes are available.
- NOTE••** See 5255 for front half of pipe, see 5263 for rear half.

		Aluminized	Stainless
		Steel	Steel
Pipe, muffler outlet without resonator			
5255A	RH 55, also see 5263A	33.00	70.60
5255B	LH 55, also see 5263A	33.00	70.60
5255C	RH 56, also see 5263B	33.00	69.15
5255D	LH 56, also see 5263C	33.00	69.15
5255M	RH 57, 2 piece type, also see 5263D	33.00	69.15
5255N	LH 57, 2 piece type, also see 5263E	33.00	69.15
Pipe, muffler outlet with resonator			
5255G	RH 56, also see 5263B	99.95	165.10
5255H	LH 56, also see 5263C	99.95	165.10
5255K	RH 57, 2 piece type, also see 5263D	99.95	224.10
5255L	LH 57, 2 piece type, also see 5263E	99.95	224.10



5256-A - Exhaust Kit

- 5256-A** Kit; All the brackets, hangers and attaching parts to install an exhaust system.
'55, Consists of: 2-5270, 2-5259-B, 2-5251-A, 2-5261-A, 4-20387-S, 4-33798-S, 4-34806-S, & 4-44722-S 83.95



5256-B - Exhaust System Installation Kit

- 5256-B** '56, Consists of: 2-5270, 2-5259-B, 1-5205-, 1-5207-, 2-5259-A, 1-5278, 1-5279, 2-5261-C 2-5287, 4-5251-A, 8-20387-S, 8-33798-S, 8-34806, 8-44722-S, & 4-39909-S 160.65



5256-C - Exhaust System Installation Kit

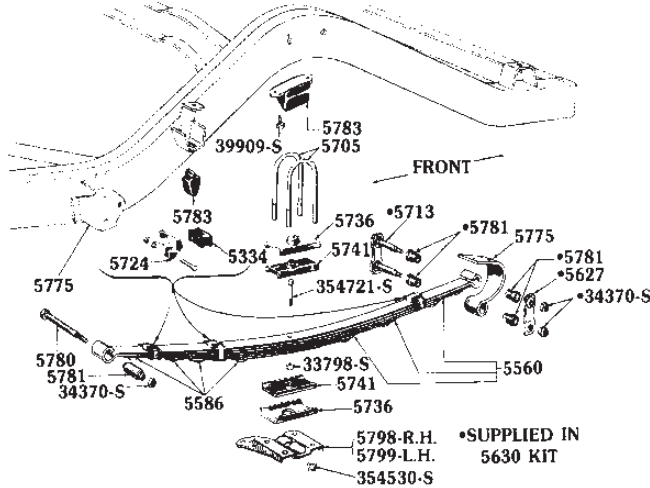
- 5256-C** '57, Consists of: 2-5270, 2-5259-B, 1-5205, 1-5207, 2-5259-A, 2-5261-B, 2-5251-B, 2-5251-C, 10-20387-S, 10-33798-S, 10-34806-S, 10-44722-S, 4-354926-S, & 4-39909-S125.95
- 5259-A** Hanger, tail pipe, intermediate, RH or LH 56/57 each10.45
- 5259-B** Hanger Ass'y. rear muffler, 55/5717.75
- 5259-BSS** Hanger as above, stainless steel33.95
- 5261-A** Hanger Ass'y. rear of tail pipe; screws into bumper guard, 5513.95
- HWK 271** Rear exhaust hangers (5261A) to bumper guards, 55 (12 pcs-2 sides)1.75
- 5261-B** Hanger Ass'y. rear of tail pipe, 578.00
- 5261-BSS** Hanger Ass'y. as above, stainless steel.....19.90
- 5261-C** Hanger Ass'y. rear of tail pipe, 5610.95
- 5263 Tail Pipe**

		Aluminized	Stainless
		Steel	Steel
5263A	RH or LH 55, also see 5255A and 5255B	34.00	61.75
5263B	RH 56, also see 5255C and 5255G	36.00	70.60
5263C	LH 56, also see 5255D and 5255H	36.00	70.60
5263D	RH 57, 2 piece type, also see 5255M and K	36.00	72.50
5263E	LH 57, 2 piece type, also see 5255N and L	36.00	72.50

- NOTE••** These are 2 piece exhaust systems see also 5255 for front half

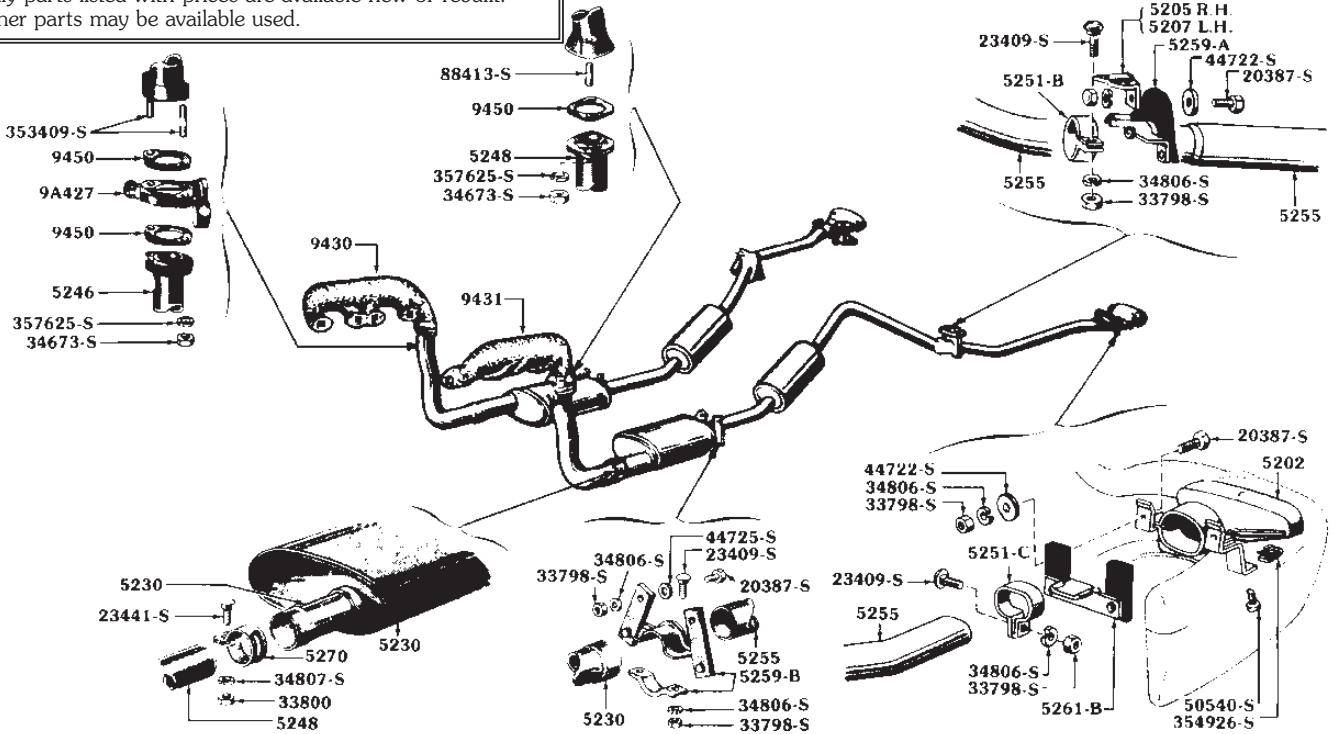
5263FA	Fake exhaust tips, chrome, 55 early donut inserts, pair.....	16.95
5263FB	Fake exhaust tips, chrome, 55 late fluted inserts, pair.....	16.95
5270	Clamp, front muffler, 2", split type.....	5.95
5270SS	Clamp as above, stainless steel.....	15.00
5278	Bracket, tail pipe hanger rear, RH, 56.....	9.95
5279	Bracket, tail pipe hanger rear, LH, 56.....	9.95
5287	Plate, rear tail pipe hanger clamping, 56.....	3.25
5310	Spring, front coil, each.....	65.00
5334	Liner, rear spring clamp, rubber.....	1.55
5355	Spacer, front spring, LH.....	7.25
5415	Insulator, front spring.....	4.25
5482K	See sway bar information on page 24.....	480.00
5482F	Front sway bar with bushings.....	174.00
5482R	Rear sway bar with bushings.....	151.00

5486	Bracket, front stabilizer bar insulator.....	9.95
5A486	Kit, stabilizer end repair, 2 required, exact reproduction.....	10.95
5A487K	Kit, stabilizer end repair, enough parts for both sides of the front stabilizer bar, exact reproduction.....	20.95
5493	Insulator, stabilizer bar, pair.....	9.95
•HWK 253	Stabilizer arm brackets (5486) to frame (12 pcs-2 sides).....	2.95
5560A	Leaf spring, rear, 55, each, with 5781B.....	189.95
5560B	Leaf spring, rear, 56/57, each, with 5781C.....	189.95
•HWK 263	Rear spring U bolt nuts (4 pcs-1 side).....	3.00
5586	Anti squeak pad, each, plastic.....	1.25
5586B	Anti squeak pad, as original w/ wax coating.....	2.95
5586K	Set of 12 5586B.....	34.95
5630	Kit, rear spring shackle, 2 required per car.....	16.50
5631AK	55 kit, rear spring shackle and bushings, consisting of 2-5780, 2-5781, 2-5630 & 4-5741.....	72.75
5631BK	56/57 as above.....	67.50
5705A	U bolt, rear spring, 55/56.....	6.50
5705B	U bolt, rear spring, 57.....	6.50
5724	Clamp, rear spring, 6 required.....	6.95
5736	Retainer, rear spring center mounting.....	6.95
5741	Insulator, rear spring mounting.....	4.25
5780A	Bolt, rear spring front hanger, 55.....	8.95
5780B	Bolt, rear spring front hanger, 56/57.....	8.95
5781A	Bushing, rear spring, rear shackle bar upper, 4 required per spring.....	1.95
5781B	Bushing, rear spring, front, 1 required per spring, 55.....	7.95
5781C	Bushing, rear spring, front, 1 required per spring, 56/57.....	4.85

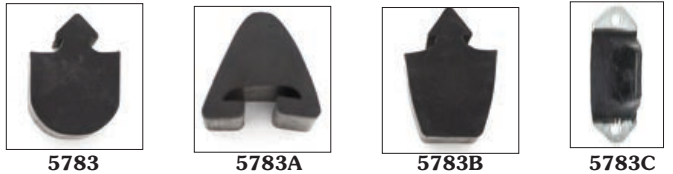


REAR SPRING ASSEMBLY

•NOTE• Line drawings are for reference only. Only parts listed with prices are available new or rebuilt. Other parts may be available used.



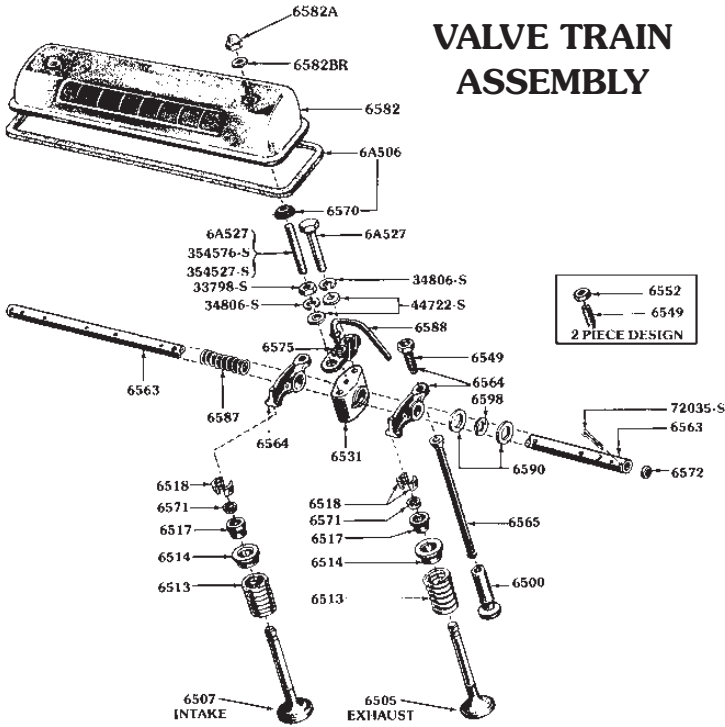
1957 EXHAUST SYSTEM



Axle and Differential Bumpers

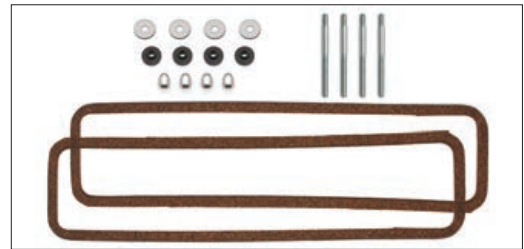
5783	Bumper, differential, 57.....	6.25
5783A	Bumper, rear axle, 56/57.....	6.10
5783B	Bumper, rear spring, 55/56.....	6.10
5783C	Bumper and plate assy., rear axle, 55.....	10.25

VALVE TRAIN ASSEMBLY

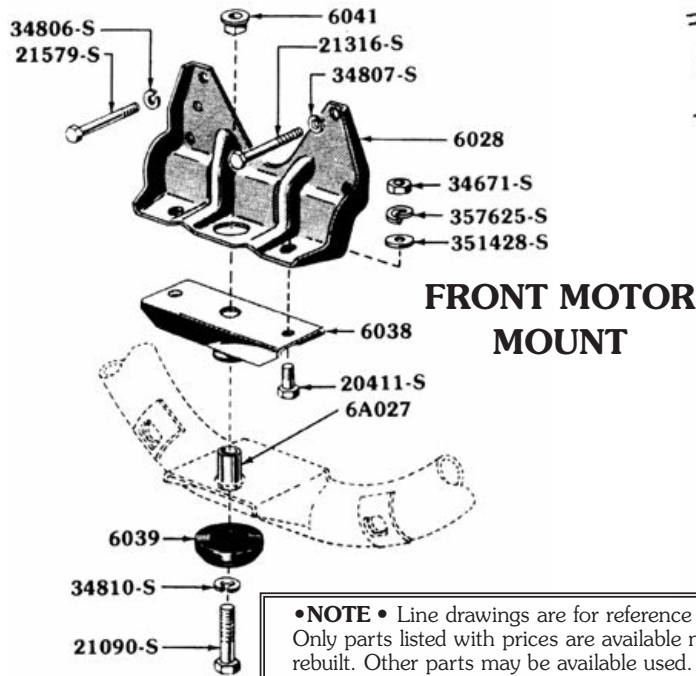


- 6008 Complete gasket set, engine overhaul does not include 6698.....159.95
- 6020 Gasket, timing chain cover.....5.20
- 6023 Pointer, engine timing.....13.60
- 6026KB Freeze plug set, brass.....14.95
- 6026KS Freeze plug set, steel.....3.95
- 6A027 Spacer, engine front support, 1-3/8" long.....3.10
- 6038 Insulator, engine front mount.....22.75
- HWK 235 Front motor mount to engine bracket (10 pcs).....3.25
- 6039 Insulator, engine support, lower.....4.90
- 6041 Nut, engine front support insulator bolt.....7.30
- 6049 Cylinder head, bare, 292.....175.00
- 6051 Gasket, cylinder head, composition type, each.....29.95
- 6054 Retainer clamp, transmission mount.....29.95

- 6068A Mount, rear transmission, 55/56.....12.95
- 6068B Mount, rear transmission, 57.....12.95
- HWK 265 Rear transmission mount to frame (6 pcs).....2.35
- HWK 266 Rear transmission cross brace to frame, 55/56 (18 pcs).....3.95
- HWK 267A Rear engine mount to frame & trans, FM (12 pcs).....4.95
- HWK 267B Rear engine mount to frame & trans, STD (12 pcs).....4.95
- 6079 Valve grind gasket set.....129.95
- 6312 Pulley, crankshaft damper, new reproduction.....CALL
- 6312X Pulley, crankshaft damper, rebuilt exchange.....295.00
- NOTE•• Cores must have straight riveted pulleys with the weight
- ACC 53 Balancer pulley puller.....49.95
- 6312A Sleeve, crankshaft damper.....16.95
- 6335A Rear main seal retainer, with seal, 292.....137.95
- 6335B Rear main seal retainer, with seal, 312.....137.95
- 6335D Seal kit, rear main crankshaft and rear main bearing, (silicone), 312.....49.95
- 6336A Seal kit, rear main crankshaft and rear main bearing (neoprene), 292.....19.95
- 6336B Seal kit, rear main crankshaft and rear main bearing (rope), 312.....11.95
- 6375A Flex plate, F/M.....49.95
- 6375S Flex plate spacers only, each.....6.00
- 6379 Flywheel bolts, 55/57 STD trans (6pcs).....13.95
- 6384 Ring gear, flywheel, Std. & O.D. trans.....28.40
- NOTE•• For F/M see 7950X
- 6436 Seal, starter to flywheel housing as original.....12.95
- 6500 Valve lifter, each.....14.95

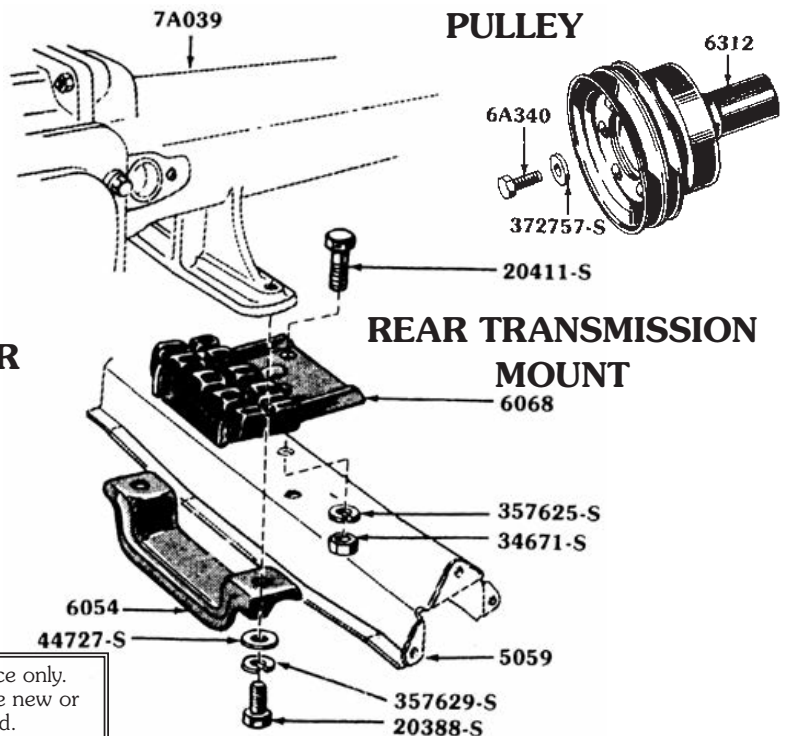


- 6A507K - Valve Cover Gasket and Grommet Set
- 6A506A Valve cover gasket and grommet set. Consists of 2-6584 gaskets & 4-6570A grommets. To be used with painted steel valve covers.....19.95



FRONT MOTOR MOUNT

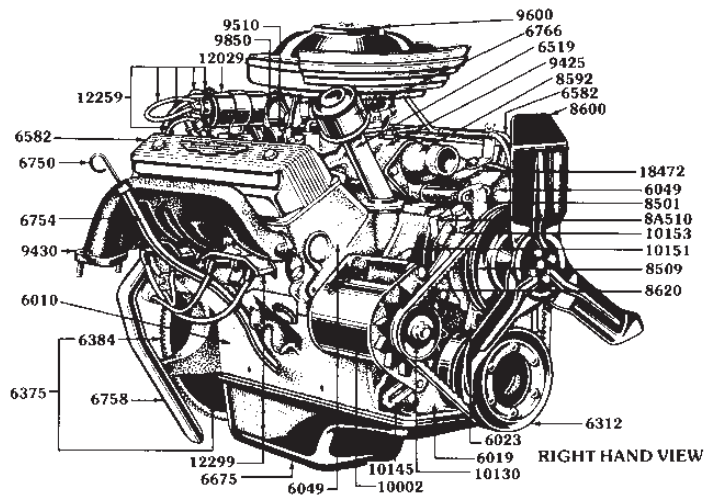
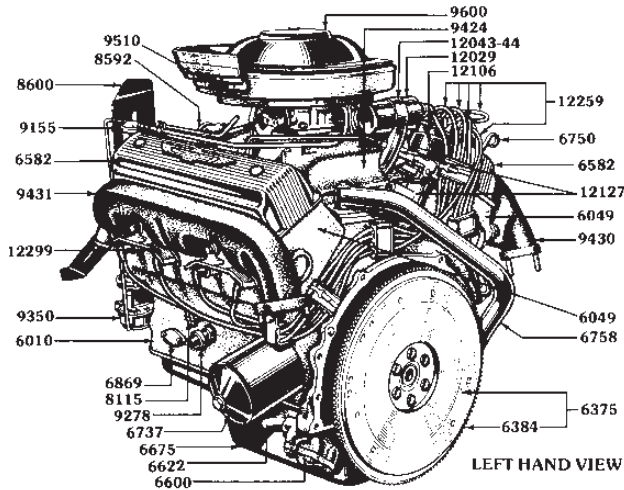
•NOTE• Line drawings are for reference only. Only parts listed with prices are available new or rebuilt. Other parts may be available used.



PULLEY

REAR TRANSMISSION MOUNT

ASSEMBLED ENGINE



- 6A506B** Valve cover gasket and grommet set. Consists of 2-6584 gaskets and 4-6570B grommets. To be used with aluminum valve covers19.95
- HWK 228** Aluminum valve cover complete hardware kit: consists of long thread studs, chrome washers & acorn nuts (12 pcs-2 sides).....19.95
- NOTE**•• For complete installation kit including gaskets and grommets see 6A506 and 6A507.
- 6A507K** Valve cover gasket, grommet and hardware kit. All the necessary parts for the installation of aluminum valve covers. Consists of 2-6584 gaskets, 4-6A527 long studs, 4-6570B grommets, 4-6582B chrome washers and 4-6582A chrome acorn nuts39.95
- 6510A** Guide, intake valve, all exc. 57 2921.95
- 6510B** Guide, exhaust valve, all exc. 57 2921.95
- 6513** Spring, valve, engine3.20
- 6519E** Valley cover, dual carbs, early style.....179.95
- 6521** Gasket, valley cover with 2-6570A grommets.....5.75
- HWK 220** Valley cover to engine (4 pcs)2.10
- 6A527** Stud, rocker arm, long type used with aluminum valve covers, 4 req'd2.40
- 6549** Adjusting screw, rocker arm, 16 req'd3.95
- 6563X** Rocker arm ass'y., rebuilt, exchange, pair359.95
- 6565A** Push rod, 55 292.....3.95
- 6565B** Push rod, 56/57 292 or 3129.95
- 6570A** Grommet and washer, painted valve cover studs and valley cover studs..... .95
- 6570B** Grommet only, to be used with aluminum valve covers95
- 6570C** Grommet only, power steering reservoir can lid..... .95
- 6575** Bracket, rocker arm oil tube.....2.60

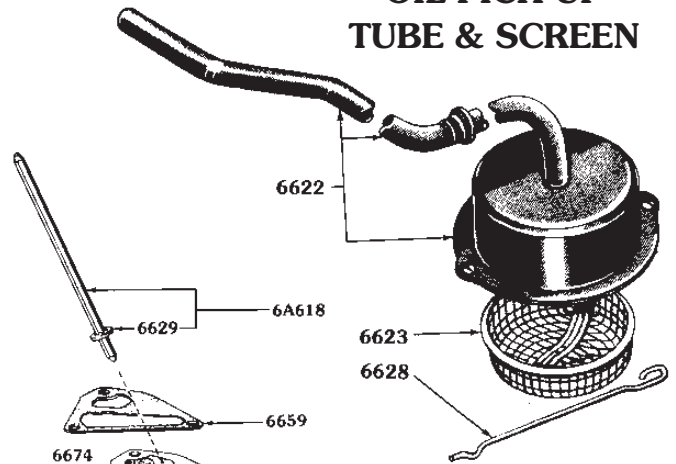
- 6A618** Shaft, oil pump, intermediate.....12.50
- 6626** O'ring, oil pan pick up tube.....CALL
- 6659** Gasket, oil pump.....1.95
- 6673** Nut, oil pump tube to pump14.95
- 6698** Seal, pan to oil pump.....5.95
- 6700** Packing, timing cover crank, seal.....13.95
- HWK 216** Timing case cover to engine. Does not include HWK 217A or HWK 217B (16 pcs)6.95
- 6710** Gasket, engine oil pan.....8.95
- HWK 215** Oil pan to block (44 pcs)7.95
- 6730A** Plug, oil pan4.95
- 6730B** Plug, oil pan, oversize4.95



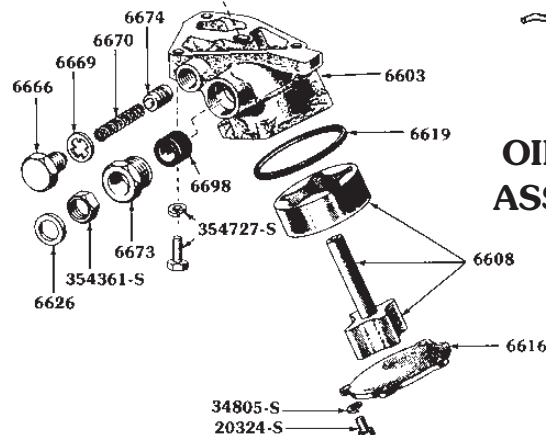
6582 Aluminum Valve Cover

- 6582** Aluminum valve cover, each.....199.95
- 6582A** Chrome acorn nut, each2.40
- HWK 229** Aluminum valve cover acorn nuts (4 pcs-2 sides)8.95
- 6582B** Chrome washer, each..... .95
- HWK 230** Aluminum valve cover chrome washers (4 pcs-2 sides)3.75
- HWK 231** Aluminum valve cover chrome washers & acorn nuts (8 pcs-2 sides)12.75
- 6584** Gasket, valve cover.....8.50
- 6588** Oil tube, rocker arm shaft.....6.25
- 6600** Oil pump, does not include 6698129.95

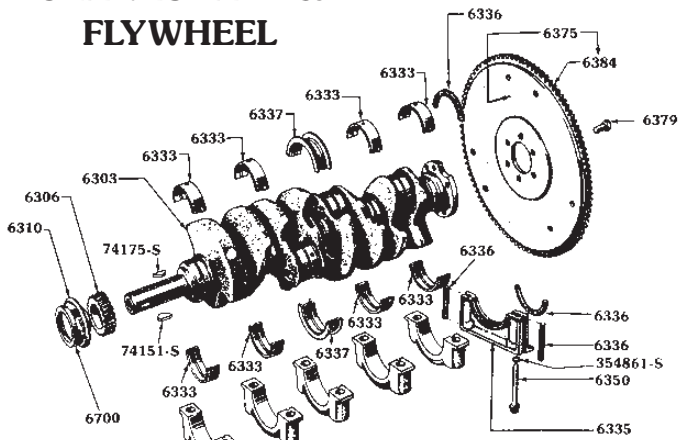
OIL PICK-UP TUBE & SCREEN



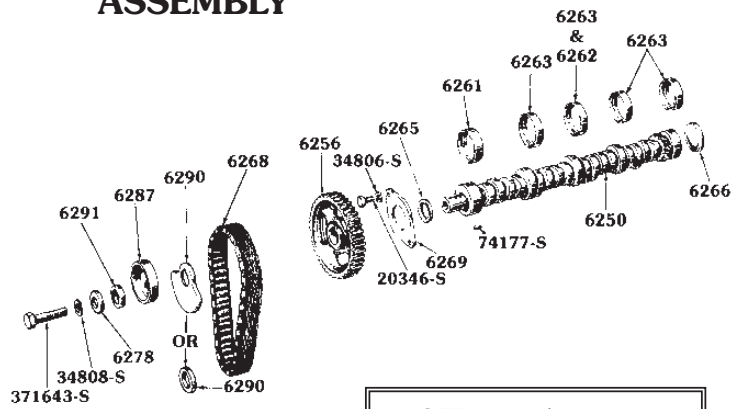
OIL PUMP ASSEMBLY



CRANKSHAFT & FLYWHEEL

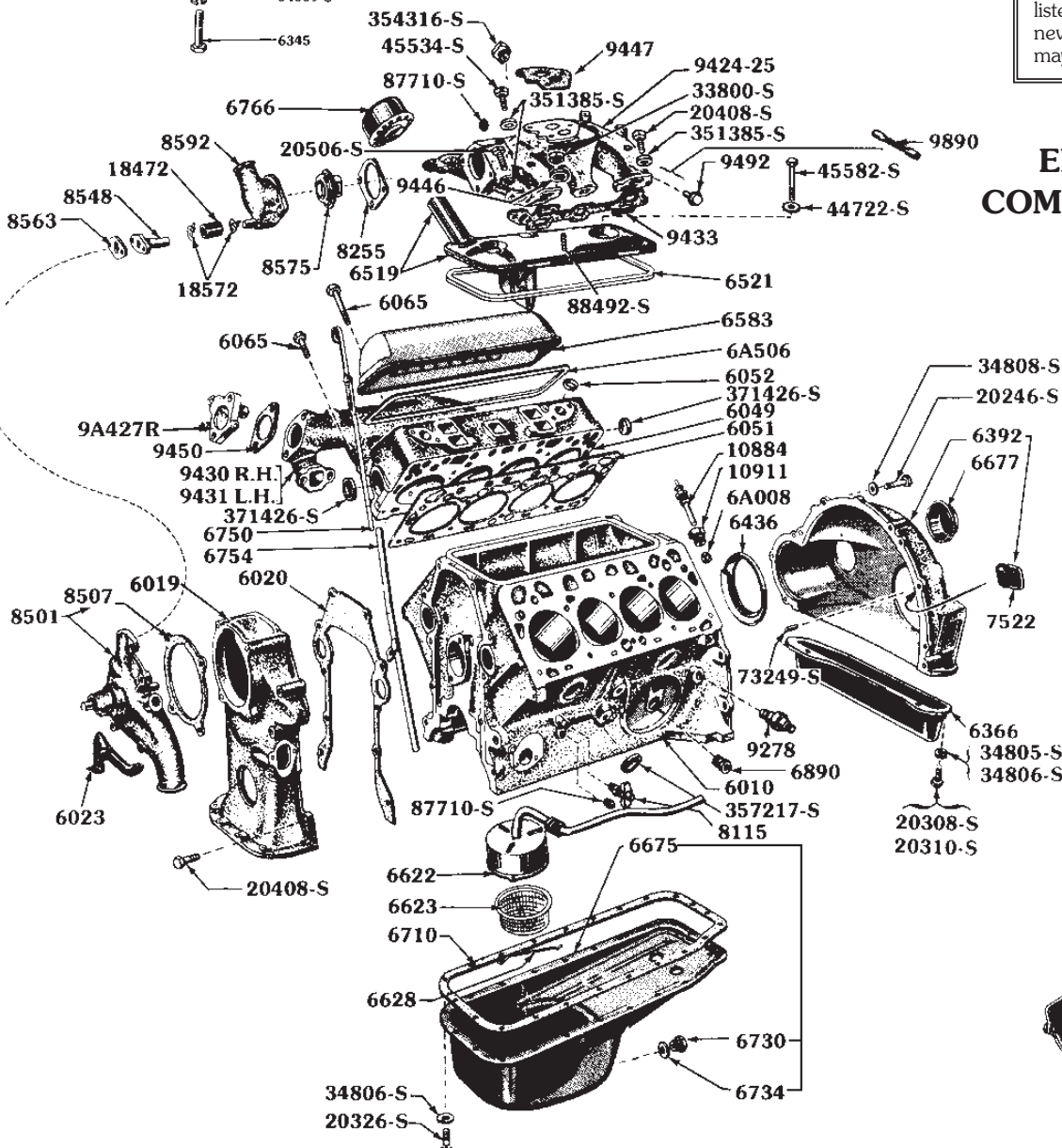


CAMSHAFT ASSEMBLY

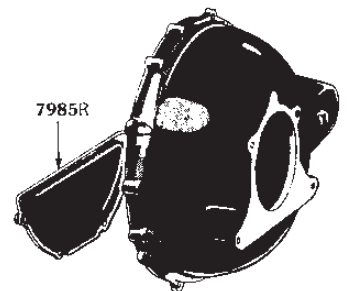


•NOTE• Line drawings are for reference only. Only parts listed with prices are available new or rebuilt. Other parts may be available used.

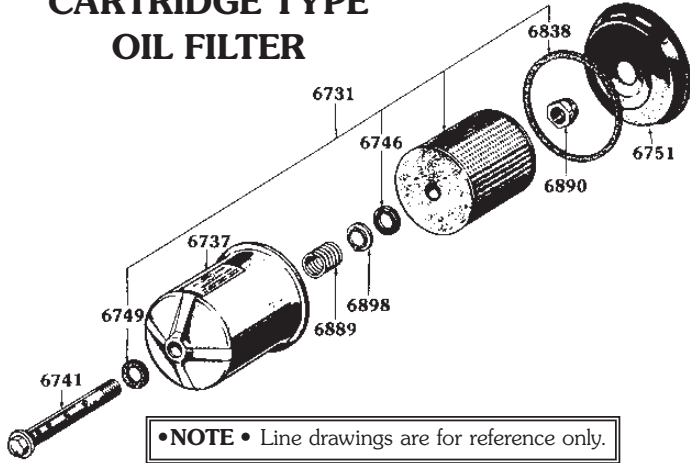
ENGINE COMPONENTS



BELL HOUSING AND COVER PLATE



**CARTRIDGE TYPE
OIL FILTER**



•NOTE • Line drawings are for reference only.



6731A



6731B

Oil Filters

- 6731A Element, oil filter, 55/56 can type.....10.00
- 6731B 57 spin-on type oil filter6.95
- 6734A Gasket, oil pan plug2.25
- 6749 Gasket, oil filter cover bolt1.70



6750 - Dipstick

- 6750 Oil level dipstick, exact reproduction.....21.95
- 6754 Oil dipstick tube.....24.95



6758 - Road Draft Tube

- 6758 Tube, road draft, exact reproduction44.60
- 6758AR 55/57, PCV, hose and valve.....19.95
- HWK 219 Road draft tube to engine (3 pcs)95



6766C



6766



6766B

Oil Caps

- 6766 Oil cap, chrome, exact reproduction of the original cap27.50
- 6766B Oil cap, black, 57, supercharged & all w/o dress up kit26.95
- 6766C Oil cap, black, 55/56, w/o dress up kit26.95
- 6838 Gasket, oil filter or cartridge plate1.55
- 6869 Cover, cylinder block ventilation.....5.95
- 6872 Gasket, side plate (6869) on engine1.00
- HWK 218 Vent-block off cover (6869) to engine (4 pcs).....1.45



6882 - Oil Filter Adapter Kit

- 6882 Kit, adapter to convert can type oil filter to spin on type29.95

NEED ENGINE PARTS?

- 6008 Engine gasket set
- 6026 freeze plugs
- 6049 Valve grind gasket set
- 6051 Head gasket
- 6108A pistons, 292
- 6108B pistons, 312
- 6148A rings, 292
- 6148B rings, 312
- 6207 rod bushings
- 6211 rod bearings
- 6214 rod bolts & nuts**
- 6250 cam shaft
- 6256 cam gear
- 6263 cam bearings
- 6265 cam end spacer **

- 6268 timing chain
- 6269 cam thrust plate **
- 6278 cam front washer **
- 6303A crankshaft 292 **
- 6303B crankshaft, 312 **
- 6306 crank gear
- 6333A main bearings, 292
- 6333B main bearings, 312
- 6335A rear main cap, 292 **
- 6335B rear main cap, 312 **
- 6336A rear main seal, neoprene, 292 **
- 6335D rear main seal, silicone, 312 **
- 6500 lifters
- 6507A intake valve 292 **
- 6507B intake valve 312 **

- 6505 exhaust valve **
- 6510A valve guide, intake **
- 6510B valve guide, exhaust **
- 6513 valve spring **
- 6518 valve keepers **
- 6563 rocker arm **
- 6565A push rod, 292 **
- 6565B push rod, 312 **
- 6571 valve stem seal
- 6600 oil pump
- 6A618 oil pump shaft

MASTER ENGINE KIT, DOES NOT
INCLUDE ITEMS WITH A **

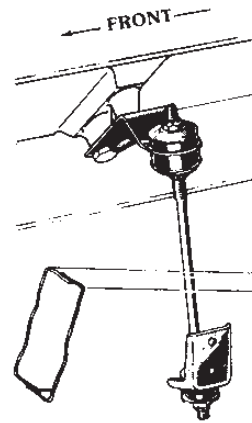
6889A	Spring, cartridge type oil filter	5.95
6890A	Insert, oil filter mounting bolt, cartridge type filter, NOS.....	13.50
6890B	Insert, oil filter mounting bolt, spin on filter.....	7.95
6922	Gear, O/D	30.00
6927	Seal, O/D governor to housing.....	1.50
6941	Cover, O/D governor	5.20
6954	Bracket, engine steady rest mounting, RH.....	13.95
6955	Bracket, engine steady rest mounting, LH.....	13.95
•HWK 236	Engine steady rest brackets (6954/5) to engine (8 pcs-2 sides).....	3.25
6960K	Kit, steady rest, LH or RH.....	14.40
6960B	Washer kit, engine steady rest.....	6.00
6968	Rod, engine steady rest.....	6.50



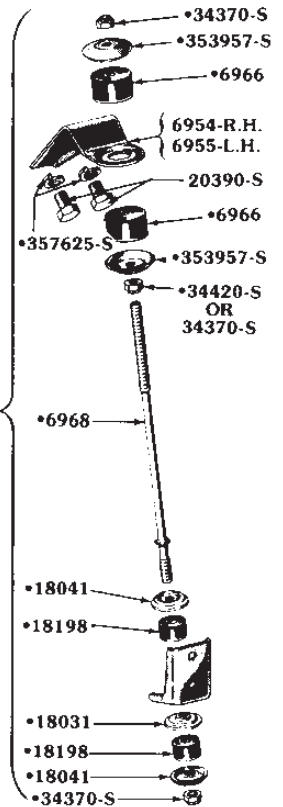
6966K - Steady Rest Grommet Kit

6966K	Kit, steady rest grommet, 8 pieces for both sides.....	9.95
-------	--	------

ENGINE SIDE STEADY REST



SUPPLIED IN 6960 KIT
SEE ALSO 6960R AND 6960BR



**We Have Shop Manuals.
See "Literature", Page 6**

•NOTE • Line drawings are for reference only.

TRANSMISSION

TRANSMISSION COOLING LINES



7A020 - Transmission Dipstick

7A020	Dipstick, FM transmission.....	24.95
7A032A	Transmission cooler lines without expansion bend.....	32.95
7A032B	Transmission cooler lines with expansion bend, late 57	33.95
7A032ASS	Transmission cooler lines without expansion bend, stainless steel.....	59.95
7A032BSS	Transmission cooler lines with expansion bend, stainless steel, late 57	59.95
359280S	Clip, trans lines to engine.....	7.80
7A034A	Bushing, transmission rear extension, except overdrive	3.95
7A034B	Bushing, transmission rear extension, overdrive	19.95
7052	Seal, transmission rear, all except Std with overdrive	9.95
7052B	Seal, transmission rear, with overdrive.....	13.95
7A098	Screen, Fordomatic oil pan.....	19.95
77651	Transmission output shaft boot.....	18.40

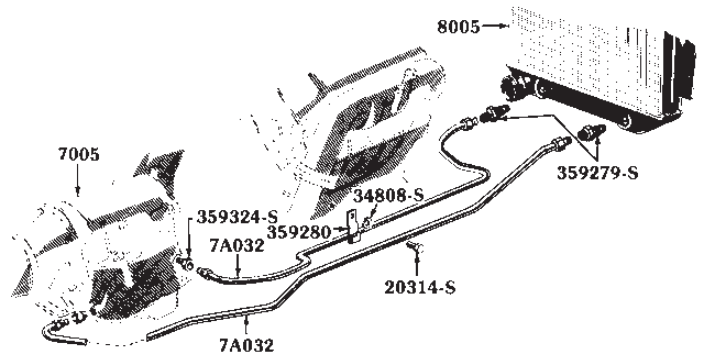


**7A098 Screen,
Fordomatic Oil Pan**



**7A110
Shifter Pointer**

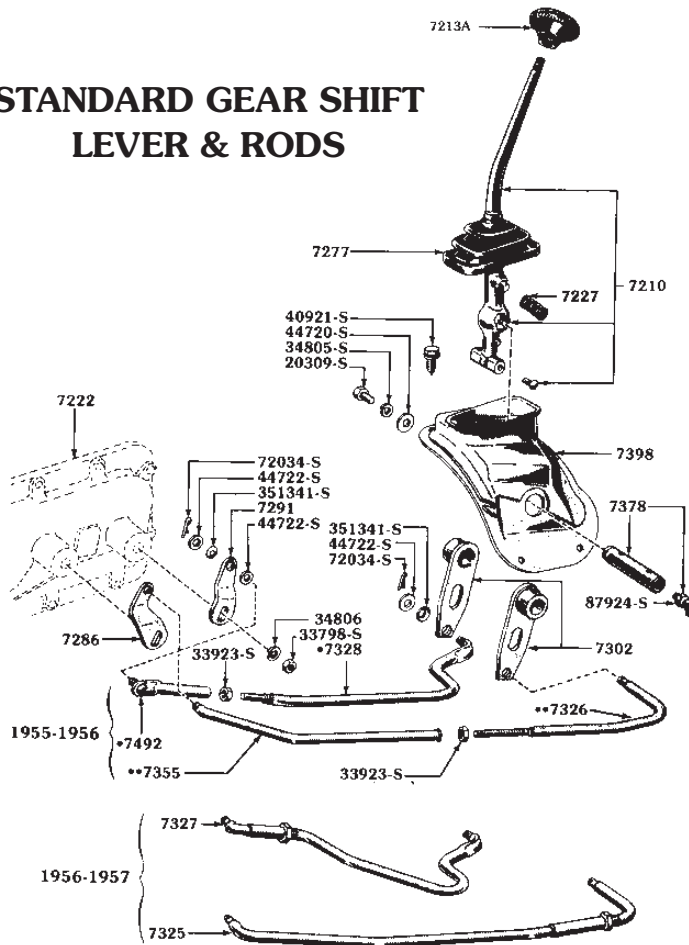
7A110	Shifter pointer, F/M, chrome.....	119.95
•HWK 81	Screw, auto transmission shifter pointer (1pc).....	.70



•NOTE • Line drawings are for reference only.

7A133K	Bushing and washer kit, FM shifter.....	8.95
B7A136A	CM front pump gasket.....	2.95
7153A	Overhaul kit, transmission. All "O" rings, seals, gaskets, friction plates, steel clutch plates. Specify year and water cooled or air cooled.....	114.95
7153B	Overhaul kit, same as above plus bands.....	239.95
7153C	Gasket kit, std. transmission.....	29.95
••NOTE••	Bands are exchange only.	
7A162	Front band assembly, Fordomatic trans	59.95
7A176	Rear band assembly, Fordomatic trans	59.95
••NOTE••	7153B, 7A162 and 7A176 require cores up front	
7A185A	Bellcrank, 55, Fordomatic trans, RE std trans.....	89.00

STANDARD GEAR SHIFT LEVER & RODS



- 7A185E Bellcrank, dual carbs, Fordomatic trans.....150.00
- 7A187A Kickdown rod, 5574.95
- 7A187B Kickdown rod, 5754.95
- 7A187E Kickdown rod, dual carbs, Fordomatic trans.....49.95
- 7A191 Gasket, Fordomatic trans oil pan6.95
- HWK 264 Fordomatic trans pan to case (28 pcs).....5.95



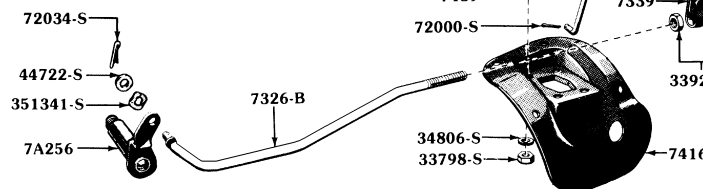
7213A - Gear Shift Knob



7213B - Gear Shift Knob

- 7213A Knob, gear shift, STD & O/D trans10.40
- 7213B Knob, gear shift, Fordomatic trans, black plastic.....26.95

•NOTE • Line drawings are for reference only. Only parts listed with prices are available new or rebuilt. Other parts may be available used.



77619A - Spring



77619 - Button



77635 - Spring

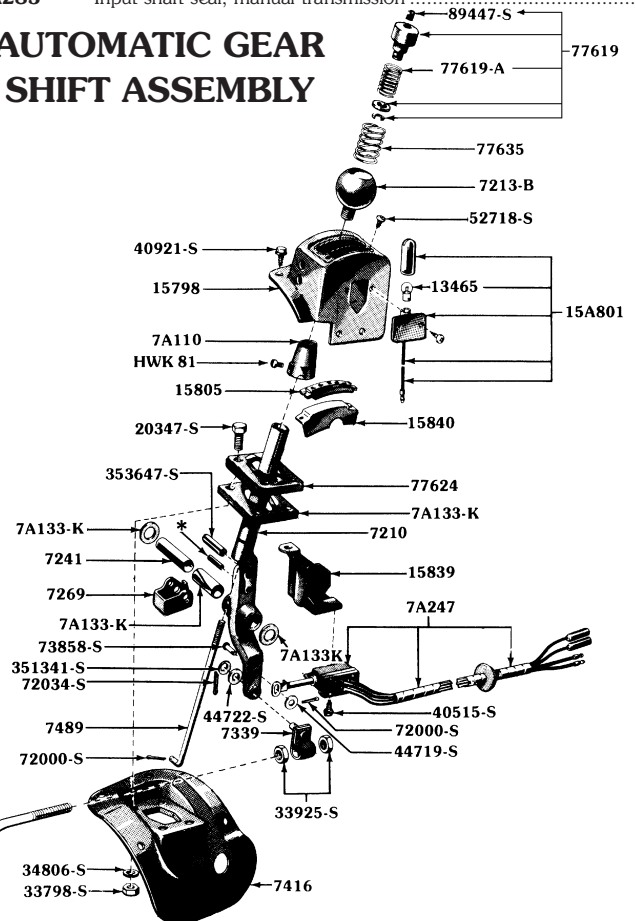
- 77619A Spring, F/M shifter button.....1.95
- 77619 Button, F/M shifter, chrome, with screw.....20.95
- 77635 Spring, F/M shifter ball.....3.95



7A228 - Transmission Dipstick Tube

- 7A228 Tube, trans. dipstick with bracket, Fordomatic trans23.65
- 7A229 Bracket, trans fill tube.....5.15
- 7241 Pivot pin, FM shifter.....8.35
- 7A247 Switch, neutral safety and A/T back up light, starts in neutral only.....85.95
- 7A247B Switch, neutral safety, starts in neutral and park.....109.95
- 15839 Bracket, neutral safety switch to shifter19.95
- 15540K Back up lamp switch bracket and actuator, standard transmission only (except T-85), 1-15540, 1-1551718.85
- 7A248 Seal, front pump, Fordomatic trans.....9.95
- 7A256 A/T manual shift lever assy100.00
- 7269 Level pawl, FM shifter19.95
- 7277 Boot, transmission gear lever, Std & O/D trans.....17.95
- 7A283 Input shaft seal, manual transmission.....7.35

AUTOMATIC GEAR SHIFT ASSEMBLY



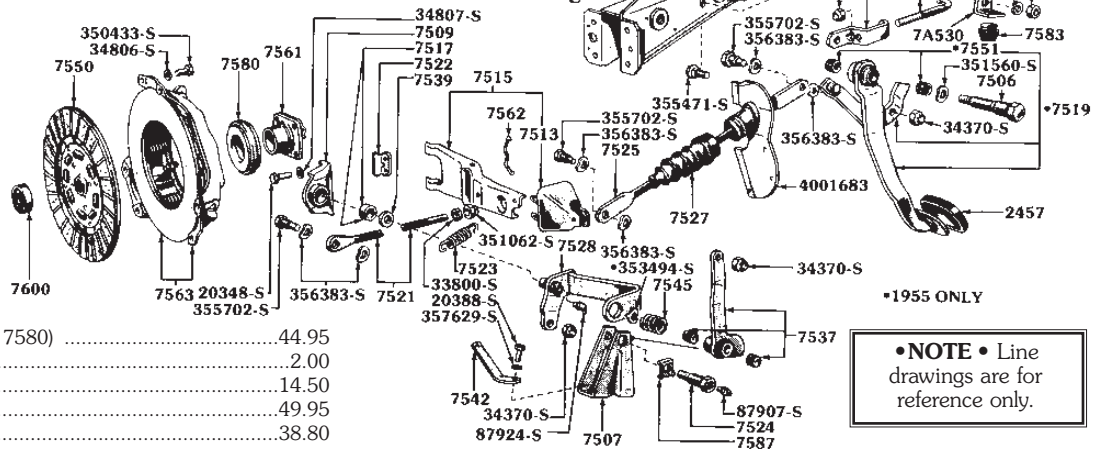
7286	Lever, standard transmission.....	29.95
7291	Lever, standard transmission.....	39.95
7302	Lever, standard transmission shift tower.....	41.95
7325	Shift rod, std. trans., 2nd & 3rd.....	119.95
7326B	Shift rod, Fordomatic shifter, does not include 7339.....	54.95
7327	Rod, Std trans, shifting, 1st & reverse.....	129.95
7339	Bracket, F/M trans. rod adjusting.....	11.95
7378	Shaft, standard transmission tower.....	50.00
7B391	Gasket, extension housing access plate.....	1.60
7489	Release rod, Fordomatic shifter.....	5.20
7B498	55/57 F/M manual control lever seal and o-ring.....	2.95
7513	Boot, bell housing at clutch fork, black leather.....	21.95
7517	Bushing, clutch release equalizer shaft, pair.....	5.00
7523	Spring, clutch & emergency brake equalizer.....	3.40
7527	Seal, clutch pedal rod.....	14.95
77265S	Throttle shaft o'ring.....	.95



7550X - Clutch Disc Assembly

7550	Disc. ass'y., clutch, new.....	99.95
7550T	Clutch disc alignment tool, 1", 10 spline.....	7.95
7550X	Disc. ass'y., clutch, 11", rebuilt, exchange only.....	85.95
7561	See 7580	
7562	Spring, clutch fork anti-rattle.....	4.95
7563	Clutch, pressure plate, new.....	154.95
7563X	Clutch, pressure plate, rebuilt, exchange only.....	139.95
7A574A	Spring, clutch pedal.....	6.95

STANDARD TRANSMISSION CLUTCH & LINKAGE



7580	Bearing & hub ass'y, (7561 & 7580).....	44.95
7583	Bumper, clutch & brake pedal.....	2.00
7600	Pilot bearing.....	14.50
7A650	Cable, overdrive, replacement.....	49.95
7A652	Switch, overdrive kickdown.....	38.80
7693	Seal, overdrive solenoid.....	8.50

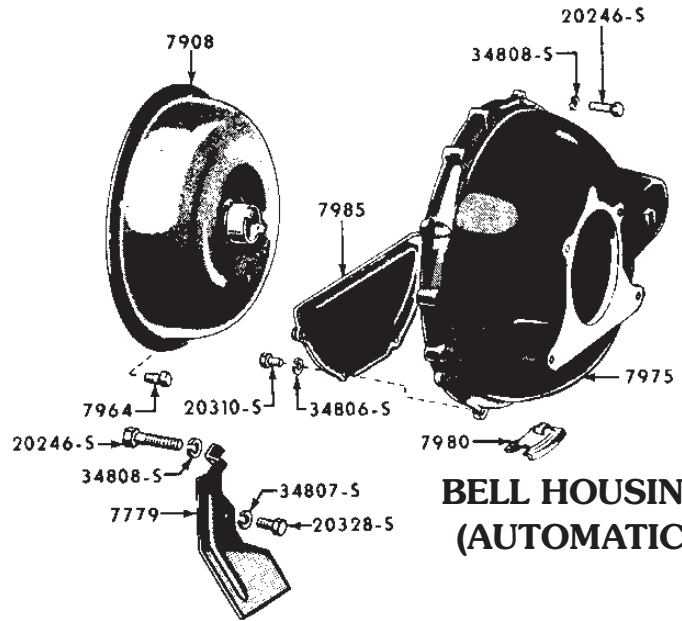


7779A
Splash Shield



7779B
Splash Shield

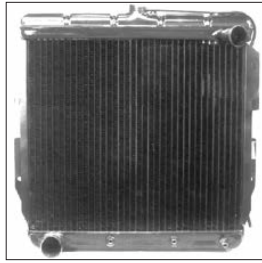
7779A	Splash shield, trans linkage, air cooled, 55/56.....	15.70
7779B	Splash shield, trans linkage, water cooled, 56/57.....	20.95
7916A	O'ring, torque converter, small, air cooled.....	4.75
7950	Ring gear, torque converter, 148 teeth.....	39.95
7963	O'ring, torque converter, large, air or water cooled.....	8.35



BELL HOUSING (AUTOMATIC)

7980	Cover, bell housing, Fordomatic trans, water cooled.....	24.95
7985	Shield, bell housing, Fordomatic trans, water cooled.....	19.95
12170	Gasket, FM adj. plate/governor access plate.....	1.35
•HWK 159	Transmission governor cover to floor (4 pcs).....	1.15
15540K	Kit, back up lamp switch bracket and actuator, standard trans. only (except T-85), 55/57, consists of one each #15540 and #15517.....	18.85
15805	Lens, trans selector, plastic.....	9.95
15839	Bracket, neutral safety switch to shifter.....	19.95
17260A	Cable & housing, speedometer, 55 all, 56 with FM.....	24.95
17260B	Cable & housing, speedo, 57, with FM.....	39.95
17260C	Cable & housing, speedo, 56/57, with OD trans or std.....	39.95
17260D	Cable & housing, speedo, 55 without angle drive, 56 with FM.....	24.95
17279	Angle drive assembly, speedometer, 55/56.....	214.95
17292	Snap ring, speedo gear, 57 Fordomatic trans.....	1.95
17298	"O" ring seal, speedometer housing to transmission.....	2.90
17322A	Gear, speedometer cable, 55/56 Fordomatic or 55/57 Std. trans, 20 teeth.....	19.95
17322B	Gear, speedometer cable, 57 Fordomatic, 19 teeth.....	19.95
B17271K	Gear, speedometer cable, 57 Fordomatic, 18 teeth.....	19.95

•NOTE• Line drawings are for reference only.



8005A - Radiator

- 8005A Radiator, 55 with brass number plate, w/o cooler.....399.95
- 8005B Radiator, 56/57 w/ stamped numbers, w/o cooler.....399.95
- 8005C Radiator, 56/57 with stamped numbers with cooler.....399.95
- HWK 84 Radiator, mounting bolts to "U" brace, (4pcs., 2 sides).....2.95
- HWK 193 Radiator U brace to body (18 pcs).....2.40
- HWK 194A Radiator to radiator support brace, 55 (12 pcs).....2.30
- HWK 194B Radiator to radiator support brace, 56/57 (4 pcs).....2.95



8005A - Radiator Overflow Tube

- 8005 Overflow tube, radiator.....15.15
- 8005SS S/S overflow tube, radiator, stainless steel.....19.95
- 8100 Cap, radiator.....8.95
- 8100R Cap, radiator, exact reproduction.....29.95
- 8104F Deflector, radiator side air, fiberglass, RH.....139.95
- 8104M Deflector, radiator side air, metal, RH.....255.00
- 8105F Deflector, radiator side air, fiberglass, LH.....139.95
- 8105M Deflector, radiator side air, metal, LH.....255.00
- 8115 Drain cock, radiator & engine.....4.95
- 8124 Radiator support pads, pair.....6.70

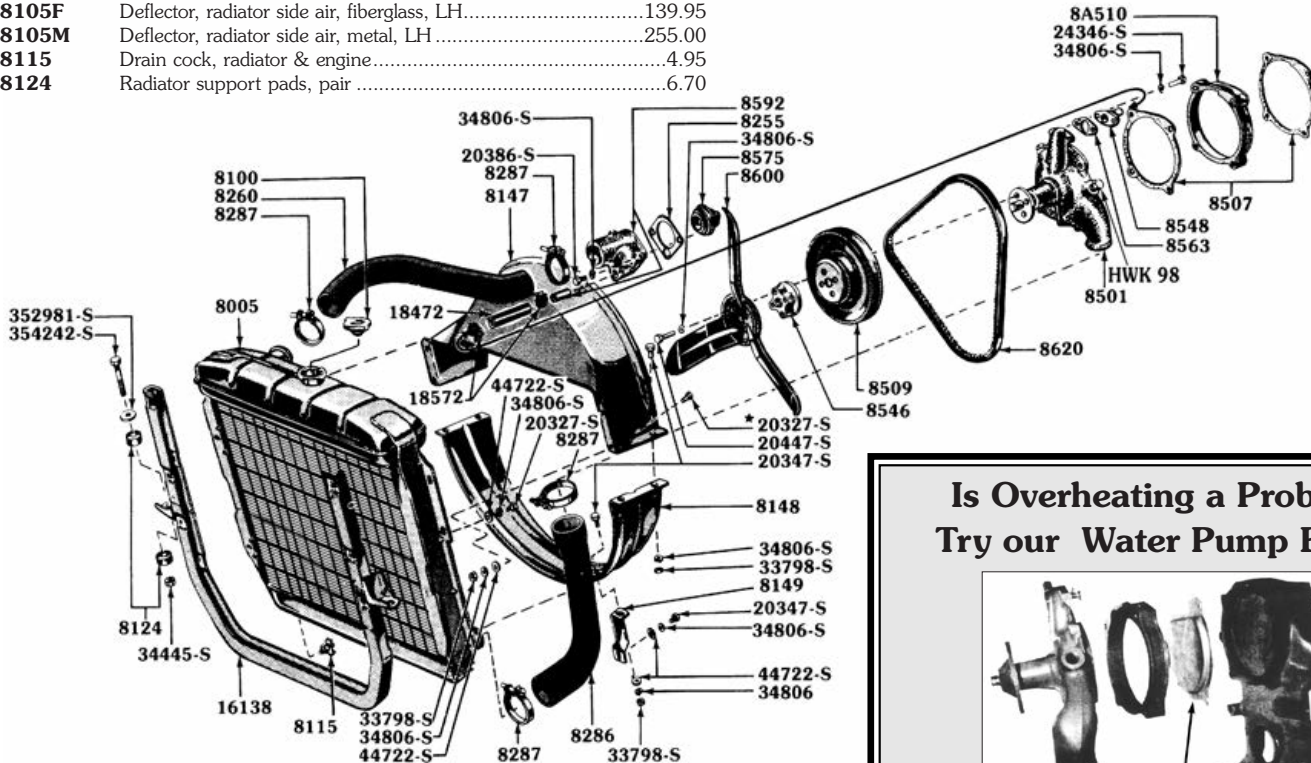


8147 & 8148



8148R

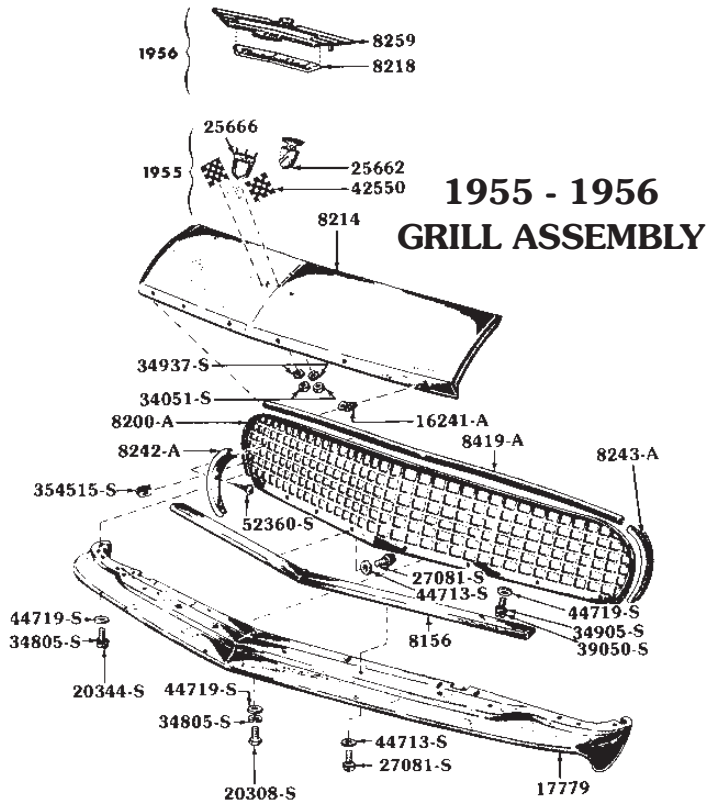
- 8147AKIT Kit, fan shroud; contains 8147, 8147A, 8148 and attaching nuts, bolts and washers, 55.....169.95
- 8147BKIT Kit, fan shroud; contains 8147, 8147A, 8148 and attaching nuts, bolts and washers, 56/57.....169.95
- 8147 Panel, fan shroud, upper.....99.95
- 8147A Seal, upper fan shroud to radiator.....3.50
- 8148 Panel, fan shroud, lower.....69.95
- 8148R Panel, fan shroud, lower, for additional cooling, repl. 8148.....80.00
- HWK 195A Radiator shroud halves to each other & to radiator, 55 Does not include HWK 93 (40 pcs-2 sides).....6.95
- HWK 195B Radiator shroud halves to each other & to radiator, 56/57. Does not include HWK 93 (19 pcs-2 sides).....7.70
- 8149 Bracket, lower fan shroud to radiator.....10.90
- 8149A Bracket, solders to lower radiator tank to connect 8149.....5.95
- 8149B 56/57 lower fan shroud bracket.....6.25
- HWK 93 Lower fan shroud bracket kit, (8 pcs).....2.50
- 8156 Moulding, radiator grille lower 55/56.....79.95
- HWK 5A 8200A to 8156, (24 pcs), 55/56.....5.50



**Is Overheating a Problem?
Try our Water Pump Baffle.**

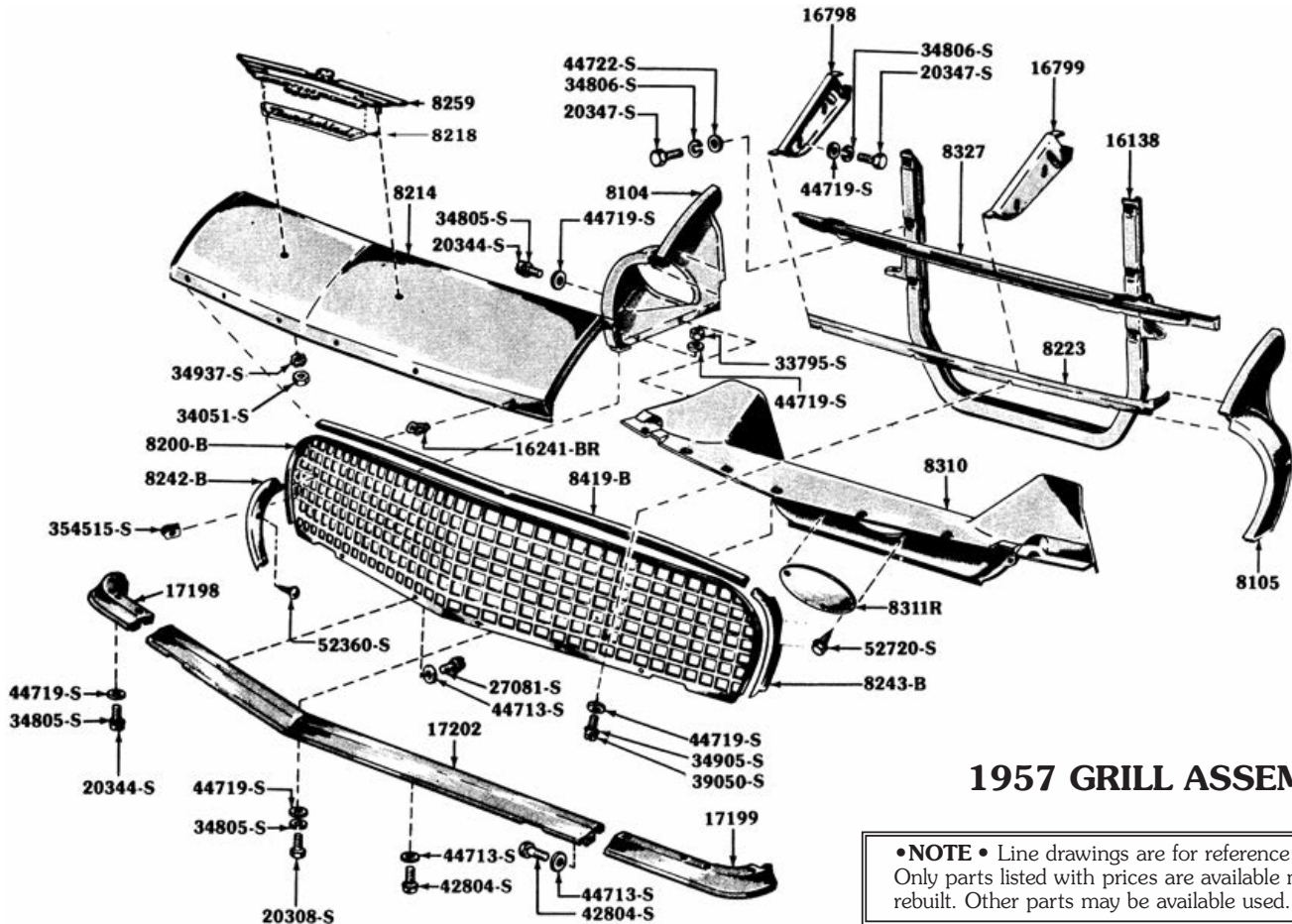
8501B Baffle, water pump. Helps prevent overheating by returning the cooling system to its designed efficiency. The Baffle is inserted between the water pump spacer and the front timing case cover. **STAINLESS STEEL** to prevent corrosion.....18.95

•NOTE • Line drawings are for reference only. Only parts listed with prices are available new or rebuilt. Other parts may be available used.



1955 - 1956 GRILL ASSEMBLY

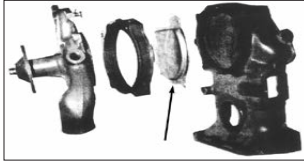
- HWK 5B 17779 to 8156, (24 pcs), 55/565.50
- 8200A Grill, radiator, 55/56.....349.95
- HWK 125A Grill Kit: grill to body & lower moulding (8156), lower moulding to front valance (17779), front valance to deflector panel (8310), front fenders and rear deflector panels (8104/5), and deflector panel access plate (8311) to deflector panel. Illustrated instructions included, 55/56 (138 pcs).....17.95
- 8200B Grill, radiator, 57.....349.95
- HWK 125B Grill Kit: grill to body and front chrome valance (17202), chrome valance to deflector panel (8310), deflector panel to rear deflectors (8104/5), chrome valance to ends (17198/9), ends to fenders, and deflector access plate (8311) to deflector panel. Illustrated instructions included, 57 (134 pcs)17.95
- 8218 Name plate, upper panel 56/5717.30
- 8223 Reinforcement brace, nose panel120.00
- 8242A Moulding, radiator grill, RH 55/5639.85
- 8242B Moulding, radiator grill, RH 5752.45
- 8243A Moulding, radiator grill, LH 55/56.....39.85
- 8243B Moulding, radiator grill, LH 5752.45
- HWK 80 8242/3 "C" moulding screw kit (6 pcs-2 sides)1.25
- HWK 128 Side grill mouldings to body w/clips (10 pcs-2 sides)3.30
- 8255 Gasket, thermostat housing90
- 8259 Ornament, radiator grill upper panel 56/5731.50
- HWK 6 Nose panel emblem (8259) to body, 56/57 (2 pcs)75
- 8260 Hose, radiator upper, moulded type, w/orig part no.....13.95
- 8260FS Hose, radiator upper with Ford script.....17.95
- 8286 Hose, lower radiator: This is an exact reproduction of the original hose with the kink in the top for exact fit with original part number.....13.95
- 8286FS Hose, radiator lower with Ford script17.95
- 8287K Clamp set, radiator hose, original type, 4 pieces, S/S7.95



1957 GRILL ASSEMBLY

•NOTE• Line drawings are for reference only. Only parts listed with prices are available new or rebuilt. Other parts may be available used.

- 8311 Inspection plate, lower deflector.....7.95
- HWK 126 Access plate (8311) to deflector panel (8310) (3 pcs)..... .75
- 8419A Moulding, grill upper 55/56.....59.95
- HWK 127A Upper grill moulding (8419A) to body, 55/56 (18 pcs).....5.95
- 8419B Moulding, grill upper 57.....59.95
- HWK 127B Upper grill moulding (8419B) to body, 57 (18 pcs).....6.95



8501B - Illustration



8501B - Water Pump Baffle

- 8501 Pump, water, M/S or P/S, new.....89.95
- 8501R Water pump, new with original numbers.....125.00
- 8501H Pump, water, high output.....149.90
- 8501X Pump, water, rebuilt orig Ford pump with correct number, exchange only.....59.00
- HWK 98 Pipe plug for water pump; cars without pr. steering and/or heater (1 pc).....1.30
- HWK 217A Water pump to engine with pr. steering (8pcs).....4.25
- HWK 217B Water pump to engine with manual steering (8 pcs).....3.95
- 8501B Baffle, water pump. Helps prevent overheating by returning the cooling system to its designed efficiency. The Baffle is inserted between the water pump spacer and the front timing case cover. (3 8507 gaskets required)
STAINLESS STEEL to prevent corrosion.....18.95
- NOTE•• This can not be used with high output water pump
- 8507 Gasket, water pump, spacer or baffle..... 1.05
- 8509A Pulley, water pump, 55/56.....99.75
- 8509SP Pulley, water pump, 55/56, 1" smaller for better cooling.....99.95
- 8546 Spacer, pulley to fan, exact reproduction.....13.95
- 8548 Tube, water by-pass, front.....9.30
- 8563 Gasket, water by-pass tube.....1.00

- 8575A Thermostat, 160 degrees.....8.25
- 8575B Thermostat, 180 degrees.....8.25
- 8575C Thermostat, 170 degrees, large opening.....21.95
- 8575D Thermostat, 192 degrees.....8.25
- 8592 Thermostat housing.....49.95
- 8255 Thermostat gasket......90
- HWK 225 Thermostat housing (8592) to manifold & by pass tube to water pump (8 pcs).....1.75



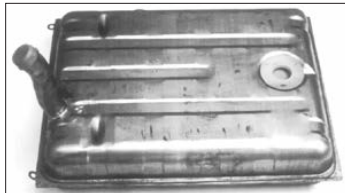
8600B - Fan



8601 - Fan Reinforcement Plate

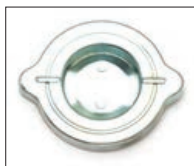
- 8600A Fan, 4 blade, used original.....29.95
- 8600B Fan, 6 blade, *HEAVY DUTY/EXTRA COOLING*.....49.95
- 8600C 12 volt electric pusher fan.....254.50
- 8600D 12 volt electric puller fan and shroud, replaces existing fan and shroud.....254.50
- 8600E A/C bracket kit for 8600C+D.....6.25
- HWK 234 Fan to water pump (8 pcs).....2.30
- 8601 Reinforcement plate, 3 bladed fan.....17.95
- 8620A Belt, fan.....19.95
- 8620B Belt, power steering.....17.95
- 8620C Belt, A/C.....12.95
- 8725 Clamp, square heater blower duct.....4.10
- 18489 Square heater duct.....19.00

FUEL SYSTEM



9002A - Fuel Tank

- 9002A Tank, fuel 55.....259.00
- 9002B Tank, fuel 56.....259.00
- 9002C Tank, fuel 57.....259.00
- 370322S "O" ring, 1957 gas tank neck to tank.....1.60
- 9A010A Bolt, gas tank strap as original, 55/56.....5.50
- 9A010B Bolt, gas tank strap, 57.....4.50



9030A

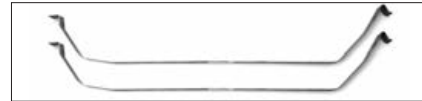


9030B



9030C

- 9030 Gas cap, replacement, 55/57.....5.95
- 9030A Gas cap, 55 recessed type, exact reproduction.....21.95
- 9030B Gas cap, 56 & early 57, exact reproduction.....21.95
- 9030C Gas cap, late 57, exact reproduction.....21.95
- 9030L Gas cap, locking, 57 only.....14.95
- 9034A Strap, gas tank filler neck, 57.....11.00
- 9034B Bracket, gas tank filler neck to 1/4 panel.....9.85
- 9034C Fuel filler neck, 57.....150.00
- HWK 101 Gas neck bracket (9034B) to body, 57 (2 pcs)......75
- HWK 114 Gas neck strap to body bracket (9034B), 57 (3 pcs).....1.30
- 9A068 Gas tank to trunk floor pad, each......90
- 9080 Grommet, fuel tank filler neck 55/56.....7.95

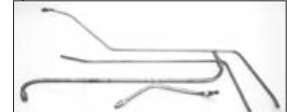


9092A - Gas Tank Strap

- 9092A Strap, gas tank, 55, each.....12.50
- 9092B Strap, gas tank, 56, each.....12.50
- 9092C Strap, gas tank, 57, each.....12.50
- 9092P Gas tank strap pads, pair.....3.85
- 9155 Filter ass'y., fuel.....24.95
- 9155E Filter ass'y., dual carbs, exact reproduction.....495.00
- 87972S Fuel filter brass fittings, 2 required.....2.95



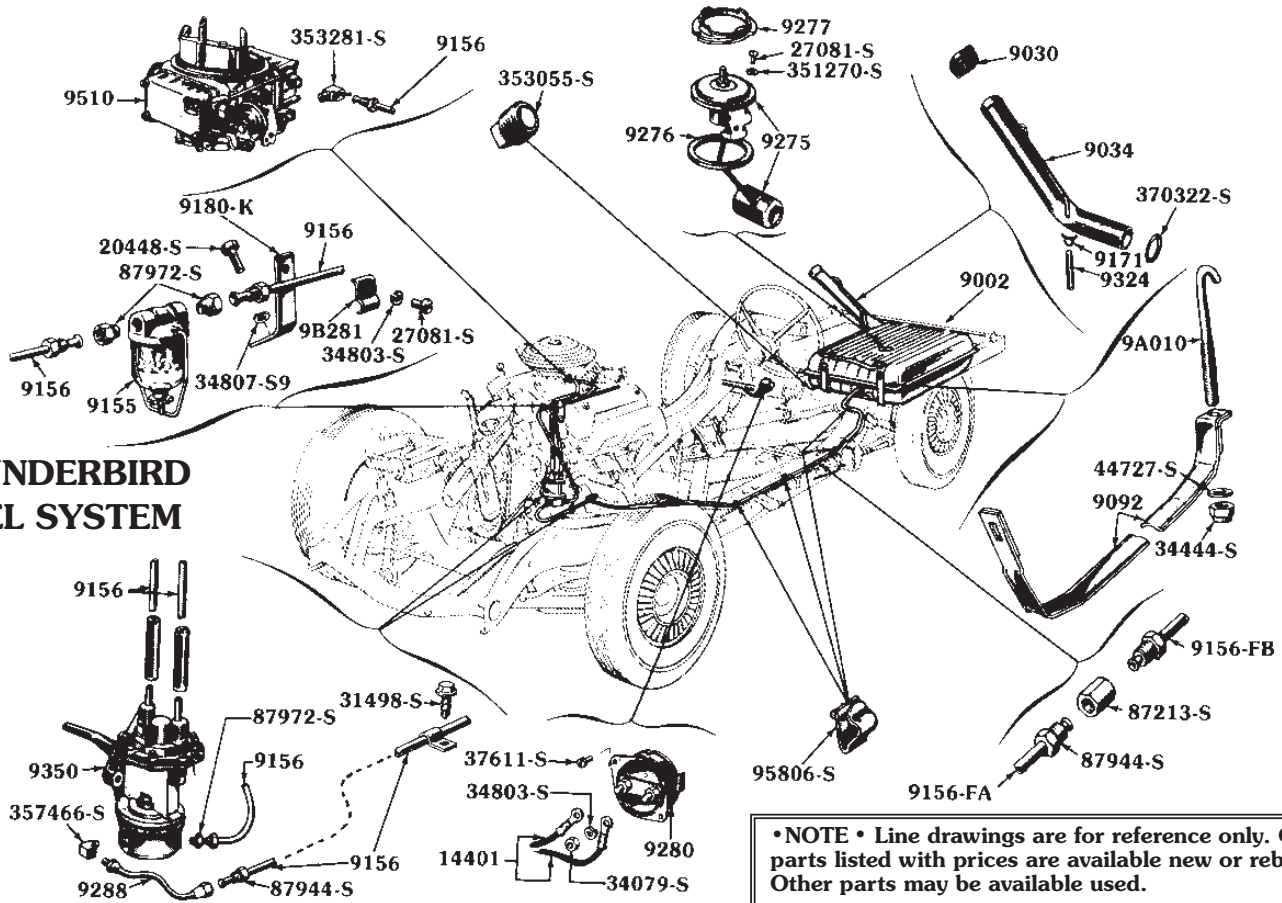
9156A - Clip



9156B - Fuel & Vacuum Lines

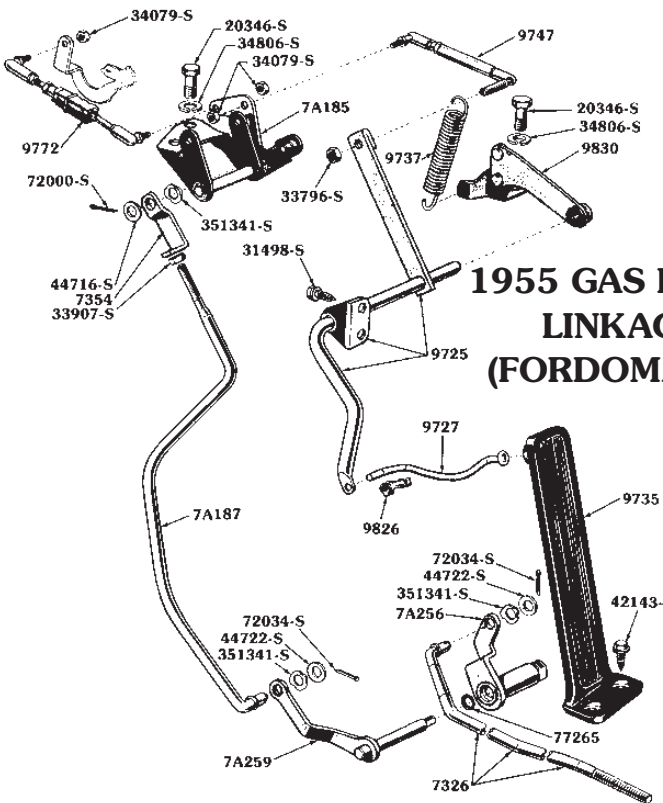
- 9156A Clips, hold vacuum lines together along intake manifold, as original, pair.....2.95
- 9156B Fuel and vacuum line set, 2 fuel & 2 vac., 55.....29.95
- 9156BSS As above, s/s.....47.95
- 9156BPF Fuel line, pump to filter, 55.....9.95
- 9156BPFSS As above, s/s.....14.90
- 9156BFC Fuel line, filter to carburetor, 55.....9.95
- 9156BFCSS As above, s/s.....14.90
- 9156BV Vacuum lines, pair, 55.....12.95
- 9156BVSS As above, s/s.....22.95
- 9156C Fuel and vacuum line set, 2 fuel & 2 vac., 56.....29.95
- 9156CSS As above, s/s.....47.95
- 9156CPF Fuel line, pump to filter, 56.....9.95
- 9156CPFSS As above, s/s.....14.90
- 9156CFC Fuel line, filter to carburetor, 56.....9.95
- 9156CFCSS As above, s/s.....14.90
- 9156CV Vacuum lines, pair, 56.....12.95
- 9156CVSS As above, s/s.....22.95

THUNDERBIRD FUEL SYSTEM

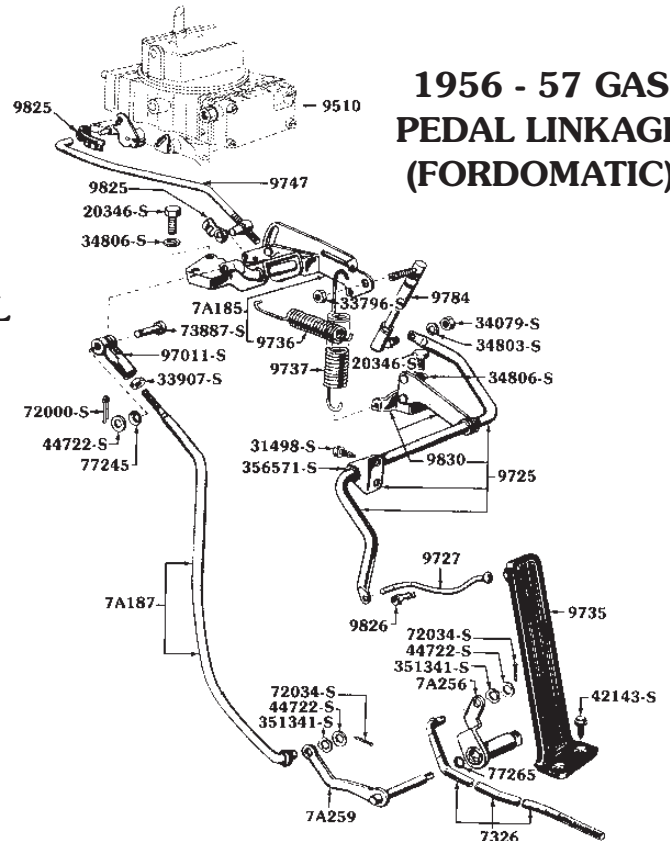


• NOTE • Line drawings are for reference only. Only parts listed with prices are available new or rebuilt. Other parts may be available used.

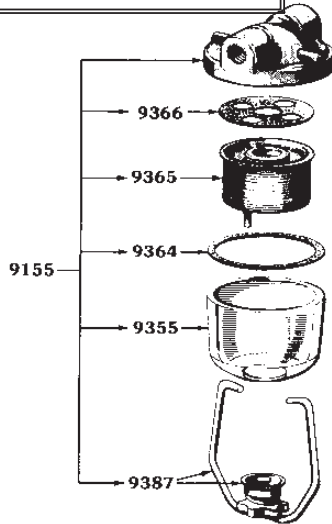
1955 GAS PEDAL LINKAGE (FORDOMATIC)



1956 - 57 GAS PEDAL LINKAGE (FORDOMATIC)



•NOTE • Line drawings are for reference only.



FUEL FILTER ASSEMBLY

9156D	Fuel and vacuum line set, 2 fuel & 2 vac., 57	29.95
9156DSS	As above, s/s.....	47.95
9156DPF	Fuel line, pump to filter, 57	9.95
9156DPFSS	As above, s/s	14.90
9156DFC	Fuel line, filter to carburetor, 57.....	9.95
9156DFCSS	As above, s/s	14.90
9156DV	Vacuum lines, pair, 57	12.95
9156DVSS	As above, s/s	22.95
9156E6	Fuel and vac. line set, dual carb setup (6 pcs; 4 fuel, 2 vac.).....	29.95
9156E6SS	As above, s/s	44.95
9156E8	As 9156E6, with dist. vacuum & power brake vacuum	40.95
9156E8SS	As above, s/s	57.95
9156EPF	Fuel line, pump to filter, 57 dual carbs.....	9.95
9156EPFSS	As above, s/s	14.90
9156FA	Fuel line, formed steel with proper covering, from flex line to midpoint of frame.....	36.95
9156FASS	As above, s/s	55.40
9156FB	Fuel line formed steel with proper covering, from midpoint of frame to gas tank, 55	36.95
9156FBSS	As above, s/s	55.40
9156FC	Fuel line, midpoint of frame to gas tank, 56	36.95
9156FCSS	As above, s/s	55.40
9156FD	Fuel line, down frame, midpoint of frame to gas tank, 57.....	36.95
9156FDSS	As above, s/s	55.40



9180K - Fuel Filter Bracket Assembly

9180K	Bracket assembly, fuel filter, includes 9180, 9B281, 34803-S & 27081-S.....	6.75
9202A	Float, gas tank sending unit, 55/56	9.95
9202B	Float, gas tank sending unit, 57	5.95
9229	Gasket, carb. fitting, 55/56.....	.75



9275C - Fuel Tank Sending Unit

9275A	Sending unit, fuel tank unit, 55, 6 volt, with gasket	54.95
9275B	Sending unit, fuel tank unit, 56, 12 volt, with gasket	54.95
9275C	Sending unit, fuel tank unit, 57	69.95
•HWK 87	Sending unit to gas tank, 55/56 (6 pcs)	1.95

9276A	Gasket, fuel sender, 55/56	1.55
9276B	Gasket, fuel sender, 57	1.55
9277	Gas tank sending unit lock ring, 57.....	9.95
9278	Sending unit, engine oil pressure	10.95
9280B	55/56 12 volt fuel gauge and sending unit, RE	149.95
9B281	Clip, fuel filter bracket, fuel line.....	1.65
9288E	Flex line, fuel pump to fuel tank, replacement.....	12.00
9324K	Gas tank overflow hose and clamps, 57	1.95



9350
Fuel Pump



9A427
Heat Riser Valve



9A427D
Spacer



9A427S
Spacer

9350	Fuel pump, new.....	89.95
87972S	Brass fitting, fuel pump to line.....	2.95
357466S	Brass elbow, fuel pump to flex hose.....	3.95
•HWK 226	Fuel pump to timing case cover (4 pcs)	1.15
9350A	Gasket, fuel pump.....	1.00
9364	Gasket, fuel pump filter bowl.....	1.60
9365	Strainer & gasket, fuel filter	5.50
9424	Aluminum intake, 57 4Bbl.....	525.00
9A427	Valve, heat riser	79.95
9A427D	Valve, heat riser, without flapper, requires 2 9450 gaskets.....	79.95
9A427S	Spacer, replaces heat riser valve	19.95
9430	Exhaust manifold, RH	250.00
9431	Exhaust manifold, LH.....	250.00
9430H	Headers, ceramic coated, pair	495.00
9432	Gasket, exhaust manifold to head, set of 2	12.95
•HWK 238A	RH w/man stg exhaust manifold to head studs & washers (14 pcs).....	9.95
•HWK 238B	LH exhaust manifold studs and washers (14 pcs).....	9.95
•HWK 239A	Exhaust manifolds to heads, manual steering, (28 pcs-2 sides).....	19.95
•HWK 239B	Exhaust manifolds to heads, pr. steering (28 pcs-2 sides)	19.95
•HWK 240A	Exhaust manifold studs & brass nuts to header pipes (6 pcs, 1 side)	9.95



9433R - Intake Manifold Gasket Set

9433	Gasket set, intake manifold.....	14.95
9433R	Gasket set, intake manifold, with restricted ports to help prevent burning the intake manifold paint	17.95
•HWK 222A	Intake manifold to engine. Does not include 4 center studs or cupped washers (15 pcs)	6.25
•HWK 222B	Intake manifold to engine. Does not include 4 center cupped washers (19 pcs).....	9.95



9447D

Carburetor Spacers



9447F

9447A	Gasket, carburetor, 55/56	1.95
9447B	Gasket, carburetor, 57, 4 bbl	1.95
9447C	Gasket, carburetor, 57, 2 bbl	1.95

9447CR	Spacer plate, carburetor, 55/56.....	36.95
9447	Gasket, carburetor, 55/56, thick type.....	2.25
9447P	Gasket pack, carburetor, 55/56; 4-9447.....	8.50
9447E	Spacer plate, dual carbs, metal, pair.....	34.95
9447D	Spacer plate, carburetor, 57, 4 barrel.....	36.95
9447F	Spacer plate with tube for PCV, 55/56, 4 barrel.....	39.95
9447G	Spacer plate with tube for PCV, 57, 4 barrel.....	39.95
9447H	Adapter plate, 57 carb to 55/56 manifold, 4 barrel.....	64.95
9450	Gasket, exhaust flange and heat riser valve.....	2.50



9492
Choke Button



9503A
Diaphragm

9492	Choke "mushroom" button, 57.....	8.35
9503A	Diaphragm, carburetor secondary throttle, 55/56, 57 dual 4BBL.....	23.95
9503B	Diaphragm, carburetor secondary throttle, 57.....	12.95



9510AX

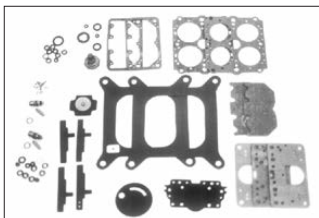


9510BX



9510C

9510AX	Carburetor ass'y., 55, rebuilt, exchange only.....	475.00
9510BX	Carburetor ass'y., 56, rebuilt, exchange only.....	475.00
9510C	Carburetor ass'y., 57, 2BBL, manual choke.....	349.00
9510D	Carburetor ass'y., 57, 4BBL, replacement.....	439.95
9510DX	Carburetor ass'y., 57, original, rebuilt.....	475.00
••NOTE••	Carburetor cores must be complete, assembled and in a rebuildable condition	
E9510A	Edelbrock carburetor, 500 CFM with electric choke, 57.....	422.53
E1486	Calibration kit, (jets + rods) for E9510A carb.	61.02
E1803	Edelbrock 500 CFM Thunder Carb.....	444.75
9A520	Carburetor fitting, 55/56.....	12.95
9520C	Fuel line with fitting for 57 replacement carb.....	25.95
9520C S/S	Fuel line with fitting for 57 replacement carb, stainless steel.....	29.35
•HWK 221	Intake manifold carburetor studs (4 pcs).....	6.95
•HWK 223	Carburetor to intake manifold, nuts & washers only, 55/56 (8 pcs).....	1.95
•HWK 224	Carburetor to intake manifold, nuts & washers only, 57 (8 pcs).....	1.95
9B550A	Bracket, carb dashpot, 55/56.....	20.50
9B550B	Bracket, carb dashpot, 57.....	18.85



9A586CA - Carburetor Overhaul Kit

9A586A	Kit, carburetor overhaul, 55/56, 4BBL includes 2nd diaphragm.....	79.95
9A586CA	Kit, carburetor overhaul, 57, 4BBL, aftermarket.....	44.95
9A586CH	Kit, carburetor overhaul, 57, 4BBL, Holly.....	79.95
9A586D	Kit, carburetor overhaul, 57, dual 4BBL, each.....	79.95
9A586E	Kit, carburetor overhaul, 57, 2BBL.....	29.95
9A599	Link, choke to carb., 55.....	13.60



960055 - Air Cleaner

9600R	Air cleaner with chrome top, 56, oil bath type; An exact reproduction of the original; replacement for 55.....	295.00
960055	Air cleaner with chrome top, paper filter type, 55.....	CALL
960056	Air cleaner with chrome top, paper filter type, 56.....	CALL
960057	Air cleaner with chrome top, 57.....	CALL
9600A	Cork, air cleaner to hood seal.....	4.15
9600B55	Wing nut, air cleaner, 55/56.....	.80
9600BC55	Wing nut, air cleaner, chrome, 55/56.....	3.00
9600B57	Wing nut, air cleaner, 57.....	1.00
9600BRC57	Wing nut, air cleaner, 57, chrome.....	3.00



9600C - Dome Cover

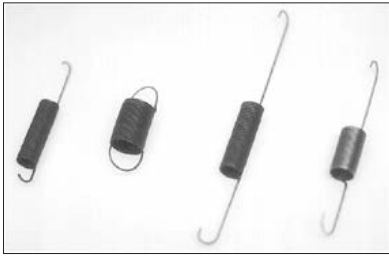
9601	Element, air cleaner, 57.....	10.95
9601A	Element, air cleaner, for 57 with two 4-BBL's.....	28.95
9601C	Element, air cleaner, 55 or 56 replacement air cleaner.....	11.95
9654	Gasket, air cleaner to carburetor.....	2.05
9A659A	Stud, carb to air cleaner, 55.....	10.45
9A659B	Stud, carb to air cleaner, 56.....	11.50
9A659C	Stud, carb to air cleaner, 57.....	1.30
9673	Gasket, air cleaner top to bottom 55/56.....	2.40
9724	Bellcrank, center, between dual carbs.....	150.00
9725	Accelerator ass'y., 56/57, Fordomatic trans.....	62.95
9725A	Arm only, must be brazed onto your 9725 ass'y., dual carbs, Fordomatic trans.....	13.95
9725B	Arm only, must be brazed onto your 9725 ass'y., dual carbs, standard transmission.....	29.95
9725C	Accelerator ass'y., Fordomatic trans, dual carbs.....	149.95
9725D	Accelerator ass'y, std transmission.....	49.95
9725E	56/57 std. transmission dual carb bellcrank.....	129.95
•HWK 241	Accelerator bellcrank to intake manifold (4 pcs).....	.85
9727	Rod, gas pedal.....	6.95
9727A	Seal, gas pedal rod to firewall.....	1.05



9735 - Gas Pedal

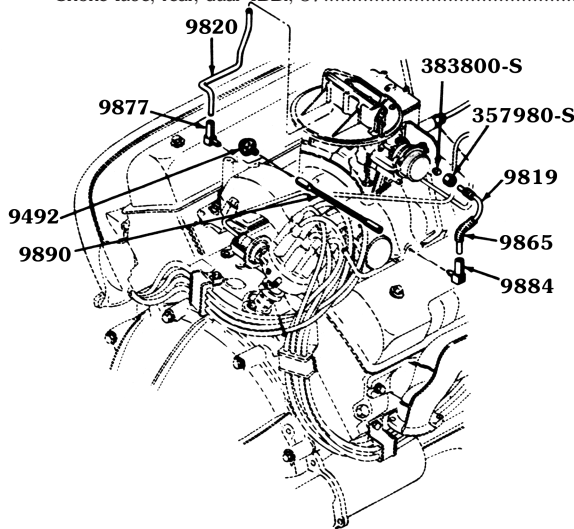
9735	Gas pedal.....	12.95
•HWK 90	Gas pedal to floor (2 pcs).....	.75
•HWK 158	Gas pedal to floor & bracket to firewall (4 pcs).....	1.50

Using part numbers saves time.



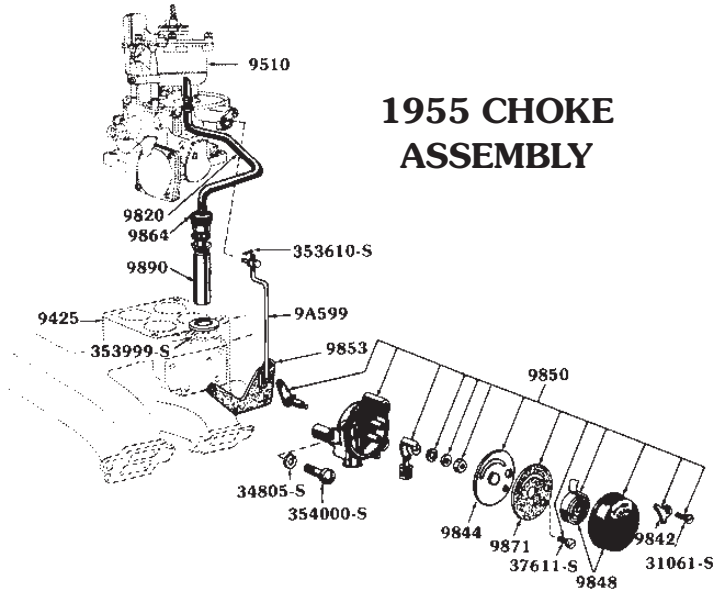
9736 9737A 9737B 9737C
Springs

9736	Spring, throttle kick down	3.95
9737A	Spring, throttle return, 55/56	4.15
9737B	Spring, throttle return, 57	4.95
9737C	Spring, throttle return, dual carb, 57	4.95
9747A	Synchronizer ass'y., dual carbs, RH	99.00
9747D	Throttle rod to bellcrank, 56	12.95
9747E	Throttle rod to bellcrank, FM, 57	10.40
9747G	Throttle rod to bellcrank, std. and std. with OD, 55-56	13.95
9747H	Throttle rod to bellcrank, 57 3 speed	39.00
9747I	Throttle rod to bellcrank, 57 OD	79.95
9772	Rod assembly, bellcrank to carb, 55 For/OD, 56 OD	89.95
9784A	Linkage, carb to bellcrank, 55	44.95
9784	Linkage, carb to bellcrank, FM, 56	44.95
9784C	Linkage, carb to bellcrank, 57	44.95
9819A	Choke tube, outlet, with fittings, 56	4.00
9819ASS	As above, s/s	6.00
9819B	Choke tube, outlet, with fittings, 57	4.00
9819BSS	As above, s/s	6.00
9819E	Choke tube, front, dual 4BBL, 57	13.50
9819F	Choke tube, rear, dual 4BBL, 57	13.50
9819/20E	Choke tubes, 4 piece set, dual carbs, with insulators	32.00
9819/20ESS	Choke tubes, 4 piece set, dual carbs, with insulators, Stainless	40.00
9820A	Choke tube, inlet, 55	8.95
9820ASS	As above, s/s	14.90
9820B	Choke tube, inlet, 56	16.95
9820BSS	As above, s/s	23.95
9820E	Choke tube, front, dual 4BBL, 57	13.50
9820F	Choke tube, rear, dual 4BBL, 57	13.50



1956-57 CHOKE HEAT TUBE ASSEMBLY

9825	Clip, carb. linkage60
9826	Clip, accelerator linkage60
9848A	Cover and spring ass'y., automatic choke, 55/56	17.40
9848B	Cover and spring ass'y., automatic choke, 57	13.95
9848C	57 Holley electric choke cover	37.95
9853	Gasket, choke housing to manifold, 55	1.25
9861A	Heat shield, choke ass'y., 56	10.45
9864	Nut, manifold choke tube, 55	12.55



1955 CHOKE ASSEMBLY

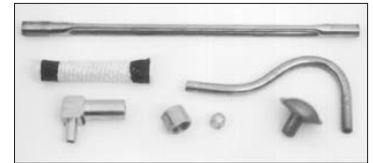


9865A - Auto Choke Tube Insulator

9865A	Insulator, auto choke tube, 56	3.95
9865B	Insulator, auto choke tube, 4BBL carb., 57	4.25
9865C	Insulator, auto choke tube, 2BBL carb., 57	4.50
9865D	Insulators, auto choke tubes, dual 4 BBL, 57, pair	6.95
9871A	Gasket, choke cover, 55/56	1.95
9871B	Gasket, choke cover 57	1.95
9877	Elbow, choke control tube inlet, 56	9.50
9884	Elbow, choke control tube outlet, 56/57	9.50
9890A	Tube, choke control heat, 55	9.95
9890B	Tube, choke control heat, 56/57	15.95
9890E	Tube, choke control heat, 57 dual 4BBL	15.95
ACC 51	Choke tube punch, to remove the 9890 choke heat tube	11.95



9891AK



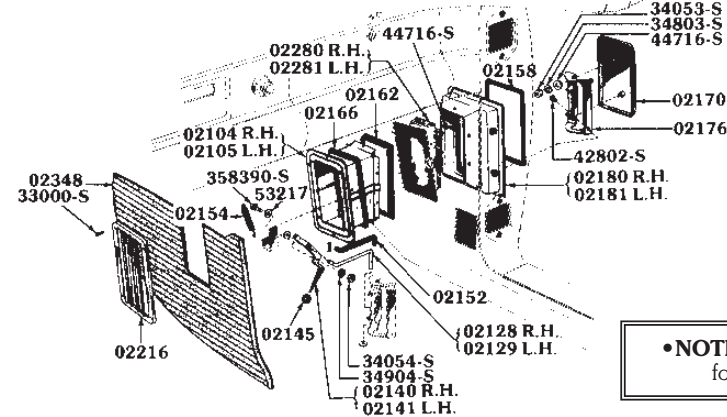
9891BK

Choke Tube Kits

9891AK	Kit, choke tube and insulators, 56, includes 9819A, 9820B, 9865A, 9877, 9884 & 9890B	49.95
9891BK	Kit, choke tube and insulators, 57, includes 9819B, 9865B, 9884, 9492 & 9890B	34.95
9891AK-SS	Kit, stainless steel choke tube and insulators, 56, includes 9819A, 9820B, 9865A, 9877, 9884 & 9890B	57.95
9891BK-SS	Kit, stainless steel choke tube and insulators, 57, includes 9819B, 9865B, 9884, 9492 & 9890B	36.95
01605A	Firewall cover; quality waterproof board with rubber trim and fiberglass insulation; die cut for exact fit	44.95
01605B	Fasteners, firewall cover, replacement set of 12	9.95
01605C	Firewall grom. set, consisting of 1 each wire loom, hood cable, tach cable, w/s washer hose, vac. hose and R.H. vent cable grom. Per set	14.50
01605D	Fasteners, firewall cover, as original, set of 12	35.95
01694	Grommet, O/D cable, at firewall	6.95

•NOTE• Line drawings are for reference only. Only parts listed with prices are available new or rebuilt. Other parts may be available used.

1956 - 57 FENDER VENT



01820 - Fresh Air Duct Scoop

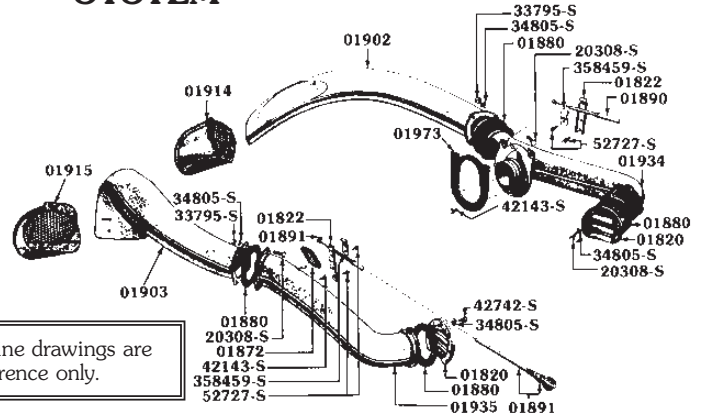
- 01820** Scoop, fresh air duct, above kick panel18.85
- HWK 147** Air deflector scoops (01820) to body (6 pcs-2 sides)1.55
- 01822** Bracket, vent cable control, with clip.....7.85
- 01822A** Clip vent cable control.....3.15
- HWK 206** Fresh air cable brackets (01822) to inner fenders & clip to brackets (6 pcs-2 sides)95
- 01872** Gasket, vent air duct to fender apron, LH95
- 01880** Gasket, air vent tubes, 4 req1.30



01890 - Air Vent Control Assembly

- 01890** Control ass'y, RH air vent41.95
- 01A890** Air duct gasket set, consists of 4-01880, 1-01872, 1-01973.....6.80
- 01891** Control ass'y, LH air vent.....41.95
- 01902** Duct ass'y., RH inlet, fiberglass.....170.00
- 01903** Duct ass'y., LH inlet, fiberglass.....170.00
- 01914F** Scoop ass'y., RH, fiberglass, includes screen79.95
- 01914** Scoop ass'y., RH, metal, includes screen.....89.95
- 01914A** Screen, air duct scoop, RH3.70
- 01915F** Scoop ass'y., LH, fiberglass, includes screen79.95
- 01915** Scoop ass'y., LH, metal, includes screen.....89.95
- 01915A** Screen, air duct scoop, LH.....3.70
- 01934** Duct ass'y., RH outlet, fiberglass,w/orig. style flapper valve....210.00
- 01935** Duct ass'y., LH outlet, fiberglass,w/orig. style flapper valve....210.00
- HWK 246A** Steel air ducts to scoops & aprons (63 pcs-2 sides)9.50
- HWK 246B** Fiberglass air ducts to scoops & aprons (116 pcs-2 sides)9.50
- 01973** Seal, vent air duct to fender apron, RH.....1.15
- 02104** RH, steel vent box, 56/57120.00
- 02105** LH, steel vent box, 56/57.....120.00
- 02128** Rod, side vent control, 56/57, RH.....7.00
- 02129** Rod, side vent control, 56/57, LH7.00
- 02140** Vent door actuating rod, RH.....14.00
- 02141** Vent door actuating rod, LH14.00
- 02145** Knob, vent lever, with screwdriver impression, all 57's except early production, each4.65
- 02145R** Knob, vent lever, without screwdriver impression, 56-early 57, each4.65

FRESH AIR DUCT SYSTEM



•NOTE• Line drawings are for reference only.

- 02154** Spring, vent door, each.....5.50
- 02158** Seal, vent door, moulded rubber as original 56/57, each8.95
- 02158D** Seal, vent door, die cut, replacement type, 56/57, each2.95

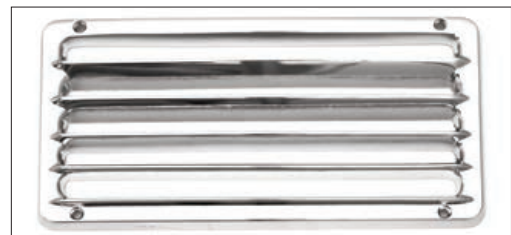


02162 - Flapper Valve Rod



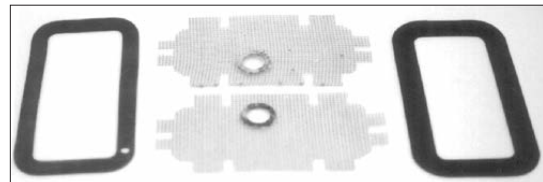
02162A - Flapper Valve

- 02162** Rod, flapper valve.....11.95
- 02162A** Flapper Valve, air duct, RH or LH each.....17.95
- 02162B** Seal, cowl vent screen.....2.10
- 02166** Seal, cowl vent to inner fender2.00
- HWK 148** Rectangular side vent spacer ducts, fenders to aprons (36 pcs-2 sides).....5.95
- 02176** Hinge, cowl vent door to body20.95
- HWK 113A** Cowl vent doors to hinges & hinges to body (16 pcs-2 sides).....1.75
- HWK 113B** Cowl vent doors to hinges & hinges to body includes studs (20 pcs-2 sides).....4.95



02216 - Side Vent Grill

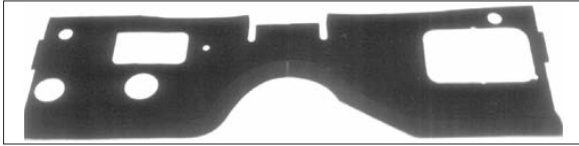
- 02216** Grill, inside, fender fresh air side vent, 56/57.....29.95
- HWK 7** Chrome side vent grills to kick panels, 56/57 (8 pcs).....1.55



02166 02280/1 02162B

Fresh Air Screens & Seals

- 02280** Screen, fender fresh air side vent, RH, 56/576.25
- 02281** Screen, fender fresh air side vent, LH, 56/57.....6.25



01605A - Firewall Cover

01605A Firewall cover; quality waterproof board with rubber trim and fiberglass insulation; die cut for exact fit44.95



01605B - Firewall Fastener

01605B Fasteners, firewall cover, replacement, set of 129.95



01605C - Firewall Grommets

01605C Firewall grom. set, consisting of 1 each wire loom, hood cable, tach cable, w/s washer hose, vac. hose and R.H. vent cable grom. Per set14.50

01605D Fasteners, firewall cover, as original, set of 1235.95

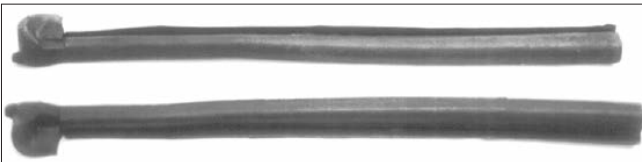
01694 Grommet, O/D cable, at firewall.....6.95



02354 / 02355 - Kick Panel Retainer

02354 Retainer, kick panel, RH.....49.95

02355 Retainer, kick panel, LH.....49.95



02626 / 02627 - Front Pillar Weatherstrip

02626 Weatherstrip, front body pillar (screws to windshield post) RH19.95

02627 Weatherstrip, front body pillar, (screws to windshield post) LH19.95

•HWK 8 W/shield pillar w/strip (02626/7) to w/shield posts (8 pcs-2 sides)1.75

03094A Cover, windshield moulding joint, 555.95

03094B Cover, windshield moulding joint, 56/57.....5.95

03100C Windshield, clear399.00

03100T Windshield, tinted.....425.00

••NOTE•• Windshields must be shipped to commercial address only

03110 Weatherstrip, windshield.....62.95

•HWK 9 Inside w/shield mouldings to w/shield frame, excludes mirror & visor mounting (17 pcs). For visor bracket & clip screws see HWK 11.....3.70

•HWK 131 Outside side w/shield mouldings (03136/7) to w/shield frame (12 pcs-2 sides)1.95

03138 Retaining clip, side trim (03136) to lower trim (03148)4.25

03178/9 Retainer strips, windshield, pair20.75

03180 Clip, outside windshield molding.....3.50

03227 Frame only, vent window RH or LH42.95

03228C Windwing ass'y., clear glass with FoMoCo insignia, RH78.95

03228T Windwing ass'y., tinted glass with FoMoCo insignia, RH.....79.95

03229C Windwing ass'y., clear glass with FoMoCo insignia, LH.....78.95

03229T Windwing ass'y., tinted glass with FoMoCo insignia, LH.....79.95

03229A Retainer strip, windwing glass1.45

03230 Hinge, windwing, upper, with rivets, RH19.75

03231 Hinge, windwing, upper, with rivets, LH.....19.75

03232 Hinge, windwing, lower, RH.....19.75

03233 Hinge, windwing, lower, LH19.75

•HWK 10 Lower windwing hinges to pillars (8 pcs-2 sides)1.45

03234 Bushing, windwing hinge2.40

03238C Glass, windwing, with FoMoCo insignia, clear18.00

03238T Glass, windwing, with FoMoCo insignia, tinted18.50

03458 Pin guide, front top10.45

03474 Front dowel pin striker, chrome.....24.95

03654 Clip, center inside windshield moulding.....13.60



04104B - Visors

04104A Visors, less bracket & screws, 56, white, includes S clip, pair165.00

04104B Visors, less bracket & screws, 57, white (BW), red (BR), blue (BB), green (BG) & bronze (BZ), includes S clip, pair165.00

04104C Clip, chrome S shaped at end of visor.....4.95



04132 - Visor Clip

04132 Chrome visor clip, 56/5719.95

04144A Arm & bracket assembly, RH, 5640.00

04145A Arm & bracket assembly, LH, 5640.00

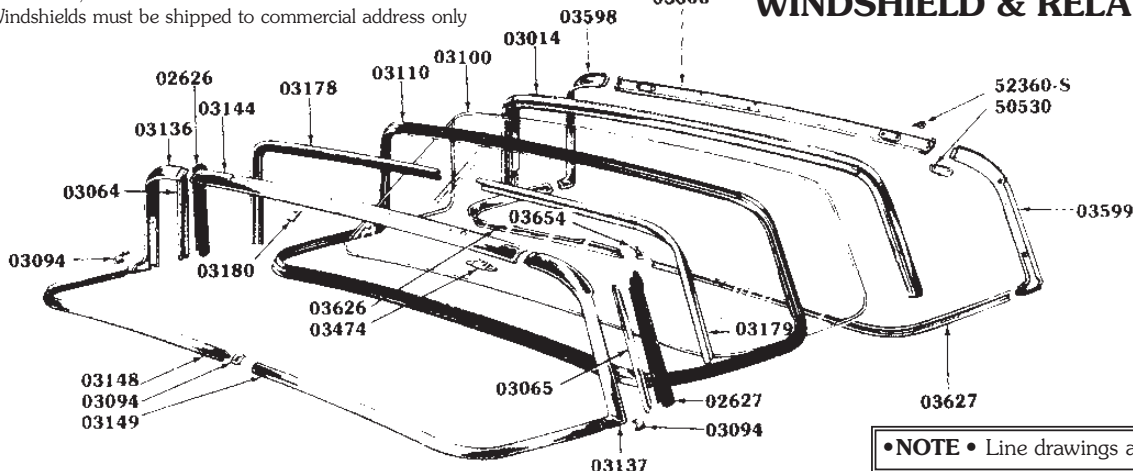
04144B Arm & bracket assembly, RH, 5740.00

04145B Arm & bracket assembly, LH, 5740.00



04144 - Visor Arm & Bracket

WINDSHIELD & RELATED PARTS



•NOTE• Line drawings are for reference only.

HOW TO ORDER:

TELEPHONE ORDERS: You may place your order by telephone Monday through Friday between 8 A.M. and 5 P.M. West Coast time. We will accept Visa, MasterCard, AmEx and Discover cards. Please give us correct part numbers when ordering. Even though we are here to help, we are not trained automotive technicians.

Place your orders toll-free!**TOLL FREE PHONE 800-227-2174****TOLL FREE FAX 800-964-1957****LOCAL PHONE 925-825-9550****LOCAL FAX 925-689-1771****Email: parts@tbirdhq.com****Web: www.tbirdhq.com**

You should consult local machine shops and mechanics regarding technical advise. Technical information is also included in the shop manuals available in this catalog.

FAX ORDERS: Please feel free to use our 24 hour FAX machine to send in your orders. Our FAX number is 925-689-1771.

MAIL ORDERS: Please try to list parts in numerical order with a complete description. Be sure to give us all the information so we will be able to accurately fill your order. Shipments are normally made within 48 hours of receipt. Visa, MasterCard, AmEx, Discover and Postal Money Orders are accepted.

SHOP IN PERSON: If you are in the Bay Area of Northern California, please visit our showroom. Our showroom is open for counter sales Monday through Friday from 8 A.M. to 5 P.M. We are closed on Saturdays, Sundays and all major holidays.

SHIPPING POLICY:

GUARANTEE AND RETURNS: All of our parts are guaranteed! If you are not satisfied with any part, simply return it to us in an undamaged condition within 30 days for an exchange or a refund. Returns will not be accepted on items with which installation has been attempted. All returns must be returned **PREPAID** and shipped the least expensive way. Shipping will be paid both ways if it is our error. All returns **MUST** have a copy of the invoice and may be subject to a restocking charge. **NO EXCEPTIONS will be allowed!** The liability of Thunderbird Headquarters is limited only to the replacement of defective parts. No labor claims will be honored.

SHIPMENTS INSIDE THE CONTINENTAL U.S. We ship by UPS or FedEx within the U.S. whenever possible. Our standard shipping charge is 10% of the order total. There is a minimum shipping charge of \$9.00 and a maximum charge of \$50.00 on most parts. 1/4 panels, tires, wire wheels, windshields, exhaust pipes and mufflers, continental kits, brake drums, brake conversion kits, gas tanks, radiators, AC kits, QuietRide kits, batteries, and convertible top frames will be charged actual freight and may need to be shipped by freight truck. If you need to request UPS Next Day or 2nd Day Air or 3rd Day Select Service you will be charged the actual shipping cost, plus a \$5.00 handling fee.

SHIPMENTS TO ALASKA, HAWAII AND PUERTO RICO: Shipments are normally made by U.P.S. If Parcel Post is requested, a 20% charge will be added for special handling. Actual shipping charges must be paid by the purchaser.

SHIPMENTS TO APOs AND FPOs: Your order must be prepaid by credit card or postal money order. No C.O.D. orders will be accepted. Shipments are made by Parcel Post. A 20% charge will be added for special handling. Actual shipping must be paid by the purchaser.

INTERNATIONAL SHIPMENTS: Your order must be prepaid by bank card or wire transfer. Please specify UPS, FedEx, DHL or post office. If Parcel Post is requested, a 20% charge will be added for special handling. Actual shipping charges must be paid by the purchaser. All Customs Duties and clearance costs must be paid by the purchaser upon delivery. We do not ship by ocean freight.

FREIGHT TRUCK SHIPMENTS: Certain items may be too large or too heavy to be shipped by U.P.S. These items must be prepaid by postal money order or bank card. Actual shipping charges must be paid by the purchaser. A \$5.00 special handling charge will be added to all freight truck shipments.

BACKORDERS: If a part is temporarily out of stock we will backorder the item and ship it as soon as possible. **If you are using Visa, MasterCard, AmEx or Discover, you WILL NOT** be billed for backordered items until they are shipped. If you have paid by money order we will refund you if we cannot ship the item within 30 days.

INQUIRIES: Please call our Customer Service Department at 925-825-9550 Monday through Friday, 9 A.M. to 4:30 P.M., West Coast Time to check on the status of your order. **Please do not use our toll free line for inquiries.**

QUANTITY DISCOUNTS: We offer a quantity discount of 10% on orders for new parts and upholstery over \$1000.00 paid in advance by cash or certified funds or 7% on credit cards (Visa, MasterCard, AmEx and Discover). Used parts, tires, wire wheels, A/C units, wire wheel hubcaps, exhaust pipe kits, bumper guards, conv't top frames, upholstery kits, continental kits, disc brake conversion kits, power steering conversion kits and brake booster kits do not qualify for discount. **These excluded items have already been discounted. Discounted orders can only be shipped to one location.**

DAMAGES OR SHORTAGES: Should you receive damaged merchandise or missing merchandise due to a broken box contact the shipping company, (UPS, FedEx, Post Office, Freight Truck Line, etc.) immediately. They will start the claim procedure. **Do not** ship the parts back to us until the claim is resolved. **Keep all boxes and packing material as they may want to inspect them. We will do everything we can to see that your claim is taken care of.**

PRICING: Due to price changes by our suppliers we must reserve the right to change prices without notice.

LIABILITY: The seller, Thunderbird Headquarters, hereby expressly disclaims all warranties, either expressed or implied, including any implied warranty or merchantability of fitness for a particular purpose, and Thunderbird Headquarters neither assumes nor authorizes any other person to assume for it any liability in connection with the sale of this merchandise. **No labor claims will be honored. The liability of Thunderbird Headquarters is limited to the replacement of the defective parts. There is a maximum warranty period of 90 days on all rebuilt items.**

Thunderbird Headquarters

4020 Pike Lane, Concord, CA. 94520

TOLL FREE PHONE800-227-2174
TOLL FREE FAX.....800-964-1957
LOCAL PHONE925-825-9550
LOCAL FAX925-689-1771

Date: _____

Have you ordered from us before? Yes ___ No ___

Has your address changed? Please indicate your old address: _____

Sold To: _____ Ship To: _____

Address:* _____ ATTN: _____

City and State _____ Zip _____ Address:* _____

Daytime Telephone No.: _____ City and State _____ Zip _____

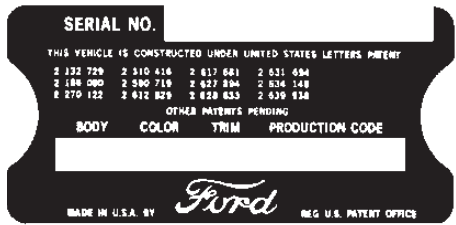
*Please give a street address as U.P.S. cannot deliver to a Post Office Box.

E-Mail: _____

Please indicate method of payment:

- AmEx Money Order Charge Account No.: _____ Exp. Date _____
- Visa Master Card Discover Signature _____ CVV: _____

Shppd.	Ordrd.	Part Number	Year	Model	Complete Description	Unit Price	Total



Subtotal	
California residents please add sales tax	
<input type="checkbox"/> City of Concord	Add 9% Sales Tax
<input type="checkbox"/> SF & Alameda County	Add 8% Sales Tax
<input type="checkbox"/> Contra Costa County	Add 8 1/2% Sales Tax
<input type="checkbox"/> All other counties	Add 7 1/2% Sales Tax
Shipping	- Add 10%. All orders \$9.00 min. Please refer to shipping policy
Special shipping/ handling	TB 1406
TOTAL	

HOW TO ORDER:

TELEPHONE ORDERS: You may place your order by telephone Monday through Friday between 8 A.M. and 5 P.M. West Coast time. We will accept Visa, MasterCard, AmEx and Discover cards. Please give us correct part numbers when ordering. Even though we are here to help, we are not trained automotive technicians.

Place your orders toll-free!

TOLL FREE PHONE 800-227-2174

TOLL FREE FAX 800-964-1957

LOCAL PHONE 925-825-9550

LOCAL FAX 925-689-1771

Email: parts@tbirdhq.com

Web: www.tbirdhq.com

You should consult local machine shops and mechanics regarding technical advise. Technical information is also included in the shop manuals available in this catalog.

FAX ORDERS: Please feel free to use our 24 hour FAX machine to send in your orders. Our FAX number is 925-689-1771.

MAIL ORDERS: Please try to list parts in numerical order with a complete description. Be sure to give us all the information so we will be able to accurately fill your order. Shipments are normally made within 48 hours of receipt. Visa, MasterCard, AmEx, Discover and Postal Money Orders are accepted.

SHOP IN PERSON: If you are in the Bay Area of Northern California, please visit our showroom. Our showroom is open for counter sales Monday through Friday from 8 A.M. to 5 P.M. and Saturdays from 8 A.M. to 11:30 A.M. We are closed on Sundays and all major holidays, including holiday Saturdays.

SHIPPING POLICY:

GUARANTEE AND RETURNS: All of our parts are guaranteed! If you are not satisfied with any part, simply return it to us in an undamaged condition within 30 days for an exchange or a refund. Returns will not be accepted on items with which installation has been attempted. All returns must be returned **PREPAID** and shipped the least expensive way. Shipping will be paid both ways if it is our error. All returns **MUST** have a copy of the invoice and may be subject to a restocking charge. **NO EXCEPTIONS will be allowed!** The liability of Thunderbird Headquarters is limited only to the replacement of defective parts. No labor claims will be honored.

SHIPMENTS INSIDE THE CONTINENTAL U.S. We ship by UPS or FedEx within the U.S. whenever possible. Our standard shipping charge is 10% of the order total. There is a minimum shipping charge of \$9.00 and a maximum charge of \$50.00 on most parts. 1/4 panels, tires, wire wheels, windshields, exhaust pipes and mufflers, continental kits, brake drums, brake conversion kits, gas tanks, radiators, AC kits, QuietRide kits, batteries, and convertible top frames will be charged actual freight and may need to be shipped by freight truck. If you need to request UPS Next Day or 2nd Day Air or 3rd Day Select Service you will be charged the actual shipping cost, plus a \$5.00 handling fee.

SHIPMENTS TO ALASKA, HAWAII AND PUERTO RICO: Shipments are normally made by U.P.S. If Parcel Post is requested, a 20% charge will be added for special handling. Actual shipping charges must be paid by the purchaser.

SHIPMENTS TO APOs AND FPOs: Your order must be prepaid by credit card or postal money order. No C.O.D. orders will be accepted. Shipments are made by Parcel Post. A 20% charge will be added for special handling. Actual shipping must be paid by the purchaser.

INTERNATIONAL SHIPMENTS: Your order must be prepaid by bank card or wire transfer. Please specify UPS, FedEx, DHL or post office. If Parcel Post is requested, a 20% charge will be added for special handling. Actual shipping charges must be paid by the purchaser. All Customs Duties and clearance costs must be paid by the purchaser upon delivery. We do not ship by ocean freight.

FREIGHT TRUCK SHIPMENTS: Certain items may be too large or too heavy to be shipped by U.P.S. These items must be prepaid by postal money order or bank card. Actual shipping charges must be paid by the purchaser. A \$5.00 special handling charge will be added to all freight truck shipments.

BACKORDERS: If a part is temporarily out of stock we will backorder the item and ship it as soon as possible. **If you are using Visa, MasterCard, AmEx or Discover, you WILL NOT** be billed for backordered items until they are shipped. If you have paid by money order we will refund you if we cannot ship the item within 30 days.

INQUIRIES: Please call our Customer Service Department at 925-825-9550 Monday through Friday, 9 A.M. to 4:30 P.M., West Coast Time to check on the status of your order. **Please do not use our toll free line for inquiries.**

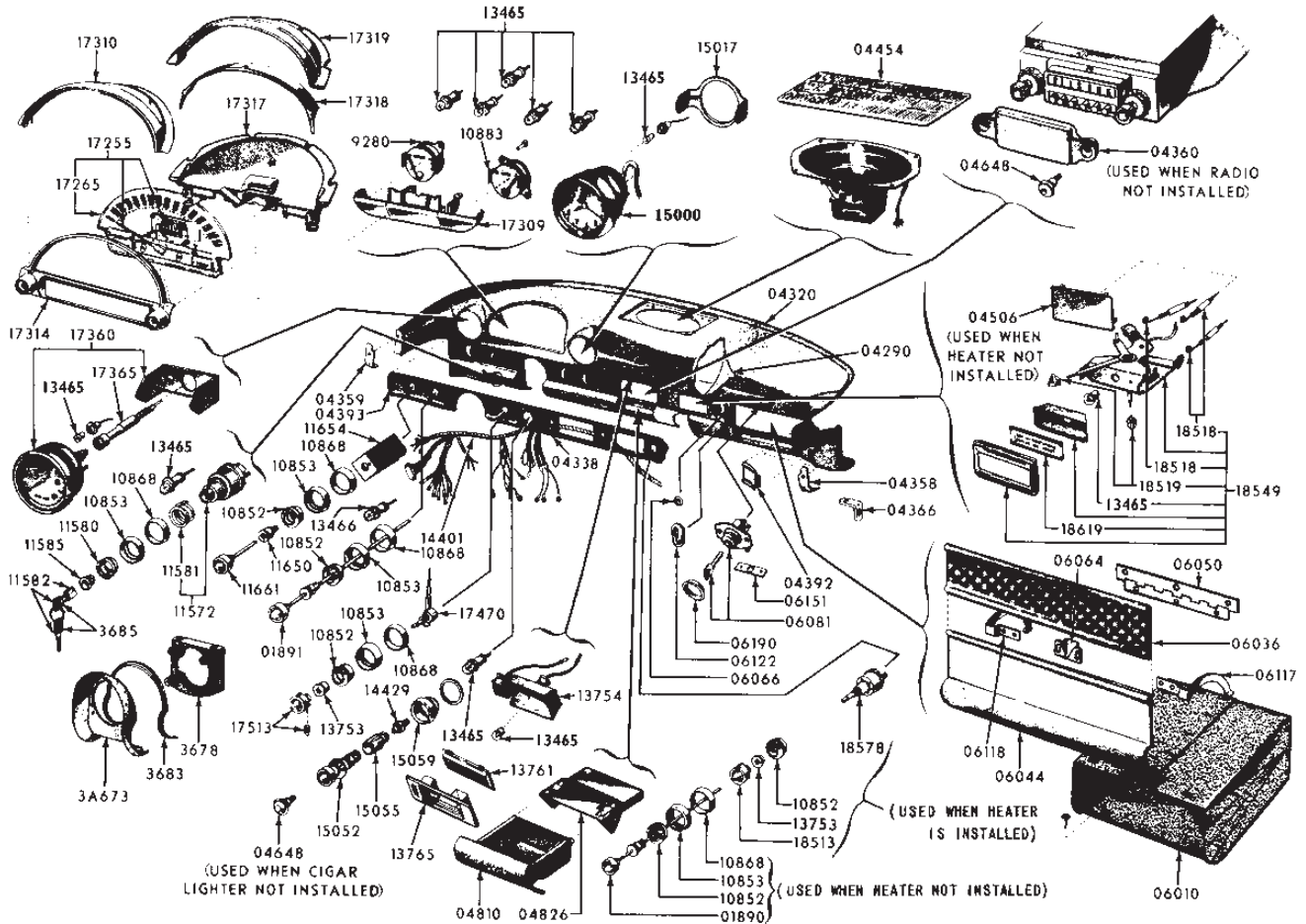
QUANTITY DISCOUNTS: We offer a quantity discount of 10% on orders for new parts and upholstery over \$1000.00 paid in advance by cash or certified funds or 7% on credit cards (Visa, MasterCard, AmEx and Discover). Used parts, tires, wire wheels, A/C units, wire wheel hubcaps, exhaust pipe kits, batteries, bumper guards, conv't top frames, upholstery kits, continental kits, disc brake conversion kits, power steering conversion kits and brake booster kits do not qualify for discount. **These excluded items have already been discounted. Discounted orders can only be shipped to one location.**

DAMAGES OR SHORTAGES: Should you receive damaged merchandise or missing merchandise due to a broken box contact the shipping company, (UPS, FedEx, Post Office, Freight Truck Line, etc.) immediately. They will start the claim procedure. **Do not** ship the parts back to us until the claim is resolved. **Keep all boxes and packing material as they may want to inspect them. We will do everything we can to see that your claim is taken care of.**

PRICING: Due to price changes by our suppliers we must reserve the right to change prices without notice.

LIABILITY: The seller, Thunderbird Headquarters, hereby expressly disclaims all warranties, either expressed or implied, including any implied warranty or merchantability of fitness for a particular purpose, and Thunderbird Headquarters neither assumes nor authorizes any other person to assume for it any liability in connection with the sale of this merchandise. **No labor claims will be honored. The liability of Thunderbird Headquarters is limited to the replacement of the defective parts. There is a maximum warranty period of 90 days on all rebuilt items.**

1955 - 56 DASH ASSEMBLY



•NOTE • Line drawings are for reference only. Only parts listed with prices are available new or rebuilt. Other parts may be available used.

- 04290A** Retainer straps, dash pad to dash, set of 4, 57.....11.50
- HWK 143** Padded dash retainer straps to dash, 57 (12 pcs).....1.90
- 04338A** Dash aluminum trim, center 55/56.....105.05

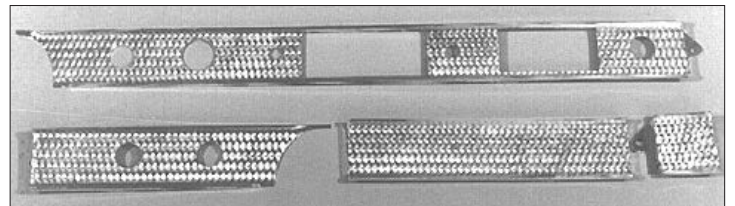
**Thinking About New Upholstery?
See Our Complete Upholstery Selection.**

- HWK 11** Visor brackets & clips to w/shield mouldings (8 pcs-2 sides).....1.95
- NOTE••** For the rest of windshield moulding screws see HWK 9



04290 - Padded Dash

- 04290D** Padded dash, Black, 57 reproduction.....450.00
- 04290E** Padded dash, White, 57 reproduction.....450.00
- 04290F** Padded dash, Red, 57 reproduction.....450.00
- 04290G** Padded dash, Green, 57 reproduction.....450.00
- 04290H** Padded dash, Bronze, 57 reproduction.....450.00
- 04290J** Padded dash, Blue, 57 reproduction.....450.00
- HWK152** Cowl braces to firewall & cowl (22 pcs-2 sides).....3.50
- HWK 73** Dash "L" chrome (04358/9) to dash (4 pcs-2 sides)......95
- HWK 79** Instrument eyebrow stainless trim to dash, 57 (7 pcs).....2.95

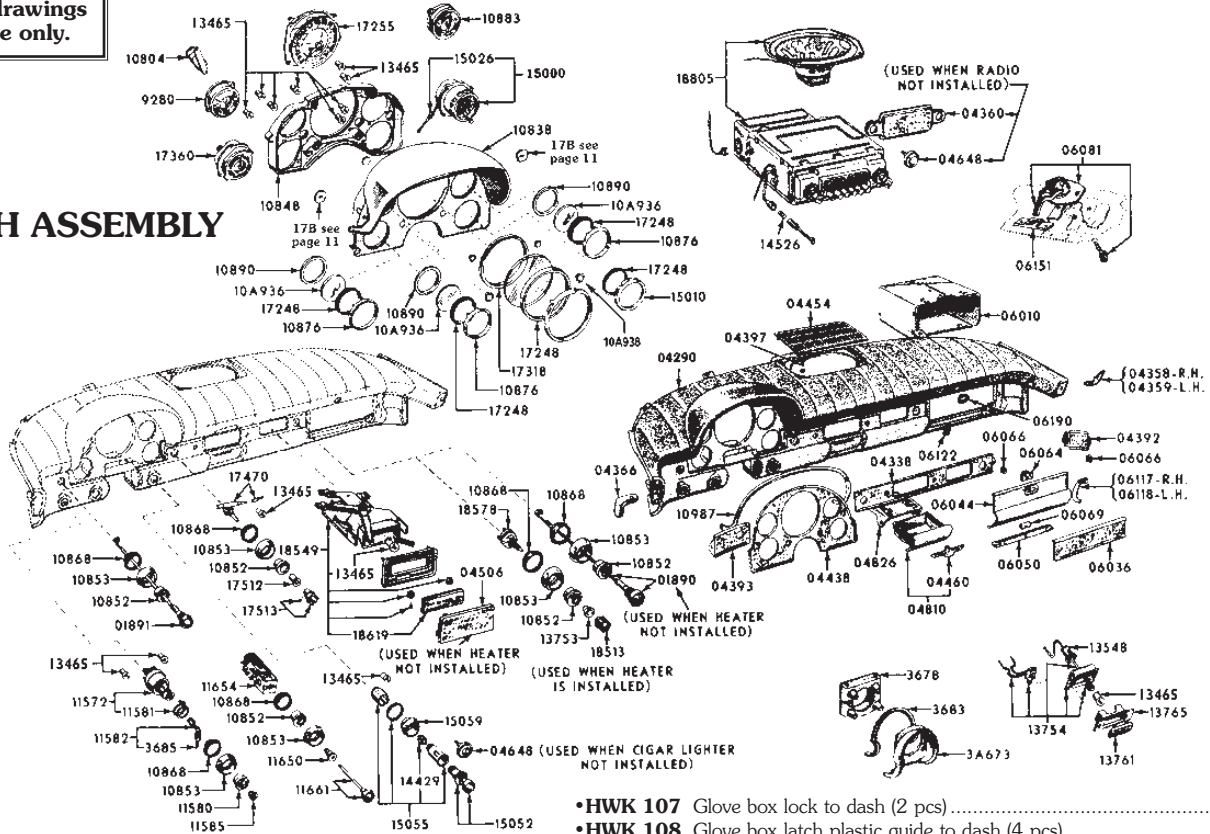


04338AK - Aluminum Dash Trim Kit

- 04338AK** Consists of all 4 dash aluminum pieces for the 55/56 models; 04392, 04393, 04338 & 06036.....299.40
- HWK 102** Dash aluminum to dash (6 pcs)......95
- 04338B** Dash aluminum trim, center, 57.....105.05
- 04338BK** Consists of 4 dash aluminum pieces for 57 models; 04392, 04393, 04338 & 06036.....299.40
- 04338CK** Consists of 5 dash aluminum pieces for 57 models; 04392, 04393, 04338, 04438 & 06036.....414.95
- NOTE••** We can supply any or all dash aluminum pieces without holes for those doing custom dashes.
- HWK 102** Dash aluminum to dash (6 pcs)......95
- 04358** Plate, dash end cap, chrome, RH.....15.75
- 04359** Plate, dash end cap, chrome, LH.....15.75
- HWK 73** Screws, dash "L" chrome (04358/9) to dash (4pcs, 2 sides)......95
- 04392** Dash aluminum trim, end, RH.....52.55
- 04393A** Dash aluminum trim, LH, 55/56.....52.55
- 04393B** Dash aluminum trim, LH, 57.....52.55

•NOTE• Line drawings are for reference only.

1957 DASH ASSEMBLY



- HWK 107 Glove box lock to dash (2 pcs)85
- HWK 108 Glove box latch plastic guide to dash (4 pcs).....1.05
- HWK 109 Ash tray slide to dash & ash receptacle to tray face plate (8 pcs).....1.30
- 06036 Dash aluminum trim, glove box.....115.35
- 06050 Hinge, glove box door.....5.25
- 06064 Striker, glove box door.....9.95



04407

Glove Box Emblem

04407 V-8 emblem, glove box, 55/56 11.50



04460

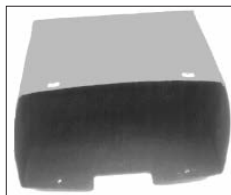
Dash Emblem



04438 - Instrument Cluster Trim

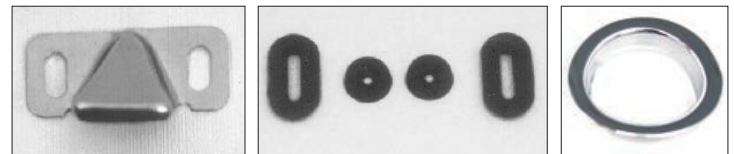
04438 Dash aluminum trim, instrument cluster, 57.....115.55

04460 Name plate, Thunderbird, on dash, without safety pad 55/5622.95



06010 - Glove Box

- 06010 Glove box, exact reproduction19.95
- HWK 12 Glove box to dash (6 pcs)90
- HWK 103 Glove box hinge to dash (6 pcs)..... .75
- HWK 104 Glove box striker to door (4 pcs)..... .75
- HWK 105 Glove box door guide arms to door (8 pcs).....1.15
- HWK 106 Glove box hinge to door (6 pcs).....1.05



06064 Striker

06066 Bumpers & Grommets

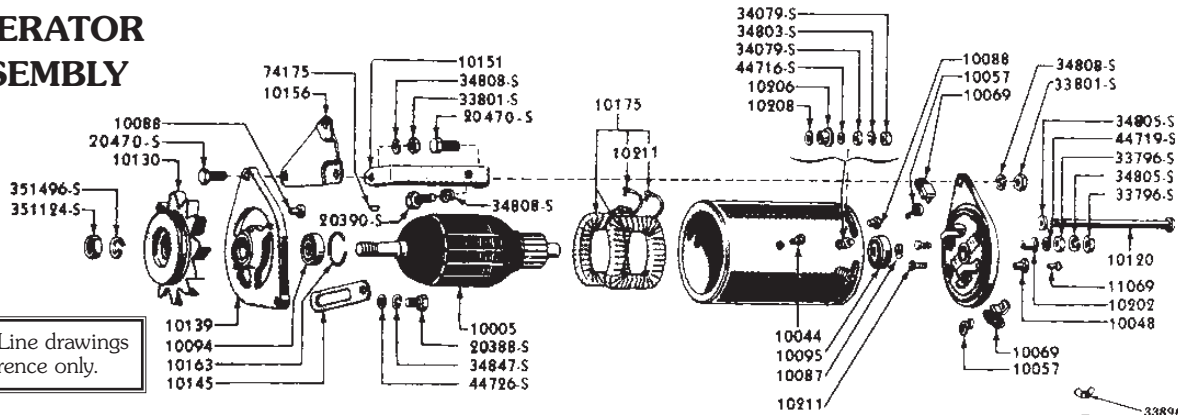
06190 Bezel

- 06066 Bumper & grommet set, glove box door.....3.50
- 06069 Glove box door spring.....7.95
- 06117 Arm, glove box door, RH.....6.00
- 06118 Arm, glove box door, LH.....6.00
- 06151 Adjusting plate, plastic, glove box lock4.95
- 06190 Bezel, glove box lock.....6.95



- 10851AK Dash Knob and Bezel Kit, 55/56, includes headlight bezel, wiper control bezel, heater switch bezel, lighter bezel, left air control bezel, ignition switch bezel, 5 chrome rings with seals, lighter chrome bezel, lighter knob, heater knob, wiper knob, headlight switch knob with shaft and RH vent cable with knob.....296.75
- 10851BK Dash Knob and Bezel Kit, 57, as above296.75
- 10853 Bezel ring, dash controls, 6 required.....12.95
- 10868 Grommet, rubber, for 10853, 5 required.....1.15

GENERATOR ASSEMBLY



•NOTE• Line drawings are for reference only.

- 10001AK** Kit, generator overhaul, 6 volt, consists of 1-10094, 1-10095, 1 set-10069 & 2-10057.....35.95
- 10001BK** Kit, generator overhaul, 12 volt35.95
- 10002AX** Generator, rebuilt, 6 volt, exchange only, w/o pulley.....139.95
- 10002BX** Generator, rebuilt, 12 volt, exchange only, w/o pulley.....139.95



Alternators that look like generators.

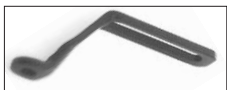
Features Include:

90 Amp Hwy / 60 Amps Idle
56/57 12V Neg. Grd., 55 6V Pos. Grd.
Output Terminal in OE Location
1/2" Wide V-Pulley
Black Powder Coat or Chrome Finish

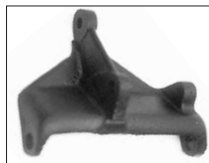


10003C

- 10003A** 55 Powergen alternator, black, 90 amp w/ internal regulator.....439.00
- 10003B** 55 Powergen alternator, chrome, 90 amp w/ internal regulator ...619.00
- 10003C** 56/57 Powergen alternator, black, 90 amp w/ internal regulator....459.00
- 10003D** 56/57 Powergen alternator, chrome, 90 amp w/ internal regulator ..639.00
- HWK 237A** Generator to all 3 brackets with stamped steel end plate (11 pcs).3.50
- HWK 237B** Generator to all 3 brackets with cast end plate (11 pcs).....3.50
- 10057** Spring, generator brush2.75
- 10069A** Brush ass'y., generator, 6 Volt, 55.....8.95
- 10069B** Brush ass'y., generator, 12 Volt, 56/578.95
- 10094** Bearing, generator end plate, power steering pump.....9.95
- 10095** Bearing, generator, rear14.95
- 10130** Pulley, generator, reproduction.....119.95



10145



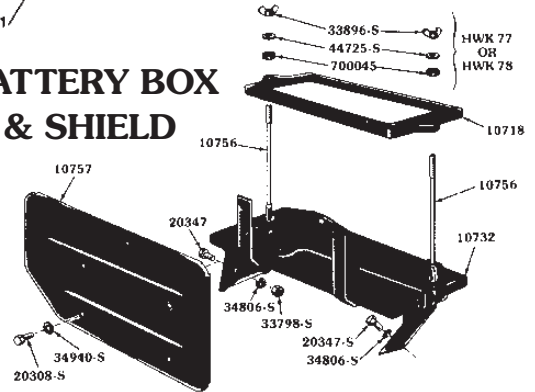
10151



10153

- 10145** Arm, generator belt adjusting.....13.25
- 10151** Bracket, generator mounting, cast.....40.95
- 10153** Bracket, generator support to water pump housing.....7.95

BATTERY BOX & SHIELD



- 10211** End plate conversion kit, converts passenger car end plate to T-Bird, with instructions
- 10211AC** End plate, generator, cast iron20.95
- 10211AS** End plate, generator, stamped steel20.95
- 10346K** Alternator conversion kit w/o alt.....84.95
- 10346X** Alternator, rebuilt, 63 amp84.50
- 10505A** Voltage regulator, 55, 6V69.95
- 10505B** Voltage regulator, 56/57, 12V.....89.95
- HWK 209** Voltage regulator to inner fender (3 pcs)90
- 10717AK** Battery hold down kit, 55; includes 10718A clamp, 2-10756A bolts, wingnuts, washers and grommets19.95
- 10717BK** Battery hold down kit, 56/57, GRP 29; includes 10718B clamp, 2-10756 bolts, wingnuts, washers and grommets.....29.95
- 10717CK** Battery hold down kit, 56/57, GRP 32; includes 10718C clamp, 3-10756 bolts, wingnuts, washers and grommets.....35.95
- 10718A** Clamp, battery hold down, 55 6V, GRP 2N, 5-3/4 x 10-1/4, powder coated10.95
- 10718B** Clamp, battery hold down, 56/57, GRP 29, 5-1/2 x 12-1/2, powder coated19.95
- 10718C** Clamp, battery hold down, 56/57, GRP 32, 5-1/2 x 14-1/4, powder coated19.95
- HWK 77** Battery hold down washers & wingnuts, 2 bolt type,(6 pcs).....4.65
- HWK 78** Same as HWK 77B, 3 bolt type (9 pcs)5.65
- 10719AK** Battery hold down kit, 55, 6 volt, without clamp.....9.95
- 10719BK** Battery hold down kit, 56/57, GRP 29, without clamp9.95
- 10719CK** Battery hold down kit, 56/57, GRP 32, without clamp12.95
- 10720** Bracket, battery to inner fender, 556.85
- 10732A** Battery tray, 5569.95
- 10732B** Battery tray, 56/5769.95
- HWK 198** Battery tray to inner fender & firewall (12 pcs)3.95
- 10756A** Bolt, battery clamp, 9"3.50
- 10756B** Bolt, battery clamp, 10-1/4", must be cut.....3.50
- 10757A** Battery shield, 5533.90
- HWK 199A** Battery heat shield to battery tray, original tray, 55 (4 pcs)95
- HWK 199B** Battery heat shield to battery tray, repro tray, 55 (6 pcs)95
- 10757B** Battery shield, 56/57.....40.00
- 10804** Regulator, instrument cluster, 5722.70
- HWK 200A** Battery heat shield to battery tray, original tray, 56/57 (4 pcs)1.05
- HWK 200B** Battery heat shield to battery tray, repro tray, 56/57 (8 pcs)1.95

10840 57 speedometer trim ring, chrome.....22.00



10852B
Inner Bezel, Wipers



10852E
Inner Bezel, Air



10853
Bezel Ring

10852 Inner Bezels, Plastic Inlay Lettering as Original

- 10852A Inner bezel, lights, plastic inlay lettering, as original15.75
- 10852B Inner bezel, wipers, plastic inlay lettering, as original15.75
- 10852C Inner bezel, heater, plastic inlay lettering, as original15.75
- 10852D Inner bezel, lighter, plastic inlay lettering, as original15.75
- 10852E Inner bezel, left air, plastic inlay lettering, as original15.75
- 10852F Inner bezel, right air, plastic inlay lettering, as original15.75
- 10853 Bezel ring, dash instruments, 6 required12.95
- NOTE•• For cigar lighter chrome bezel see 15059.
- 10868 Grommet, rubber, for 10853, 6 required1.15
- 10876 Bezel ring, dash instruments, set of 5, 57199.95
- 10883A Temp gauge, 5581.55
- 10883B Temp gauge, 5681.55
- 10883C Temp gauge, 57CALL
- 10883D 55 12volt temp gauge and sender128.95
- 10883E 56 12volt temp gauge and sender128.95



10884B - Temperature
Sending Unit

- 10884A Sending unit, temperature, 6 volt, 5569.95
- 10884B Sending unit, temperature, 12 volt, 5669.95
- 10884C Sending unit, temperature, 12 volt, 5714.50
- 10911A Adapter, water temperature sender, 55/5614.95
- 10911B Adapter, water temperature sender, 5714.95
- ACC 52A 55/56 Temperature sender adapter (10911) puller. Screw this puller into the adapter, tighten nut and remove the adapter19.95
- ACC 52B 57 Temperature sender adapter (10911) puller. Screw this puller into the adapter, tighten nut and remove the adapter19.95
- 10936A Lens, glass, speedo dial, 574.50
- 10936B Lens, glass, fuel, temp and tach, 573.45

- 11002AX Starter ass'y., rebuilt, 6 volt, exchange only139.95
- 11002BX Starter ass'y., rebuilt, 12 volt, exchange only139.95
- HWK 227 Starter motor to bell housing (6 pcs)1.30
- 11036 Washer, starter motor armature thrust50
- 11052 Bushing, starter motor front end plate, NOS2.95
- 11057 Brush set, starter motor9.95



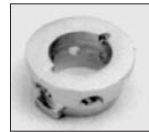
11135BK



11136K

Plug Sets

- 11135AK Kit, floor and cowl plugs, set of 10 plugs, 55/5614.50
- 11135BK Kit, floor and cowl plugs, set of 11 plugs, 5715.50
- 11136K Kit, quarter panel drain plugs, kit contains 4 pieces;
2 correct round button plugs and 2 drain plugs5.45
- 11215B Bracket, spare wheel bolt at trunk floor, 559.45
- 11215C Support, spare wheel at trunk floor, 557.30
- 11215D Bracket, jack retainer at trunk floor, 55/563.40
- 11215D7 Bracket, jack retainer at trunk floor, 573.40
- 11215E Clip, jack post at wheelhouse, 55/561.30
- 11290 Access plate, fuel sender on trunk floor10.50
- 11350 Starter bendix59.95
- 11365 Pin, starter motor drive pinion1.95
- 11450A Switch, starter motor relay, solenoid, 6 volt26.95
- 11450B Switch, starter motor relay, solenoid, 12 volt9.95
- 11450C Switch, starter motor relay, solenoid, 12 volt, brown as orig39.95
- HWK 208 Starter solenoid to firewall (2 pcs)95
- 11572 Switch, ignition, includes spring22.95
- 11580 Inner bezel, ignition18.95
- 11581 Spring, ignition switch2.50
- 11582 Cylinder & keys, ignition switch14.95



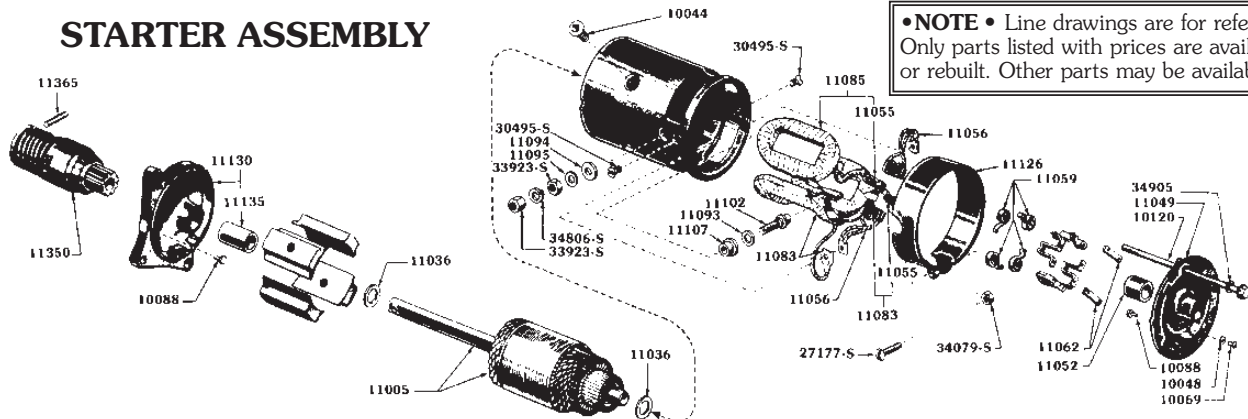
11585 - Retainer Nut



11661A - Headlight Knob

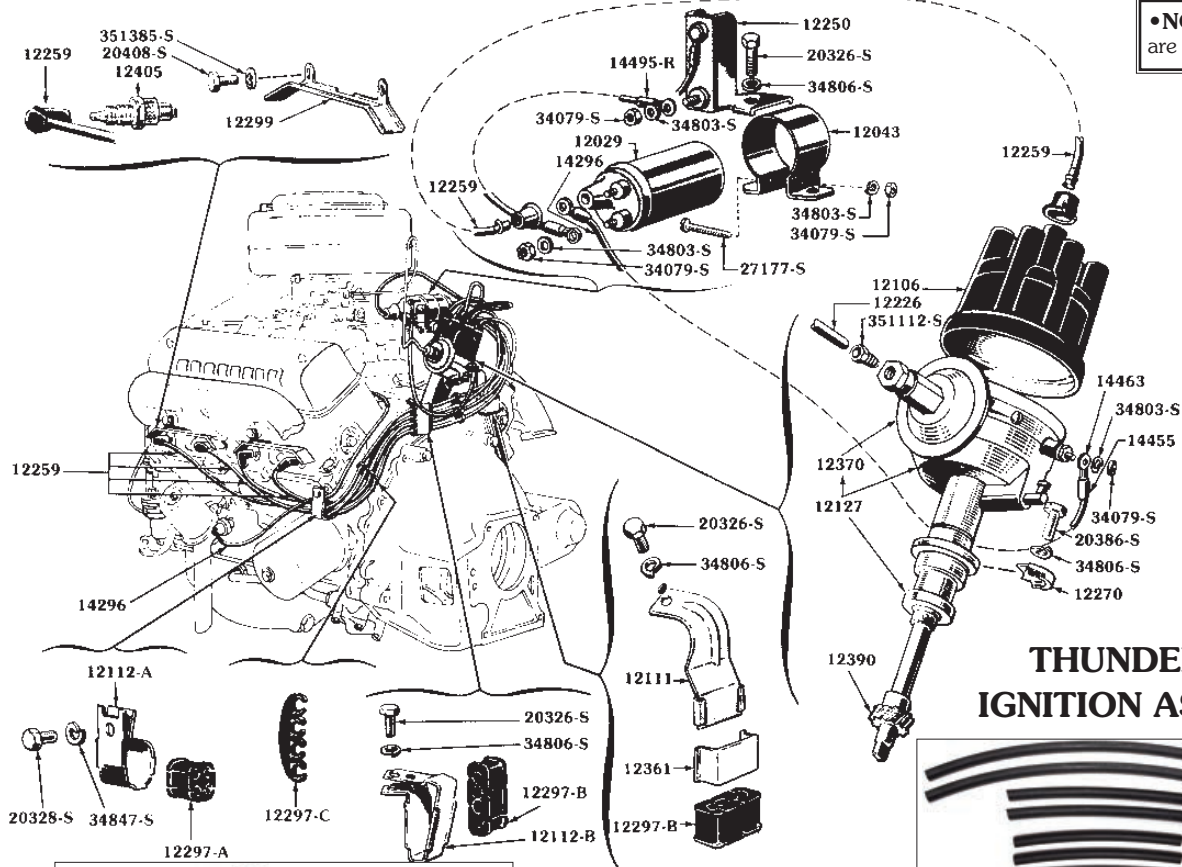
- 11585 Retainer nut, ignition switch, bezel12.95
- 11650A Retaining nut, headlight switch, 55/5614.50
- 11650B Retaining nut, headlight switch, 5714.95
- ACC 10 Dash Bezel Tool, a must for removing the bezels on your dash6.95
- 11654A Switch, headlight, 55, 6 volt44.95
- 11654B Switch, headlight, 56/57, 12 volt44.95
- 11661A 55/56 Headlight knob with shaft20.95
- 11661B 57 Headlight knob with shaft20.95

STARTER ASSEMBLY



•NOTE• Line drawings are for reference only.
Only parts listed with prices are available new
or rebuilt. Other parts may be available used.

NOTE • Line drawings are for reference only.



THUNDERBIRD IGNITION ASSEMBLY



12110A - Spark Plug Wire Protectors

- 12110A Conduit protectors, spark plug wires3.65
- 12111 Bracket, ignition cable mounting (used with 12361 clamp).....4.15



12113K - Ignition Cable Mounting Kit

- 12112A Bracket, ignition cable mounting (square grommet)2.65
- 12112B Bracket, ignition cable mounting (rectangular grommet).....2.65
- 12113K Kit, ignition cable grommets and brackets; consists of 2-12297A, 2-12297B, 2-12297C, 2-12112A, 1-12112B, 1-12361, 1-1211123.05
- HWK 233 Spark plug wire brackets to engine (8 pcs).....2.50
- 12120A 55/56 Dist. shaft bushing.....15.50
- 12120B 57 Dist shaft bushing15.50



12000AK - Distributor Tune Up Kit

- 12000AK Kit, distributor tune up, consists of 1-12171 Pt. set, 1-12300 Cond., & 1-12200 rotor 55/56.....17.95
- 12000BK Kit, distributor tune up, 57.....17.95
- 12000C Pertronix solid state ignition, replaces points and condenser, 55 6v..99.95
- 12000D Pertronix solid state ignition, replaces points and condenser, 55/56 12v...129.95
- 12000E Pertronix solid state ignition, replaces points and condenser, 57..129.95
- 12029A Coil, 6 volt.....19.95
- 12029B Coil, 12 volt.....21.95
- 12029C Coil, 12 volt with yellow top.....41.95
- 12029D Coil, Pertronix 40,000 Volt, Black, 12V.....39.95
- 12029E Coil, Pertronix 40,000 Volt, Chrome, 12V.....44.95
- 12029M Mallory coil, use with Mallory distributor.....67.95



12043A



12043B

Coil Brackets

- 12043A Bracket, coil, 55.....11.35
- 12043B Bracket, coil, 56/57.....29.95
- HWK 232 Coil bracket to intake manifold (4 pcs).....1.15
- 12106A Distributor cap, 55/567.95
- 12106B Distributor cap, 577.95



12127BX - Distributor

- 12127AX Distributor ass'y., rebuilt, exchange only, 55, w/o advance.....324.95

12127BX	Distributor ass'y., rebuilt, exchange only 56, w/o advance.....	324.95
12127CX	Distributor ass'y., rebuilt, exchange only, 57 with advance	324.95
••EXTRA••	Distributor cores must be sent assembled and complete. An extra charge will be assessed for disassembled units, bent or worn out shafts, cracked or broken housings or missing parts or excessive wear.	
12127D	55/57, distributor, Mallory tach drive, 57 mech. adv. curve	649.95
12128	Plug, floor access hole.....	11.50
•HWK 82	Floor plug buttons for power seat cars (2 pcs-2 sides)	1.30
12143	Gasket, distributor base.....	2.95
12151A	Plate ass'y., distributor breaker, 55/56, NOS	34.95
12170	Gasket, FM adj. plate/governor access plate.....	1.35
•HWK 159	Transmission governor cover to floor (4 pcs).....	1.15
12171A	Point set, distributor, 55/56.....	6.95
12171B	Point set, distributor, 57.....	6.95
12192A	55 vacuum advance spring, pair	4.50
12192B	56 vacuum advance spring, each, NOS.....	4.50
12192C	57 vacuum advance spring, each, NOS.....	4.50
12200A	Rotor, distributor, 55/56.....	3.95
12200B	Rotor, distributor, 57	3.95
12210	57 distributor cam, NOS.....	49.95
12213	Retainer, dist. rotor, 55/56.....	3.55
12216	Distributor primary wire.....	13.00
12230	Screw, distributor bracket lock50
12250	Resistor, ignition coil, 56/57	16.95
12250R	Resistor, ignition coil, as original, 56/57, with FoMoCo	22.95



12259K - Spark Plug Wiring Kit

12259	Wire set, spark plugs, glass core.....	29.95
12259L	Wire set, spark plugs, glass core with FOMOCO script	60.95
12259C	Wire set, spark plugs, with 12110A conduits.....	31.95
12259K	Kit, spark plug wires, with attaching brackets and grommets. Consists of 1-12259C & 1-12113K.....	55.40
•HWK 233	Spark plug wire brackets to engine (8 pcs).....	2.50
12264	Distributor ground wire.....	3.50
12297A	Grommet, ignition cable, 4 holes in square.....	1.95
12297B	Grommet, ignition cable, 4 holes in line.....	1.95
12297C	Separator, ignition wire, plastic.....	.55
12298	Coil wire, brown as original, with end boots.....	20.95
12299	Shield, spark plug wire, 4 required.....	4.75
12300A	Condenser, distributor, 55/56.....	9.95
12300B	Condenser, distributor, 57.....	9.95
12361	Clamp, ignition plug wire bracket, use with 12111	3.10
12370AX	Vacuum advance ass'y., 55, rebuilt	150.00
12370BX	Vacuum advance ass'y., 56, rebuilt	219.95
12370C	Vacuum advance ass'y., 57,	49.95

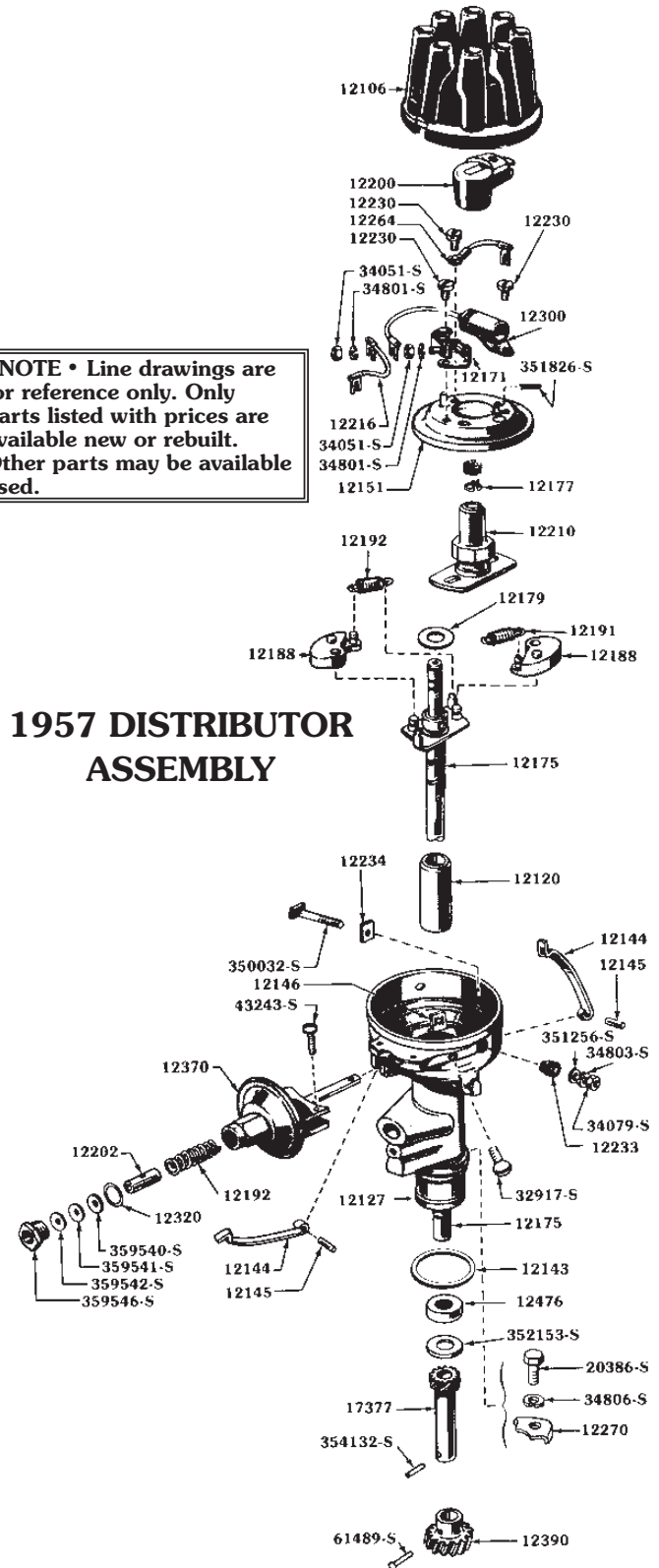


12371B - Vacuum Line

12371A	Vacuum line, distributor to carburetor, w/ fittings, 55.....	13.95
12371ASS	As above, stainless steel.....	16.95
12371B	Vacuum line, distributor to carburetor, 56 (2 pieces) w/ fittings.....	25.95
12371BSS	As above, stainless steel.....	29.95
12371C	Vacuum line, distributor to carburetor, w/ fittings, 57.....	13.95
12371CSS	As above, stainless steel.....	16.95

12371E	Vacuum line, distributor to carb., dual 4bbl. setup, with fittings, 1957	7.95
12371ESS	As above, stainless steel	9.95
12405	Spark plug, BF-82.....	2.50

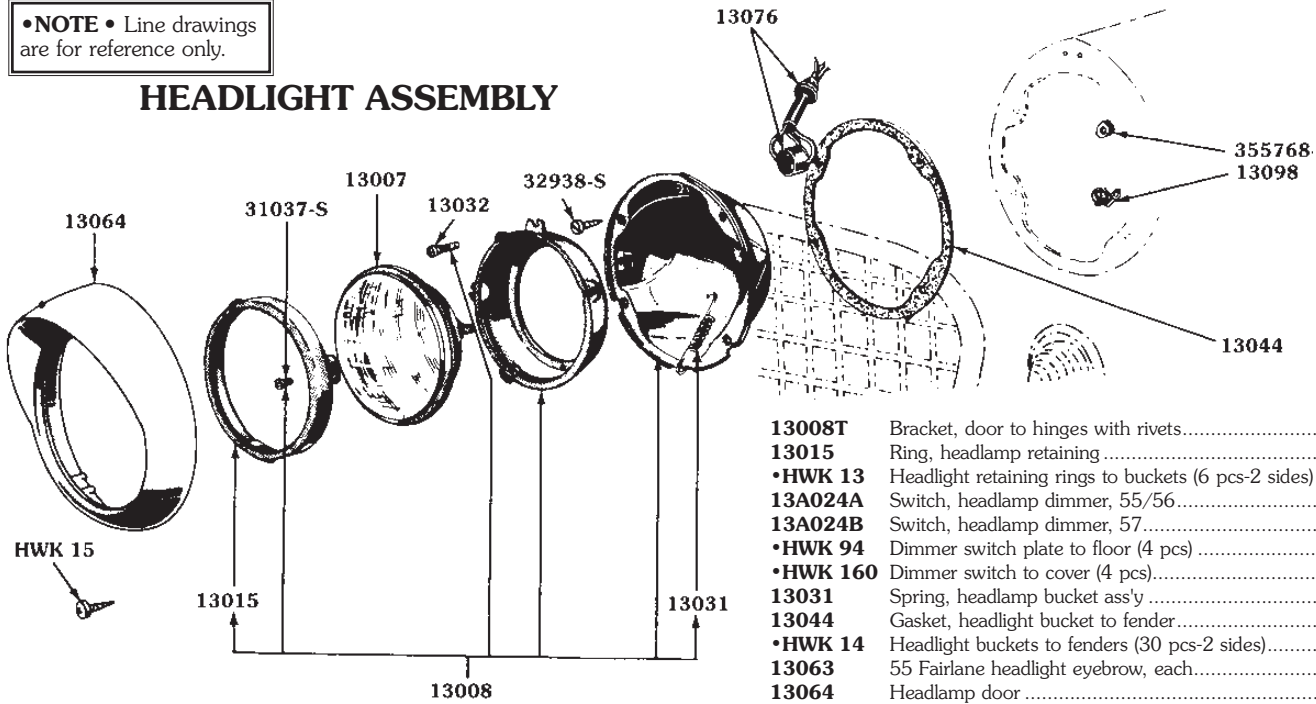
•NOTE• Line drawings are for reference only. Only parts listed with prices are available new or rebuilt. Other parts may be available used.



1957 DISTRIBUTOR ASSEMBLY

•NOTE • Line drawings are for reference only.

HEADLIGHT ASSEMBLY



- 13008T Bracket, door to hinges with rivets.....9.95
- 13015 Ring, headlamp retaining12.95
- HWK 13 Headlight retaining rings to buckets (6 pcs-2 sides)1.30
- 13A024A Switch, headlamp dimmer, 55/56.....19.95
- 13A024B Switch, headlamp dimmer, 57.....33.95
- HWK 94 Dimmer switch plate to floor (4 pcs)80
- HWK 160 Dimmer switch to cover (4 pcs)..... 1.00
- 13031 Spring, headlamp bucket ass'y2.25
- 13044 Gasket, headlight bucket to fender.....2.95
- HWK 14 Headlight buckets to fenders (30 pcs-2 sides).....5.95
- 13063 55 Fairlane headlight eyebrow, each.....75.00
- 13064 Headlamp doorCALL
- 13064RP Headlight door pin repair kit.....12.00
- HWK 15 Headlamp doors to fenders (2 pcs-2 sides)1.95
- 13076A Wiring ass'y., headlamp lead, 55/56, each19.95
- 13076B Wiring ass'y., headlamp leads, 57, pair59.95

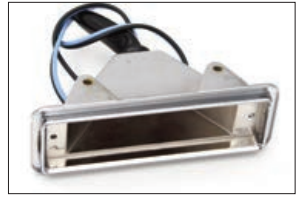


13000 Exterior light gasket sets, includes headlights, park light, back up light and license light gaskets

- 13000AK 55 with back up lights37.75
- 13000BK 55 with out back up lights36.70
- 13000CK 5637.30
- 13000DK 5723.65
- 13007A Headlight, Sealed beam, 6 volt15.95
- 13007B Headlight, Sealed beam, 12 volt15.95
- 13007C Headlight, Sealed beam, 12 volt with FoMoCo etch34.95
- 13008A Clip, headlight door retaining7.50



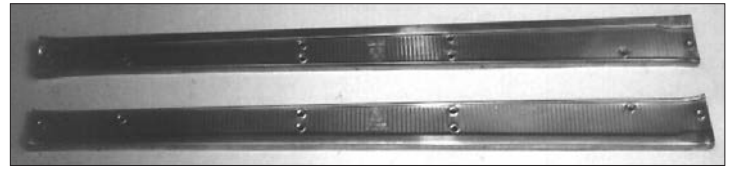
13206A



13206B

Parklight Bodies

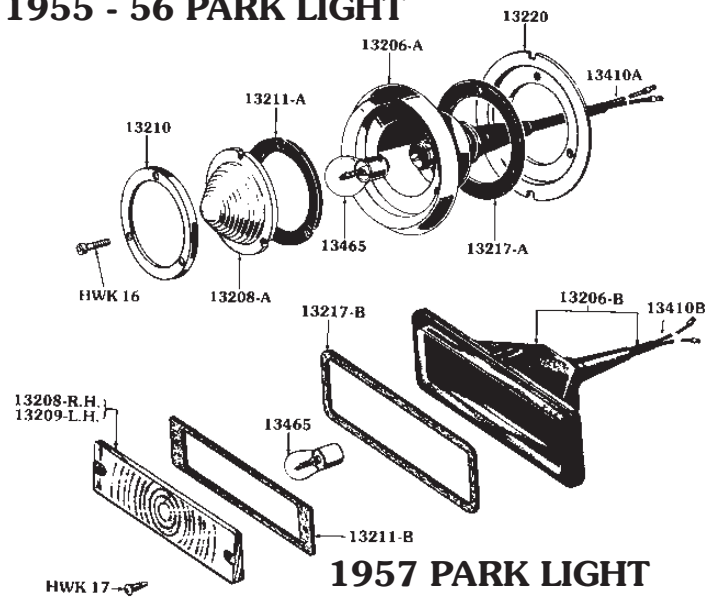
- 13206A Parklite body with wire pigtail, 55/5641.95
- 13206B Parklite body with wire pigtail, 5759.95
- HWK 135A Parking lamp bodies to front bumper, 57(12 pcs-2 sides)1/4 x 20.1.95
- HWK 135B Parking lamp bodies to front bumper, 57(12 pcs-2 sides)1/4 x 28.1.95
- 13208A Lens, parking light, 55/56 RH or LH7.95
- 13208B Lens, parking light, 57, RH9.95
- HWK 16 Parklight lenses to bodies, 55/56 (6 pcs-2 sides)4.50
- HWK 17 Parklight lenses to bodies, 57 (4 pcs-2 sides)3.75



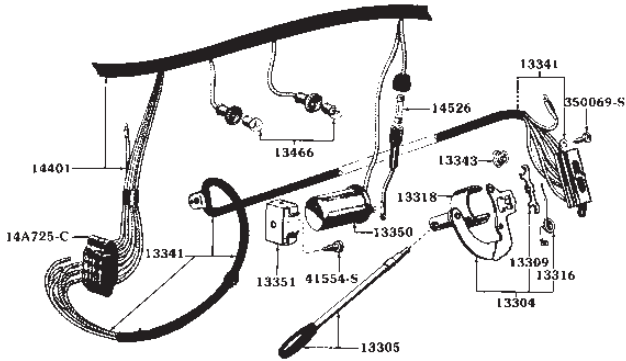
13208/9C - Step Plate

- 13208C Step plate, RH door34.95
- HWK 18 Step plates (13208/9) to body, cadmium (16 pcs-2 sides)2.45
- HWK 19 Step plates (13208/9) to body, chrome (16 pcs-2 sides)2.65
- 13209B Lens, park light, LH, 579.95
- 13209C Step plate, LH door34.95
- 13210 Ring, parklight lens retaining, 55/56.....10.25
- 13211A Gasket, parking lamp lens, 55/56.....1.50
- 13211B Gasket, parking lamp lens, 57.....3.00
- 13217A Pad, park lamp body to fender, 55/564.05
- 13217B Pad, park lamp body to bumper, 57.....2.05
- 13220 Retainer, park light, welds to fender, 55/56.....20.95

1955 - 56 PARK LIGHT



1957 PARK LIGHT



TURN SIGNAL ASSEMBLY



13304B
Cancelling Plate

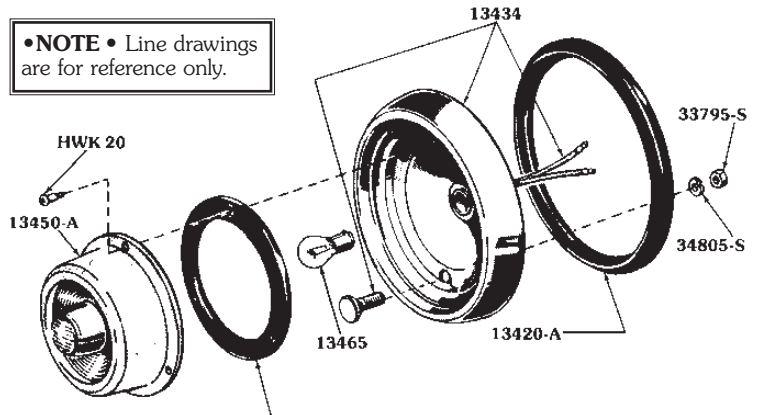


13343A
Spring

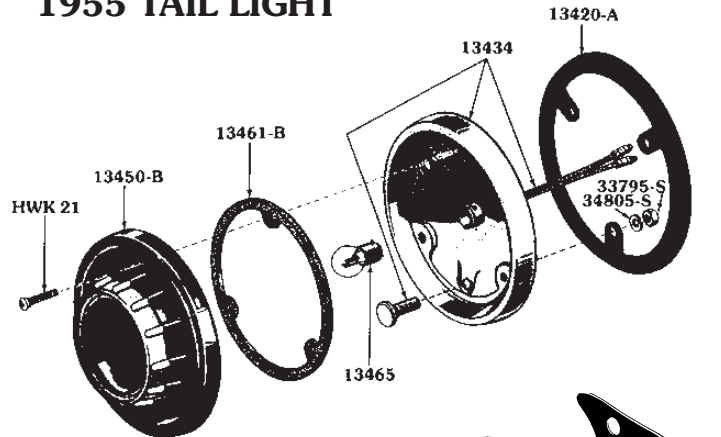
13304A	Cancelling plate ass'y., 55, includes 13309 & 13316	44.95
13304B	Cancelling plate ass'y., 56/57, includes 13309 & 13316	47.95
13305A	Lever, directional signal, 55	14.50
13305B	Lever, directional signal, 56/57	14.50
13309	Pawl, turn indicator switch plate	5.95
13316	Spring, turn indicator switch plate	2.25
13318	Cam, steering wheel, turn signal cancelling	9.95
13341	Switch, turn signal	94.50
13343A	Spring, original turn signal switch	2.95
13343B	Spring, replacement turn signal switch	2.95
13350A	Flasher, turn indicator 6 volt	CALL
13350AE	Flasher, turn signal, electronic 6 volt	34.95
13350B	Flasher, turn indicator 12 volt	3.20
13398A	Bumper, trunk lid, pair, 55/56 (mounts to rear panel)	6.95
13398B	Bumper, trunk lid, pair, 57 (mounts to trunk lid)	3.25
13410A	Wire pigtail, parklight, 55/56, each	17.95
13410B	Wire pigtail, parklight, 57, each	17.95
13411B	Socket, back up lamp bulb, 56	10.95
13411C	Socket, back up lamp bulb, 57	18.50
13411D	Wire pigtail, back up light, as original, w/o socket, 57	24.95
13412	Socket & wire ass'y., 57 license lamp	15.95
13420A	Pad, rear light mounting 55/56	4.95
13420B	Pad, tail light door mounting 57	2.80
13423	Retainer bracket, rear license plate light, 55/56	15.70
13434A	Housing, tail light, with correct pigtail, 55	39.95
13434B	Housing, tail light, with correct pigtail, 56	39.95
13437	Lens, back-up housing reflector, 56	5.25
13450A	Lens, tail light, 55, no FoMoCo script	24.95
13450AS	Lens, tail light, 55, with FoMoCo script	25.00
13450B	Lens, tail light, 56, no FoMoCo script	24.95
13450BS	Lens, tail light, 56, with FoMoCo script	35.00
13450C	Lens, tail light, 57, without back up lights	39.95
13450D	Lens, tail light, 57, with back up lights	42.95
13450ES	Lens, tail light, 57, with back up lights, with FoMoCo script	49.95
•HWK 20	Tail light lenses to bodies, 55 (6 pcs-2 sides)	4.50
•HWK 21	Tail light lenses to bodies, 56 (6 pcs-2 sides)	5.95
•HWK 22	Tail light lenses to bodies, 57 (8 pcs-2 sides)	7.50
•HWK 136	Rear lamp bodies to rear quarters, 55/56 (6 pcs-2 sides)	1.15
•HWK 137	1/4 panel extensions to 1/4 panels, 57 (8 pcs-2 sides)	2.75
13461A	Gasket, tail lamp lens mounting, 55	2.50
13461B	Gasket, tail lamp lens mounting, 56	2.50
13461C	Gasket, tail lamp lens mounting, 57	2.55
13465	Bulbs, order by Industry No.	
	Nos. 97, 8995
	Nos. 1129, 1141, 1154, 1157, 1445, 51, 57, 55, 63	1.75
13465AK	Miniature bulb kit, contains all the small bulbs needed for the car with instructions, 55, 20 bulbs	21.95

13465BK	Miniature bulb kit, 56, 25 bulbs	19.95
13465CK	Miniature bulb kit, 57, 28 bulbs	19.95
13480	Switch, brake light	7.95
13480M	Mechanical brake light switch	31.45
13489A	Bezel, tail light lens, 57, without back up lights	22.95
13489B	Bezel, tail light lens, 57, with back up lights	22.95
13535	Plate, dimmer switch	35.00
13548	Wire, 57 license light and 55/57 dash lights, w/o socket	2.95
13550K55	Lamp assembly, rear license, 55, 6 volt; includes 13560A (original 2 bulb type); 13568, 13564, 13423, 13465; & 2-34802-S	62.95
13550K56	Lamp assembly, rear license, 56, 12 volt; includes 13560-A (original 2 bulb type); 13568; 13564, 13423, 13465 & 2-34802-S	62.95
13550K57	Lamp assembly, rear license, 57, 12 volt; includes 13560-B, 13568, 13564, 13566, 13465 & 13412	73.50

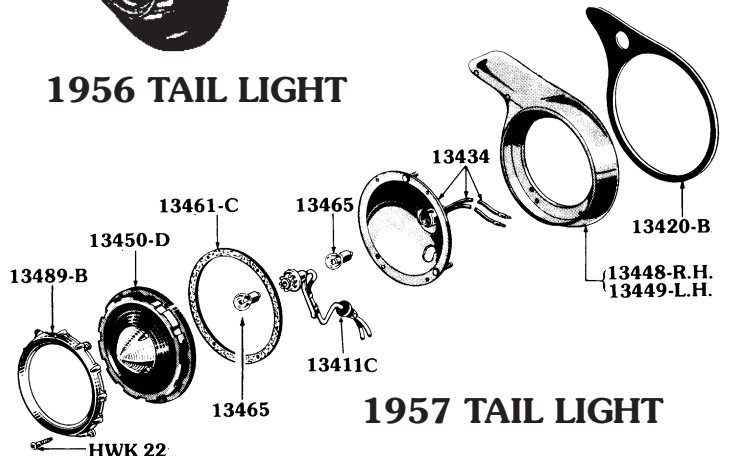
•NOTE • Line drawings are for reference only.



1955 TAIL LIGHT

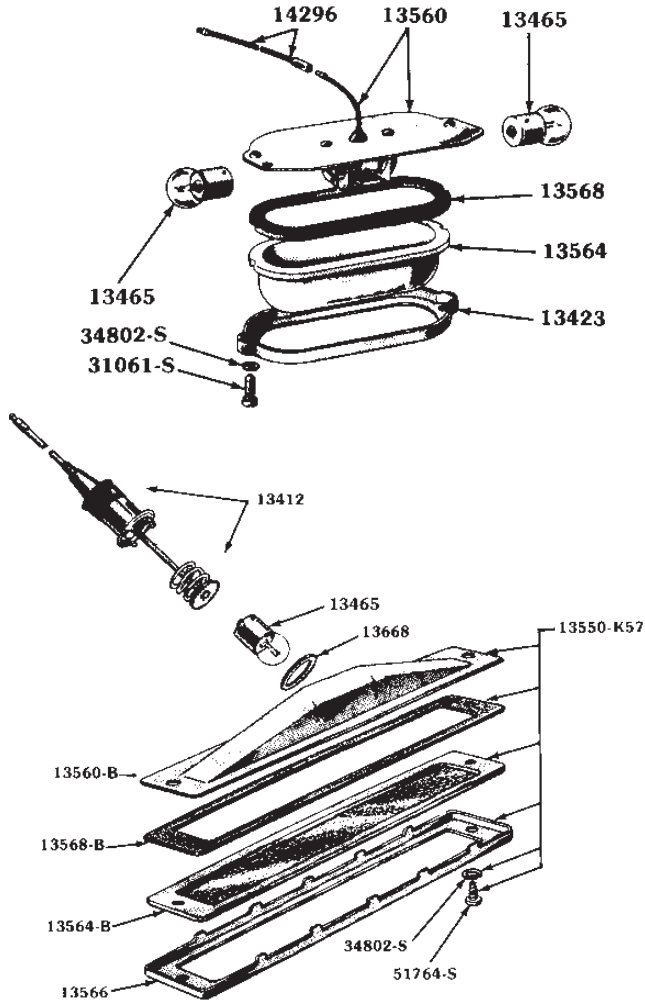


1956 TAIL LIGHT

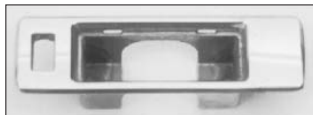


1957 TAIL LIGHT

1955 - 56 LICENSE PLATE LIGHT



- 13560A Body, rear license lamp, 55/56, original two bulb type.....34.60
- 13560B Body, rear license lamp, 5725.15
- 13564A Lens, license lamp, 55/56.....15.90
- 13564B Lens, license lamp, 57.....14.95
- HWK 23 License plate light lens to bumper, 55/56 (4 pcs)90
- HWK 24 License plate light lens to bumper, 57 (4 pcs)1.05
- 13566 Retainer, license lamp lens, chrome, 57.....18.85
- 13568A Gasket, license light lens, 55/56.....1.50
- 13568B Gasket, license light lens, 57.....1.50
- 13596 License plate holder, rear, set of 3, 55.....10.45
- 13644 Wire pigtail, brake light switch, pair.....3.95
- 13713 Switch, door post map light.....6.95
- 13753 Wiper bezel, 55/56, heater blower switch bezel 55/57.....12.95
- 13754A Switch and wires, map light.....9.90
- 13754B Socket, map light10.95
- 13761 Lens, map light4.05



13765 - Map Light Housing

- 13765 Housing, map light lens.....20.95

•NOTE • Line drawings are for reference only. Only parts listed with prices are available new or rebuilt. Other parts may be available used.

HORNS



- 13832A 6v, Hi pitch, bell shaped cover & triangular wire connector, 55.....34.95
- 13832B 12v, Hi pitch, bell shaped cover & triangular wire connector, 56/57...34.95
- 13832C 12v, Hi pitch, flat cover & triangular wire connector, most 57's....34.95
- 13832D 12v, Hi pitch, flat cover & flat push on wire connector, late 57/64....34.95
- 13833A 6v, Lo pitch, bell shaped cover & triangular wire connector, 55....34.95
- 13833B 12v, Lo pitch, bell shaped cover & triangular wire connector, 56/57...34.95
- 13833C 12v, Lo pitch, flat cover & triangular wire connector, most 57's....34.95
- 13833D 12v, Lo pitch, flat cover & flat push on wire connector, late 57/64...34.95
- HWK 197 Horn brackets to body (8 pcs-2 sides)2.95
- 13853A Relay & bracket ass'y., horn, 6V, 55.....12.95
- 13853B Relay & bracket ass'y., horn, 12V, 56, Ford replacement9.95
- 13853C Relay & bracket ass'y., horn, 12V, 57, Ford replacement15.95
- 14A033 Power window switch power bar.....7.95
- 14296A Wire, license lamp feed, 55.....7.95
- 14296B Wire, license lamp feed, 56.....12.50



14300-1CK - Battery Cable Set

- 14300-1BK Battery cable set, original design, 56 set of 349.95
- 14300-1CK Same as above, 57, set of 349.95
- 14300A Cable, battery to starter relay, black, 55.....18.95
- 14300B Cable, battery to starter relay, black, 56.....18.95
- 14300C Cable, battery to starter relay, black, 57.....18.95
- 14301A Cable, battery to ground, 55.....28.15
- 14301B Cable, battery to ground, black, 56.....18.95
- 14301C Cable, battery to ground, black, 57.....13.95
- 14302 Wire, coil to distributor3.60



14302A

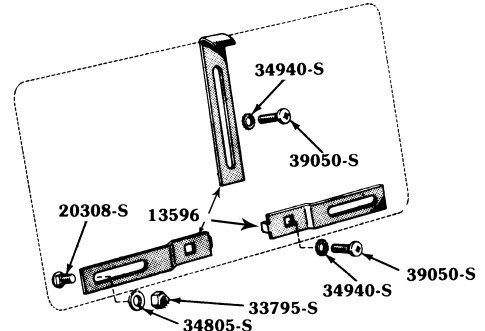


14302B

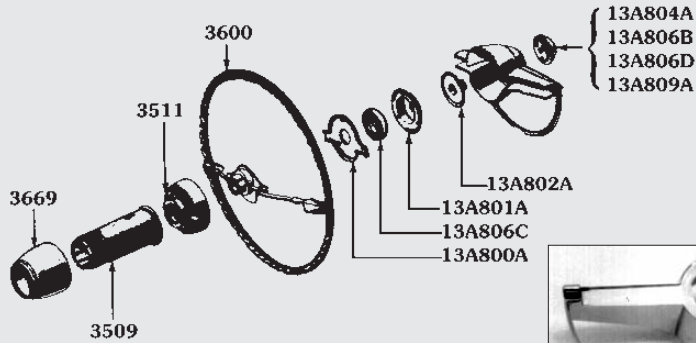
Battery Cable Grommets

- 14302A Battery cable grommet, 55/564.75
- 14302B Battery cable grommet, 574.75
- 14303A Ground strap, engine to firewall, 55/563.60
- HWK 204 Ground strap, engine to firewall & battery cable to engine, 55/56 (5 pcs).....1.95
- 14303B Ground strap, engine to firewall, 5711.50
- HWK 205 Ground strap, engine to firewall & battery cable to firewall, 57 (5 pcs).....1.95

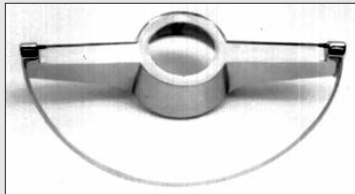
1955 LICENSE PLATE BRACKETS



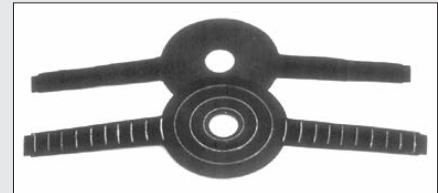
1955 HORN RING ASSEMBLY



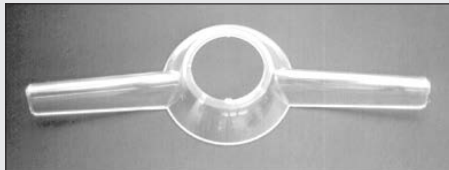
Assembled Horn Ring



13A805 - Horn Ring



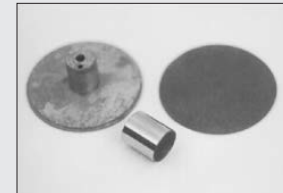
13A803A - Ribbed Trim Plate



13A805A - Clear Plastic Horn Ring



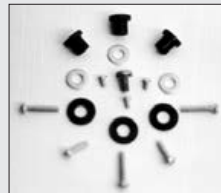
13A809A - Medallion



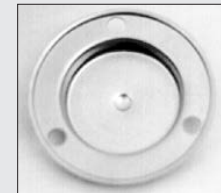
13A802A - Spacer Plate



13A800A - Attaching Plate



13A804AK - Screw & Grommet Kit



13A801A - Contact Plate



13A804A Retaining Plate



13A806C Rubber Insulator



13A806D Rubber Grommet



13A806A Medallion Retainer



13A806B Medallion Retainer

<p>13A799 Kit, horn ring attaching, 55: All of the necessary parts to complete your horn ring, does not include 13A805 chrome body. Kit consists of 13A800A, 13A801A, 13A802A, 13A803A, 13A804A, 13A804AK, 13A805A, 13A806A or BR, 13A806C, 13A806D & 13A809A Specify M/S or P/S189.95</p> <p>13A800A Attaching plate, horn ring, 5519.95</p> <p>13A801A Contact plate, horn ring, 5519.95</p> <p>13A802A Spacer plate, chrome sleeve & gasket, horn ring, 55.....19.95</p> <p>13A803A Ribbed trim plate with gasket, horn ring, 5529.95</p>	<p>13A804A Medallion retaining plate, lower, horn ring, 5514.95</p> <p>13A804AK Screw & grommet kit, 55 horn ring.....9.95</p> <p>13A805 Horn ring, chrome body only, 55349.00</p> <p>13A805A Clear plastic horn ring, 55.....20.95</p> <p>13A805D Retaining clip for 13A805A, each25.00</p> <p>13A806A Medallion retainer, horn ring , upper, M/S, 55.....21.95</p> <p>13A806B Medallion retainer, horn ring , upper, P/S, 5521.95</p> <p>13A806C Rubber insulator, horn ring, 557.95</p> <p>13A806D Rubber grommet for medallion, horn ring, 552.95</p> <p>13A809A Medallion, horn ring center, plastic, 5525.95</p>
---	--



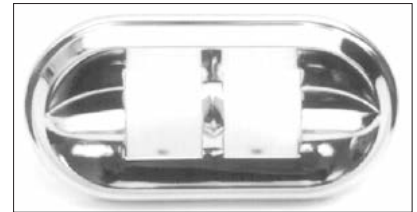
14304B 14304C 14304D 14304E
Battery Cable Brackets

14304B	Bracket, battery cable grommet, small hole, 55/56	5.20
14304C	Bracket, battery cable grommet, large hole, 55/56	5.20
14304D	Bracket, battery cable grommet, small hole, 57	5.20
14304E	Bracket, battery cable grommet, large hole, 57	5.20
14305	Wiring ass'y., generator to voltage regulator, 57	18.95
14308	Wire ass'y., horn ring to engine loom	19.95
14309	Wire ass'y., heater switch to heater motor, moulded ends	14.95
14322A	Wire ass'y., oil sending unit to wire loom, 55	5.50
14322B	Wire ass'y., oil sending unit to wire loom, 56/57	5.95
14382	Wire loom, overdrive	29.95
14388A	Wire, heater switch, with fuse holder, 55	16.95
14388B	Wire, heater switch, with fuse holder, 56/57	16.95
14401AA	Wire ass'y., instrument panel main loom, 55, 6v	369.95
14401A	Wire ass'y., instrument panel, main loom, 55/56	369.95
14401B	Wire ass'y., instrument panel, main loom, 57	395.00
14401P55	Wire loom, from dash to engine compartment, 55/56, 12v	79.95
14401BP57	Dash to engine compartment	89.95
14401P57	Wire loom, from dash to sending units, 57	50.00
14405A	Wire loom, rear tail lamp, 55	74.95
14405B	Wire loom, rear tail lamp, 56 w/ or w/o B/U lights	129.95
14405C	Wire loom, rear tail lamp, 57	112.75
14415B	Wire, license light to loom, 56	9.95
14429	Fuse, cigar lighter	20.00
14431A	Cable, starter to solenoid, 55	23.45
14431B	Cable, starter to solenoid, 56/57, replacement type	14.50

14431C	Cable, starter to solenoid, 56/57, exact reproduction	15.95
14445A	Wiring ass'y., between headlights, voltage regulator and horns, 55/56	56.65
14445B	Wire loom, headlight, early 57 with screws to horn	22.20
14445C	Wire loom, headlight, late 57 with clips on horn	25.50
14476A	Wire loom, neutral safety switch, 55	19.50
14476B	Wire loom, neutral safety switch, 56/57	35.10
14495	Wire, coil to resistor	4.30
14495E	Wire, coil to resistor, 57, 2-4BBL	3.50
14512A	Relay, power seat, 55 RE	35.00
14512B	Relay, power seat, 56/57 RE	35.00
14523	Plate, power window switch, RH, single type	7.25
14524	Plate, power window switch, LH, chrome, double type	14.70
14526AK	Kit, all the proper fuses for your car, with instructions, 55	2.95
14526BK	Kit, all the proper fuses for your car, with instructions, 56/57	2.95
14526A	Wire, radio power supply, 55	7.95
14526B	Wire, radio power supply, 56/57	7.95
14526M	Mallory circuit guard, surge protector, mounts to electronic distributor	59.95



14528A



14528B

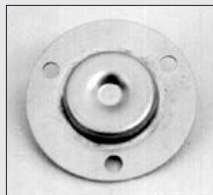
Power Window Switch Housings

14528A	Housing, window regulator switch, single type, chrome	22.95
14528B	Housing, window regulator switch, double type, chrome	29.95
14529A	Switch, window regulator with female type terminals	41.95
14529B	Switch, window regulator, with male type terminals	41.95

1956 -1957 HORN RING COMPONENTS



13A800B
Attaching Plate



13A801B
Contact Plate



13A804BK
Screw & Grommet Kit



13A810B
Medallion Plate



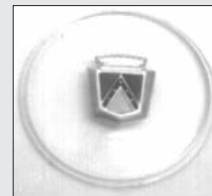
13A810C
Medallion Plate



13A807
Spring



13A806E
Rubber Insulator

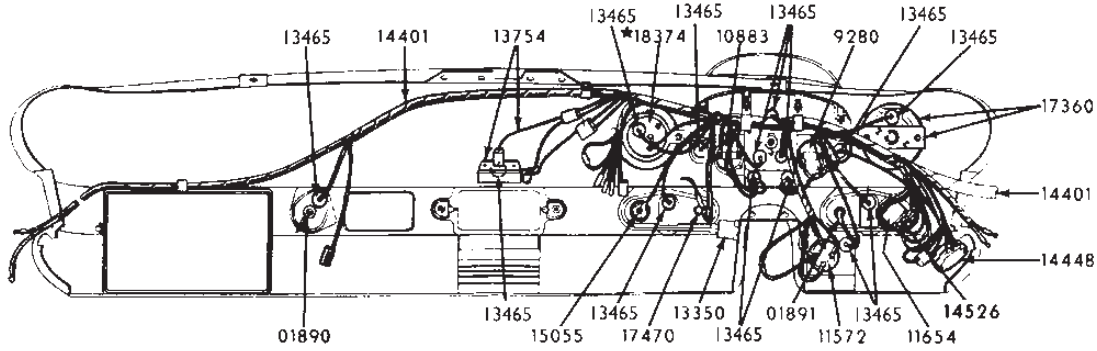


13A809B
1956 Medallion

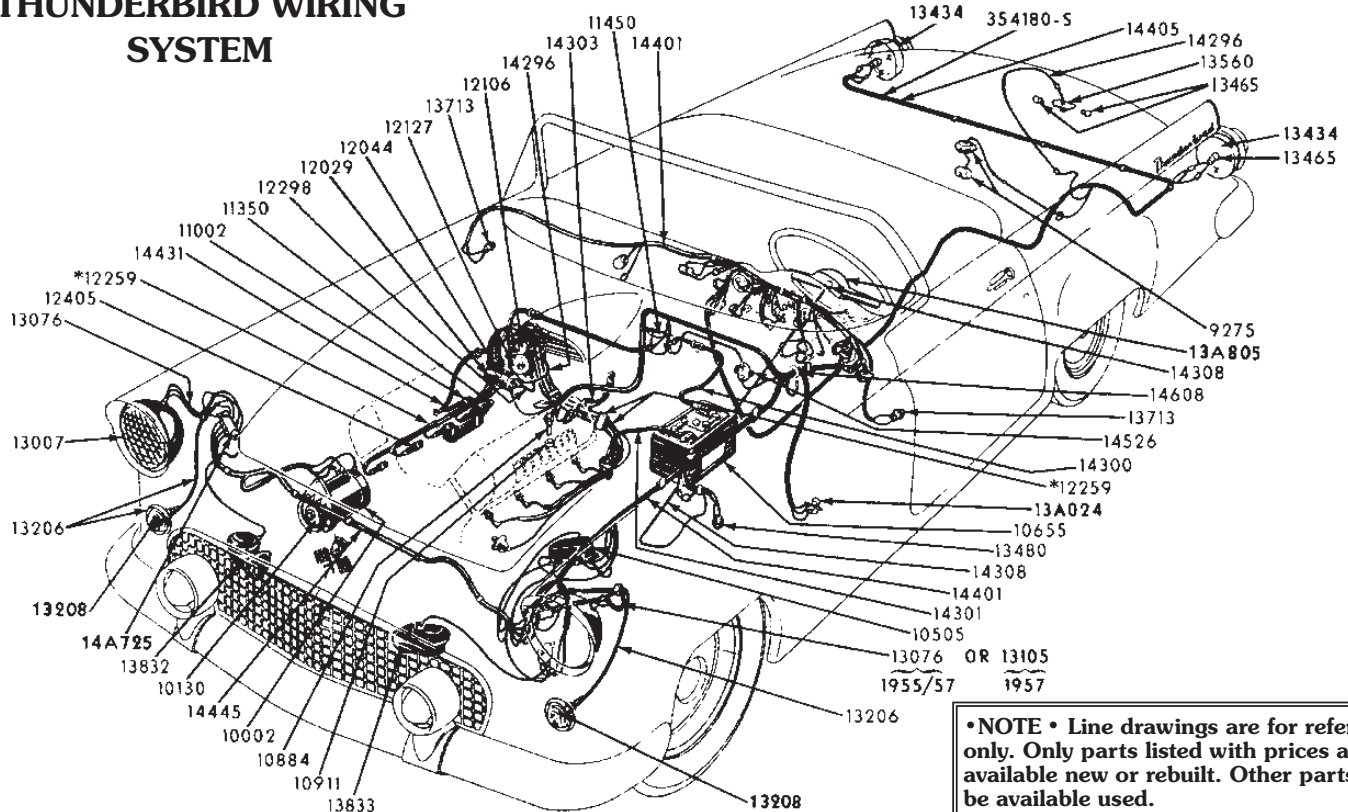


13A809C
1957 Medallion

13A800B	Attaching plate, horn ring, 56/57	15.95	13A809B	Medallion, horn ring center, plastic, 56	25.95
13A801B	Contact plate, horn ring, 56/57	15.95	13A809C	Medallion, horn ring center, plastic, 57	25.95
13A804BK	Screw & grommet kit, horn ring, 56/57	9.95	13A810B	Medallion background plate, horn ring, chrome, 56	15.95
13A806E	Rubber insulator, horn ring, 56/57	5.95	13A810C	Medallion background plate, horn ring, black, 57	15.95
13A807	Spring, horn ring, 56/57	2.95	3672	Insulator, horn ring, 56/57	1.00

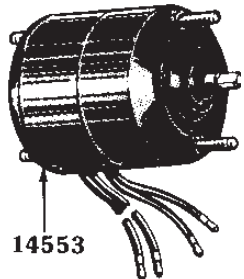


THUNDERBIRD WIRING SYSTEM

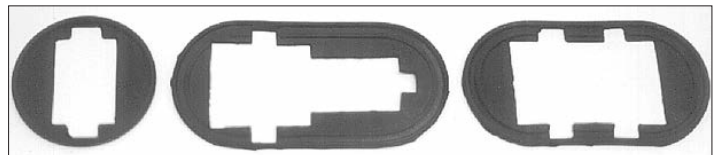


•NOTE • Line drawings are for reference only. Only parts listed with prices are available new or rebuilt. Other parts may be available used.

14547A	Motor, power seat, 6V, new, 55.....	174.95
14547B	Motor, power seat, 12V, new, 56/57	174.95
14547C	Motor, Dial-A-Matic power seat, new, 57.....	194.95
•HWK 97	Power seat gear drive clevis pins & clips (8 pcs-2 motors)	3.85
•HWK 161	Power seat drive brackets to floor (8 pcs).....	1.95
14550	Clip, tach cable & wiring, rubber coated	1.95
14553A	Motor, power window, 6V, 55.....	174.95
14553B	Motor, power window, 12V, 56/57.....	174.95
14553W	Window motor wire extensions, set of 4	19.95



POWER WINDOW MOTOR



14554 14561 14616

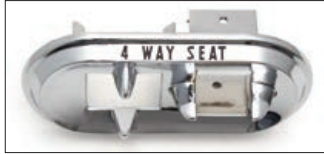
Power Window / Seat Switch Gaskets

14554	Gasket, power window switch, RH.....	3.10
14561	Gasket, power seat switch	3.10
14570	Clip, power seat & window switch retainer.....	2.00
14590	Ground wire, under dash, 55/56	9.95
14608	Retainer, cowl wiring grommet, attaches to firewall.....	8.95
14608A	Grommet, wiring loom at firewall.....	2.75
14616	Gasket, power window switch, LH.....	3.10
14628A	Wire, starter solenoid to circuit breaker, 55.....	4.00
14628B	Wire, circuit breaker on firewall to circuit breaker	
	under dash, 55.....	9.95
14630A	Wire loom, pr. window in door, RH, 55	51.95

- 14630B Wire loom, pr. window in door, RH, 5651.95
- 14630C Wire loom, pr. window in door, RH, 5751.95
- 14631A Wire loom, pr. seat/pr. window combo in door, LH, 5569.95
- 14631B Wire loom, pr. window in door, LH, 5651.95
- 14631C Wire loom, pr. window in door, LH, 5751.95
- 14631D Wire loom, pr. seat/pr. window combo in door, LH, 5669.95
- 14631E Wire loom, pr. seat/pr. window combo in door, LH, 5769.95
- HWK 172 Power window wiring protector to door (2 pcs-1 side)..... .45
- 14643A Wire looms, pr. seat, 3 loom set, 5579.95
- 14643B Wire looms, pr. seat, 3 loom set, 56/57114.95
- 14643C Wire loom, dial-a-matic seat, 57169.95



14651 - Grommet



14685 - Switch Bezel

- 14651 Grommet, inner apron wiring hole.....3.25
- 14679A Wire loom, pr. window relay, 5626.95
- 14679B Wire loom, pr. window relay, 5732.95
- 14679C Wire loom, pr. window relay, 5526.95
- 14685 Bezel, pr. seat switch, with correct lettering.....30.45
- 14689A Wire loom, pr. seat in door, 5538.95
- 14689B Wire loom, pr. seat in door, 5638.95
- 14689C Wire loom, pr. seat in door, 5738.95
- 14A701 Switch, power seat41.95



14A725A - Junction Block

- 14A725A Junction block, wiring, LH fender, double, 55/5715.95
- 14A725B Junction block, wiring, RH fender, single, 55/5613.15
- 14A725C Junction block, wiring, turn signal, double, 55/5615.95
- HWK 214A Wiring junction blocks to inner fenders, 55/56 (4 pcs-2 sides).....1.40
- HWK 214B Wiring junction block to inner fender, 57 (2 pcs)75
- 14774 Wire loom, Dial-A-Matic, relay to dash, 5750.35



15000A - Clock



15000C - Clock

- 15000AX Clock, rebuilt, 6V, 55, exchange only.....144.95
- 15000AQ Clock, rebuilt with Quartz movement, 6V, 55, exchange.....229.95
- 15000BX Clock, rebuilt, 12V, 56, exchange only.....144.95
- 15000BQ Clock rebuilt with Quartz movement, 12V, 56, exchange.....229.95
- 15000CX Clock rebuilt, 12V, 57, exchange only.....144.95
- 15000CQ Clock rebuilt with Quartz movement, 12V, 57, exchange.....229.95
- NOTE•• Clocks are rebuilt on an individual basis. You must send us your clock and we will rebuild it. Does not include replacement of broken stems, hands or faces.
- 17362 Clock face, 55/56, with recessed letters16.75
- 18374 Clock face, 5710.45
- 15001 Knob, clock, 576.95
- 15003 Gasket, clock, 572.25
- 15026 Wire, clock with fuse holder.....17.95

We accept VISA, M/C, Discover, AmEx



15052-12V

Lighter Assembly



15056K

Lighter Knob



15059

Lighter Bezel

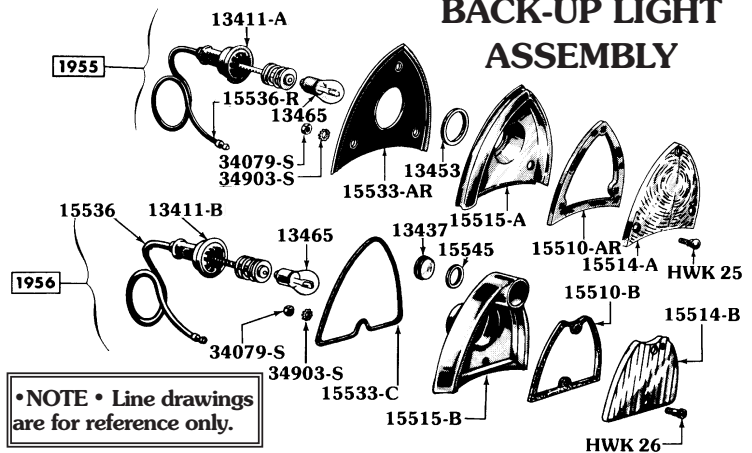
- 15052-12V Lighter ass'y, 12V43.00
- 15052-6V Lighter ass'y, 6V51.95
- 15054A Element, cig. lighter, 6V13.85
- 15054B Element, cig. lighter, 12V5.95
- 15055 Socket ass'y., cigar lighter13.95
- 15056K Lighter knob with shaft.....20.95
- 15059 Outer chrome bezel, cigar lighter.....19.95
- 15506 Wire ass'y., back up lights to dash loom, 5513.95
- 15510A Gasket, back up light lens, 55.....1.50
- 15510B Gasket, back up light lens, 561.50
- 15514A Lens, back up light, 55.....7.95
- 15514B Lens, back up light, 56.....7.95
- 15514C Plate, block off, 55, chrome19.95
- HWK 25 Back-up light lenses to bodies, 55 (6 pcs-2 sides)5.95
- HWK 26 Back-up light lenses to bodies, 56 (4 pcs-2 sides)4.95
- HWK 27 Back-up light block-off plates to body, 55 (6 pcs-2 sides)1.25
- 15515A Housing, back up lamp, 5527.35
- 15515B Housing, back up lamp, 5638.95
- HWK 138 Back-up housings to rear quarters, 56 (12 pcs-2 sides)1.90
- 15520 Back up light switch, manual transmission.....10.95
- 15533A Pad, back up lamp body, 55, with back up lamps.....2.55
- 15533B Pad, block off plate, 55, used without back up lamps3.10
- 15533C Pad, back up lamp body, 56, used with or without back up lamps.....2.00
- 15536 Wire pigtail, backup light, 55/563.25
- 15536A Wire pigtail, back up light, as original, w/o socket, 55/564.60
- 15540K Kit, back up lamp switch bracket and actuator, standard trans. only (except T-85), 55/57, consists of one each #15540 and #1551718.85
- 15540BK Back up light bracket kit, 56/57, T-85 trans.29.95
- 15A801 Lamp ass'y., shifter.....29.95
- 15805 Lens, trans selector, plastic9.95



15839 - Switch Bracket

- 15839 Bracket, neutral safety switch to shifter19.95
- 15840 Shield, shifter lens backing plate16.95

BACK-UP LIGHT ASSEMBLY



•NOTE• Line drawings are for reference only.

1955 WIRING PARTS LIST

12259K	Kit, spark plug wires, with attaching brackets and grommets. Consists of 1-12259C & 1-12113K.....	55.40	14445A	Wiring ass'y., between headlights, voltage regulator and horns.....	56.65
•HWK 233	Spark plug wire brackets to engine (8 pcs).....	2.50	14476A	Wire loom, neutral safety switch.....	19.50
12298	Coil wire.....	20.95	14495	Wire, coil to resistor.....	4.30
13076A	Wiring ass'y., headlamp lead, 55/56.....	each...19.95	14526A	Wire, radio power supply, 55.....	7.95
13341	Switch, turn signal, replacement switch with bushing.....	94.50	14590	Ground wire, under dash, 55/56.....	9.95
13411A	Socket, back up lamp bulb, 55.....	10.95	14628A	Wire, starter solenoid to circuit breaker, 55.....	4.00
13548	Wire, 57 license light and 55/57 dash lights, w/o socket.....	2.95	14628B	Wire, circuit breaker on firewall to circuit breaker under dash, 55.....	9.95
14296A	Wire, license lamp feed, 55.....	7.95	14630A	Wire loom, pr. window in door, RH, 55.....	51.95
14302	Wire, coil to distributor.....	3.60	14631A	Wire loom, pr. seat/pr. window combo in door, LH, 55.....	69.95
14303A	Ground strap, engine to firewall, 55/56.....	3.60	14643A	Wire looms, pr. seat, 3 loom set, 55.....	79.95
14308	Wire ass'y., horn ring to engine loom.....	19.95	14679C	Wire loom, window relay to motor, 55.....	26.95
14309	Wire ass'y., heater switch to heater motor, moulded ends.....	14.95	14689A	Wire loom, pr. seat in door, 55.....	38.95
14322	Wire ass'y., oil sending unit to wire loom.....	5.50	15506	Wire ass'y., back up lights to dash loom, 55.....	13.95
14382	Wire loom, overdrive.....	29.95	15536	Wire pigtail, backup light, 55/56.....	3.25
14388A	Wire, heater switch, with fuse holder, 55.....	16.95	15536A	Wire pigtail, back up light, as original, w/o socket, 55/56.....	4.60
14401AA	Wire ass'y., instrument panel, main loom, 55, 6 volt.....	369.95	18541	Wire and socket, heater light.....	11.95
14401P55	Wire loom, from dash to engine compartment, 55/56.....	79.95	20768	Wiring guard, door to pillar, RH.....	29.95
14405A	Wire loom, rear tail lamp, 55.....	74.95	20769	Wiring guard, door to pillar, LH.....	29.95
14431A	Cable, starter to solenoid, 55.....	23.45			

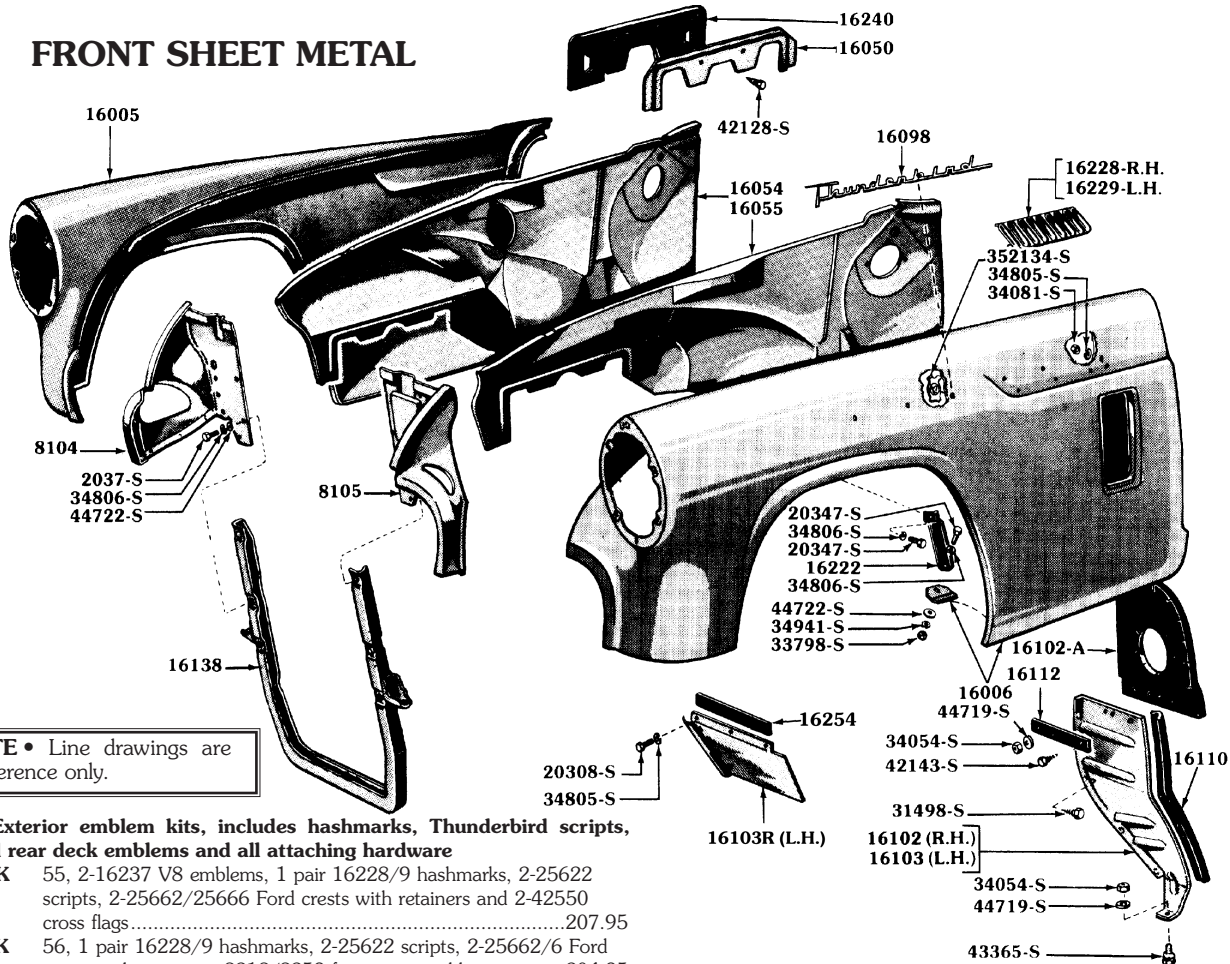
1956 WIRING PARTS LIST

12259K	Kit, spark plug wires, with attaching brackets and grommets. Consists of 1-12259C & 1-12113K.....	55.40	14445A	Wiring ass'y., between headlights, voltage regulator and horns.....	56.65
•HWK 233	Spark plug wire brackets to engine (8 pcs).....	2.50	14476B	Wire loom, neutral safety switch.....	35.10
12298	Coil wire.....	20.95	14495	Wire, coil to resistor.....	4.30
13076A	Wiring ass'y., headlamp lead, 55/56.....	each...19.95	14526B	Wire, radio power supply, 56/57.....	7.95
13341	Switch, turn signal, replacement switch with bushing.....	94.50	14590	Ground wire, under dash, 55/56.....	9.95
13411B	Socket, back up lamp bulb, 56.....	10.95	14630B	Wire loom, pr. window in door, RH, 56.....	51.95
13548	Wire, 57 license light and 55/57 dash lights, w/o socket.....	2.95	14631B	Wire loom, pr. window in door, LH, 56.....	51.95
14296B	Wire, license lamp feed, 56.....	12.50	14631D	Wire loom, pr. seat/pr. window combo in door, LH, 56.....	69.95
14302	Wire, coil to distributor.....	3.60	14643B	Wire looms, pr. seat, 3 loom set, 56/57.....	114.95
14303A	Ground strap, engine to firewall, 55/56.....	3.60	14679A	Wire loom, pr. window relay, 56.....	26.95
14308	Wire ass'y., horn ring to engine loom.....	19.95	14689B	Wire loom, pr. seat in door, 56.....	38.95
14309	Wire ass'y., heater switch to heater motor, moulded ends.....	14.95	14A725A	Junction block, wiring, LH fender, double, 55/57.....	15.95
14322B	Wire ass'y., oil sending unit to wire loom.....	5.95	14A725B	Junction block, wiring, RH fender, single, 55/56.....	13.15
14382	Wire loom, overdrive.....	29.95	14A725C	Junction block, wiring, turn signal, double, 55/56.....	15.95
14388B	Wire, heater switch, with fuse holder, 56/57.....	16.95	15026	Wire, clock with fuse holder.....	17.95
14401A	Wire ass'y., instrument panel, main loom, 55/56, 12 volt.....	369.95	15536	Wire pigtail, backup light, 55/56.....	3.25
14401P55	Wire loom, from dash to engine compartment, 55/56.....	79.95	15536A	Wire pigtail, back up light, as original, w/o socket, 55/56.....	4.60
14405B	Wire loom, rear tail lamp, 56 w/ or w/o B/U.....	129.95	18541	Wire and socket, heater light.....	11.95
14415B	Wire, license light to loom, 56.....	9.95	20768	Wiring guard, door to pillar, RH.....	29.95
14431B	Cable, starter to solenoid, 56/57, replacement type.....	14.50	20769	Wiring guard, door to pillar, LH.....	29.95
14431C	Cable, starter to solenoid, 56/57, exact reproduction.....	15.95			

1957 WIRING PARTS LIST

12259K	Kit, spark plug wires, with attaching brackets and grommets. Consists of 1-12259C & 1-12113K.....	55.40	14431B	Cable, starter to solenoid, 56/57, replacement type.....	14.50
•HWK 233	Spark plug wire brackets to engine (8 pcs).....	2.50	14431C	Cable, starter to solenoid, 56/57, exact reproduction.....	15.95
12298	Coil wire.....	20.95	14445B	Wire loom, headlight, early 57 with screws to horn.....	22.20
13076B	Wiring ass'y., headlamp leads, 57.....	pair...59.95	14445C	Wire loom, headlight, late 57 with clips on horn.....	25.50
13341	Switch, turn signal, replacement switch with bushing.....	94.50	14476	Wire loom, neutral safety switch.....	35.10
13411C	Socket, back up lamp bulb, 57.....	18.50	14495	Wire, coil to resistor.....	4.30
13411D	Wire pigtail, back up light, as original, w/o socket, 57.....	24.95	14495E	Wire, coil to resistor, 57, 2-4BBL.....	3.50
13412	Socket & wire ass'y., 57 license lamp.....	15.95	14526B	Wire, radio power supply, 56/57.....	7.95
13548	Wire, 57 license light and 55/57 dash lights, w/o socket.....	2.95	14630C	Wire loom, pr. window in door, RH, 57.....	51.95
14302	Wire, coil to distributor.....	3.60	14631C	Wire loom, pr. window in door, LH, 57.....	51.95
14303B	Ground strap, engine to firewall, 57.....	11.50	14631E	Wire loom, pr. seat/pr. window combo in door, LH, 57.....	69.95
14305	Wiring ass'y., generator to voltage regulator, 57.....	18.95	14643B	Wire looms, pr. seat, 3 loom set, 56/57.....	114.95
14308	Wire ass'y., horn ring to engine loom.....	19.95	14643C	Wire loom, dial-a-matic seat, 57.....	169.95
14309	Wire ass'y., heater switch to heater motor, moulded ends.....	14.95	14679B	Wire loom, pr. window relay, 57.....	32.95
14322B	Wire ass'y., oil sending unit to wire loom.....	5.95	14689C	Wire loom, pr. seat in door, 57.....	38.95
14382	Wire loom, overdrive.....	29.95	14A725A	Junction block, wiring, LH fender, double, 55/57.....	15.95
14388B	Wire, heater switch, with fuse holder, 56/57.....	16.95	14774	Wire loom, Dial-A-Matic, relay to dash, 57.....	50.35
14401B	Wire ass'y., instrument panel, main loom, 57.....	395.00	15026	Wire, clock with fuse holder.....	17.95
14401RP57	Wire loom, from dash to engine compartment, 57.....	89.95	18541	Wire and socket, heater light.....	11.95
14401BP57	Dash to engine compartment.....	89.95	20768	Wiring guard, door to pillar, RH.....	29.95
14405C	Wire loom, rear tail lamp, 57.....	112.75	20769	Wiring guard, door to pillar, LH.....	29.95

FRONT SHEET METAL



•NOTE • Line drawings are for reference only.

16000 Exterior emblem kits, includes hashmarks, Thunderbird scripts, nose and rear deck emblems and all attaching hardware

- 16000AK** 55, 2-16237 V8 emblems, 1 pair 16228/9 hashmarks, 2-25622 scripts, 2-25662/25666 Ford crests with retainers and 2-42550 cross flags.....207.95
- 16000BK** 56, 1 pair 16228/9 hashmarks, 2-25622 scripts, 2-25662/6 Ford crests with retainers, 8218/8259 front nose emblem204.95
- 16000CK** 57, 1 pair 16228/9 hashmarks, 2-16098 scripts, 8218/8259 front nose emblem, 43500/42530 deck handle and insert199.95
- 16050** Retainer, A-frame seals.....20.50
- HWK 243** Apron shields (16050) to inner fender panels (8 pcs-2 sides).....2.25



16098 - Thunderbird Script

- 16098** Thunderbird script, front fender, 5724.95
- HWK 28** Thunderbird script to fender, 57 (5 pcs-1 side)1.35
- HWK 29** Thunderbird script to fender, original style clips, 57 (5 pcs-1 side)1.25
- 16102** Front fender splash shield, ribbed, 56/57, RH44.95
- HWK 247** Door post splash shields to front fenders, aprons, upper seals & air duct studs (30 pcs-2 sides).....5.95
- 16102R** Front fender splash shield, flat, RH, (bolts to fender next to frame).....11.95
- HWK 121** Lower splash shields (16102/3R) to inner fender panels (12 pcs-2 sides).....4.50
- 16102A** Rubber seal, front fender splash shield, 56/574.15
- 16103** Front fender splash shield, ribbed, 56/57, LH.....44.95
- HWK 247** Door post splash shields to front fenders, aprons, upper seals & air duct studs (30 pcs-2 sides).....5.95
- 16103R** Front fender splash shield, flat, LH, (bolts to fender next to frame)..11.95
- 16110** Weatherstrip, front fender lower splash shield to fender, 17" long, Set of 2, 56/574.90
- HWK 244** Weatherstrip & seal staples (50 pcs)3.50
- 16112** Strap, holds 16102A rubber seal to 16102 splash shield1.95
- 16222** Brace, inner fender to outer fender9.95
- HWK 245** Fender support braces to aprons (12 pcs-2 sides).....4.95



16228/9 - Front Fender Hashmarks

- 16228** Ornament, front fender hashmark, RH.....29.35
- 16229** Ornament, front fender hashmark, LH.....29.35
- HWK 30** Hashmark chevron (16228) to fender (6 pcs-1 side).....1.25



16237 - Front Fender Emblem

- 16237** Emblem, V-8, front fender, 55.....15.00
- HWK 129** V-8 emblems to fenders (4 pcs-2 sides).....1.15



16240 - Front Fender Apron Shield Seal

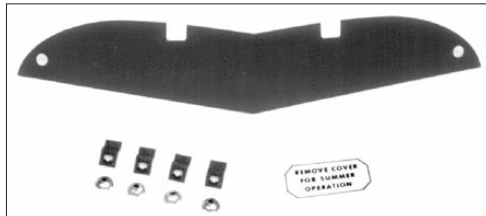
- 16240** Seal, front fender apron shield.....4.05
- HWK 244** Weatherstrip & seal staples (50 pcs)3.50
- 16241A** Clip, radiator grille moulding, 55/561.25
- 16241B** Clip, radiator grille moulding, 571.75
- 16254** Weatherstrip, front fender apron to frame, rear, set of 23.10
- HWK 244** Weatherstrip & seal staples (50 pcs)3.50
- 16377A** Spring, gas door hinge, 55/56, 2 req'd.....3.95
- 16377B** Spring, gas door hinge, 57, 2 req'd.....3.95
- HWK 91** Gas door to hinge, includes studs (6 pcs)2.65

- HWK 139 Gas door to hinge w/o studs (3 pcs)..... .75
- HWK 115A Gas door hinge to body, 55/56 (4 pcs) 1.95
- HWK 115B Gas door hinge to body, 57 (3 pcs)..... .95
- 16607 Grill, hood scoop.....72.95
- HWK 31A Hood scoop grill to hood (8 pcs).....6.95
- HWK 31B Hood scoop grill to hood, includes studs (12 pcs)9.95
- 16612A Pad set, hood anti-rattle.....6.25
- 16700A Spring, hood lock catch ass'y2.95
- 16700B Pin, hood lock catch ass'y, 2 pcs.....10.45
- HWK 96 Hood lock catch to firewall, original style (8 pcs-2 sides).....2.30
- 16740A Hood pad 554.95
- 16740B Hood pad 56/57.....4.95
- HWK 32 Hood pad to cowl drive nails (8 pcs).....2.50



16758A - Hood Bumpers

- 16758A Bumper, hood, set of 4 with screws, 56.....5.20
- 16758B Bumper, hood, set of 4 with screws, 57.....5.20
- 16789A Spring, soft top swingarm, early style, 7"7.95
- 16789B Spring, soft top swingarm, late style, 4-3/4.....7.95
- HWK 190 Hood hinges to nose panel brace (12 pcs-2 sides)2.75
- 16812 Spring, hood hinge10.50



16813K - Hood Block Off Plate Kit

- 16813 Plate, hood block off6.25
- 16813K Kit, hood block off plate, contains 1-16813, 1 Decal, 4-16873 clips & 4 nuts14.60
- 16873 Spacer, hood ornament stud.....1.50

- 16877 Clamp, hood release cable4.90
- 16907 Bracket, hood release cable to firewall.....13.15
- 16916 Cable, hood catch control, as original.....31.45
- HWK 153 Hood release cable bracket to dash (4 pcs)1.50
- HWK 154 Hood release cable to dash bracket (2 pcs)..... .75
- HWK 155 Hood release cable bracket to firewall & cable (6 pcs).....1.50
- ACC 54 Hood cable release tool, to open your hood if the 16877 clamp comes undone or the 16916 cable breaks12.95
- 16921 Spring, Con't kit lever ass'y.....2.95
- 16925 Spring, hood latch.....3.50
- 16929 Dowel, hood lock, NOS.....12.00
- HWK 189 Hood to hood hinges (12 pcs-2 sides).....1.95
- HWK 191 Hood latch pin brackets to hood (12 pcs-2 sides)1.95
- HWK 192 Hood latch pins to hood brackets (2 pcs-2 sides)..... .95
- 16930A Bracket, hood cable at dash, chrome.....14.95
- 16930B Bracket, hood cable at dash, black.....8.45



17032 - Lug Wrench

- 17032 Lug wrench, replacement type24.95

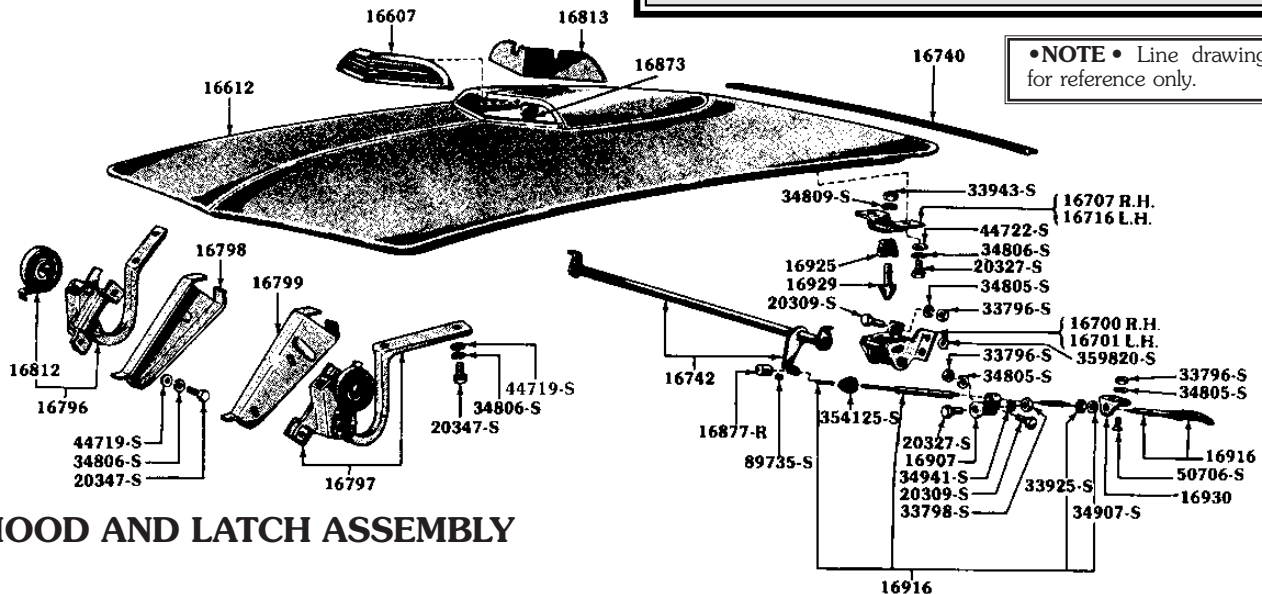


17083 - Jack Hold Down Strap

- 17083 Strap, jack hold down, as original14.50
- 17115 Jack hook, 57135.00
- 17198F Deflector, front bumper stone end, RH, 57, fiberglass49.95
- 17199F Deflector, front bumper stone end, LH, 57, fiberglass49.95
- 17200C Spacer, front bumper bracket to 17198 or 17199, 5713.95
- 17202 Deflector, front bumper stone, center, chrome, 57129.95
- 17204C Bracket, front bumper, RH, 5744.95
- 17205C Bracket, front bumper, LH, 57.....44.95
- 17228C Bracket, rear bumper outer, RH, 5739.95
- 17229C Bracket, rear bumper outer, LH, 5739.95

We Offer One Stop Shopping, Toll Free!

•NOTE• Line drawings are for reference only.



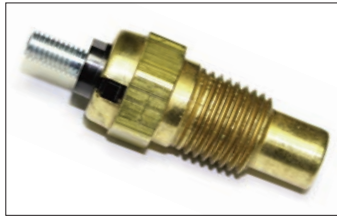
HOOD AND LATCH ASSEMBLY

9278 Sending unit, engine oil pressure10.95



04438 - Instrument Cluster Trim

- 04438** Dash aluminum trim, instrument cluster, 57115.55
- 10804** Regulator, instrument cluster, 5722.70
- 10840** 57 speedometer trim ring, chrome.....22.00
- 10883A** Temp gauge, 5581.55
- 10883B** Temp gauge, 5681.55
- 10883C** Temp gauge, 57CALL



10884B - Temperature Sending Unit - 10884C

- 10884A** Sending unit, temperature, 6 volt, 5569.95
- 10884B** Sending unit, temperature, 12 volt, 5669.95
- 10884C** Sending unit, temperature, 12 volt, 5714.50
- 10911A** Adapter, water temperature sender, 55/5614.95
- 10911B** Adapter, water temperature sender, 5714.95
- ACC 52A** Temperature adapter puller, to remove the 10911 adapter, 55/56 ..19.95
- ACC 52B** Temperature adapter puller, to remove the 10911 adapter, 5719.95



Glass Instrument Lenses

- 10936A** Lens, glass, speedo dial, 574.50
- 10936B** Lens, glass, fuel, temp and tach, 573.45
- 10A938** Bezel set, oil, generator & turn signals, 5729.95



15000AX - Clock



15000CX - Clock

- 15000AX** Clock, rebuilt, 6V, 55, exchange only.....144.95
- 15000AQ** Clock, rebuilt with Quartz movement, 6V, 55229.95
- 15000BX** Clock, rebuilt, 12V, 56, exchange only144.95
- 15000BQ** Clock rebuilt with Quartz movement, 12V, 56229.95
- 15000CX** Clock rebuilt, 12V, 57, exchange only144.95
- 15000CQ** Clock rebuilt with Quartz movement, 12V, 57229.95
- NOTE••** Clocks are rebuilt on an individual basis. You must send us your clock and we will rebuild it. Dose not include replacment of broken stems, hands or faces.
- 15001** Knob, clock, 576.95
- 15003** Gasket, clock, 572.25
- 15026** Wire, clock with fuse holder.....17.95
- 17248A** Seal, speedometer trim ring, 571.15
- 17248B** Seal, small instrument trim ring, 571.00



17260A - Speedometer Cable

- 17260A** Cable & housing, speedometer, 55, 56 with FM24.95
- 17260B** Cable & housing, speedo, 57, with FM.....39.95
- 17260C** Cable & housing, speedo, 56/57, with OD trans or std.....39.95
- 17260D** Cable & housing, speedo, 55 all, 56 FM without angle drive.....24.95
- 352285S** Speedo cable grommet1.25



17265A - Speedometer Face

- 17265A** Dial, speedometer, face, 55/5642.95
- 17279** Angle drive assembly, speedometer, 55/56214.95
- 17292** Snap ring, speedo gear, 57 Fordomatic trans1.95
- 17298** "O" ring seal, speedometer housing to transmission.....2.90
- 17306** 55/56 speedometer cable spring clip10.00
- 17310A** Clip, speedometer to dash, 55/56, each4.95
- 17314A** S/S Washers, turn signal indicators on dash, pair, 55/568.35
- 17314B** Turn signal indicator bezel, 55/5615.95



17319 - Speedometer Dome Cover

- 17319** Dome cover, plastic speedometer housing, 55/5627.95
- 17322A** Gear, speedometer cable, 55/56 Fordomatic or 55/57 Std. trans, 20 teeth19.95
- 17322C** Gear, speedometer cable, 55/56 Fordomatic or 55/57 Std. trans, 19 teeth19.95
- 17322D** Gear, speedometer cable, 55/56 Fordomatic or 55/57 Std. trans, 22 teeth19.95
- 17322E** Gear, speedometer cable, 55/56 Fordomatic or 55/57 Std. trans, 21 teeth19.95
- 17322B** Gear, speedometer cable, 57 Fordomatic, 19 teeth.....19.95
- B17271K** Gear, speedometer cable, 57 Fordomatic, 18 teeth.....19.95



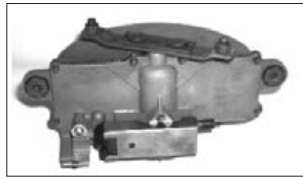
17361 Tachometer Face



17362 Clock Face

- 17361** Tachometer face, 55/56, with recessed letters16.75
- 17361A** Needle, tachometer, 55/56.....10.95
- 17362** Clock face, 55/56, with recessed letters16.75
- 18374** Clock face, 5710.45
- 17365A** Tachometer cable & housing assembly, 55, 45 3/4"34.95
- 17365B** Tachometer cable & housing assembly, 56/57, 38 1/2"34.95
- 17365C** Tachometer cable bracket and clip11.95
- 17365M** Tachometer cable, mallory Dist.36.95
- 17374** Gear, tachometer cable.....37.00
- 17383** "O" ring oil seal, tachometer cable55

- 17450 Clip and spring ass'ly., wiper arms to motor.....8.50
- 17470 Wiper control switch from dash to motor.....59.95

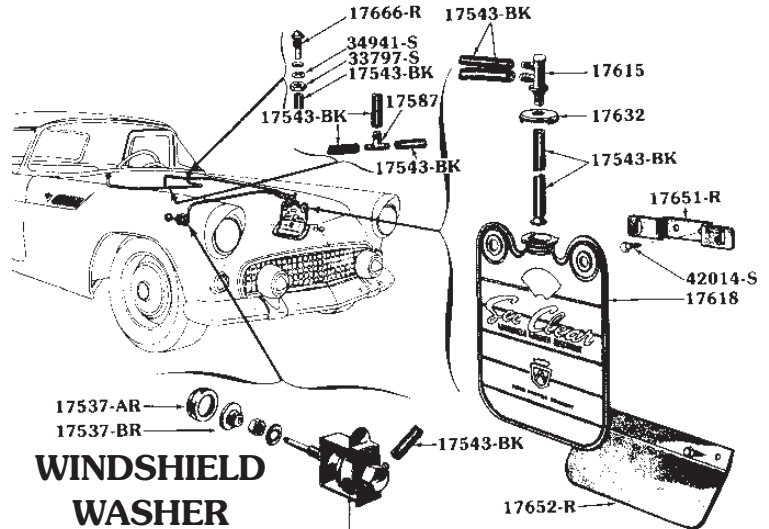


17508X

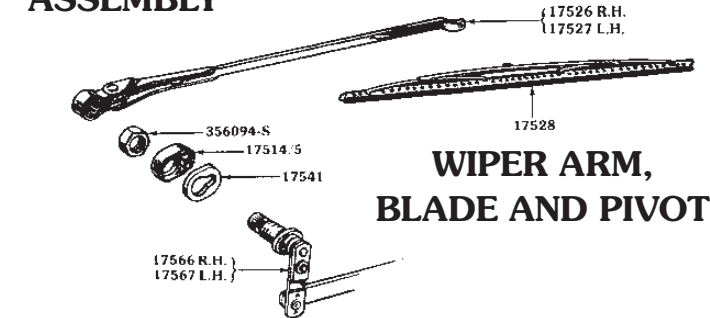


17509K

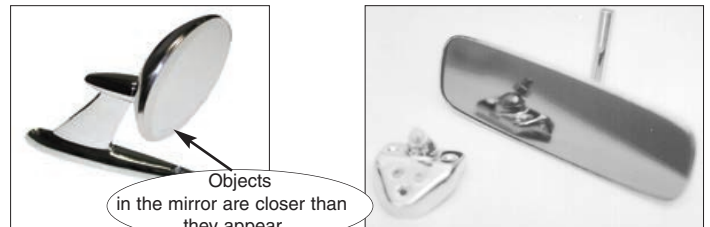
- 17508X Motor, windshield wiper, rebuilt, exchange only.....109.95
- 17509K 12V electric wiper motor conversion kit.....259.95
- 17512 Wiper bezel, 57.....12.95
- 17513 Knob, wiper, original style.....15.65
- 17514/5 Bezels, windshield wiper pivot, pair.....21.95
- 356094S 55/57 w/shield wiper transmission nut.....5.00
- ACC55A Wiper nut socket wrench.....9.95
- 17526A Arm, windshield wiper, RH, 55, exact reproduction.....31.95
- 17526B Arm, windshield wiper, LH, 56/57, exact reproduction.....31.95
- 17527A Arm, windshield wiper, LH, 55, exact reproduction.....31.95
- 17527B Arm, windshield wiper, LH, 56/57, exact reproduction.....31.95
- 17528A Blade, windshield wiper, each, 55, exact reproduction.....31.95
- 17528B Blade, windshield wiper, each, 56/57, exact reproduction.....31.95
- 17537A Pad, windshield washer pedal.....4.95
- 17537B Pedal and clip, windshield washer.....10.45
- 17537C Clip, windshield washer pedal to shaft.....1.10
- 17541 Washer, windshield wiper arm to pivot shaft, leather.....1.00
- 17543AK Kit, vacuum hoses, wiper motor/heater control valves.....8.95
- 17543BK Kit, washer hose, all the hose you need to do the entire w/shield wash system.....8.95
- 17562 Grommet, wiper arm link, 2 required.....1.00
- 17580A Grommet, windshield washer hose at firewall, 373195-S.....1.50
- 17587 Tee, windshield washer hose.....1.50
- 17593 Wiper blade rubber refill, each.....8.00
- 17615 Tee, windshield washer reservoir bag to hoses.....15.40
- 17616 Filter, washer bag to tee.....5.25



WINDSHIELD WASHER ASSEMBLY



WIPER ARM, BLADE AND PIVOT



17618A - Reservoir

- 17618A Reservoir, exact reproduction, 55.....26.95
- 17618B Reservoir, exact reproduction, 56.....26.95
- 17618C Reservoir, exact reproduction, 57.....26.95
- 17632 Cover, windshield washer reservoir.....3.65
- 17651 Bracket, windshield washer reservoir mounting.....11.50
- 17652 Shield, windshield washer reservoir, lower.....5.80
- HWK 207 Windshield washer bag bracket & lower bag shield to inner fender (4 pcs)......95
- 17664BK Bulb only, washer pump.....7.50
- 17664B Spring, inside washer pump, stainless......55
- 17664C Pump, windshield washer, 55/56.....79.95
- 17666 Nozzles, windshield washer jets, original type, pair.....29.95
- 17666A Seals, washer squirter jet, pair......65
- HWK 100 Windshield washer jets to cowl (4 pcs-2 sides)......95

- 17696ACV **Outside Mirror**
- 17696A Mirror, outside, exact reproduction, 1 hole base, 55.....35.95
- 17696ACV Mirror, Convex Glass, 1955, RH.....40.95
- 17696B Mirror, outside, exact reproduction, 2 hole base, 56/57.....35.95
- 17696BCV Mirror, Convex Glass, 1956-57, RH.....40.95
- 17696D Gasket, outside mirror, paper type......95
- 17696E Gasket, outside mirror, rubber type.....5.60
- HWK 33 Outside mirror to door with front threaded hole, 55 (4 pcs)......75
- HWK 34 Outside mirror to door, 56/57 (2 pcs)......75
- 17700A Mirror with short stem, inside, 55.....28.50
- 17700B Mirror with long stem, inside, 56/57.....28.50
- HWK 35 Inside mirror base to w/shield frame (5 pcs).....1.25
- 17700AK Mirror, short stem and base, 55.....41.95
- 17700BK Mirror, long stem and base, 56/57.....41.95
- 17702 Base only, inside mirror.....13.50

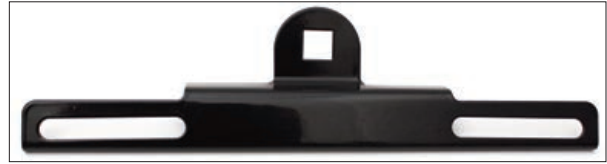
Objects in the mirror are closer than they appear

Most orders shipped within 24 hours!

We accept Visa, M/C, AmEx and Discover

17198F	Deflector, front bumper stone end, RH, 57, fiberglass	49.95
17199F	Deflector, front bumper stone end, LH, 57, fiberglass	49.95
17200C	Spacer, front bumper bracket to 17198 or 17199, 57	13.95
17202	Deflector, front bumper stone, center, chrome, 57	129.95
17204C	Bracket, front bumper, RH, 57	44.95
17205C	Bracket, front bumper, LH, 57	44.95
17228C	Bracket, rear bumper outer, RH, 57	39.95
17229C	Bracket, rear bumper outer, LH, 57	39.95
17668B	Bracket, rear bumper, RH, 56	37.95
17669B	Bracket, rear bumper, LH, 56	37.95

17675B	Bracket, rear bumper, LH inner, 56	19.95
17676B	Bracket, rear bumper, RH inner, 56	19.95

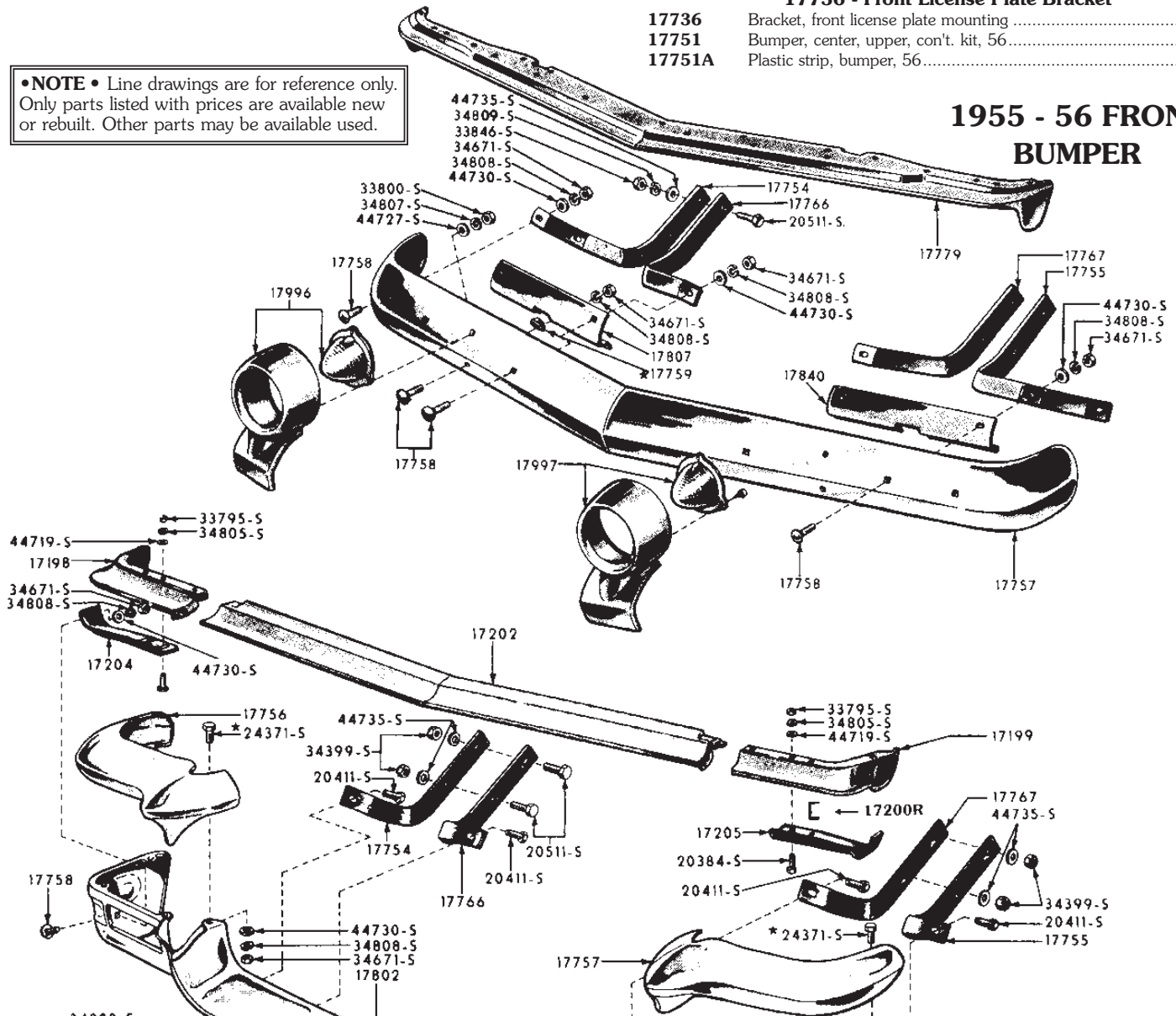


17736 - Front License Plate Bracket

17736	Bracket, front license plate mounting	14.95
17751	Bumper, center, upper, con't. kit, 56	545.00
17751A	Plastic strip, bumper, 56	4.75

•NOTE• Line drawings are for reference only. Only parts listed with prices are available new or rebuilt. Other parts may be available used.

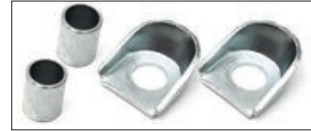
1955 - 56 FRONT BUMPER



1957 FRONT BUMPER

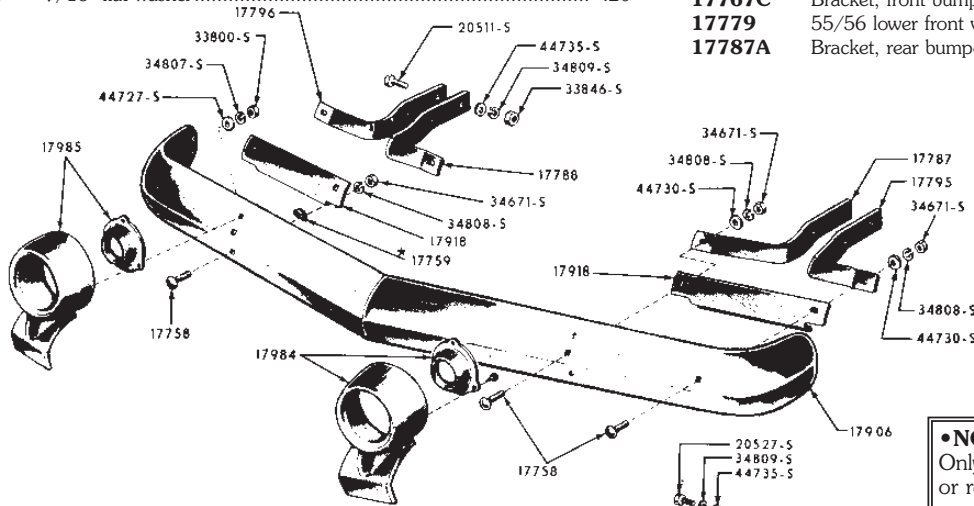
•NOTE• Line drawings are for reference only.

17754A	Bracket, front bumper outer, RH, 55/56.....	41.95
17754C	Bracket, front bumper outer, RH, 57.....	41.95
17755A	Bracket, front bumper outer, LH, 55/56.....	41.95
17755C	Bracket, front bumper outer, LH, 57.....	41.95
17757A	55/56 front bumper.....	795.00
17758S	Bumper bolt, replacement.....	1.25
17758XS	Bumper bolt, show quality.....	2.25
17906A	55 rear bumper.....	795.00
359096S	55/56 Bumper bolt for bumper guard and con't kit.....	2.95
34670S	7/16"-20 hex nut.....	.35
34808S	7/16" lock washer.....	.30
44730S	7/16" flat washer.....	.20



17759DK - Sleeve and Spacer Set

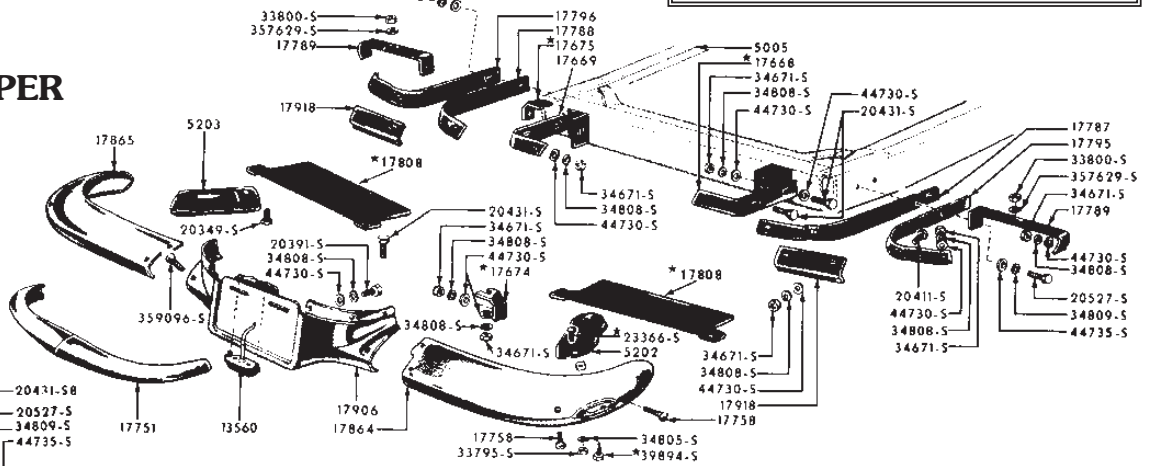
17759DK	Sleeve and spacer set, bumper guards, 55/56.....	8.00
17766A	Bracket, front bumper, inner, RH, 55/56.....	41.95
17766C	Bracket, front bumper, inner, RH, 57.....	41.95
17767A	Bracket, front bumper, inner, LH, 55/56.....	41.95
17767C	Bracket, front bumper, inner, LH, 57.....	41.95
17779	55/56 lower front valence, fiberglass.....	249.00
17787A	Bracket, rear bumper, inner, RH, 55.....	44.95



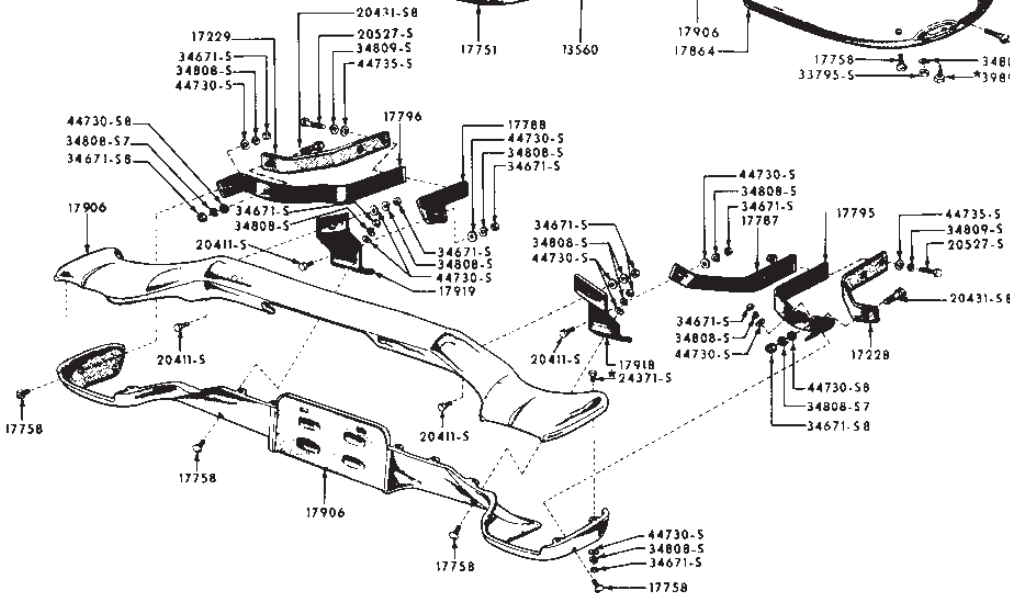
1955 REAR BUMPER

•NOTE • Line drawings are for reference only. Only parts listed with prices are available new or rebuilt. Other parts may be available used.

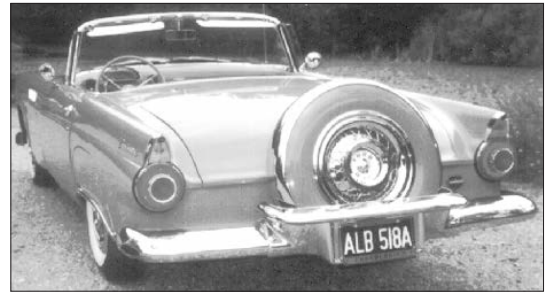
1956 REAR BUMPER



1957 REAR BUMPER



17787B	Bracket, rear bumper, inner, RH, 56	44.95
17787C	Bracket, rear bumper, inner, RH, 57	44.95
17788A	Bracket, rear bumper, inner, LH, 55	44.95
17788B	Bracket, rear bumper, inner, LH, 56	44.95
17788C	Bracket, rear bumper, inner, LH, 57	44.95
17789B	Bracket, rear bumper, outer, LH or RH, 56	44.95
17795A	Bracket, rear bumper, outer, RH, 55	44.95
17795B	Bracket, rear bumper, center, RH, 56	44.95
17795C	Bracket, rear bumper, center, RH, 57	44.95
17796A	Bracket, rear bumper, outer, LH, 55	44.95
17796B	Bracket, rear bumper, center, LH, 56	44.95
17796C	Bracket, rear bumper, center, LH, 57	44.95
•HWK 36	Front bumper to brackets, 55/56 (32 pcs-2 sides)	15.50
•HWK 37	Front bumper to brackets, 57 (8 pcs-2 sides)	5.95
•HWK 38	Front bumper brackets to frame, 55/56 (16 pcs-2 sides)	5.95
•HWK 39	Front bumper brackets to frame & body, 57 (64 pcs-2 sides)	12.95
•HWK 40	Front bumper tips to bumper, 57 (32 pcs-2 sides)	8.95
17807A	Jacking plate, front bumper, RH, 55/56	37.95
17808A	Deflector, rear bumper stone, 56, 2 required	each.. 3.60
17808B	Deflector, rear bumper stone, 57	11.50
•HWK 244	Weatherstrip & seal staples (50 pcs)	3.50
17840A	Jacking plate, front bumper, LH, 55/56	37.95
17864	Bumper, rear, RH, outer, 56	CALL
17865	Bumper, rear, LH, outer 56	CALL
17906D	Bumper, lower, center, rear, 56, chromed	745.00
17906K	Bumper bracket set, rear, 56, 12 pcs	419.95
•HWK 41	Rear bumper to brackets, 55 (22 pcs-2 sides)	12.95
•HWK 42	Rear bumper to brackets, 56 (24 pcs-2 sides)	12.95
•HWK 43	Rear bumper to brackets, 57 (16 pcs-2 sides)	10.95
•HWK 44	Rear bumper brackets to frame, 55 (16 pcs-2 sides)	5.95
•HWK 45	Rear bumper brackets to frame, 56 (56 pcs-2 sides)	14.95
•HWK 46	Rear bumper brackets to frame, 57 (36 pcs-2 sides)	11.95
•HWK 47	Rear bumper halves to each other, 57 (48 pcs)	11.95
•HWK 76	Upper rear bumper to lower, 56 (18 pcs)	4.95



17906K - Continental Kit

17906K	Continental kit, specify year	CALL
17918A	Jacking plate, rear, RH, 55	39.95
17918B	Jacking plate, rear, RH or LH, 56	39.95
17918C	Jacking plate, rear, RH, 57	39.95
17919A	Jacking plate, rear, LH, 55	39.95
17919C	Jacking plate, rear, LH, 57	39.95
17984/5	Bumper guards, rear, w/o inserts, cast brass, pair	995.00
17984A	Insert, rear bumper guard, donut type, 55	89.95
••NOTE••	For 55 fake exhaust tips see 5263FA or 5263FB	
17996/7	Bumper guards, front, w/o inserts, cast brass, pair	995.00



17996A

17996A	Bullet cone insert, front bumper guard, 55/56	99.95
•HWK 272	Bumper guard centers to guards, front or rear (12 pcs-2 sides)	2.95



17984A



17984B

SHOCK ABSORBERS

18072	Bracket, lower front shock mounting	13.95
--------------	---	-------



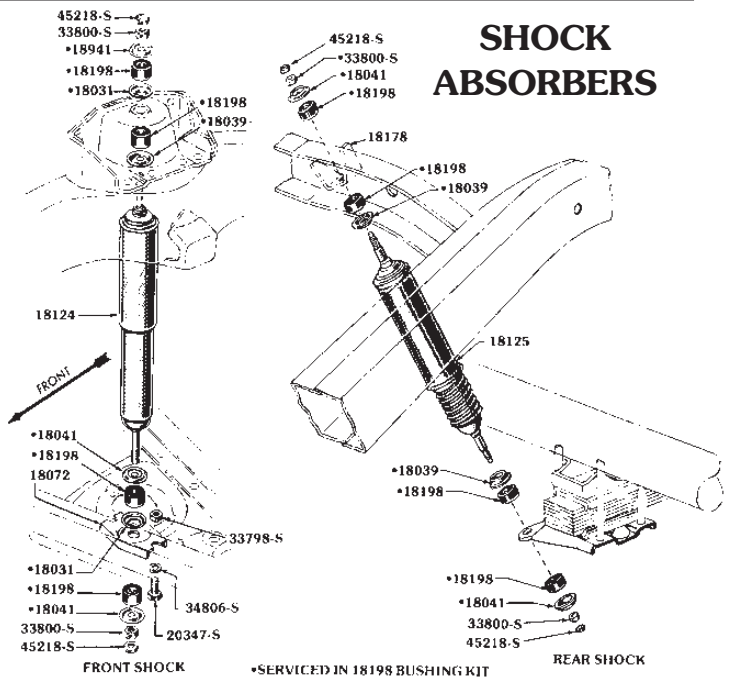
18124 - Front Shock Absorber

18124	Front shock absorber	49.95
18124B	Bilstein Hi performance front shock, valved explicitly for the Thunderbird, each	99.95
18124G	Front shock absorber, KYB gas	39.95
18125B	Bilstein Hi performance rear shock, valved explicitly for the Thunderbird, each	99.95
•HWK 254	Front shock lower mounting plates to lower A frames (8 pcs-2 sides)	2.75
18125A	Springs, rear shock absorbers, pair	3.95
18125	Rear shock absorber, gas	49.95
18125G	Rear shock absorber, KYB gas	39.95



18198 - Bushing Repair Kit

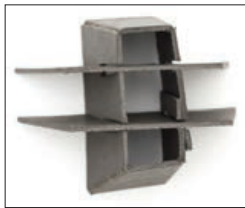
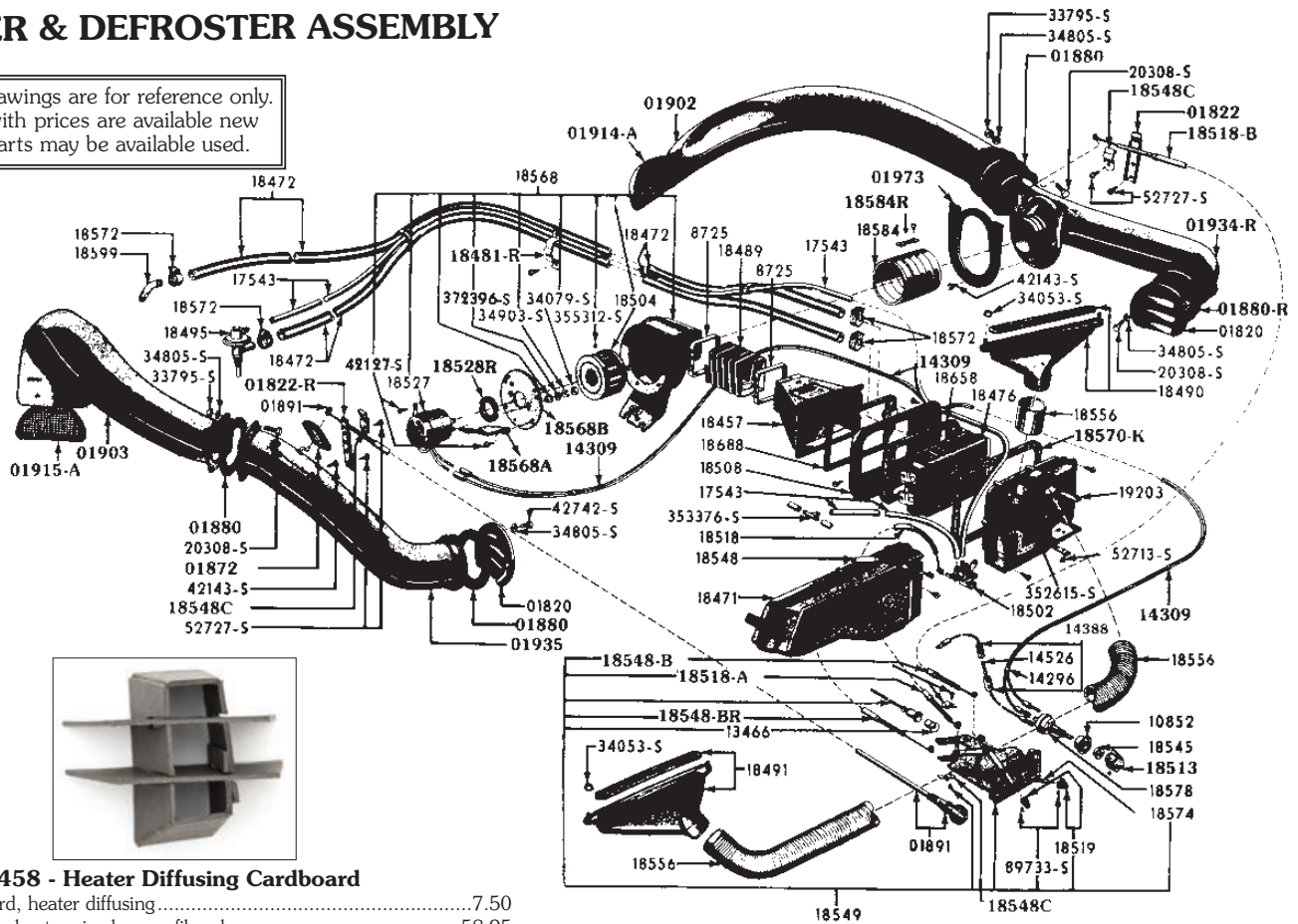
18198	Kit, bushing repair, shock absorber mounting	7.50
18374	Clock face, 57 (for 55/56 see 17362)	10.45
15003	Gasket, clock, 57	2.00



•NOTE• Line drawings are for reference only. Only parts listed with prices are available new or rebuilt. Other parts may be available used.

HEATER & DEFROSTER ASSEMBLY

•NOTE• Line drawings are for reference only. Only parts listed with prices are available new or rebuilt. Other parts may be available used.



18458 - Heater Diffusing Cardboard

- 18458 Cardboard, heater diffusing.....7.50
- 18471 Chamber, heater air plenum, fiberglass.....58.95
- 18472 Hose, 5/8 heater, black as original, per foot (8 feet required).....1.25



18476 - Heater Core

- 18476 Heater core, new and as original.....99.95
- HWK 210 Heater blower assembly to inner fender (6 pcs).....1.75
- HWK 211 Heater blower round support plate to housing (5 pcs)......70
- HWK 212 Heater core to housing & housing to firewall (10 pcs).....1.75
- 18480A Seal, felt, back of heater door.....2.40
- 18480B Seal, felt, defroster flapper valve.....3.70
- 18481 Bracket, heater/vacuum hose, mounts to RH inner apron.....5.30
- HWK 213 Heater hose bracket (18481) to inner fender (2 pcs)......75
- 18489 Duct, heater to blower, square.....19.00
- 8725 Clamp for 18489 duct, square.....3.95



18504 - Squirrel Cage Fan

- 18504 Squirrel cage fan, heater motor.....14.95
- 18513 Knob ass'y., heater blower control, original style.....15.70
- 18518A Cable, heater temperature control, 18".....11.95
- 18518B Cable, RH vent control, 39-1/2".....19.95
- 18519A Knob, heater control, 55.....10.95
- 18519B Knob, heater control, 56/57.....10.25
- 18527AX Motor, heater blower, rebuilt, 55, 6 volt.....125.00
- 18527BX Motor, heater blower, rebuilt 56/57, 12 volt.....125.00
- NOTE• We cannot accept motors with rusted out housings.
- NOTE• Do not attempt to disassemble motors as you will damage the brush rack and incur additional charges.
- 18527B Motor, heater blower, new, 56/57 12V.....159.95
- 18528 Grommet, blower motor to housing.....4.10
- 18541 Wire and socket, heater light.....11.95
- 18548A Grommet, vent cable at firewall RH.....3.75
- 18548B Cable, heat/defrost control, 15-1/2".....11.95
- 18548C Clip, heater control cable retaining.....1.60
- 18549C Clip to hold heater control housing to dash.....4.75



18495K



18495

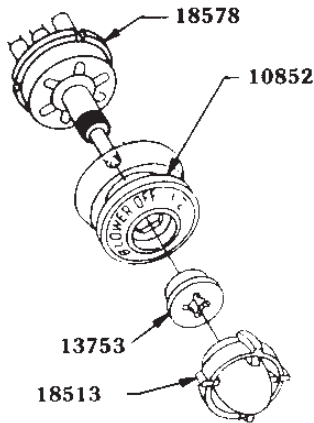


18495SK

Heater Valves

- 18495 Valve, heater water control, reproduction.....79.95
- 18495K Valve kit, heater water control, aftermarket.....49.95
- 18495SK Valve kit, heater valve, includes cable.....65.00

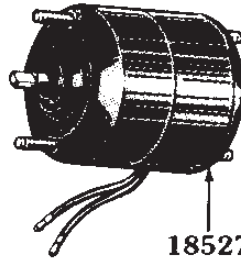
HEATER BLOWER SWITCH



18550 - Heater Face Plate Housing

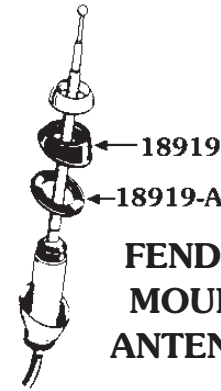
- 18550** Housing, heater control face plate.....34.95
- 18556** Hose, defroster.....19.95
- 18568A** Shield, blower motor heat.....15.70
- 18568B** Plate, heater blower motor mounting, round.....15.70

HEATER BLOWER MOTOR



18527

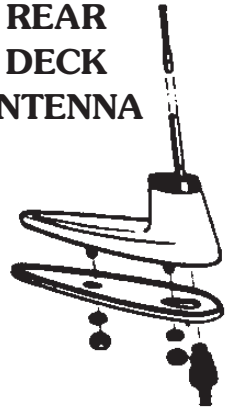
HEATER BLOWER MOTOR



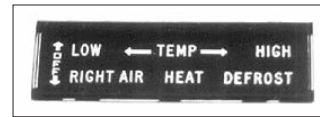
18813

FENDER MOUNT ANTENNA

REAR DECK ANTENNA



18813B

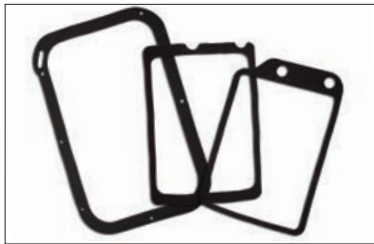


18619 - Face Plate



18599 - Elbow

- 18584R** Strap, heater blower housing to air duct.....1.45
- 18599** Elbow, water pump to heater hose.....7.95
- 18619** Heater control face.....11.50
- 18620** Heater face backing plate.....4.95
- 18658** Gasket, heater core to case.....2.35



18570K - Heater Gasket Set

- 18570K** Gasket set, heater, includes 1-18570, 1-18658 and 1-18688.....6.95



18805TC

Radio Switch

- 18805TC** Switch, radio Town & Country control.....37.95
- 18805V12** Vibrator, radio, 12 volt, 56.....44.95
- 18807** Plug and wire, speaker.....10.50
- HWK 117A** Radio speaker grill to dash (4 pcs)......95
- HWK 117B** Radio speaker grill to dash, includes studs (8 pcs).....6.95
- HWK 119** Radio support straps to radio & dash (4 pcs)......95
- HWK 120** Radio shafts to dash (2 pcs).....4.80



18572A



18572BK

Hose Clamps

- 18572A** Clamp, power steering return hose & power brake booster vacuum hose.....1.00
- 18572BK** Clamp set, heater & bypass hoses. Original scissor style, 6 clamps.....3.50



18574A - Heater Control Arm

- 18574A** Lower heater control arm, chrome.....16.75
- 18575** Upper heater control arm.....16.75
- 18578** Switch ass'y., heater blower motor.....27.25
- 18584** Duct, round, heater housing to air duct.....8.95



TB-SP-1 Dual Speaker



18808A - Mono Speaker

- 18808A** Speaker, radio, high quality speaker with polyurethane roll edge and proper ohm rating.....16.95
- ACC33 - TB-SP-1** Upgraded speaker assembly.....34.00
- 18813** Antenna ass'y.; includes #18919 plastic stanchion & #18919A rubber mtg. pad, exact repro. w/groove.....62.50
- ACC 50** Antenna nut wrench, to remove the antenna base nut.....7.95
- 18813B** Antenna, rear deck, 57.....99.95
- 18813E** Antenna, electric kit.....69.95



18820A - Knob

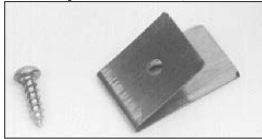


18820B - Knob



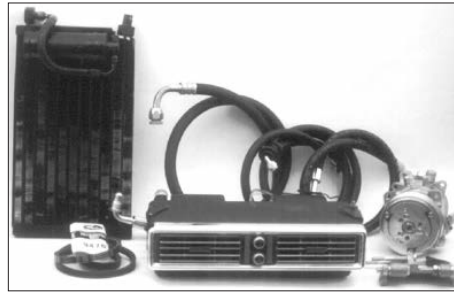
18830 - Bezel

18820A	Knob, radio, split shaft	15.75
18820B	Knob, radio, D shaft.....	15.75
18830	Bezel, radio tone, chrome.....	9.95
18832	Radio supressor, condensor at voltage regulator.....	19.95
18869	Radio volume compensator wire, 57 as original.....	29.95



18870A - Noise Suppressor Clip

18870A	Clip, radio noise suppressor, with screw, 55.....	3.40
18870B	Clip, radio noise suppressor, with screw, 56/57.....	3.40
18912	Grommet, radio antenna lead in seal, and plug for pillar post screw access hole in dog leg area of doors.....	2.95
18919	Stanchion, radio antenna.....	9.95
18919A	Pad, radio antenna stanchion mounting	2.50
18919B	Pad, rear deck antenna.....	6.50
18954	Band, aluminum tie for heater hoses.....	2.35
19203	Knob, heater box door.....	7.50



19950K

19950K Air conditioning installation kit; includes all the necessary parts to install air conditioning in the little Birds with 12 volt electrical systems. This kit uses the revolutionary rotary compressor, which is smaller, quieter, smoother operating and requires less horsepower than the conventional piston compressors. This kit includes a new generator mounting bracket that also serves as the compressor bracket. This is by far the BEST unit available for the T-Bird. Don't be fooled by less expensive units, R12 only, 12 volt.....950.00



19203 - Knob

19950BK Air conditioning as above, use R134 refrigerant, 12 volt.....975.00
19950P Your complete Perfect Fit™ 1955-57 Thunderbird A/C system comes complete with: • All interior components • Evaporator assembly • Condenser kit including pre-engineered condenser mounting • Pre crimped refrigeration hoses • Sanden-style compressor • Hi-Low refrigerant pressure switch for compressor protection • Aluminum hookup tubes • Compressor mounting hardware • Installation instructions and mounting template
 All at a discounted complete kit price.....1379.00

DOORS & WINDOWS

20000	Repaint rubber kits, includes all the rubber gaskets for the body of your Thunderbird. See 13,000 kits for lens gaskets and seals. Does not include windshield, back glass or top seals	
20000AK	55.....	189.00
20000BK	56.....	210.00
20000CK	57.....	199.00
20125A	Channel, lower door, retains weatherstrip.....	14.50
20314A	Pillar, door, chrome, 55, RH.....	169.95
20314B	Pillar, door, chrome, 56/57, RH.....	169.95
20315A	Pillar, door, chrome, 55, LH.....	169.95
20315B	Pillar, door, chrome, 56/57, LH.....	169.95
•HWK 170	Door pillars to doors (8 pcs-2 sides).....	1.80
20320	Bracket, upper, door pillar to door, RH.....	13.60
20321	Bracket, upper, door pillar to door, LH.....	13.60
20330	Weatherstrip, door pillar.....	2.50
20511S	Bolt, bumper bracket to frame.....	.65
20530	Weatherstrip, door, RH.....	31.50
20531	Weatherstrip, door, LH.....	31.50
20570	Weatherstrip, door at belt, RH.....	2.95
20571	Weatherstrip, door at belt, LH.....	2.95



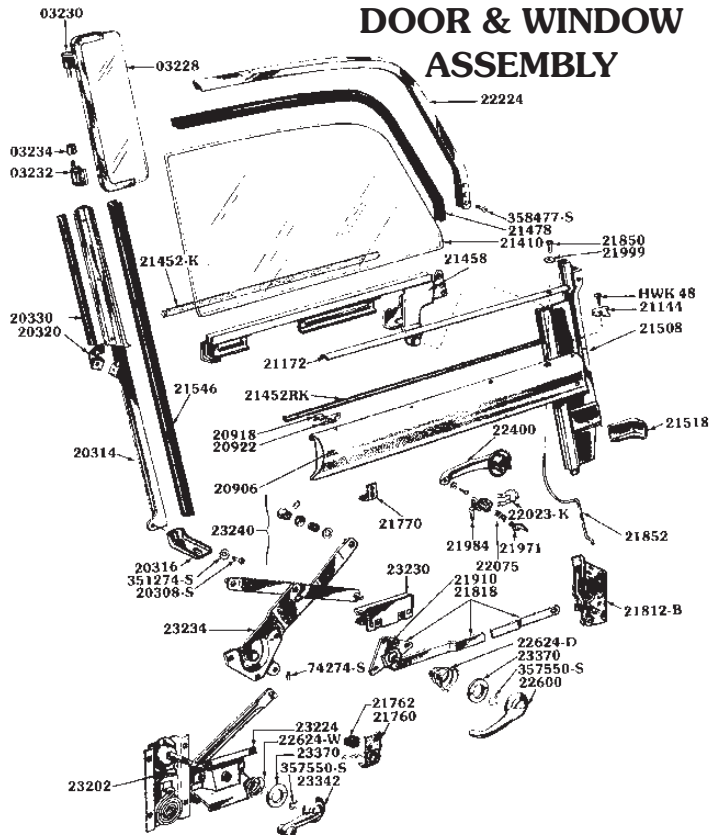
20572 - Door Weatherstrip Retainer

20572	Retainer, door weatherstrip, lock side, 57, RH.....	13.25
20573	Retainer, door weatherstrip, lock side, 57, LH.....	13.25
•HWK 166	Door weatherstrip spacers (20572/3) to doors, 57 (4 pcs-2 sides).....	.95



20768 - Wire Guard

20768	Wiring guard, door to pillar, RH.....	29.95
20769	Wiring guard, door to pillar, LH.....	29.95



•NOTE• Line drawings are for reference only. Only parts listed with prices are available new or rebuilt. Other parts may be available used.

- HWK 172 Power window wiring protector to door (2 pcs-1 side)..... .45
- 20906 Garnish rail, metal, RH49.35
- 20907 Garnish rail, metal, LH49.35
- HWK 162A Door garnish rails (20906/7) to doors (8 pcs-2 sides).....1.80
- HWK 162B Door garnish rails (20906/7) to doors, oversize
(8 pcs-2 sides).....2.30



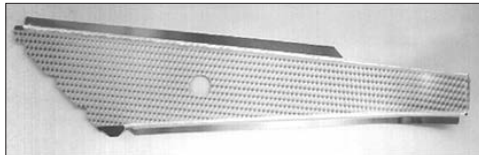
20920/1 - Door Trim Moulding

- 20920 Moulding, "L" door trim, rear, RH13.90
- 20921 Moulding, "L" door trim, rear, LH13.90
- 20922 Bracket for door garnish rails, 4 req'd, each18.00
- 21032 Retainer, lower, door trim panel, RH 5713.95
- 21033 Retainer, lower, door trim panel, LH 5713.95
- HWK 173 Door panel channels (21032/3) to doors (8 pcs-2 sides).....1.50
- 21090S Bolt, front motor mount 1.95
- 21122 Cover plate, door access hole, steel.....19.50
- HWK 167 Door access plates to doors (24 pcs-2 sides)2.95



21134 - Wedge Spacer

- 21134 Wedge spacer, door trim moulding, RH39.95
- 21135 Wedge spacer, door trim moulding, LH39.95
- HWK 165 Armrest wedge spacers (21134/5) to doors (18 pcs-2 sides).....3.95
- 21144 Plate, door garnish finish, RH14.35
- 21145 Plate, door garnish finish, LH14.35
- HWK 48A Door garnish plates (21144/5) to door (4 pcs-2 sides)..... 1.25



21167 - Aluminum Door Trim Panel

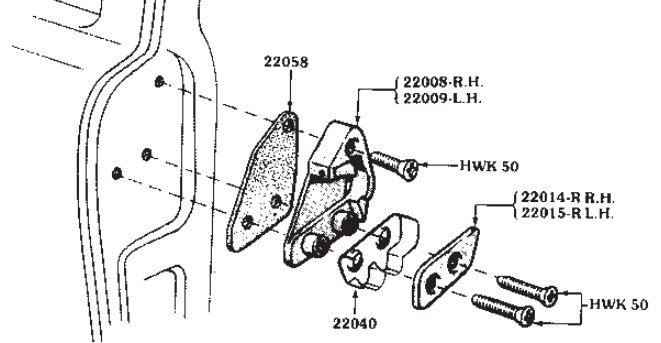
- 21166 Panel, aluminum door trim finish, RH97.70
- 21167 Panel, aluminum door trim finish, LH97.70
- 21167DC Panel, aluminum door trim finish, LH, die stamped for power seat switch.....108.20
- 21172 Moulding, door garnish finish, top28.95
- HWK 163 Door garnish mouldings (21172) to garnish rails
(18 pcs-2 sides)8.80
- 21334A Dish washer, door panel2.00
- 21410C Glass, door window, clear, with FoMoCo script40.00
- 21410T Glass, door window, tinted, with FoMoCo script41.00
- 21410A Retainer strip, door glass, lower1.75



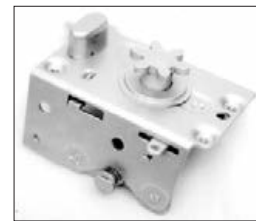
21452K - Door Glass "Cat Whiskers"

- 21452K Kit, door glass "Cat Whiskers" 4 pcs. with clips21.95
- 21458 Channel assembly, door glass, RH66.15
- 21459 Channel assembly, door glass, LH66.15
- HWK 92 Door glass stainless to lower channels (6 pcs-2 sides).....1.55
- 21478 Retainer rubber, door glass, between glass and stainless.....2.95

1956-57 DOOR LOCK STRIKER



- 21508A "Mole skin" lining for rear glass run; 36", enough to do both doors3.95
- 21546 Run, front door glass, felt channel19.50
- HWK 49 Door glass channel run to door pillar (6 pcs-1 side)1.00
- 21760 Bracket, lower window stop16.50
- 21762A Bumper, door window stop1.65
- 21770 Stop, upper door window4.10
- HWK 169 Upper window stops (21770) to doors (12 pcs-2 sides).....3.15
- 21812 Spring, door lock main return5.20



21813BX - Door Lock Assembly

- 21812AX Lock ass'y., door, 55, RH, rebuilt, exchange only 29.95
- 21812BX Lock ass'y., door, 56/57, RH, rebuilt, exchange only 29.95
- 21813AX Lock ass'y., door, 55, LH, rebuilt, exchange only 29.95
- 21813BX Lock ass'y., door, 56/57, LH, rebuilt, exchange only 29.95
- HWK 168 Door lock assemblies to doors (10 pcs-2 sides) 3.95



21819 - Door Lock Control

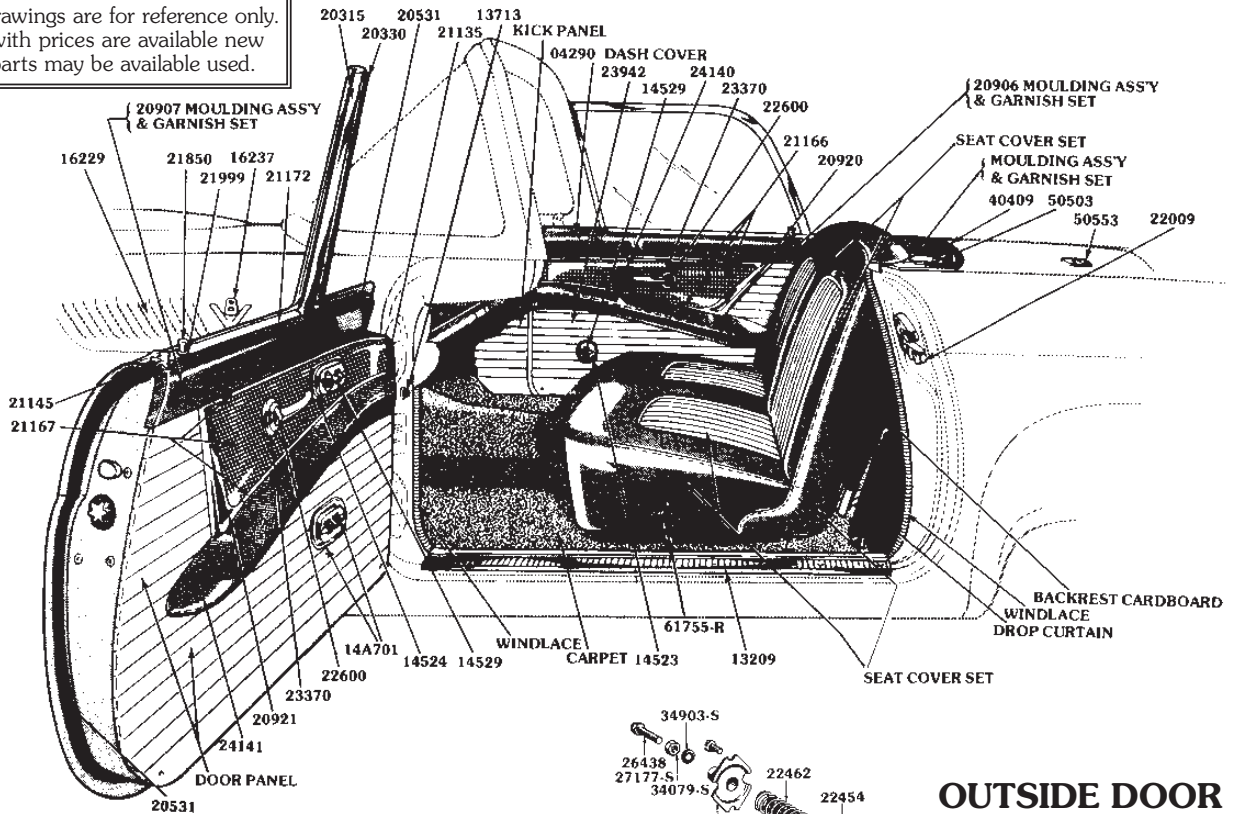
- 21818 Control, door lock remote, RH47.95
- 21819 Control, door lock remote, LH47.95
- 21850 Knob, door lock pull, exact reproduction6.95
- 21852 Rod, door lock button11.50
- 21910 Spring, door lock remote5.20
- 21942A Cover, door lock, with spring, RH10.95
- 21952A Retainer clip, door lock rod2.00



21971 - Door Lock Cylinder Lever

- 21971 Lever, door lock cylinder, correct length4.50
- 21984 Lock & sleeve, door lock, RH75.95
- 21985 Lock & sleeve, door lock, LH39.95
- NOTE•• Does not include #21971 or #22075
- 21999 Grommet, door lock knob1.00
- 22007A Spring, trunk lock flip lid, 55/56, 3/4"3.50

•NOTE • Line drawings are for reference only. Only parts listed with prices are available new or rebuilt. Other parts may be available used.



22007B	Spring, trunk lock flip lid, 57, 1/2".....	3.50
22008A	Plate, door lock striker, RH, 55.....	17.80
22008B	Plate, door lock striker, RH, 56/57, includes 22040.....	20.85
22009A	Plate, door lock striker, LH, 55.....	17.80
22009B	Plate, door lock striker, LH, 56/57, includes 22040.....	20.85
•HWK 50	Screws for door lock striker, (3 pcs-1 side).....	2.55
22014	Plate, door lock striker, auxiliary, RH.....	15.65
22015	Plate, door lock striker, auxiliary, LH.....	15.65
22023K	Retainer, door lock cyl., RH & LH, per set of two.....	7.85
22040	Insert, door striker plate, 56/57.....	10.00



22050K

Ignition and Door Lock Kits

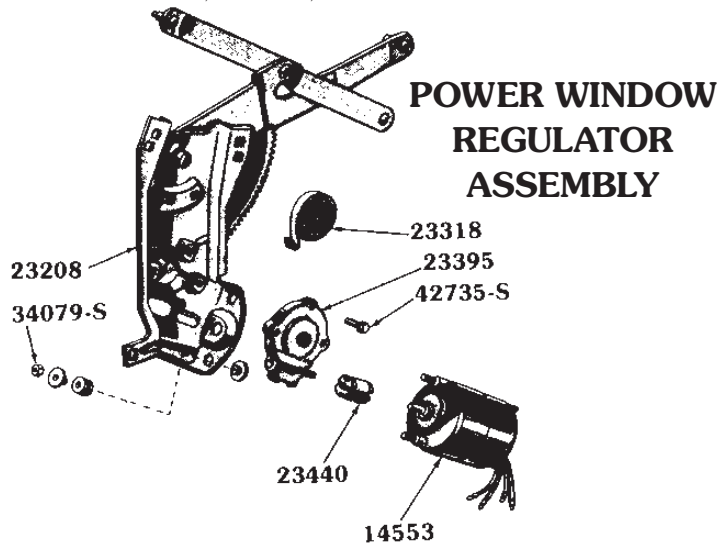
22050	Ignition lock and door locks only.....	52.95
22050K	Kit, ignition & door locks. Contains 1-11582, 1-21984, 1-21985, 2-21971, 2-22075, 2 keys & 22023K.....	60.95
22051K	Key blanks, as original, pair.....	3.00
22058	Shim, striker plate.....	.95
22075	Spring, door lock operating lever.....	.70
22224	RH door glass, stainless moulding.....	249.00
22225	LH door glass, stainless moulding.....	249.00
22400	Handle, door, outside RH & LH, pair.....	41.95
•HWK 110A	Outside door handles to doors, 55/56 (8 pcs-2 sides).....	1.95
•HWK 110B	Outside door handles to doors, 57 (8 pcs-2 sides).....	1.95
22428	Pad, outside door handle, large, RH.....	.95
22429	Pad, outside door handle, large, LH.....	.95
22448	Pad, outside door handle, small.....	.95
22428/9K	Kit, includes one #22428, one #22429, and two #22448.....	3.80
22454A	Button, ass'y., outside door handle, 55/56.....	38.95
22454B	Button, ass'y., outside door handle, 57.....	38.95
22462	Spring, outside door handle button.....	1.10
22478	Seal, door outside handle button.....	1.30



OUTSIDE DOOR HANDLE



22600A	Handle, door inside, 55/56.....	24.95
22600B	Handle, door inside, 57.....	24.95



POWER WINDOW REGULATOR ASSEMBLY



- 23342B** Handle, window regulator, 57, includes clip.....29.95
- 23370** Plate, window & door handle, nylon1.00



- 22601T - Handle Removing Tool**
- 22601T** Tool, door & window handle. A "must" for removing the inside door handles and window cranks6.95
- 22624D** Spring, door handle95
- 22624W** Spring, window handle..... .95
- B43030** 55/69 Hinge pin, to rebuild door hinges.....1.95
- 22810X** Door hinge, RH, rebuilt, exchange only29.95
- 22811X** Door hinge, LH, rebuilt, exchange only.....29.95
- NOTE•• Hinge cores must be received in a rebuildable condition, without any modifications and hinge pins must not be rusted to the casting.
- 76001A** Pin, door stop lever, with clip3.95
- 76001B** Pin, door stop lever, as original.....6.95
- HWK 171 Door hinge to door & body (7 pcs-1 hinge).....3.75
- 23202** Regulator, door window, 55/57, zinc plated, RH, manual.....94.95
- 23203** Regulator, door window, 55/57, zinc plated, LH, manual.....94.95

- 23394X - Power Window Gear Box**
- 23394X** Gear box, power window, rebuilt, RH, exchange only.....74.95
- 23395X** Gear box, power window, rebuilt, LH, exchange only.....74.95
- 23395** Repair kit, power window transmission52.45



23440 Power Window Coupler **23279** Power Seat Coupler

- 23234A** Manual scissors, 55/56 RH.....119.95
- 23234B** Manual scissors, 57 RH.....119.95
- 23235A** Manual scissors, 55/56 LH.....119.95
- 23235B** Manual scissors, 57 LH.....119.95
- 23240** Roller, window regulator, 3 required per side, each2.50
- 23279** Coupler, power seat10.95
- 23318M** Spring, manual window regulator8.35
- 23318P** Spring, power window regulator8.35
- 23342A** Handle, window regulator, 55/56, includes clip.....24.95

- 23440** Coupler, power window.....11.50
- 23504** Arm, door check stop.....10.45
- 23942** Door panel (see upholstery section)
- 23943** Door panel (see upholstery section)
- 24140** Armrest, fiberglass body, RH without cover or foam69.95
- 24141** Armrest, fiberglass body, LH without cover or foam69.95
- HWK 164 Arm rest bodies to door panels (16 pcs-2 sides)2.95
- 24141A** Foam set, armrests, pair5.50
- 24141B** Foam set, armrests, adhesive backed, pair.....7.95

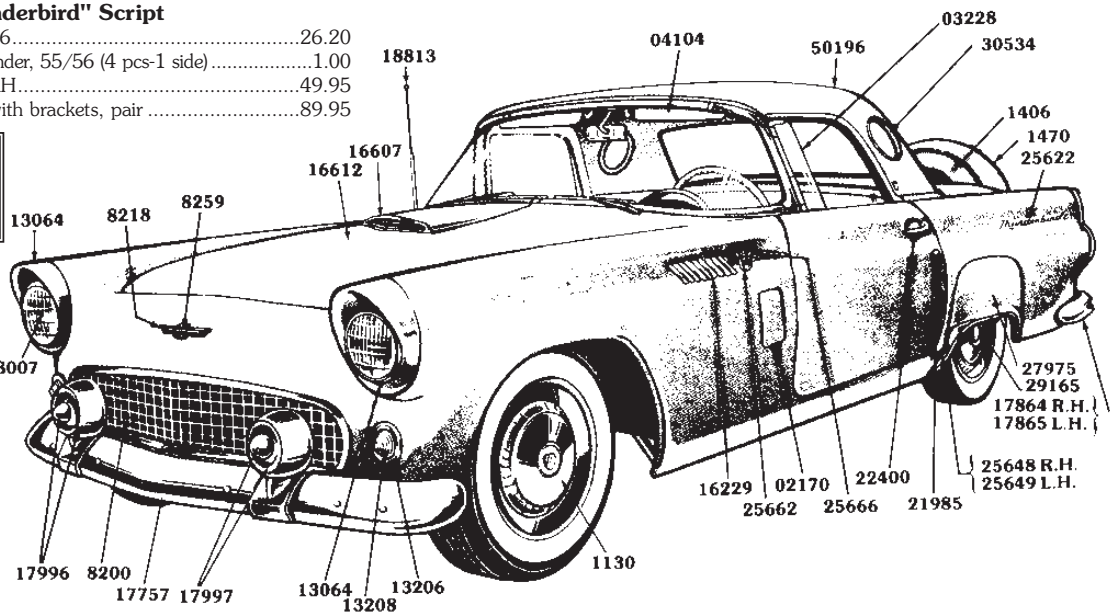
EXTERIOR TRIM



We Accept Visa, M/C, Discover and American Express

- 25622 - "Thunderbird" Script**
- 25622** Script, "Thunderbird", 55/56.....26.20
- HWK 51 Thunderbird script to rear fender, 55/56 (4 pcs-1 side).....1.00
- 25648** Stone guard with bracket, RH.....49.95
- 25648/9** Stone guards, fender skirt with brackets, pair89.95

•NOTE • Line drawings are for reference only. Only parts listed with prices are available new or rebuilt. Other parts may be available used.



EXTERIOR TRIM

- 25649 Stone guard with bracket, LH.....49.95
- 25650 Bracket, stone guard.....3.95



25662 - Medallion



25666 - Retainer

- 25662 Medallion, plastic, Ford crest, used with 25666.....18.85
- 25666 Retainer, Ford crest, used with 25662.....19.90
- HWK 52A 25666 to body, for smooth studs (2 pcs-1 side)......50
- HWK 52B 25666 to body, for threaded studs (2 pcs-1 side)......50
- 27974 Fender skirt, with seal, RH.....134.95
- 27974/5 Fender skirts, pair, with seals, less mouldings.....329.95
- 27974/5K Fender skirt kit, includes 1 each 27974, 27975, 25648, 25649, 29164, 29165, 2-27986 and 2-HWK 54.....569.95
- NOTE•• If mounting brackets are needed order 27980K

•NOTE• Line drawings are for reference only. Only parts listed with prices are available new or rebuilt. Other parts may be available used.

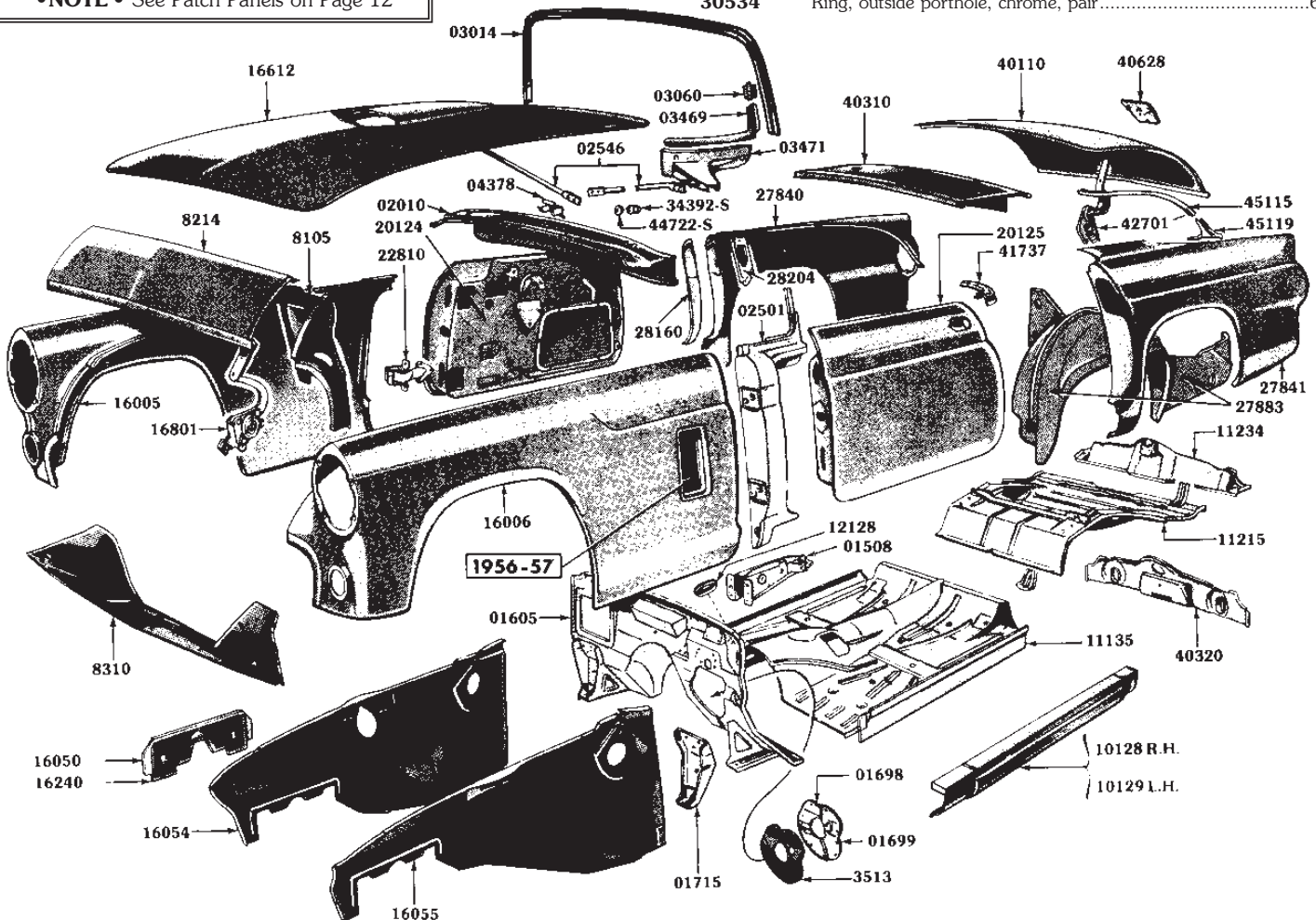


27980K - Fender Skirt Brackets

- 27980K Fender skirt brackets with screws, set of four28.50
- HWK 55 Fender skirt brackets to body (8 pcs-2 sides).....1.65
- 27986 Seal, fender skirt, rubber6.25
- HWK 244 Weatherstrip and seal staples, (50 pcs).....3.50
- HWK 139 Gas door to hinge, w/o studs (3 pcs)......75
- HWK 91 Gas door to hinge, includes studs (6 pcs).....2.65
- 29004 Ring, inside porthole, chrome, pair.....45.95
- HWK 53 Inside porthole rings to outside rings (8 pcs).....1.95
- 29164A Moulding, fender skirt, lower, RH, 55/56, skirt, w/ 7" lever.....73.50
- 29164B Moulding, fender skirt, lower, RH, 57, skirt w/ 9" lever.....73.50
- 29165A Moulding, fender skirt, lower, LH, 55/56, skirt w/ 7" lever.....73.50
- 29165B Moulding, fender skirt, lower, LH, 57, skirt w/ 9" lever.....73.50
- HWK 54 Fender skirt lower moulding to skirt (9 pcs-1 side).....1.50
- 29710C Glass, porthole, clear with FoMoCo.....15.65
- 29710T Glass, porthole, tinted with FoMoCo.....16.75
- 29904 Seal, porthole glass, rubber3.40
- 30000 Porthole installation kit, with instructions, includes all necessary parts as pictured including a new 4 bow headliner and FoMoCo glass.
- 30000AK Clear glass, white headliner.....239.95
- 30000BK Clear glass, bone headliner239.95
- 30000CK Tinted glass, white headliner.....239.95
- 30000DK Tinted glass, bone headliner.....239.95
- 30500 Spacers, porthole, fiberglass, pair99.95
- 30534 Ring, outside porthole, chrome, pair.....69.95

SHEET METAL

•NOTE• See Patch Panels on Page 12



- 31262** Tack strip, 1/4 panel cardboard, extruded vinyl, enough for both sides4.95
- 32938S** Screw, headlight bucket retaining15
- 33538** Filter, power steering pump reservoir12.50



33542A



33542B

- 33542A** Connector bolt, P/S reservoir to pump, early style.....19.80
- 33542B** Connector bolt, P/S reservoir to pump, late style19.80
- 33547** Seal, power steering can to pump1.20



33614A



33614B

- 33614A** Fitting, P/S pump high pressure, early style without seat19.95
- 33614B** Fitting, P/S pump high pressure, late style with seat19.95

- 33619S** Seal for 33725S fitting1.25
- 33725S** Fitting, P/S return line to pump, w/ crush nut & seal23.70
- 33850S** Nut, brake anchor pin75
- 33896S** Wing nut, battery bolt85
- 33943S** Nut, steering box adjusting stud75
- 33947P/S** Nut, on P/S fitting #33725.....11.50
- 34673S** Nut, 7/16", coarse, brass, manifold studs..... .60

7% - 10% Quantity Discount On \$1000 Orders! See Ordering And Shipping Policy For More Information.

TRUNK



11215B



11215C

- 11215B** Bracket, spare wheel bolt at trunk floor, 559.45
- 11215C** Support, spare wheel at trunk floor, 55.....7.30



11215D



11215D7



11215E

- 11215D** Bracket, jack retainer at trunk floor, 55/563.40
- 11215D7** Bracket, jack retainer at trunk floor, 573.40
- 11215E** Clip, jack post at wheelhouse, 55/56.....1.30
- 11290** Cover, fuel gauge on trunk floor.....10.50



13398A



13398B

Trunk Lid Bumper

- 13398A** Bumper, trunk lid, pair, 55/56 (mounts to rear panel).....6.95
- 13398B** Bumper, trunk lid, pair, 57 (mounts to trunk lid)3.25



40408/9 - Rear Deck Moulding

- 40408/9** Garnish molding, rear deck, stainless, pair.....89.95
- 40406** Clip, stainless rear deck moulding, center8.95
- 40406F** Garnish rail, rear deck, fiberglass.....135.00
- HWK 132** Back deck panel garnish mouldings (40408/9) to body (16 pcs)8.05
- HWK 139** Gas door to hinge, w/o studs (3 pcs)75
- HWK 91** Gas door to hinge, includes studs (6 pcs).....2.65
- 40628A** Gas door, aluminum, 55/5660.00



40635A



40635B

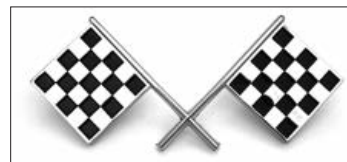
Gas Door Hinges

- 40635A** Hinge, gas door, less springs, 55/5641.15
- 40635B** Hinge, gas door, less springs, 5741.15
- HWK 115A** Gas door hinge to body, 55/56 (4 pcs).....1.95
- HWK 115B** Gas door hinge to body, 57 (3 pcs)95
- 16377A** Spring, gas door hinge, 55/563.95
- 16377B** Spring, gas door hinge, 573.95
- HWK 91** Gas door to hinge, includes studs (6 pcs).....2.65
- HWK 139** Gas door to hinge w/o studs (3 pcs)75
- 42006C** Glass, back window, clear, safety, not tempered.....295.00
- 42006T** Glass, back window, tinted, safety, not tempered.....295.00
- 42084** Weatherstrip, back window glass.....34.95
- 42143S** Screw, accelerator pedal..... .30
- 42430** Moulding, back glass, RH159.95
- 42431** Moulding, back glass, LH.....159.95
- 42450** Clip, rear window trim joining.....8.35



42530 - Handle Insert

- 42530** Plastic insert, rear deck handle, 5714.20

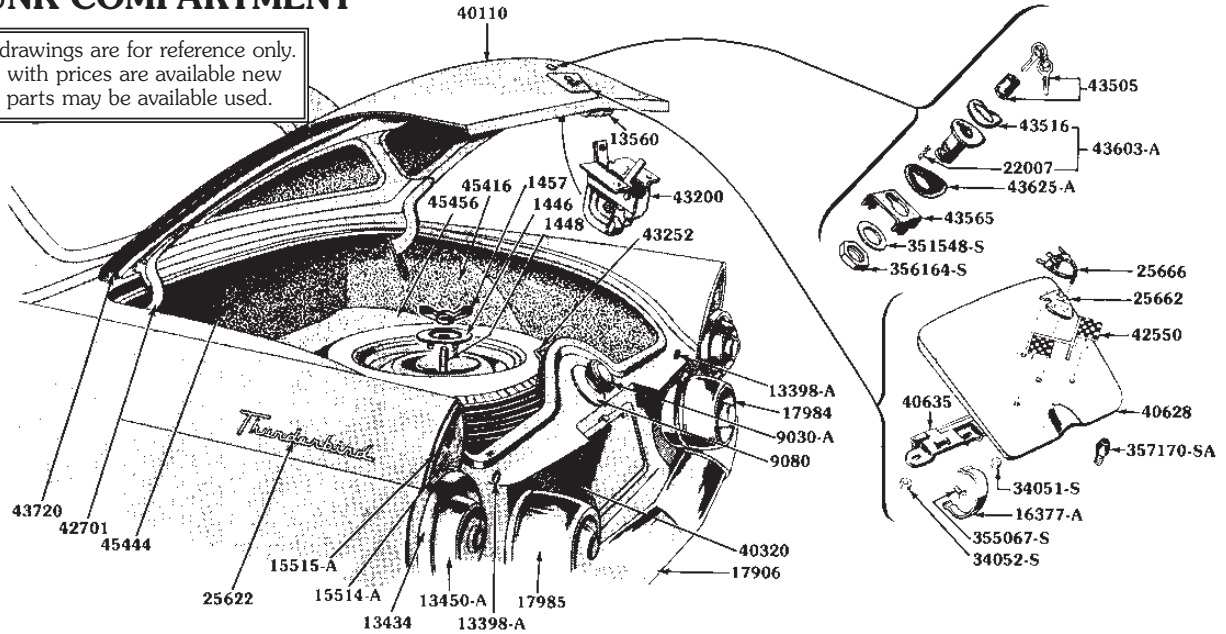


42550 - Cross Flags

- 42550** Cross flags, 5511.50
- 42701A** Spring, trunk hinge, 55/5614.95
- 42701B** Spring, trunk hinge, 576.85
- 43125** Plate, access, trunk latch, 55/5610.45
- 43226** Rod, trunk lock release, 573.10
- HWK 273** Trunk hinges to deck lid, 55/56 (12 pcs-2 sides).....1.95
- HWK 86** Trunk hinges to deck lid, 57 (4 pcs-2 sides).....1.90
- HWK 116A** Trunk lock assembly to trunk lid, 55/56 (6 pcs).....1.55
- HWK 116B** Trunk lock assembly to trunk lid, 57 (8 pcs)1.50

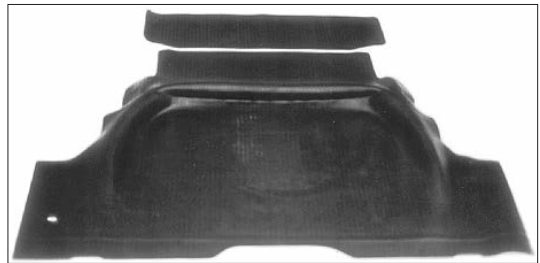
1955 TRUNK COMPARTMENT

•NOTE• Line drawings are for reference only. Only parts listed with prices are available new or rebuilt. Other parts may be available used.



43500 - Trunk Handle

- 43500 Handle, trunk 57, includes wedge washers and nuts25.95
- 43505 Cylinder & keys, trunk lock19.95



45455 - Rubber Trunk Mat

- 45455-55 Trunk mat, rubber, exact reproduction of original, 55CALL
 - 45455-56 Trunk mat & hanging curtain, rubber, used on 56's until about 6/56, exact reproduction225.00
- NOTE•• 56 rubber mat can be used on 55 - must cut hole for spare tire storage



43516A



43516B



43603A

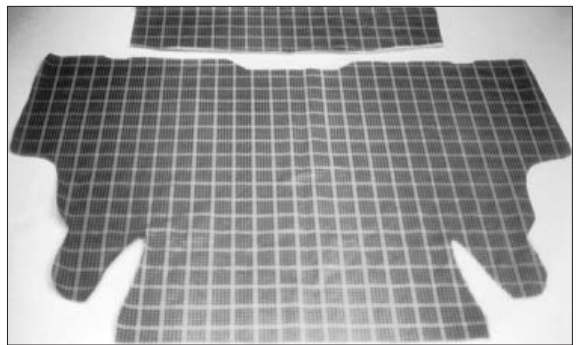


43603B

Trunk Lock Flip Lids

Trunk Lock Housings

- 43516A Flip lid only, trunk lock housing, 55/5614.95
- 43516B Flip lid only, trunk lock housing, 5714.95
- NOTE•• For spring see 22007
- 43565 Spacer, trunk lock, 577.35
- 43603A Trunk lock housing, 55/5636.95
- 43603B Trunk lock housing, 5736.95
- 43625A Pad, trunk lock sleeve & cylinder, 55/563.60
- 43625B Pad, trunk lock sleeve & cylinder, 573.50
- 43720 Weatherstrip, trunk lid21.95
- 44735S Washer, flat, 1/2"20
- 45218S Lock nut for P/S ram, 57, 3/8" - 2425
- 45219S Lock nut for P/S ram, 55/56, 7/6" - 2425



45456A - Burtex Trunk Mat Set

- 45456A Trunk mat set, simulated Burtex vinyl with padding. Easy to clean, non absorbent, fits 55 and 56, comes with curtain61.95
- TC55 Spare tire cover to match, 5529.95
- NOTE•• Storage bags to match see ACC 23
- 45457B Trunk mat set, 4 pieces, simulated Burtex vinyl with padding, includes floor mat, 2 wheel house covers & hanging curtain, zig zag stitched, as original, 5779.95
- NOTE•• Storage bags to match see ACC 23
- NOTE•• For 57 trunk well floor plug see 352285S



45415A - Trunk Side Cardboard Set

- 45415A Trunk side cardboard set, RH & LH pieces, die cut for exact fit, 55/5612.50
- 45415B Trunk side cardboard set, RH & LH pieces, die cut for exact fit, 5712.50
- HWK 275 Trunk side cardboards to body, 57 (13 pcs-2 sides)2.95
- 45444 Center trunk divider board, ready for paint, 55 only10.50
- HWK 276 Trunk divider board to body, 55 (5 pcs)1.50

- 29710C Glass, porthole, clear with FoMoCo.....15.65
- 29710T Glass, porthole, tinted with FoMoCo.....16.75
- 29904 Seal, porthole glass, rubber.....3.40



30000K - Porthole Installation Kit

- 30000 Porthole installation kit, with instructions, includes all necessary parts as pictured including a new 4 bow headliner and FoMoCo glass.
- 30000AK Clear glass, white headliner.....239.95
- 30000BK Clear glass, bone headliner.....239.95
- 30000CK Tinted glass, white headliner.....239.95
- 30000DK Tinted glass, bone headliner.....239.95
- 30500 Spacers, porthole, fiberglass, pair.....99.95
- 30534 Ring, outside porthole, chrome, pair.....69.95



50270



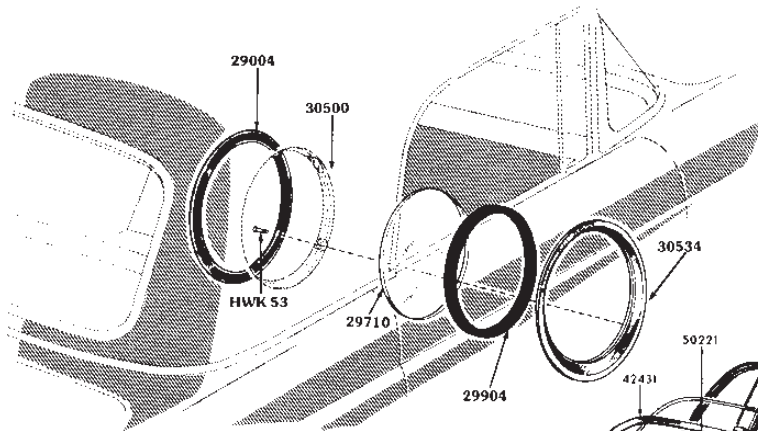
50292

Medallion

Medallion Retainer

- 50270 Medallion, non-port hard top, 57.....21.95
- 50270K Set of 4, medallion and retainer.....69.95
- 50292 Retainer, non-port medallion, chrome, 57.....14.95
- 50320-6W Spring washer for soft top rivet pins......95
- 50374 Clip, retaining, soft top header stainless, RH.....5.00
- 50375 Clip, retaining, soft top header stainless, LH.....5.00
- 50390 Clip, lower hard top stainless.....7.30
- 50396 Hard top moulding, RH rear.....115.55
- 50397 Hard top moulding, LH rear.....115.55

HARD TOP PORT HOLE WINDOW



50500A



50500C



50508A

Top Clamps

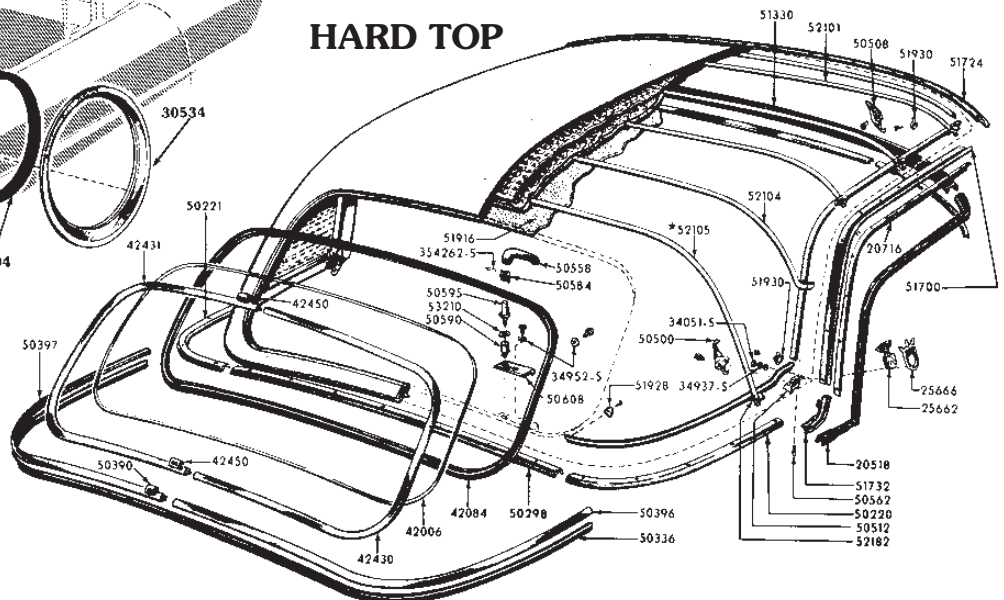
- 50500A Top clamp, side, hard & soft top, finger handle 55/56.....69.95
- 50500B Top clamp, side, hard & soft top "T" handle type, 56/57.....69.95
- 50500C Top clamp, side, late soft top with radical bend, 57.....69.95
- 50500J "J" Hook, side clamp, all years, included with clamp.....14.85
- 50502 Side deck receptacle, RH, all years.....64.95
- 50503 Side deck receptacle, LH, all years.....64.95
- HWK 112 Side clamp receptacles (50502/3) to body (12 pcs-2 sides).....2.65
- 50508A Top clamp, front, soft top, finger handle, 55/56.....69.95
- 50508B Top clamp, front, hard top, finger handle, 55/56.....69.95
- 50508C Top clamp, front, soft top "T" handle type, 56/57.....69.95
- 50508D Top clamp, front, hard top "T" handle type, 56/57.....69.95
- 50508J "J" Hook, front clamp, all years, included with clamp.....14.85
- HWK 184 Soft top front clamps to frame (8 pcs-2 clamps).....3.85
- HWK 185 Soft top side clamps to frame (4 pcs-2 clamps).....1.95
- HWK 174 Hardtop front clamps to top (4 pcs-2 clamps).....2.10
- HWK 175 Hardtop side clamps to top (4 pcs-2 clamps).....2.25
- HWK 56 Soft top clamps to top (40 pcs-all clamps).....8.95
- HWK 57 Hard top clamps to top (24 pcs-all clamps).....8.95



50530 - Clamp Cup

- 50530 Clamp cup, above windshield.....12.95
- 50534 Deck plate gaskets, pair.....1.40
- HWK 111A Rear top clamp receptacles (50552/3) to rear deck (10 pcs-2 sides).....3.05
- HWK 111B Rear top clamp receptacles (50552/3) to rear deck includes studs (12 pcs-2 sides).....4.65
- 50540S Screw, exhaust deflector, 57.....1.40

HARD TOP



•NOTE • Line drawings are for reference only. Only parts listed with prices are available new or rebuilt. Other parts may be available used.



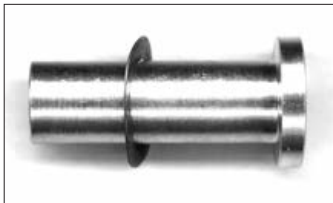
50552/3A



50552/3C

Rear Deck Receptacles

50552A	Rear deck receptacle, RH, with studs, 55.....	42.95
50552B	Rear deck receptacle, RH, with studs, 56.....	42.95
50552C	Rear deck receptacle, RH, with studs, 57.....	42.95
50553A	Rear deck receptacle, LH, with studs, 55.....	42.95
50553B	Rear deck receptacle, LH, with studs, 56.....	42.95
50553C	Rear deck receptacle, LH, with studs, 57.....	42.95
•HWK 111A	Rear top clamp receptacles (50552/3) to rear deck (10 pcs-2 sides).....	3.05
•HWK 111B	Rear top clamp receptacles (50552/3) to rear deck, includes studs (12 pcs-2 sides).....	4.65
50558A	Lever, rear clamp, RH, soft & hard top, "dog-leg" type 55/56.....	34.95
50558B	Lever, rear clamp, RH, soft & hard top, late 56/57, "straight" handle.....	34.95
50559A	Lever, rear clamp, LH, soft & hard top, "dog-leg" type, 55/56.....	34.95
50559B	Lever, rear clamp, LH, soft & hard top, late 56/57, "straight" handle.....	34.95
50562	Pin, side, top.....	11.30
50584	Spring, rear clamp, RH.....	3.95
50585	Spring, rear clamp, LH.....	3.95
50590A	Fastener, hard & soft top bullet, 55.....	13.95
50590B	Fastener, hard & soft top bullet, 56 thru May of 56.....	13.95
50590C	Fastener, hard & soft top bullet, after May 56 thru 57.....	13.95
50595B	Stud, rear clamp lever, 55/57.....	10.95
50608	Plate, rear clamp ass'y., RH.....	23.65
50609	Plate, rear clamp ass'y., LH.....	23.65
•HWK 176	Hard top rear clamp plates to top (16 pcs-2 sides).....	3.85
•HWK 186	Soft top rear clamp plates to frame (8 pcs-2 sides).....	3.25
•HWK 58	Chrome soft top rivet pins with clips (18 pcs-2 sides) (12 pcs).....	29.95
•HWK 177	Soft top front header center casting to end castings (16 pcs-2 sides).....	2.10
•HWK 178	Soft top front header casting to front side rails (16 pcs-2 sides).....	5.25

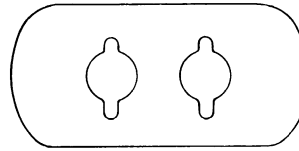


51374S Sleeve
51374W Washer

••NOTE•• All soft tops late 55 and newer require
2-51374S & 2-51374W

**REAR TOP CLAMP RECEPTACLES,
BULLETS & STUDS**

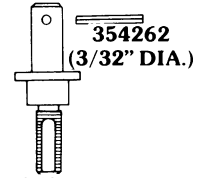
ALL 1955



50552-A R.H.
50553-A L.H.

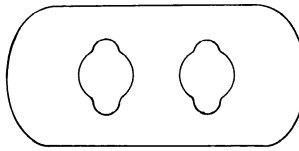


50590-A

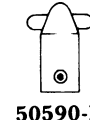


50595-B

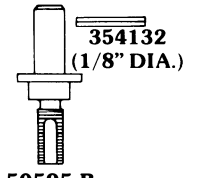
1956 TO MAY 1, 1956



50552-B R.H.
50553-B L.H.

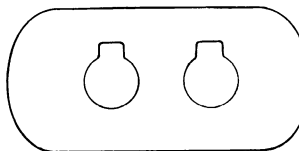


50590-B

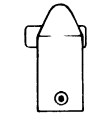


50595-B

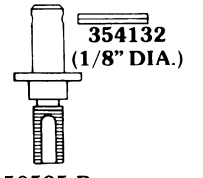
1956 FROM MAY 2, 1956 THRU 1957



50552-C R.H.
50553-C L.H.



50590-C



50595-B

•HWK 179	Soft top bows to side center rails (16 pcs-2 sides).....	5.25
•HWK 180	Soft top webbing plates to number 2 bow (4 pcs-2 sides).....	.95
•HWK 181	Soft top front stainless trim to frame (20 pcs).....	9.50
•HWK 182	Soft top outside wire-on tips to top (4 pcs-2 sides).....	1.00
•HWK 59B	Early soft top frame kit: includes chrome pins, bolts, nuts, washers, acorn nuts and sleeves. Does not include HWK 56, HWK 58, HWK 62, HWK 66 or HWK 68 (82 pcs-2 sides).....	59.95
•HWK 60B	Late soft top frame kit: Kit includes chrome pins, bolts, nuts, washers, acorn nuts and sleeves. Does not include HWK 56, HWK 58, HWK 62, HWK 66 or HWK 68 (94 pcs-2 sides).....	74.95
51000K	Hard top moulding Set, 8 pcs.....	577.80
51276	Plates, retaining, soft top webbing straps to #2 bow, with screws, pair.....	4.95
51278	Tack strip with retainer, soft top, rear bow, repl. type.....	29.95
51278A	Tack strip, extruded vinyl, soft top.....	17.80
•HWK 62	Soft top rear bow tack strip to frame (90 pcs).....	7.75
51278B	Tack strip, extruded vinyl, hard top.....	16.75
51278C	Tack strip, moulded aluminum, soft top.....	149.50
•HWK 63	Hard top tack strip to top (45 pcs).....	7.75
51340A	Soft top front tack strip repair kit.....	34.95
51340B	Soft top ass'y., complete, reproduction, partial conduit construction, with vinyl cover installed.....	2295.00
51340C	Soft top ass'y., complete, reproduction, partial conduit construction, with canvas cover installed.....	2595.00
••NOTE••	Does not include swing bar, feet or stainless steel header trim.	
••NOTE••	2 special bolts (51360D) needed to install swing bar.....	40.00
51360A	Swingarm bar, soft top, without feet.....	349.00
51360B	Swingarm bar, soft top, with feet.....	475.00
51374S	Sleeve, soft top frame at swing arm.....	5.25
51374W	Washer for soft top frame sleeve (51374).....	.95
51390B	Soft top header trim, 1 piece.....	219.95
51390C	Stainless steel header trim for reproduction top, must be purchased with the top, installed.....	525.00
•HWK 181	Soft top front stainless trim to frame (20 pcs).....	9.50
51396S	Eyebolt, soft top swingarm.....	2.95

HARD TOP WEATHERSTRIPS

1955 & Early 1956 STYLE WEATHERSTRIPS

51330A	Front header, 43-1/2" long	88.95
20518	Over door glass, cloth covered, RH	102.95
20519	Over door glass, cloth covered, LH	102.95
50220	Curved on rear deck, RH	42.95
50221	Curved on rear deck, LH	42.95
50298	Rear deck, center	42.95
50336	Rain seal, fits into stainless below rear window	14.95
51500K	Complete set of 7 weatherstrips	394.95
•HWK 64	Hard top weatherstrip to top (47 pcs)	7.95
•HWK 65	Hard top stainless trim to top (20 pcs)	2.95

••NOTE•• See page 77 and 78 for other hard top hardware kits.

LATE 1956 & 1957 STYLE WEATHERSTRIPS

51330B	Front header, 54" long	88.95
51222	Over door glass, RH	99.95
51223	Over door glass, LH	99.95
50220	Curved on rear deck, RH	42.95
50221	Curved on rear deck, LH	42.95
50298	Rear deck, center	42.95
50336	Rain seal, fits into stainless below rear window	14.95
51501K	Complete set of 7 weatherstrips	394.95
•HWK 64	Hard top weatherstrip to top (47 pcs)	7.95
•HWK 65	Hard top stainless trim to top (20 pcs)	2.95

••NOTE•• See page 77 and 78 for other hard top hardware kits.

SOFT TOP WEATHERSTRIPS

51330A	Front header, 43-1/2" long	88.95
51562	Over door glass, front, RH, with T-Bolts	32.95
51563	Over door glass, front, LH, with T-Bolts	32.95
51564	Over door glass, center, RH, with T-Bolts	32.95
51565	Over door glass, center, LH, with T-Bolts	32.95
51566	Over door glass, rear, RH, with T-Bolts	32.95
51567	Over door glass, rear, LH, with T-Bolts	32.95
51442	Rear deck, center	46.95
51444	Curved on rear deck, RH	46.95
51445	Curved on rear deck, LH	46.95
51502K	Complete set of 10 weatherstrips	394.95
51562/7K	Set of 6 pcs over door glass with T-Bolts	197.75
•HWK 66A	Soft top w/strip to frame with T-Bolts (96 pcs-2 sides)	17.95
•HWK 66B	Soft top w/strip to frame w/o T-Bolts (84 pcs-2 sides)	11.95

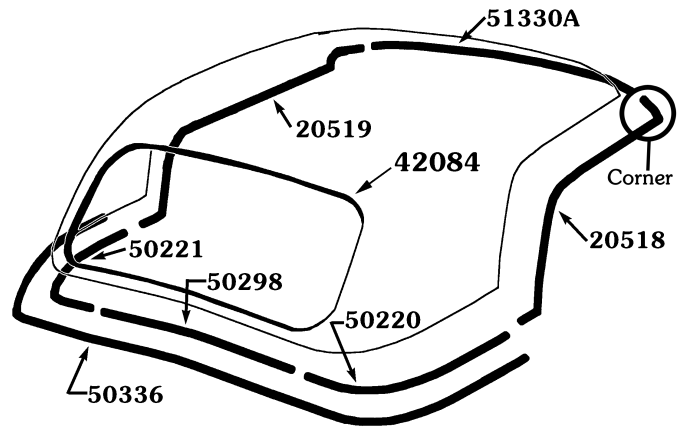
••NOTE•• See pages 77 and 78 for other soft top hardware kits.

HARD TOP HEADLINERS

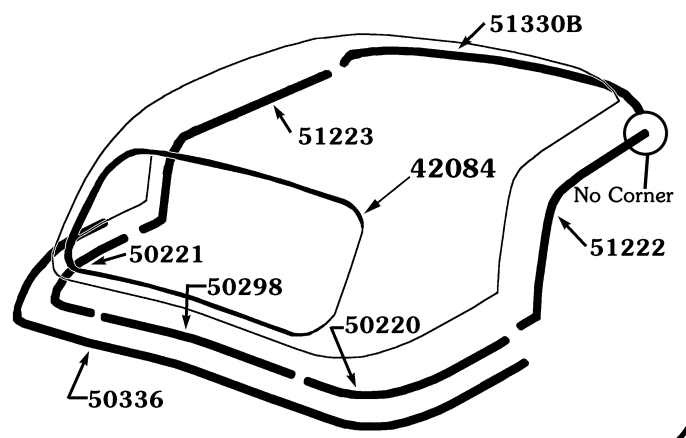
We offer both the bone (off-white) headliner, as original, or the pure white headliner. Both come with original style, crush finish wire-on.

HL4B	4 Bow bone	47.80
HL4W	4 Bow white	47.80
HL5B	5 Bow bone	47.80
HL5W	5 Bow white	47.80
HLWRB	Headliner wire-on only, original crush finish, bone	9.95
HLWRW	Headliner wire-on only, original crush finish, white	9.95
•HWK 67	Hard top wire-on trim to top (6 pcs)	1.20
51928R	End, headliner wire-on border trim, exact reproduction, each (2 req'd) ..	5.95
51930	Corner, headliner wire-on border trim, stainless, each (4 req'd)	7.95

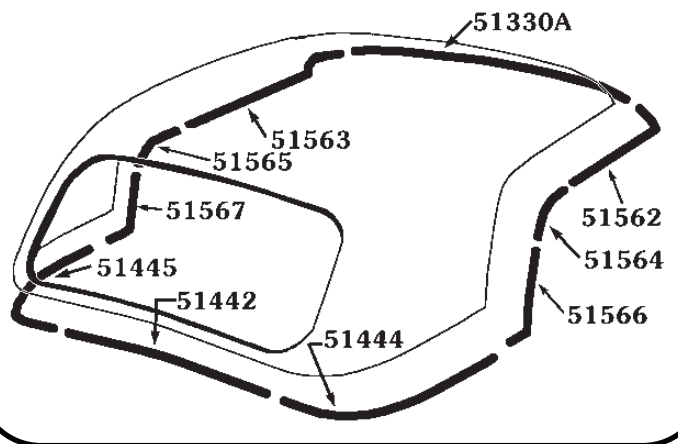
1955 TO EARLY 1956 HARD TOP WEATHERSTRIPPING



LATE 1956 TO 1957 HARD TOP WEATHERSTRIPPING



SOFT TOP WEATHERSTRIPPING



We offer the BEST and MOST COMPLETE line of soft top recovering kits available anywhere. All kits include the top covering, rear window assembly, windlace strips, wire-on strip, replacement style webbing straps, bow cover for #2 bow and window straps.

TYPES OF MATERIAL

Black vinyl/black underside	235.00
White vinyl/black underside	235.00
All other vinyl colors	275.00
All Haartz Sta-Fast canvas	450.00

Available Vinyl

White vinyl/black underside
Black vinyl/black underside
Dark brown vinyl/black underside
Black vinyl/black underside
Dark blue vinyl/black underside
Maroon vinyl/black underside

Available Haartz Sta-Fast

Black canvas/tan underside
Black canvas/black underside
Dark blue canvas/tan underside
Tan canvas/tan underside
Tan canvas/black underside

••NOTE•• Recovering kits will not fit aftermarket tops - designed for original frames only.

MATERIALS AVAILABLE

Vinyl tops: This is the most practical top material of all. It is very durable and washable.

Haartz Sta-Fast Canvas: This the BEST canvas money can buy. It is fade resistant and has a silky sheen to it much like the original canvas tops. All top "show cars" use this canvas material.

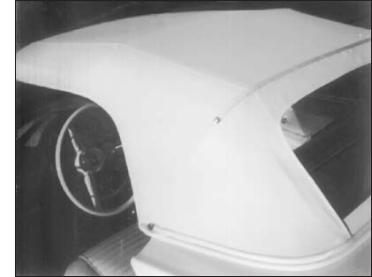
Back Window Styles Available

- 211 Horseshoe zipper (zipper on 3 sides). Not stock by concour standards but certainly the most practical.
- 212 Straight across the top zipper with flaps on both sides of the rear window, as original for 1956-1957.
- 213 Completely sewn in rear window (no zipper at all) as original for the 1955.

Samples available upon request.

• In stock for immediate delivery in the 211 style. All other colors and rear window styles will be special ordered. We request full payment in advance on special order recovering kits. Please allow 3 to 4 weeks for delivery.

* Original for all years.



SEAT PARTS



60477A

Power Seat Worm Gear Tube



23279

Power Seat Coupler



61755

Adjusting Knob



61828

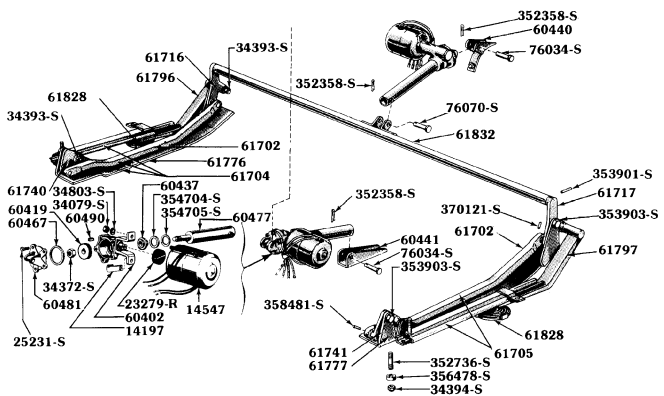
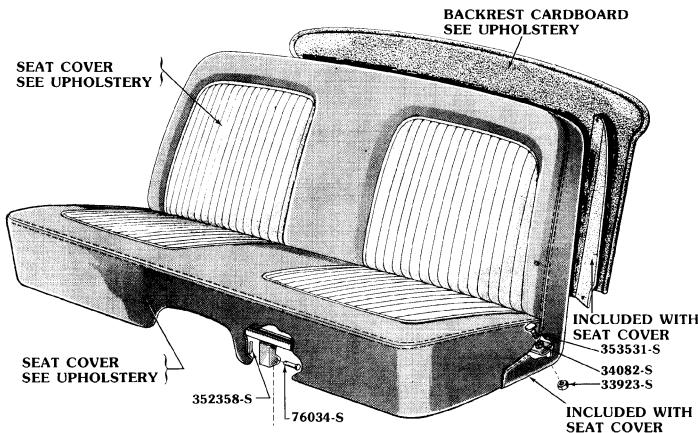
Assist Spring

23279	Coupler, power seat	10.95
60477A	Tube kit, power seat worm gear. Consists of plastic tube, cardboard spacer and scissor type clamp.....	11.95
•HWK 97	Power seat drive clevis pins & clips (8 pcs-2 motors).....	3.85
•HWK 161	Power seat drive brackets to floor (8 pcs).....	1.95
61062	Seat stop pad,	pair ..8.00
61489S	Distributor pin.....	.30

61755	Adjusting knob, manual seat, black plastic.....	14.95
61828	Spring, power seat assist, 2 req'd.....	5.75
62190	Cable & housing, manual seat release	19.95
62198	Bezel, manual seat at adjusting lever	8.35
74151S	Woodruff key, crankshaft pulley.....	1.75
74171S	P/S pump to pulley square key.....	1.00
76001A	Pin, door stop lever, with clip	3.95
76001B	Pin, door stop lever, as original	6.95
77619A	Spring, F/M shifter button.....	2.10
77619	Button, F/M shifter, chrome, with screw	20.90
77635	Spring, F/M shifter ball	3.95

••NOTE•• For Fordomatic shifter ball see 7213B

•NOTE• Line drawings are for reference only.





- 87211S** Connector, brass, brake line.....1.95
- 87213S** Connector, brass, fuel line.....2.25
- 87479S** Connector T, brass, dual carbs5.70
- 17758S** Bumper bolt, replacement.....1.25
- 17758XS** Bumper bolt, show quality2.25



- 87907S** Fitting, lube, 1/4" straight60
- 87924S** Fitting, lube, 1/4" 90 degree1.00



- 87945S** Adapter fitting, brake booster line 55 & 57.....4.95
- 87972S** Fitting, fuel filter and fuel pump2.95



- 88413S** Manifold stud, short.....1.95
- 89447S** F/M shifter button set screw.....2.50



- 95806S** Clip, gas line to frame, 4 req3.50



- 351062S** Nut, clutch adjusting rod.....2.95
- 351112S** Fitting, dist. vacuum line.....1.75
- 351153S** Nut, sector shaft, steering2.50
- 351385S** Washer, 3/8", extra thick for exhaust manifold bolts.....1.15



- 351467S** Washer, rear brake, spring type30
- 351548S** Washer, trunk lock sleeve.....1.00
- 351757S** Bolt, steering column.....3.95
- 351789S** Gasket, pr. steering high pressure fitting, 55/56, early 572.75



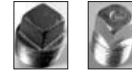
- 351791S** Banjo fitting, P/S pressure outlet, early style.....18.10
- 351792S** Bolt, P/S pressure outlet, early style19.95
- 352222S** T-Bolt, soft top weatherstrip, 12 req'd.....each...1.00
- 352284S** Floor plug, 1-1/4".....1.30
- 352285S** Floor plug, 1-1/2".....1.50



- 352358S** Clip, clevis pin, on power seat & spare tire bolt45
- 352736S** Seat frame to floor pan stud, each3.10
- 352962S** Grommet, tachometer cable.....2.05
- 352963S** Grommet, wiper vacuum hose1.50



- 352999SR** Wire clip, engine compartment, original style.....2.75



- 353051S** Plug, differential filler.....2.60
- 353055S** Plug, gas tank2.20



- 353376S** Tee, vacuum hose7.95
- 353531S** Seat back stop and adjuster bolt, each.....4.50
- 353547S** Clip, temp. wire to head, plain.....1.05



- 353577S** Barrel nut, to retain #16098 & #25622 Thunderbird script30
- 353624S** Screw, tail lamp lens, 55 1.05
- 353706S** Brass fitting, power brake booster5.95
- 353766S** Retainer clip, P/S reservoir lid, spring and washer85
- 353846S** Power steering pulley washer2.95
- 354125S** Grommet, hood cable.....2.95



- 354126S** Bolt, power steering bracket to water pump.....14.95
- 354132S** Roll pin, soft top, steel, 1/8"40
- 354169S** Pin, chrome, soft top, small head, 3/4" shaft5.25
- 354170S** Pin, chrome, soft top, large head, 1 1/4" shaft6.25



- 354171S** Pin, chrome, soft top, medium head, 2 3/8", shaft.....6.25
- 354193S** Washer, P/S pump, 3 pcs, set8.95
- 354262** Roll pin, soft top, steel, 3/32"50
- 354284S** Clip, main wiring at LH scoop, 55.....1.55
- 354304S** Soft top screw......65



- 354446-S** Brass block, front brake line.....64.95



354447SB



354447SC



354465S

- 354447SA** Vacuum block, brass, intake manifold, 5530.95
- 354447SB** Vacuum block, brass, intake manifold, 5631.95
- 354447SC** Vacuum block, brass, intake manifold, 5731.95
- 354465S** Wire clip, crossover wire in front of radiator, 2 req'd1.95
- 354573S** Spindle nut, front.....3.95
- 354577S** See #6582A
- 354580S** 3/8" x 3 3/4" bolt, P/S/ pump front bracket2.95



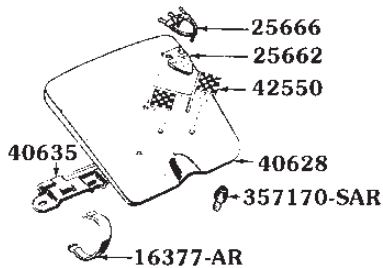
- 354668A** Bolt, P/S reservoir lid, early style 2-1/2"6.95
- 354668B** Bolt, P/S reservoir lid, late style 3-1/2"6.95



- 354690S** Screw, back-up light lens, 551.25
- 354721S** Rear spring center bolt3.95
- 354746S** Screw, park lamp, 55/5675
- 354798S** Screw, tail light, 5695
- 354899S** Screw, park lamp and tail lamp, 5795
- 354926S** Retainer nut, exhaust deflector, 572.25
- 355768S** Retainer nut, headlight bucket, RE40
- 356094S** Nut, w/sh. wiper transmission5.00
- 356098S** Nut, radio mounting1.20
- 356164S** Nut, trunk lock sleeve.....1.50
- 356214S** Washer, for soft top pins, (354170S + 357412S)95



- 356600S** Washer, spring type for soft top pins, (354169-S)..... .95
- 356640** Wiring clip, at radiator shroud.....1.30
- 357000S** J-Nut, body to frame, 10 required.....3.50
- 357001S** Washer, formed, body bolt, 55/56.....1.20
- 357002S** Washer, flat, body bolt, 5795
- 357003S** Body shim, thick, square with hole1.65
- 357004S** Body shim, thin, U shaped.....1.35



- 357170SA** Gas door bumper, 55/56, pair3.55
- 357170SB** Gas door bumper, 57, pair3.45



- 357227S** Nut with retainer, 1/4" - 2045
- 357331S** Clip, brake line at frame, 3 req2.50
- 357412S** Pin, chrome, soft top, medium head 1 1/8" long shaft5.95



- 357466S** Fitting, brass, fuel pump.....3.95
- 357550S** Clip, door handle retaining35
- 357811S** Rubber bumper, heater box defroster flapper door1.35



- 358032S** Fitting, 90 degree, manual steering bushings..... .75
- 358048S** Plug, differential drain.....2.50
- 358349S** Clip, brake line to differential, 55/562.90



- 358575S** Retainer clip, door panel35
- 359096S** Bumper bolt for bumper guard and con't kit, 55/56 2.95
- 359279S** Adapter fitting, trans. cooler line to radiator, 2 req'd.....2.95
- 359280S** Transmission line clip on engine7.80
- 360002S** Connector and sleeve, 2 way plug in2.75

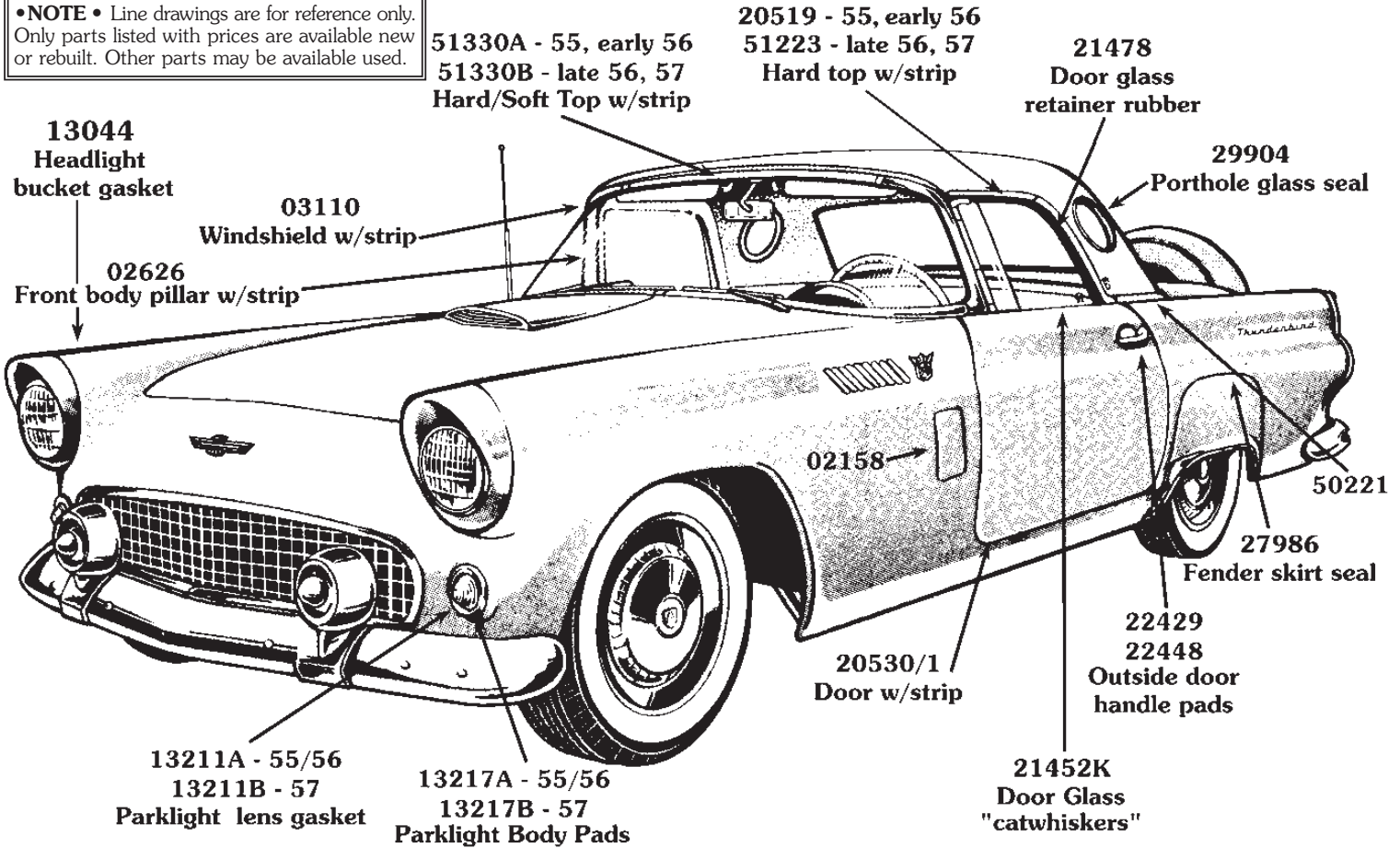


- 370322S** O ring, gas filler neck to tank, 571.60
- 371426S** Cylinder head freeze plug, 55 292, each2.75
- 371773S** Bolt, carb. to air cleaner, RE.....3.35



- 372895S** Tube seat, power steering ram, 576.00
- 372896S** Tube seat, power steering ram, 55/566.75
- 376301S** Plug, extra engine dip stick tube hole1.40
- 379001S** Stud, gas door......35
- 379002S** Stud, hood scoop35
- 379003S** Stud, vent door45
- 379004S** Stud, rear clamp receptacle......75
- 384345S** Adj. screw, rear door glass run.....5.20
- 700045A** Grommet, battery hold down, set of 21.60
- 700045B** Grommet, battery hold down, set of 32.40

•NOTE • Line drawings are for reference only. Only parts listed with prices are available new or rebuilt. Other parts may be available used.



1955 SEALS, GASKETS, & WEATHERSTRIPPING

3512	Steering column grommet	8.20	15533B	Pad, back up lamp body, use with block off plates, each	3.10
3513A	Steering column seal, F/M	4.50	16240	Seal, front fender apron shield, each	4.05
3513B	Steering column seal, S/T	4.50	16254	Weatherstrip, front fender apron to frame, rear, pair	3.10
3683B	Insulator, steering column bracket, at dash, white	4.15	16740A	Hood pad	4.95
5008K	Bumper and clip kit, frame to body insulators, consists of 10 bumpers and 10 clips	19.95	17541	Washer, windshield wiper arm to pivot shaft, leather	1.00
9080	Grommet, fuel tank filler neck	7.95	17696E	Gasket, outside mirror, rubber	5.60
01605C	Firewall grommet set, 6 pcs.	14.50	18919A	Pad, antenna mounting	2.50
02626	Weatherstrip, front body pillar, RH	19.95	20330	Weatherstrip, door pillar, each	2.50
02627	Weatherstrip, front body pillar, LH	19.95	20530	Weatherstrip, door, RH	31.50
03110	Weatherstrip, windshield	62.95	20531	Weatherstrip, door, LH	31.50
06066	Bumper and grommet set, glove box door	3.50	20570	Weatherstrip, door at belt, each	2.95
11135AK	Kit, floor and cowl plugs, set of 10	14.50	21452K	Kit, door glass "catwhiskers", with clips	21.95
11136K	Kit, 1/4 panel drain plugs, 4 pcs.	5.45	21999	Grommet, door lock knob, each	1.00
12128	Plug, floor access hole	11.50	22058	Shim, striker plate, each	95
12170	Gasket, FM adj. plate/governor access plate	1.35	22428/9K	Outside door handle pads, set of 4	3.80
13044	Gasket, headlight bucket to fender, each	2.95	27986	Seal, fender skirt, rubber, each	6.25
13211A	Gasket, parking lamp lens, each	1.50	29904	Seal, porthole glass, rubber, each	3.40
13217A	Gasket, parking lamp body, each	4.05	42084	Weatherstrip, back window glass	34.95
13398A	Bumper, trunk lid, pair	6.95	43625A	Pad, trunk lock housing	3.60
13420A	Pad, tail light mounting, each	4.95	43720	Weatherstrip, trunk lid	21.95
13461A	Gasket, tail light lens, each	2.50	50534	Deck plate gaskets, pair	1.40
13568A	Gasket, license light lens	1.50	51500K	Hard top weatherstrip kit, set	394.95
14651	Grommet, inner apron wiring hole, each	3.25	51502K	Soft top weatherstrip kit, set	394.95
15510A	Gasket, back up light lens, each	1.50	357170SA	Gas door bumpers, pair	3.45
15533A	Pad, back up lamp body, with back up lights, each	2.55			

1956 SEALS, GASKETS, & WEATHERSTRIPPING

1352A	Seal set, spare wheel stone guard.....	16.75	15510B	Gasket, back up light lens, each.....	1.50
1354A	Grommet set, spare wheel hinge.....	9.40	15533C	Pad, back up lamp body, each.....	2.00
1455	Bumper, Con't kit hinge.....	4.95	16102A	Splash shield seal, each.....	4.15
3512	Steering column grommet.....	8.20	16240	Seal, front fender apron shield, each.....	4.05
3513A	Steering column seal, F/M.....	4.50	16254	Weatherstrip, front fender apron to frame, rear, pair.....	3.10
3513B	Steering column seal, S/T.....	4.50	16740B	Hood pad.....	4.95
3683A	Insulator, steering column bracket, at dash, black.....	4.15	16758A	Bumper, hood, set of 4 with screws, 56.....	5.20
5008K	Bumper and clip kit, frame to body insulators, consists of 10 bumpers and 10 clips.....	19.95	17541	Washer, windshield wiper arm to pivot shaft, leather.....	1.00
9080	Grommet, fuel tank filler neck.....	7.95	17696E	Gasket, outside mirror, rubber.....	5.60
01605C	Firewall grommet set, 6 pcs.....	14.50	17808A	Deflector, rear bumper stone, 56, 2 req'd each.....	3.60
02158	Seal, vent door, each.....	8.95	18919A	Pad, antenna mounting.....	2.50
02626	Weatherstrip, front body pillar, RH.....	19.95	20330	Weatherstrip, door pillar, each.....	2.50
02627	Weatherstrip, front body pillar, LH.....	19.95	20530	Weatherstrip, door, RH.....	31.50
03110	Weatherstrip, windshield.....	62.95	20531	Weatherstrip, door, LH.....	31.50
06066	Bumper and grommet set, glove box door.....	3.50	20570	Weatherstrip, door at belt, each.....	2.95
11135AK	Kit, floor and cowl plugs, set of 10.....	14.50	21452K	Kit, door glass "catwhiskers", with clips.....	21.95
11136K	Kit, 1/4 panel drain plugs, 4 pcs.....	5.45	21999	Grommet, door lock knob, each.....	1.00
12128	Plug, floor access hole.....	11.50	22058	Shim, striker plate, each.....	.95
12170	Gasket, FM adj. plate/governor access plate.....	1.35	22428/9K	Outside door handle pads, set of 4.....	3.80
13044	Gasket, headlite bucket to fender, each.....	2.95	27986	Seal, fender skirt, rubber, each.....	6.25
13211A	Gasket, parking lamp lens, each.....	1.50	29904	Seal, porthole glass, rubber, each.....	3.40
13217A	Gasket, parking lamp body, each.....	4.05	42084	Weatherstrip, back window glass.....	34.95
13398A	Bumper, trunk lid, pair.....	6.95	43625A	Pad, trunk lock housing.....	3.60
13420A	Pad, tail light mounting, each.....	4.95	43720	Weatherstrip, trunk lid.....	21.95
13461B	Gasket, tail light lens, each.....	2.50	50534	Deck plate gaskets, pair.....	1.40
13568A	Gasket, license light lens.....	1.50	51500K	Hard top weatherstrip kit, set.....	394.95
14651	Grommet, inner apron wiring hole, each.....	3.25	51502K	Soft top weatherstrip kit, set.....	394.95
			357170SA	Gas door bumpers, pair.....	3.45

1957 SEALS, GASKETS, & WEATHERSTRIPPING

3512	Steering column grommet.....	8.20	16240	Seal, front fender apron shield, each.....	4.05
3513A	Steering column seal, F/M.....	4.50	16254	Weatherstrip, front fender apron to frame, rear, pair.....	3.10
3513B	Steering column seal, S/T.....	4.50	16740B	Hood pad.....	4.95
3683A	Insulator, steering column bracket, at dash, black.....	4.15	16758B	Bumper, hood, set of 4 with screws, 57.....	5.20
5008K	Bumper and clip kit, frame to body insulators, consists of 10 bumpers and 10 clips.....	19.95	17541	Washer, windshield wiper arm to pivot shaft, leather.....	1.00
01605C	Firewall grommet set, 6 pcs.....	14.50	17696E	Gasket, outside mirror, rubber.....	5.60
02158	Seal, vent door, each.....	8.95	17808B	Deflector, rear bumper stone, 57.....	11.50
02626	Weatherstrip, front body pillar, RH.....	19.95	18919A	Pad, antenna mounting.....	2.50
02627	Weatherstrip, front body pillar, LH.....	19.95	20330	Weatherstrip, door pillar, each.....	2.50
03110	Weatherstrip, windshield.....	62.95	20530	Weatherstrip, door, RH.....	31.50
06066	Bumper and grommet set, glove box door.....	3.50	20531	Weatherstrip, door, LH.....	31.50
11135BK	Kit, floor and cowl plugs, set of 11.....	15.50	20570	Weatherstrip, door at belt, each.....	2.95
11136K	Kit, 1/4 panel drain plugs, 4 pcs.....	5.45	21452K	Kit, door glass "catwhiskers", with clips.....	21.95
12128	Plug, floor access hole.....	11.50	21999	Grommet, door lock knob, each.....	1.00
12170	Gasket, FM adj. plate/governor access plate.....	1.35	22058	Shim, striker plate, each.....	.95
13044	Gasket, headlite bucket to fender, each.....	2.95	22428/9K	Outside door handle pads, set of 4.....	3.80
13211B	Gasket, parking lamp lens, each.....	3.00	27986	Seal, fender skirt, rubber, each.....	6.25
13217B	Gasket, parking lamp body, each.....	2.05	29904	Seal, porthole glass, rubber, each.....	3.40
13398B	Bumper, trunk lid, pair.....	3.25	42084	Weatherstrip, back window glass.....	34.95
13420B	Pad, tail light mounting, each.....	2.80	43625B	Pad, trunk lock housing.....	3.50
13461C	Gasket, tail light lens, each.....	2.55	43720	Weatherstrip, trunk lid.....	21.95
13568B	Gasket, license light lens.....	1.50	50534	Deck plate gaskets, pair.....	1.40
14651	Grommet, inner apron wiring hole, each.....	3.25	51501K	Hard top weatherstrip kit, set.....	394.95
16102A	Splash shield seal, each.....	4.15	51502K	Soft top weatherstrip kit, set.....	394.95
			357170SB	Gas door bumpers, pair.....	3.45

GRILL KITS

HWK 125A	Grill Kit; grill to body & lower moulding (8156), lower moulding to front valance (17779), front valance to deflector panel (8310), front fenders and rear deflector panels (8104/5), and deflector panel access plate (8311) to deflector panel. Illustrated instructions included, 55/56 (138 pcs).....	17.95
HWK 125B	Grill Kit: grill to body and front chrome valance (17202), chrome valance to deflector panel (8310), deflector panel to rear deflectors (8104/5), chrome valance to ends (17198/9), ends to fenders, deflector access plate (8311) to deflector panel. Illustrated instructions included, 57 (130 pcs).....	17.95
HWK 126	Round access plate (8311) to deflector panel (8310) (3 pcs).....	.75
HWK 127A	Upper grill moulding (8419A) to body, 55/56 (18 pcs).....	5.95
HWK 127B	Upper grill moulding (8419B) to body, 57 (18 pcs).....	6.95
HWK 80	Grill corner mouldings (8242/3) to grill (6 pcs).....	1.25
HWK 128	Side grill mouldings to body with clips (10 pcs-2 sides).....	3.30
HWK 5A	8200A to 8156, 55/56 (24 pcs).....	5.50
HWK 5B	17779 to 8156, 55/56 (24 pcs).....	5.50

EXTERIOR KITS

HWK 6	Nose panel emblem (8259) to body, 56/57 (2 pcs).....	.75
HWK 52	Ford crest medallion to body, 55/56 (2 pcs-1 side).....	.50
HWK 129	V-8 emblems to fenders (4 pcs-2 sides).....	1.15
HWK 28	Thunderbird script to fender, 57 (5 pcs-1 side).....	1.35
HWK 29	Thunderbird script to fender, orig. style clips, 57 (5 pcs-1 side).....	1.25
HWK 30	Hashmark chevron (16228/9) to fender (6 pcs-1 side).....	1.25
HWK 113A	Cowl vent doors to hinges & hinges to body (16 pcs-2 sides).....	1.75
HWK 113B	Cowl vent doors to hinges & hinges to body, includes studs (20 pcs-2 sides).....	4.95
HWK 51	Thunderbird script to rear fender, 55/56 (4 pcs-1 side).....	1.00
HWK 31A	Hood scoop grill to hood (8 pcs).....	6.95
HWK 31B	Hood scoop grill to hood, includes studs (12 pcs).....	9.95
HWK 100	Windshield washer jets to cowl (4 pcs-2 sides).....	.95
HWK 8	W/shield pillar w/strip (02626) to w/shield posts (8 pcs-2 sides).....	1.75
HWK 131	Outside side windshield mouldings (03136/7) to windshield frame (12 pcs-2 sides).....	1.95
HWK 10	Lower window hinges to door glass (8 pcs-2 sides).....	1.45
HWK 54	Fenderskirt lower moulding to skirt (9 pcs-1 side).....	1.50
HWK 55	Fenderskirt brackets to body (8 pcs-2 sides).....	1.65
HWK 33	Outside mirror to door, 55 (4 pcs).....	.75
HWK 34	Outside mirror to door, 56/57 (2 pcs).....	.75
HWK 112	Side clamp receptacles (50502/3) to body (12 pcs-2 sides).....	2.65
HWK 111A	Rear top clamp receptacles (50552/3) to rear deck (10 pcs-2 sides).....	3.05
HWK 111B	Rear top clamp receptacles (50552/3) to rear deck, includes studs (12 pcs-2 sides).....	4.65
HWK 132	Back deck panel garnish mouldings (40408/9) to body (16 pcs).....	8.05
HWK 13	Headlight retaining rings to buckets (6 pcs-2 sides).....	1.30
HWK 14	Headlight buckets to fenders (30 pcs-2 sides).....	5.95
HWK 15	Headlight doors to fenders (2 pcs-2 sides).....	1.95
HWK 16	Parklight lenses to bodies, 55/56 (6 pcs-2 sides).....	4.50
HWK 17	Parklight lenses to bodies, 57 (4 pcs-2 sides).....	3.75
HWK 135A	Front parking lamp bodies to bumper, 57(12 pcs-2 sides)1/4 x 20.....	1.95
HWK 135B	Front parking lamp bodies to bumper, 57(12 pcs-2 sides)1/4 x 28.....	1.95
HWK 20	Tail light lenses to bodies, 55 (6 pcs-2 sides).....	4.50
HWK 21	Tail light lenses to bodies, 56 (6 pcs-2 sides).....	5.95
HWK 22	Tail light lenses to bodies, 57 (8 pcs-2 sides).....	7.50
HWK 136	Rear lamp bodies to rear quarters, 55/56 (6 pcs-2 sides).....	1.15
HWK 137	1/4 panel extensions to rear quarters, 57 (8 pcs-2 sides).....	2.75
HWK 25	Back-up light lenses to bodies, 55 (6 pcs-2 sides).....	5.95
HWK 27	Back-up light block-off plates to body, 55 (6 pcs-2 sides).....	1.25
HWK 26	Back-up light lenses to bodies, 56 (4 pcs-2 sides).....	4.95
HWK 138	Back-up housings to rear quarters, 56 (12 pcs-2 sides).....	1.90
HWK 23	License plate light lens to bumper, 55/56 (4 pcs).....	.90
HWK 24	License plate light lens to bumper, 57 (4 pcs).....	1.05
HWK 139	Gas door to hinge, w/o studs (3 pcs).....	.75
HWK 91	Gas door to hinge, includes studs (6 pcs).....	2.65
HWK 115A	Gas door hinge to body, 55/56 (4 pcs).....	1.95

EXTERIOR KITS (CONT.)

HWK 115B	Gas door hinge to body, 57 (3 pcs).....	.95
HWK 114	Gas neck strap to body bracket (9034B), 57 (3 pcs).....	1.30
HWK 101	Gas neck bracket (9034B) to body, 57 (2 pcs).....	.75
HWK 140	Trunk handle to deck lid, 57, w/o wedge washers (4 pcs).....	1.25
HWK 36	Front bumper to brackets, 55/56 (32 pcs-2 sides).....	15.50
HWK 36XS	Same as HWK36 except with show quality bumper bolts.....	27.50
HWK 272	Bumper guard centers to guards, front or rear (12 pcs-2 sides).....	2.95
HWK 38	Front bumper brackets to frame, 55/56 (16 pcs-2 sides).....	5.95
HWK 37	Front bumper to brackets, 57 (8 pcs-2 sides).....	5.95
HWK 37XS	Same as HWK37 except with show quality bumper bolts.....	9.95
HWK 40	Front bumper tips to bumper, 57 (32 pcs-2 sides).....	8.95
HWK 39	Front bumper brackets to frame & body, 57 (64 pcs-2 sides).....	12.95
HWK 41	Rear bumper to brackets, 55 (22 pcs-2 sides).....	12.95
HWK 41XS	Same as HWK41 except with show quality bumper bolts.....	21.95
HWK 44	Rear bumper brackets to frame, 55 (16 pcs-2 sides).....	5.95
HWK 42	Rear bumper to brackets, 56 (24 pcs-2 sides).....	12.95
HWK 42XS	Same as HWK42 except with show quality bumper bolts.....	21.95
HWK 76	Upper rear bumper to lower, 56 (18 pcs).....	4.95
HWK 45	Rear bumper brackets to frame, 56 (56 pcs-2 sides).....	14.95
HWK 43	Rear bumper to brackets, 57 (16 pcs-2 sides).....	10.95
HWK 43XS	Same as HWK43 except with show quality bumper bolts.....	12.95
HWK 47	Rear bumper halves to each other, 57 (48 pcs).....	11.95
HWK 46	Rear bumper brackets to frame, 57 (36 pcs-2 sides).....	11.95
HWK 142	Con't kit hinge brackets & latch ass'y to body, 56 (24 pcs).....	5.50

INTERIOR KITS

HWK 143	Padded dash retainer straps to dash, 57 (12 pcs).....	1.90
HWK 9	Inside windshield moulding to w/shield frame, excludes mirror & visor mounting (17 pcs).....	3.70
HWK 11	Visor brackets & clips to w/shield mouldings (8 pcs-2 sides).....	1.95
HWK 35	Inside mirror base to w/shield frame (5 pcs).....	1.25
HWK 122	Steering column collar to dash (4 pcs).....	1.65
HWK 79	Instrument panel eyebrow stainless trim to dash, 57 (7 pcs).....	2.95
HWK 109	Ash tray slide to dash & ash receptacle to tray face plate (8 pcs).....	1.30
HWK 102	Dash aluminum to dash (6 pcs).....	.95
HWK 73	Dash "L" chrome (04358/9) to dash (4 pcs-2 sides).....	.95
HWK 117A	Radio speaker grill to dash (4 pcs).....	.95
HWK 117B	Radio speaker grill to dash, includes studs (8 pcs).....	6.95
HWK 119	Radio support straps to radio & dash (4 pcs).....	.95
HWK 120	Radio shafts to dash (2 pcs).....	4.80
HWK 12	Glove box to dash (6 pcs).....	.90
HWK 103	Glove box hinge to dash (6 pcs).....	.75
HWK 104	Glove box striker to door (4 pcs).....	.75
HWK 105	Glove box door guide arms to door (8 pcs).....	1.15
HWK 106	Glove box hinge to door (6 pcs).....	1.05
HWK 107	Glove box lock to dash (2 pcs).....	.85
HWK 108	Glove box latch plastic guide to dash (4 pcs).....	1.05
HWK 147	Air deflector scoops (01820) to body (6 pcs-2 sides).....	1.55
HWK 148	Rectangular side vent spacer ducts, fenders to aprons (36 pcs-2 sides).....	5.95
HWK 7	Chrome side vent grilles to kick panels, 56/57 (8 pcs-2 sides).....	1.55
HWK 152	Cowl braces to cowl & firewall (22 pcs-2 sides).....	3.50
HWK 149	Brake pedal to pedal arm (3 pcs).....	1.05
HWK 150	Brake pedal bracket to dash, firewall & cowl (8 pcs).....	1.95
HWK 153	Hood release cable bracket to dash (4 pcs).....	1.50
HWK 154	Hood release cable to dash bracket (2 pcs).....	.75
HWK 155	Hood release cable bracket to firewall & cable (6 pcs).....	1.50
HWK 156	Emergency brake cable bracket to firewall (2 pcs).....	.75
HWK 157	Emergency brake ass'y to firewall (4 pcs).....	.75
HWK 81	F/M shifter pointer screw (1 pc).....	.70
HWK 18	Step plates (13208/9C) to body, cadmium (16 pcs-2 sides).....	2.45
HWK 19	Step plates (13208/9C) to body, chrome (16 pcs-2 sides).....	2.65
HWK 90	Accelerator pedal to floor (2 pcs).....	.75
HWK 158	Accelerator pedal to floor & bracket to firewall (4 pcs).....	1.50
HWK 159	Transmission governor cover to floor (4 pcs).....	1.15
HWK 160	Dimmer switch to cover (4 pcs).....	1.00
HWK 94	Dimmer switch plate to floor (4 pcs).....	.80
HWK 95	Steering column seal plates to firewall (9 pcs).....	1.90
HWK 82	Floor plug buttons for power seat cars (2 pcs-2 sides).....	1.30
HWK 97	Power seat gear drive clevis pins & clips (8 pcs-2 motors).....	3.85
HWK 161	Power seat drive brackets to floor (8 pcs).....	1.95

INTERIOR KITS (CONT.)

HWK 74	Drop curtain to floor, 55/56 (6 pcs-2 sides)	8.95
HWK 75	Drop curtain to floor, 57 (2 pcs-2 sides)	2.95
HWK 69	Seat backboard panel to seat (48 pcs)	6.95
HWK 70	1/4 panel cardboard to 1/4 panels (20 pcs-2 sides).....	2.95

DOOR KITS

HWK 162A	Door garnish rails (20906/7) to doors (8 pcs-2 sides).....	1.80
HWK 162B	Door garnish rails (20906/7) to doors, oversize (8 pcs-2 sides).....	2.30
HWK 163	Door garnish mouldings (21172) to garnish rails (18 pcs-2 sides)	8.80
HWK 48A	Door garnish plates (21144/5) to door (4 pcs-2 sides)	1.25
HWK 71A	Door panel to door, 55/56 (39 pcs-1 side).....	8.95
HWK 71B	Door panels to doors, 55/56 (78 pcs-2 sides)	17.95
HWK 72A	Door panel to door, 57 (32 pcs-1 side).....	8.30
HWK 72B	Door panels to doors, 57 (64 pcs-2 sides)	16.55
HWK 164	Armrest bodies to door panels (16 pcs-2 sides).....	2.95
HWK 165	Armrest wedge spacers (21134/5) to doors (18 pcs-2 sides).....	3.95
HWK 166	Door weatherstrip spacers (20572/3) to doors, 57 (4 pcs-2 sides).....	.95
HWK 167	Door access plates to doors (24 pcs-2 sides)	2.95
HWK 168	Door lock assemblies to doors (10 pcs-2 sides).....	3.95
HWK 169	Upper window stops (21770) to doors (12 pcs-2 sides).....	3.15
HWK 49	Door glass channel run to door pillar (6 pcs-1 side)	1.00
HWK 170	Door pillars to doors (8 pcs-2 sides).....	1.80
HWK 92	Door glass stainless to lower channels (6 pcs-2 sides).....	1.55
HWK 171	Door hinge to door & body (7 pcs-1 hinge).....	3.75
HWK 172	Power window wiring protector to door (2 pcs-1 side).....	.45
HWK 173	Door panel channels (21032/3) to doors (8 pcs-2 sides).....	1.50
HWK 110A	Outside door handles to doors, 55/56 (8 pcs-2 sides).....	1.95
HWK 110B	Outside door handles to doors, 57 (8 pcs-2 sides)	1.95
HWK 50	Striker plate to door (3 pcs-1 side).....	2.55

HARD TOP KITS

HWK 174	Hard top front clamps to top (4 pcs-2 clamps)	2.10
HWK 175	Hard top side clamps to top (4 pcs-2 clamps).....	2.25
HWK 176	Hard top rear clamp plates to top (16 pcs-2 sides).....	3.85
HWK 57	Hard top clamps to top (24 pcs-all clamps)	8.85
HWK 63	Hard top tack strip to top (45 pcs)	7.75
HWK 64	Hard top weatherstrip to top (47 pcs).....	7.95
HWK 65	Hard top stainless trim to top (20 pcs).....	2.95
HWK 67	Hard top wire-on trim to top (6 pcs).....	1.20
HWK 53	Inside porthole rings to outside rings (8 pcs-2 sides)	1.95

SOFT TOP KITS

HWK 177	Soft top front header center casting to end castings (12 pcs).....	2.10
HWK 178	Soft top front header casting to front side rails (16 pcs-2 sides).....	5.25
HWK 179	Soft top center bows (2) to side rails (16 pcs-2 sides)	5.25
HWK 180	Soft top webbing plates to number 2 bow (4 pcs-2 sides).....	.95
HWK 181	Soft top front stainless trim to frame (20 pcs)	9.50
HWK 182	Soft top outside wire-on tips to top (4 pcs-2 sides).....	1.00
HWK 184	Soft top front clamps to frame (8 pcs-2 clamps).....	3.85
HWK 185	Soft top side clamps to frame (4 pcs-2 clamps)	1.95
HWK 186	Soft top rear clamp plates to frame (8 pcs-2 sides).....	3.25
HWK 56	Soft top clamps to top (40 pcs-all clamps).....	8.95
HWK 58A	Chrome soft top rivet pins, with clips, (12pcs).....	26.95
HWK 58B	Chrome soft top rivet pins with clips + washer (18 pcs-2 sides).....	29.95
HWK 59A	Chrome soft top pins, removable type with retainers, early type top, (24 pcs).....	52.00
HWK 59B	Early soft top frame kit; chrome pins, bolts, nuts, washers, acorn nuts and sleeves. Does not include HWK 56 or HWK 58 (76 pcs-2 sides).....	59.95
HWK 60A	Same as HWK 59A except for later tops, chrome pins and retainers (32 pcs)	65.00
HWK 60B	Late soft top frame kit; chrome pins, bolts, nuts, washers, acorn nut and sleeves. Does not include HWK 56 or HWK 58 (88 pcs-2 sides).....	74.95

SOFT TOP KITS (CONT.)

HWK 62	Soft top rear bow tack strip to frame (90 pcs).....	7.75
HWK 66A	Soft top weatherstrip to frame with T-Bolts (96 pcs-2 sides).....	17.95
HWK 66B	Soft top weatherstrip to frame w/o T-Bolts (84 pcs-2 sides).....	11.95
HWK 187	Swingarm bar feet halves to each other (14 pcs-2 sides)	3.25
HWK 188	Soft top swingarm bar feet to floor (12 pcs-2 sides)	1.95
HWK 68	Soft top swingarm feet including special adjusting bolts, (34 pcs-2 sides).....	17.95

ENGINE COMPARTMENT KITS

HWK 189	Hood to hood hinges (12 pcs-2 sides).....	1.95
HWK 190	Hood hinges to nose panel brace (12 pcs-2 sides)	2.75
HWK 191	Hood latch pin brackets to hood (12 pcs-2 sides)	1.95
HWK 192	Hood latch pins to hood brackets (2 pcs-2 sides).....	.95
HWK 96	Hood lock catch to firewall, original style (8 pcs-2 sides).....	2.30
HWK 32	Hood pad to cowl drive nails (8 pcs)	2.50
HWK 84	Radiator, mounting bolts to "U" brace, (4pcs, 2 sides)	2.95
HWK 193	Radiator U brace to body (18 pcs).....	2.40
HWK 194A	Radiator to radiator support brace, 55 (12 pcs).....	2.30
HWK 194B	Radiator to radiator support brace, 56/57 (4 pcs).....	2.95
HWK 195A	Radiator shroud halves to each other & to radiator, 55. Does not include HWK 93 (40 pcs-2 sides).....	6.95
HWK 195B	Radiator shroud halves to each other & to radiator, 56/57. Does not include HWK 93 (19 pcs-2 sides).....	7.70
HWK 93	Lower fan shroud bracket to lower radiator tank bracket (8 pcs).....	2.50
HWK 197	Horn brackets to body (8 pcs-2 sides)	2.95
HWK 77	Battery hold down washers and wingnuts, 2 bolt type, (6 pcs).....	4.65
HWK 78	Battery hold down washers and wingnuts, 3 bolt type, 56/57 (9 pcs).....	5.65
HWK 198	Battery tray to inner fender & firewall (12 pcs)	3.95
HWK 199A	Battery heat shield to battery tray, original tray, 55 (4 pcs)95
HWK 199B	Battery heat shield to battery tray, reproduction tray, 55 (6 pcs)95
HWK 200A	Battery heat shield to battery tray, original tray, 56/57 (4 pcs).....	1.05
HWK 200B	Battery heat shield to battery tray, repro. tray, 56/57 (8 pcs).....	1.95
HWK 201	Master cylinder to firewall (8 pcs)	2.25
HWK 202A	Power brake booster to inner fender (12 pcs), 55.....	1.95
HWK 202B	Power brake booster to inner fender, 56/57 (16 pcs).....	2.95
HWK 203	Power brake booster to bracket (4 pcs)	1.05
HWK 204	Ground strap, engine to firewall & battery cable to engine, 55/56 (5 pcs).....	1.95
HWK 205	Ground strap, engine to firewall & battery cable to firewall, 57 (5 pcs).....	1.95
HWK 206	Fresh air cable brackets (01822) to inner fenders & clip to bracket (6 pcs-2 sides).....	.95
HWK 207	Windshield washer bag bracket & lower bag shield to inner fender (4 pcs).....	.95
HWK 208	Starter solenoid to firewall (2 pcs).....	.95
HWK 209	Voltage regulator to inner fender (3 pcs).....	.90
HWK 210	Heater blower assembly to inner fender (6 pcs).....	1.75
HWK 211	Heater blower round support plate to housing (5 pcs).....	.70
HWK 212	Heater core to housing and housing to firewall (10 pcs)	1.75
HWK 213	Heater hose bracket (18481) to inner fender (2 pcs)75
HWK 214A	Wiring junction blocks to inner fenders, 55/56 (4 pcs-2 sides)	1.40
HWK 214B	Wiring junction block to inner fender, 57 (2 pcs).....	.75
HWK 215	Oil pan to block (44 pcs)	7.95
HWK 216	Timing case cover to engine. Does not include HWK 217A or HWK 217B (16 pcs).....	6.95
HWK 217A	Water pump to engine with pr. steering (8 pcs).....	4.25
HWK 217B	Water pump to engine with manual steering (8pcs).....	3.95
HWK 98	Water pump plug for cars w/o pr. steering & or heater (1 pc).....	1.30
HWK 218	Vent block-off cover (6869) to engine (4 pcs).....	1.45
HWK 219	Road draft tube to engine (3 pcs)95
HWK 220	Valley cover to engine (4 pcs)	2.10
HWK 221	Intake manifold carburetor studs (4 pcs).....	6.95
HWK 222A	Intake manifold to engine. Does not include 4 center studs or cupped washers (16 pcs).....	6.25
HWK 222B	Same as A except has 4 studs (20 pcs)	9.95
HWK 223	Carburetor to intake manifold, nuts & washers only, 55/56 (8 pcs).....	1.95

ENGINE COMPARTMENT KITS (CONT.)

- HWK 224** Carburetor to intake manifold, nuts & washers only, 57 (8 pcs) ...1.95
- HWK 225** Thermostat housing (8592) to manifold & by-pass tube to water pump (8 pcs).....1.75
- HWK 226** Fuel pump to timing case cover (4 pcs)1.15
- HWK 227** Starter motor to bell housing (6 pcs)1.30
- HWK 228** Aluminum valve cover complete hardware kit; consists of long thread studs, chrome washers & acorn nuts (12 pcs-2 sides).....19.95
- NOTE•• For complete installation kit including gaskets and grommets see 6A506 and 6A507
- HWK 229** Aluminum valve cover acorn nuts (4 pcs-2 sides)8.95
- HWK 230** Aluminum valve cover chrome washers (4 pcs-2 sides)3.75
- HWK 231** Aluminum valve cover chrome washers & acorn nuts (8 pcs-2 sides).....12.75
- HWK 232** Coil bracket to intake manifold (4 pcs).....1.15
- HWK 233** Spark plug wire brackets to engine (8 pcs).....2.50
- HWK 234** Fan to water pump (8 pcs)2.30
- HWK 235** Front motor mount to engine bracket (10 pcs)3.25
- HWK 236** Engine steady rest brackets (6954/5) to engine (8 pcs-2 sides)....3.25
- HWK 237A** Generator to brackets (3), with stamped steel end plate (11 pcs)....3.50
- HWK 237B** Generator to brackets (3), with cast end plate (11 pcs)3.50
- HWK 238A** Exhaust manifold to head, RH, 14 pcs9.95
- HWK 238B** Exhaust manifold to head, LH, 14 pcs9.95
- HWK 239A** Exhaust manifolds to heads, manual steering (28 pcs-2 sides)....19.95
- HWK 239B** Exhaust manifolds to heads, power steering (28 pcs-2 sides)....19.95
- HWK 240A** Exhaust manifold studs & brass nuts to header pipes, RH (6 pcs, 1 side) ...9.95
- HWK 240B** Exhaust manifold studs & brass nuts to header pipes, LH (6 pcs, 1 side)....8.95
- HWK 241** Accelerator bellcrank to intake manifold (4 pcs)85
- HWK 242** Accelerator steady bracket to engine block (4 pcs)85
- HWK 244** Weatherstrip and seal staples (50 pcs).....3.50

UNDERCARRIAGE KITS

- HWK 243** Apron shields (16050) to inner fender panels (8 pcs-2 sides).....2.25
- HWK 244** Weatherstrip & seal staples (50 pcs).....3.50
- HWK 245** Fender support braces, fenders to aprons (12 pcs-2 sides)4.95
- HWK 246A** Steel air ducts to scoops & aprons (63 pcs-2 sides).....9.50
- HWK 246B** Fiberglass air ducts to scoops & aprons (116 pcs-2 sides)9.50
- HWK 247** Door post splash shields to front fenders, aprons, upper seals & air duct studs (30 pcs-2 sides)5.95
- HWK 121** Lower splash shields (16102/3) to inner fender panels (12 pcs-2 sides).....4.50

UNDERCARRIAGE KITS (CONT.)

- HWK 248** Upper ball joints to upper A arms (16 pcs-2 sides)4.50
- HWK 249** Lower ball joints to lower A arms (12 pcs-2 sides)7.70
- HWK 1** Tie rods & ends to drag link & spindle arms (8 pcs-2 sides)3.95
- HWK 250A** Idler arm bracket to frame, power steering (9 pcs).....3.95
- HWK 250B** Idler arm bracket to frame, manual steering (6 pcs)2.95
- HWK 251** Idler arm to bushings, power steering (6 pcs).....2.75
- HWK 252** Steering box to frame (6 pcs)4.95
- HWK 253** Stabilizer arm brackets (5486) to frame (12 pcs-2 sides).....2.95
- HWK 254** Front shock lower mounting plates to lower A frames (8 pcs-2 sides).....2.75
- HWK 255** A frame arm bumpers to A frames (8 pcs-2 sides)1.75
- HWK 257** Upper A frame arms to frame (12 pcs-2 sides)6.95
- HWK 260** Wheel cylinders to backing plates (16 pcs-all 4)2.95
- HWK 261B** Backing plates to axle housing, 57 (16 pcs-2 sides)39.95
- HWK 262** Rear brake pipe connector to axle housing, 55/56 (4 pcs)1.25
- HWK 263** Rear spring U bolt nuts (4 pcs-1 side).....3.00
- HWK 264** Fordomatic trans pan to case (28 pcs).....5.95
- HWK 265** Rear transmission mount to frame (6 pcs).....2.35
- HWK 266** Rear transmission cross brace to frame, 55/56 (18 pcs).....3.95
- HWK 267A** Rear engine mount to frame & transmission, FM (12 pcs)4.95
- HWK 267B** Rear engine mount to frame & transmission, STD (12 pcs).....4.95
- HWK 268** Rear axle housing cover, 55/56 (20 pcs).....4.95
- HWK 269** Differential 3rd member to axle housing, 57 (10 pcs).....2.75
- HWK 270** Universal joint U bolt nuts & washers (8 pcs).....1.25
- HWK 271** Rear exhaust hangers (5261A) to bumper guards, 55 (12 pcs-2 sides)1.75
- HWK 2** Exhaust deflectors to bumpers & brackets, 56 (22 pcs-2 sides)....7.50
- HWK 3** Exhaust deflectors to bumper, 57 (12 pcs-2 sides).....13.95
- HWK 87** Gas tank gauge to gas tank, 55/56 (6 pcs).....1.95

TRUNK KITS

- HWK 273** Trunk hinges to deck lid, 55/56 (12 pcs-2 sides).....1.95
- HWK 86** Trunk hinges to deck lid, 57 (4 pcs-2 sides).....1.90
- HWK 116A** Trunk lock assembly to trunk lid, 55/56 (6 pcs).....1.55
- HWK 116B** Trunk lock assembly to trunk lid, 57 (8 pcs).....1.50
- HWK 99** Spare tire hold down clevis pins, washers & clips, 57 (6 pcs).....1.90
- HWK 275** Trunk side cardboards to body, 57 (13 pcs-2 sides).....2.95
- HWK 276** Trunk divider board to body, 55 (5 pcs).....1.50



RECYCLED PAPER

Joining in the spirit of current ecological efforts to maintain the natural resources of our planet, and thereby keeping them available for future generations, Thunderbird Headquarters has decided to print this catalog on recycled paper.



Thunderbird Headquarters is proud to be a part of the Ford Trademark Licensing Program. This program has been designed to assure that all of the reproduction parts listed in our catalog are of the finest quality. Look for the Official Licensed Product logo and you will know that you are buying only the finest parts available anywhere.

Index

A

Accelerator Linkage41
 Accelerator Pedal41
 Accessories7, 9
 Air
 Cleaners41
 Conditioning72
 Duct43
 Scoop43
 Vents43
 Alternator51
 Antenna10, 71
 Arm
 Idler20
 Rocker30
 Windshield Wiper66
 Arm Rest75
 Arm Rest Covers2

B

Back Up Light61
 Ball Joints19
 Battery
 Cables57
 Heat Shield52
 Hold Down Kit51
 Tray51, 52
 Bearing
 Clutch35
 Front Wheel14
 Generator51
 Rear Axle14
 Steering Gear Box20
 Steering Shaft21
 Bellcrank33, 34
 Belts38
 Books and Manuals5, 6
 Boot, Gear Shift34
 Brake
 Booster15
 Cable18
 Drums14
 Hose17, 18
 Light Switch56
 Master Cylinder17
 Shoes, Front15
 Shoes, Rear17
 Wheel Cylinder17
 Bulbs
 Headlight55
 Lights56
 Bumper, Front67
 Bumper, Rear68
 Bumpers
 Frame to Body Insulator27
 Front Suspension19
 Gas Door85
 Glove Box50
 Hood64
 Rear Axle28
 Trunk Lid56
 Bushing
 Brake Pedal18
 Distributor Shaft53
 Front Suspension19
 Idler Arm20
 Master Cylinder Rod18
 Pr. Steering Cyl. Mounting21
 Rear Spring28
 Shock Mounting69
 Starter Motor52
 Trans. Extension33
 Windwing Hinge44

C

Cable
 Battery57
 Emergency Brake18
 Front Parking Brake18
 Heater Control70
 Hood Latch64
 Speedometer35, 65
 Starter59
 Tachometer65
 Vent Control43
 Cap
 Distributor53
 Gas38
 Master Cylinder17
 Oil32
 Power Steering Filler19
 Radiator36
 Car Cover7
 Carburetor41
 Carpet3
 Choke Tubes42
 Cigarette Lighter61
 Clamp
 Battery Hold Down51
 Hard Top79, 80
 Tail Pipe27
 Clocks61-65
 Clutch35
 Coil, Ignition53
 Continental Kit15
 Control Valve, Power Steering24
 Convertible Top
 Assembly80-81
 Clamps79
 Recovering Kits10, 83
 Weatherstripping82
 Wire-On Tips81
 Cover
 Air Cleaner41
 Dash2
 Firewall42
 Spare Tire (Con't Kit)15
 Spare Tire (Trunk Mat)78
 Spedometer Dome65
 Valve30

D

Damper Pulley29
 Dash
 Aluminum Trim3, 49
 Bezel52
 Covers2
 Headlight Knob52
 Lighter Knob61
 Vent Control43
 Wiper Knob66
 Decals13
 Deck Lid Protector9
 Deflector
 Exhaust27
 Stone64
 Diaphragm
 Carburetor41
 Power Brake Booster18
 Differential25
 Dipstick
 Engine, Oil32
 Transmission33
 Tube, Engine32
 Tube, Trans.34
 Distributor53-54
 Distributor Tune-Up Kit53
 Dome, Speedometer65
 Door
 Aluminum Trim3, 73
 Check Stop Arm75

Gas Filler77
 Glass73
 Handle (Inside)74
 Handle (Outside)74
 Hinge75
 Lock Striker74
 Panels3
 Weatherstrip72
 Drag Link20
 Drain Cock, Radiator36
 Drop Curtain2

E

Element, Air Cleaner41
 Emblem
 Dash w/o Pad50
 Nose37
 V-8, Glove Box50
 Engine Parts29-33
 Exhaust Manifold40
 Exhaust System27

F

Faceplate
 Clock65, 69
 Speedometer65
 Tachometer65
 Fan
 Belt38
 Heater70
 Radiator38
 Shroud36
 Spacer38
 Fender Cover7
 Fender Skirts76
 Filter
 Air Cleaner41
 Fuel38
 Oil32
 Power Steering21, 77
 Transmission33
 Firewall Cover42, 44
 Fitting, Zerk84
 Flasher, Turn Signal56
 Floor Mats7
 Flywheel29
 Foam, Seat2
 Fresh Air System43
 Front Grill37
 Fuel
 Filter38
 Lines38, 40
 Pedal Pads41
 Pump40
 Sending Unit40
 System38-42
 Tank38
 Tank Straps38

G

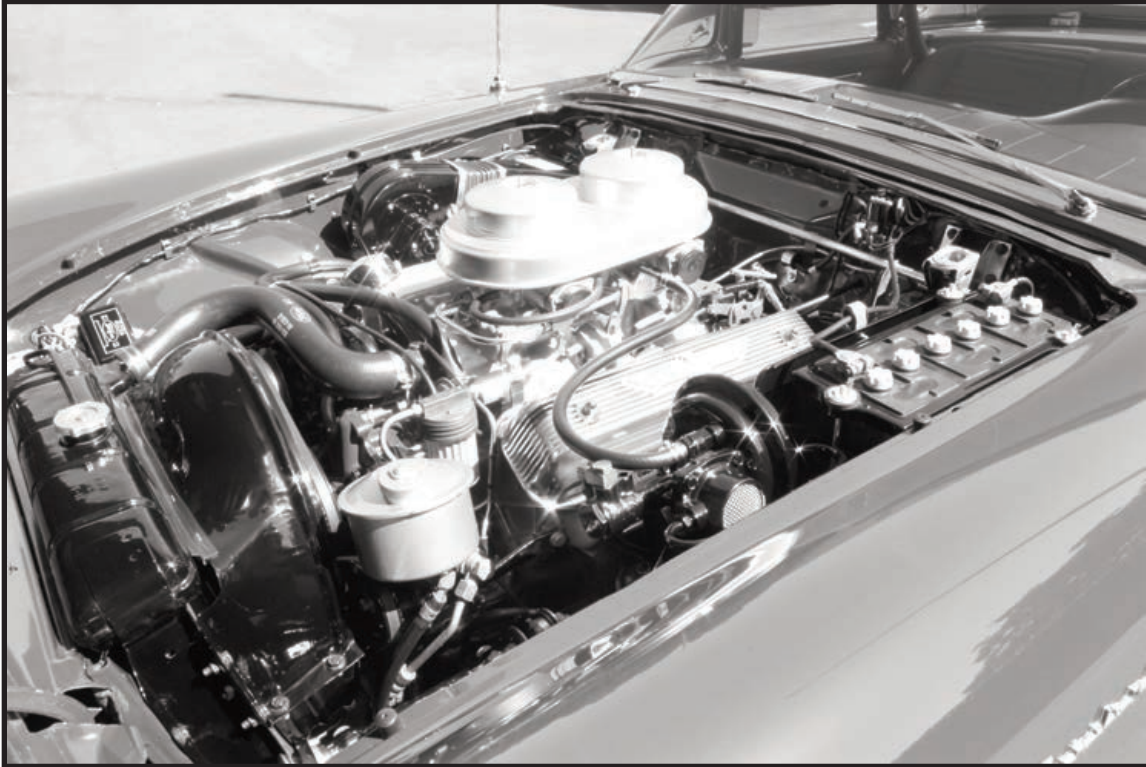
Garnish
 Door Rail73
 Rear Deck Moulding77
 Gas
 Caps38
 Door Hinge77
 Tank38
 Gasket
 Air Cleaner41
 Air Vent Ducts43
 Antenna72
 Back Up Lens61
 Brake Fittings17
 Carburetor40
 Choke42
 Distributor Base54
 Engine Oil Pan30
 Engine Overhaul Kit29

Exhaust Manifold40
 FM Trans. Oil Pan34
 Fuel Filter40
 Fuel Pump40
 Head29
 Headlite Bucket55
 Heater, Set71
 License Light Lens57
 Master Cyl. Cap17
 Miscellaneous86, 87
 Oil Filter32
 Oil Pump30
 Parking Lamp Lens55
 Power Window Switch59
 Rear Axle Cover25
 Tail Lamp Lens56
 Trans., Set33
 Valve Cover29, 30
 Water Pump38
 Gauges40, 52
 Gear Box
 Power Window75
 Steering20
 Gear Shift
 Boot34
 Knobs34
 Generator51
 Generator Overhaul Kit51
 Gift Certificate11
 Glass
 Back Window77
 Door Window73
 Porthole Window76
 Windshield44
 Windwing44
 Glove Box50
 Grill, Front37

H

Handle
 Door (Inside)74
 Door (Outside)74
 Trunk78
 Window Regulator75
 Hard Top
 Back Window Glass77
 Clamps79, 80
 Headliner4, 82
 Headliner Bows81
 Porthole Window76
 Weatherstripping86-87
 Hardware Kits88-90
 Harmonic Balancer29
 Headlamps55
 Headliner82
 Headliner Bows81
 Heat Riser Valve40
 Heater
 Assembly71
 Blower Motor70
 Core70
 Defroster Hose71
 Ducts70
 Gasket Set71
 Hose71
 Knob70
 Switch71

- Hinge
Cowl Vent Door43
Door75
Gas Door77
Windwing44
Horn57
Horn Ring Assembly58, 59
Hose
Clamp Kit71
Defroster71
Front Brake17
Heater71
Power Steering24
Radiator37
Rear Brake18
Vacuum66
Windshield Washer66
Hubcaps14
- I**
I.D. Tags13
Idle Arm20
Ignition Parts51-54
Insulation4
Insulator, Engine29
Interior Trim2-4
- J**
Jack64
Joint
Ball19
Universal25
- K**
Key Blanks74
Kick Panels3
Kick Panel Retainers3, 44
Knob
Door Lock73
Gear Shift34
Headlight52
Heater70
Lighter61
Radio72
Side Vent43
- L**
Leaf Springs28
Lens
Back Up Light61
Instrument Glass52, 65
License Plate Lamp57
Map Light57
Park Light55
Speedometer (Glass)65
Tail Light56
Trans. Selector35, 61
Lever, Turn Signal56
Licence Plate Lamp56-57
Light Bulbs56
Lighter, Cigarette61
Literature5-6
Lock
Bezel, Glove Box50
Door73
Ignition52
Transmission7
Trunk78
Lug Wrench64
- M**
Manuals5-6
Map Light57
Master Cylinder17
Mats
Floor7
Trunk78
Medallion
Hard Top79
- Horn Ring*58, 59
Wheel Cover14
Mirrors66
Motor
Engine Mounts29
Heater Blower70
Power Seat59-60
Power Window60
Windshield Wiper66
Motor Mounts29
Mouldings, back glass77
Mufflers27
- N**
Neutral Safety Switch34
- O**
Oil
Caps32
Dipsticks32
Filter32
Pan Plug30
Pumps30
Order Form45, 47
Ornament
Crest, Front Fender76
Cross Flags, Gas Door77
Hashmarks63
Horn Ring Medallion58-59
Medallion Hard Top79
Nose Emblem37
Script, Front Fender63
Script, Rear Fender75
V-8, Front Fender63
V-8, Glove Box50
Wheel Cover Medallion14
Outside Mirrors66
Owners Manuals5
- P**
Pad
Brake Pedal18
Clutch Pedal18
Hood64
Padded Dash4, 49
Parking Brake Cables18
Parklites55
Patch Panels12
Pedal, Accelerator41
Plate
Clutch Pressure35
Door Lock Striker74
Plug
Differential84
Floorpan52
Freeze29
Gas Tank84
Oil Pan30
Plug Wire Sets54
Spark Plugs54
Porthole Window76
Power Brake Booster15
Power Seat Motor59-60
Power Steering Control Valve24
Power Steering Pump21
Power Steering Ram Cylinder21
Power Window Gear Box75
Power Window Motor60
Power Window Switches60
Pulley
Crankshaft29
Generator51
Parking Brake Cable19
Pump
Fuel40
Oil30
Power Steering21
Water38
- Windshield Washer*66
- Q**
Quarter Panel
Cardboards2
QuietRide4
- R**
Radiator36
Radiator Hoses37
Radio10
Antenna10, 71
Original71
Speaker (Original)71
Speakers (Stereo)10
Ram Cylinders21
Rear View Mirror66
Regulator
Instrument Cluster52
Voltage51
Window75
Reservoir, Windshield Washer66
Retainer, Door Panel73
Road Draft Tube32
- S**
Seals, Misc.86, 87
Seat
Backrest Cardboard2
Belts8
Cover2
Foam2
Miscellaneous83
Sending Unit
Fuel Tank40
Oil40
Temperature52, 65
Sheet Metal
Patch Panels12
Shipping Policy44, 46
Shock Absorbers69
Shop Manuals6
Shroud, Fan36
Soft Top
Assembly80
Clamps79
Recovering Kits10, 83
Weatherstripping82
Wire-On Tips81
Spark Plugs54
Spark Plug Wires54
Speakers
Aftermarket10
Original71
Speedometer
Cable35
Faceplate65
Spring
Brake Shoe17
Clutch35
Con't Kit Lever Ass'y15
Door Handle75
Door Lock Remote73
F/M Shifter34, 83
Front Coil28
Gas Door Hinge63
Generator Brush51
Headlamp Bucket55
Hood Hinge64
Hood Latch64
Horn Ring59
Power Seat Assist83
Rear Leaf28
Trunk Hinge77
Turn Signal56
Window Handle75
Starter52
Steady Rests33
Steering Column Parts20-21
- Steering Gear Box20
Step Plates3, 55
Sun Visors3, 44
Sway Bar24
Switch
Back Up lights61
Brake Light56
Headlight52
Heater Blower Motor71
Ignition52
Map Light57
Neutral Safety34
Power Seat61
Power Window59
Turn Signal56
- T**
Tail Lights56
Tank, Fuel38
Temperature Sender52
Thermostat38
Thermostat Housings38
Tie Rods19, 20
Tonneau Cover24
Tools8
Top Clamps79-80
Tray, Battery51-52
Trim
Dash Aluminum49
Door Aluminum3, 73
Trunk Lock78
Trunk Mats78
Turn Signal56
- U**
Universal Joint25
Upholstery2
- V**
Valve
Covers30
Cover Gaskets29-30
Power Steering Control24
Visors3, 44
Voltage Regulator51
- W**
Water Pump38
Weatherstripping
Back Window Glass77
Door72
Front Body Pillar44
Hard Top82
Miscellaneous86, 87
Soft Top82
Trunk Lid78
Windshield44
Wheels14
Windlace2
Window
Door73
Porthole76
Rear77
Windshield44
Windshield Washer Reservoir66
Windshield Wipers66
Windwing Assembly44
Wire Wheel14
Wiring62
Wiring schematic6
Wrench, Lug64
- Z**
Zerk Fitting84



Alan then focused on the engine and engine compartment. Paint on the firewall had begun to fail and required stripping and painting. Several parts under the hood were not to his liking and were either repaired, refinished or replaced. He decided to remove the single four barrel carburetor and install a set of original and correct dual four barrel carburetors, aluminum intake manifold and air cleaner. Also included were correct linkage, fuel lines and "trash can" fuel filter. This beautiful set-up took over six months to restore, sort out and tune in.

Not being content to stop there it was time to tackle the interior. The seats were reupholstered in red leather. Carpet was replaced and sound-and heat insulation added. Power windows were added along with new door panels and associated trim. Additionally all of the stainless trim was removed, repaired as needed, polished, replaced. Then new chromed was added to door window posts and window wing vents.

The most recent project was the installation of Fairlane headlight doors. This continues to be an ongoing project. Driving, showing, repairing and restoring as he goes. What's next? There will always be something needing done. Maybe a complete repaint.

Alan Writes:

"A special Thank You to Gil Baumgartner for finding me this car and for his help and guidance through the entire process.

This Thunderbird has been shown in numerous Concourse and other shows and has received many awards. It displays well and always draws great interest wherever it is shown. Driving and showing this car presents me with the opportunity to talk with and answer questions of its many admirers. The best part of the hobby and showing this beautiful Torch Red 1957 Thunderbird is to have the opportunity to share with others who have the same interest and passion in the restoration and preservation of these wonderful cars."