

# *Thunderbird Headquarters*

**Our 40th Anniversary!**  
**\$5.00**

## **1955-1972**

### **Illustrated Thunderbird Parts and Accessories Catalog**



**Don Johnson's 1957**

**Call us: 1-925-825-9550**

**4020 Pike Lane  
Concord, CA 94520**

**2019 Edition**

# ORDER & SHIPPING POLICY

## HOW TO ORDER:

**CUSTOMER NUMBERS:** When you order from us the first time you are assigned a customer number. We use this number to keep track of all your information, orders and catalog mailing. Please use your customer number when ordering.

**ORDER LINE ..... 925-825-9550**  
**TOLL FREE LINE.. 800-227-2174**  
**FAX ..... 925-689-1771**  
**EMAIL: [parts@tbirdhq.com](mailto:parts@tbirdhq.com)**  
**SHOP ONLINE: [www.tbirdhq.com](http://www.tbirdhq.com)**

**TELEPHONE ORDERS:** You may place your order by telephone Monday through Friday between 8 A.M. and 5 P.M Pacific time. We will accept Visa, MasterCard, American Express and Discover cards. Please give us correct part numbers when ordering. Even though we are here to help, we are not trained automotive technicians.

**FAX ORDERS:** Please feel free to use our 24 hour FAX machine to send in your orders. Our FAX number is 925-689-1771.

**MAIL ORDERS:** Please try to list parts in numerical order with a complete description. Be sure to give us all the information so we will be able to accurately fill your order. Shipments are normally made within 48 hours of receipt. Visa, MasterCard, AmericanExpress, Discover and Postal Money Orders are accepted.

**SHOP IN PERSON:** If you are in the Bay Area of Northern California, please visit our showroom. Our showroom is open Monday through Friday from 8:30 A.M. to 4:30 P.M. We are closed on all major holidays.

**SHOP ONLINE:** go to our website [www.tbirdhq.com](http://www.tbirdhq.com) to shop online.

## SHIPPING POLICY:

**GUARANTEE AND RETURNS:** All of our parts are guaranteed! If you are not satisfied with any part, simply return it to us in an undamaged condition within 30 days for an exchange or a refund. Returns will not be accepted on items with which installation has been attempted. All returns must be returned **PREPAID** and shipped the least expensive way. Shipping will be paid both ways if it is our error. All returns **MUST** have a copy of the invoice and may be subject to a restocking charge. **NO EXCEPTIONS will be allowed!** The liability of Thunderbird Headquarters is limited only to the replacement of defective parts. No labor claims will be honored.

**SHIPMENTS INSIDE THE CONTINENTAL U.S.:** We ship by UPS or FedEx within the U.S. whenever possible. 1/4 panels, AC kits, brake conversion kits, brake drums, bumpers, continental kits, convertible top frames, exhaust pipes and mufflers, gas tanks, leaf springs, padded dashes, QuietRide kits, radiators, seat foam and windshields may need to be shipped by freight truck. If you need to request UPS Next Day or 2nd Day Air or 3rd Day Select Service you will be charged the actual shipping cost plus a \$5.00 handling fee.

**SHIPMENTS TO ALASKA, HAWAII AND PUERTO RICO:** Shipments are normally made by UPS or by U.S. Post Office if requested.

**SHIPMENTS TO APOs AND FPOs:** Your order must be prepaid by credit card or postal money order. Shipments are made by Parcel Post.

**INTERNATIONAL SHIPMENTS:** Your order must be prepaid by bank card or wire transfer. Please specify UPS, FedEx, or post office. Actual shipping charges must be paid by the purchaser. All Customs Duties and clearance costs must be paid by the purchaser upon delivery. We do not ship by ocean freight.

**FREIGHT TRUCK SHIPMENTS:** Certain items may be too large or too heavy to be shipped by UPS. These items must be prepaid by postal money order or bank card.

**BACKORDERS:** If a part is temporarily out of stock we will backorder the item and ship it as soon as possible. **If you are using Visa, MasterCard, AmericanExpress or Discover, you WILL NOT** be billed for backordered items until they are shipped. If you have paid by money order we will refund you if we cannot ship the item within 30 days.

**INQUIRIES:** Please call our Customer Service Department at 925-825-9550 Monday through Friday, 9 A.M. to 4:30 P.M., Pacific Time to check on the status of your order. **Please do not use our toll free line for inquiries.**

**QUANTITY DISCOUNTS:** We offer a quantity discount of **10%** on orders for new parts and upholstery over **\$1000.00** Used and rebuilt parts, A/C units, wire wheel hubcaps, exhaust pipe kits, bumper guards, convertible top frames, upholstery kits, continental kits, front end rebuild kits, disc brake conversion kits, power steering conversion kits and brake booster kits do not qualify for discount. **These excluded items have already been discounted.**

**DAMAGES OR SHORTAGES:** Should you receive damaged merchandise or missing merchandise due to a broken box contact the shipping company, (UPS, FedEx, Post Office, Freight Truck Line, etc.) immediately. They will start the claim procedure. **Do not ship the parts back to us until the claim is resolved. Keep all boxes and packing material as they may want to inspect them. We will do everything we can to see that your claim is taken care of.**

**PRICING:** Due to price changes by our suppliers we must reserve the right to change prices without notice.

**LIABILITY:** The seller, Thunderbird Headquarters, hereby expressly disclaims all warranties, either expressed or implied, including any implied warranty or merchantability of fitness for a particular purpose, and Thunderbird Headquarters neither assumes nor authorizes any other person to assume for it any liability in connection with the sale of this merchandise. **No labor claims will be honored. The liability of Thunderbird Headquarters is limited to the replacement of the defective parts. There is a maximum warranty period of 90 days on all rebuilt items.**



Thunderbird Headquarters is proud to be a part of the Ford Trademark Licensing Program. This program has been designed to assure that all of the reproduction parts listed in our catalog are of the finest quality. Look for the Official Licensed Product logo and you will know that you are buying only the finest parts available anywhere.

**WARNING:** The products sold in this catalog can expose you to chemicals including benzene which is known to the State of California to cause cancer, birth defects or other reproductive harm. for more information, visit: [www.p65warnings.ca.gov](http://www.p65warnings.ca.gov)

*Thunderbird Headquarters*

# IN MEMORY OF DON JOHNSON - MAY 3, 1944 - JUNE 12, 2019



Friday, October 9, 1981

Times photo/Dan Rosenstrauch

Don Johnson owns a thriving Concord business supplying vintage Mustang and T-Bird parts.

## Kid's dream, now a booming business

By **BOB HAGIN**

Don Johnson has always had a thing about Thunderbirds. Even when he was a kid growing up in Southern California, he had eyes for the little two-seater that Ford produced from 1955 to 1957.

When one came onto the used car lot of his dad's Plymouth dealership he would cast wishful eyes over its sleek lines and vow again that someday he would have one.

Well, Don is all grown up now and not only does he have his Ford Thunderbird but he also owns an early Ford Mustang and a nationwide mail-order business that sells parts for both Ford products.

"My roommate in college had a 'Bird and that kept my interest up," he said when I talked to him the other day. "My opportunity to own one didn't come until 1967. We bought a '57 hardtop and my wife and I drove it for everyday transportation for several years. Finally, we bought another car to drive, parked the 'Bird in front of the house and planned to restore it someday."

Several years later Don did indeed decide to restore his old standby. Having joined the local T-Bird owner's club he was intrigued by the shows put on bi-annually by the national organization. In the period of seven working months, Don not only restored his car but was able to carry off a best of show trophy at the national Thunderbird club convention in San Jose in 1977.

The next year he restored a rare twin carburetor model '57 and took a second place at the Thunderbird convention in Dallas.

Since leaving college Don has been in the oil business either as a petroleum company representative or as the owner of a successful service station in Orinda. Since his excursion into the stratified world of show cars in 1977, he has become very well known in the Thunderbird world. When he decided to leave the service station business a few years ago his mind naturally turned to the idea of making a business out of his hobby.

"I took a month off after I got out of the service station to figure out what to do next," he said. "Here I was 15 years out of college and I had to decide what I wanted to do with the rest of my life."

What he first settled on was a small automotive restoration business, specializing in interiors. "I didn't want to get into doing body and fender work and all the mechanical stuff," he went on.

Fate too had a hand here as Don went looking for a business location. "I'm into vintage pinball machines as well as Thunderbirds," he explained. "While looking for some parts for one that I was overhauling I came across a place that was going out of business and selling some shelving. The upshot of that sale was that I not only bought the shelves but took over the shop itself."

This quirk of fate two and a half years ago is how Johnson came to be in his present location on Cloverdale Avenue in Concord.

**CONTINUED ON NEXT PAGE...**

## Don Johnson's Thunderbird Headquarters Story Continued

Since the shop that he leased was really a lot bigger than he had planned on, Don had to do something else to fill the space. He pointed out that "At that time there were only a few places nationally that sold Thunderbird parts. I had the opportunity to buy out a guy in San Jose that had been selling me parts for my own restorations and that got me going in the parts business."

And having been a successful operator in the very competitive world of service stations, Don immediately set about building his place into one of the largest specialty automotive mail-order businesses in the country.

Five people are kept busy answering the toll-free calls that come in from all over the U.S.. "We have seven employees in all," he said. "We have a couple of guys pulling parts off the shelves and filling orders." His wife interrupted him to point out that another person had just been hired that day to answer phone requests for his free catalogs.

"The catalogs are really the heart of the mail-order business," he went on. "We've just gotten into the Ford Mustangs and it took me nine months to get the parts and price catalogs together and printed."

Don entered the Mustang business when he realized that, while there was only about 50,000 two-seater Ford Thunderbirds built during its three-year production span, the Mustang was produced from 1964 until 1973 and there were still millions of them on the streets.

"We made 5,800 T-Bird catalogs on our initial run and the orders for them stay steady year after year. We started with about 13,000 Mustang catalogs, and at the rate they are going out we expect to have to make another bunch very soon."

Johnson gives his catalogs away to anyone who asks for one on the premise that potential customers won't buy unless they know what he has. "Charging for a catalog drastically reduces the number of requests that a parts store receives," he notes.

I looked through his Mustang catalog and was astonished at the number of parts listed. It looked like a factory Ford catalog from the '60s. Johnson pointed out that he has all the parts in stock that he lists in his catalog for the Mustangs up to about 1970.

"It's hard to sell what you don't have so we have to keep a big stock on hand." A look at his shelves backed up this credo and I saw that in addition to engine, chassis and trim parts, Johnson carries a complete line of body panels including fenders, quarter panels, and interior pieces.

Does Johnson ever plan to change his operation over to cover another type of car besides the T-Bird and Mustang?

"I doubt it," he said. "With all those Mustangs that are still on the road, my grandson will probably be in the business on this same corner when I'm old and gray."

### Update, 40 years later:

We are now Thunderbird Headquarters, no longer selling Mustang Parts. Several years ago we found there were too many people getting into the Mustang parts business.

Instead, along with our complete parts department for the 1955-1957 "Baby Birds", we decided to continue our commitment to quality over quantity and began manufacturing and distributing parts for later model thunderbirds, years 1958 through 1972.

Sandy Johnson, Don's wife, along with our long-standing employees, are committed to keeping the business running just as it has for the past 40 years, providing the quality service our customers have come to know.

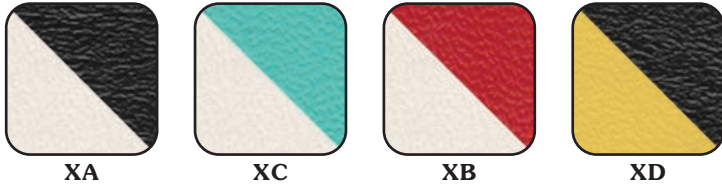
## 1955-57 CONTENTS

ACCESSORIES .....	11
BIG BIRD PARTS .....	99
BRAKES .....	19
BUMPERS.....	67
COOLING SYSTEM & FRONT GRILL .....	40
DASH & WINDSHIELD .....	48
DATA PLATE DECODER .....	97
DECALS & I.D. TAGS.....	17
DOORS & WINDOWS.....	73
ENGINE .....	33
EXHAUST SYSTEM.....	30
EXTERIOR TRIM.....	76
FASTENERS, FITTINGS & CLIPS .....	86
FRESH AIR SYSTEM.....	47
FRONT FENDERS & HOOD .....	63
FUEL SYSTEM .....	42
HARD & SOFT TOPS.....	80
HARDWARE KITS .....	90
HEATER, RADIO, & AIR CONDITIONING.....	71
IGNITION & ELECTRICAL SYSTEMS .....	51
INSTRUMENT CLUSTER.....	65
LITERATURE .....	9
LITHOGRAPHS .....	13
RADIOS.....	16
REAR AXLE & DRIVE TRAIN.....	29
REPAIR PANELS.....	14
SEALS, GASKETS, & WEATHERSTRIPPING .....	88
SEAT PARTS.....	85
SHOCK ABSORBERS .....	70
SOFT TOP RECOVERING KITS .....	84
SUSPENSION & STEERING .....	23
TRANSMISSION .....	37
TRUNK.....	78
UPHOLSTERY & INTERIOR.....	2
WHEELS & WHEEL ACCESSORIES .....	18
WINDSHIELD WIPERS & MIRRORS.....	66

We at Thunderbird Headquarters are proud to offer to you the most complete and authentic line of Thunderbird seat covers available anywhere. All of our covers are made from reproduced vinyls that are correct in color and grain. All of our covers carry a one year guarantee, (from date of sale), against defects in workmanship and materials. We feel that you will be as pleased as we are with our upholstery line. If you're not, simply return the uninstalled covers within 30 days for a prompt and cheerful refund.



1955



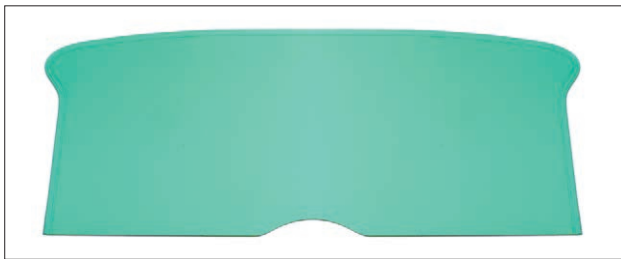
Vinyl Seat Covers

		<u>Trim</u>	
TSC55BK	Black / White.....	(XA or A)	359.00
TSC55GN	Green / White.....	(XC or C)	359.00
TSC55RD	Red / White.....	(XB or B)	359.00
TSC55YL	Yellow / Black.....	(XD or D)	359.00

••NOTE•• All seat cover sets include hinge booties and backrest wings.

Seat Foam

TSF55	.....	369.95
-------	-------	--------

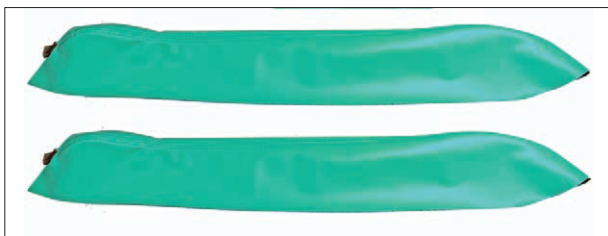


Backrest Cardboard

		<u>Trim</u>	
TBR55BK	Black.....	(XA or A)	47.20
TBR55GN	Green.....	(XC or C)	47.20
TBR55RD	Red.....	(XB or B)	47.20
HWK69	Seat backrest cardboard to seat, 48 pieces.....		7.25

Door Panels

		<u>Trim</u>	
TDP55WT	White.....		185.00
TDP55YL	Yellow.....	(XCD or D)	185.00
HWK71A	Door panel to door, 39 pieces, 1 side.....		8.95
HWK71B	Door panels to doors, 78 pieces, 2 sides.....		17.95



Arm Rest Covers

		<u>Trim</u>	
TAR55BK	Black.....	(XA or A)	45.00
TAR55GN	Green.....	(XC or C)	45.00
TAR55RD	Red.....	(XB or B)	48.00

Garnish Rail Set

		<u>Trim</u>	
TGC55BK	Black.....	(XA or A)	20.20
TGC55GN	Green.....	(XC or C)	20.20
TGC55RD	Red.....	(XB or B)	20.20

Welt Cord

		<u>Trim</u>	
TWC55BK	Black.....	(XA or A)	13.50
TWC55GN	Green.....		13.50
TWC55RD	Red.....	(XB or B)	13.50

Dash Cover

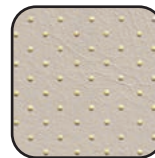
		<u>Trim</u>	
TDC55BK	Black.....	(XA or A)	55.00
TDC55GN	Green.....	(XC or C)	55.00
TDC55RD	Red.....	(XB or B)	55.00

Kick Panels

		<u>Trim</u>	
TKP55WT	White.....		92.50
TKP55YL	Yellow.....	(XD or D)	92.50

Quarter Trim Panels

		<u>Trim</u>	
TQP55WT	White.....		46.30
TQP55YL	Yellow.....	(XD or D)	46.30
31262	Tack strip, quarter panel, extruded vinyl, enough for both sides.....		4.95
HWK70	¼ panel cardboard chrome screw kit, 20 pieces.....		2.95



Bone



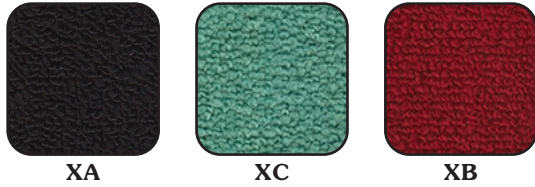
White

Headliners:

We offer both the bone (off-white) headliner, as original, or the pure white headliner. Both come with original style, crush finish wire-on.

HL4B	4 Bow bone.....	89.95
HL4W	4 Bow white.....	89.95
HL5B	5 Bow bone.....	89.95
HL5W	5 Bow white.....	89.95
HLWRB	Headliner wire-on only, original crush finish, bone.....	13.95
HLWRW	Headliner wire-on only, original crush finish, white.....	13.95
•HWK67	Hard top wire-on trim to top, 6 pieces.....	1.20

## 1955



### Carpet Trim

<b>TCP55BKR</b>	Black.....(XA or A, XD or D).	<b>146.50</b>
<b>TCP55BKRJ</b>	Black with jute padding.....(XA or A)	<b>173.50</b>
<b>TCP55GN</b>	Green.....(XC or C)	<b>146.50</b>
<b>TCP55GNJ</b>	Green with jute padding.....(XC or C)	<b>173.50</b>
<b>TCP55RDR</b>	Red.....(XB or B)	<b>146.50</b>
<b>TCP55RDRJ</b>	Red with jute padding.....(XB or B)	<b>173.50</b>
<b>TFPDS</b>	Floor sound deadening, under carpet, 4 pieces.....	<b>69.20</b>

### Vinyl Floor Cover

#### Trim

<b>TFC55BK</b>	Black.....(XA or A, XD or D)	<b>10.50</b>
<b>TFC55BKT</b>	Black with Tonneau cover.....(XA)	<b>24.50</b>
<b>TFC55GN</b>	Green.....(XC or C)	<b>10.50</b>
<b>TFC55GNT</b>	Green with Tonneau cover.....(XC or C)	<b>24.50</b>
<b>TFC55RD</b>	Red.....(XB or B)	<b>10.50</b>
<b>TFC55RDT</b>	Red with Tonneau cover.....(XB or B)	<b>24.50</b>

### Windlace Set

#### Trim

<b>TWL55BKC</b>	Black (cloth).....(XA or A)	<b>52.50</b>
<b>TWL55GN</b>	Green (cloth).....(XC or C)	<b>52.50</b>
<b>TWL55RDC</b>	Red (cloth).....(XB or B)	<b>52.50</b>

### Drop Curtain

#### Trim

<b>TDK55BK</b>	Black.....(XA or A)	<b>69.95</b>
<b>TDK55GN</b>	Green.....(XC or C)	<b>69.95</b>
<b>TDK55RD</b>	Red.....(XB or B)	<b>69.95</b>
<b>HWK74</b>	Drop curtain floor studs, 6 pieces.....	<b>8.95</b>

### Tonneau Cover/Drop Curtain Trim

<b>TTC55BK</b>	Black.....(XA or A)	<b>225.00</b>
<b>TTC55GN</b>	Green.....(XC or C)	<b>225.00</b>
<b>TTC55RD</b>	Red.....(XB or B)	<b>225.00</b>
<b>TTC55WT</b>	White.....	<b>225.00</b>

### Dash Aluminum:

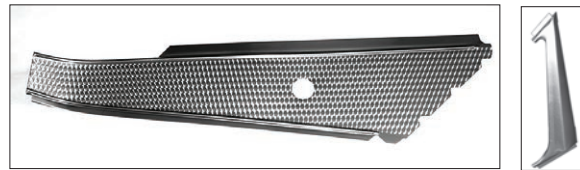
<b>04338AK</b>	Consists of all 4 dash aluminum pieces for the 55-56 models; 04392, 04393, 04338 & 06036.....	<b>320.50</b>
<b>•HWK102</b>	Dash aluminum to dash, 6 pieces.....	<b>1.34</b>
<b>04338A</b>	Dash aluminum trim, center, 55-56.....	<b>112.50</b>
<b>•HWK102</b>	Dash aluminum to dash, 6 pieces.....	<b>1.34</b>
<b>04358</b>	Plate, dash end cap, chrome, RH.....	<b>17.95</b>
<b>04359</b>	Plate, dash end cap, chrome, LH.....	<b>17.95</b>
<b>•HWK73</b>	04358/9 to dash, 4 pieces, 2 sides.....	<b>0.95</b>
<b>04392</b>	Dash aluminum trim, end, RH.....	<b>56.25</b>
<b>04393A</b>	Dash aluminum trim, LH, 55-56.....	<b>56.25</b>
<b>06036</b>	Glove box door aluminium trim, 55-57.....	<b>123.75</b>



### Thunderbird Rubber Floor Mats:

<b>ACC15A</b>	Black with White emblem, pair.....	<b>83.95</b>
<b>ACC15B</b>	Red with White emblem, pair.....	<b>83.95</b>
<b>ACC15C</b>	Blue with White emblem, pair.....	<b>83.95</b>
<b>ACC15F</b>	Peacock with White emblem, pair.....	<b>83.95</b>
<b>ACC15G</b>	Willow green with white emblem, pair.....	<b>83.95</b>

### Door Trim Aluminum:



<b>20920</b>	Molding "L" door trim, RH.....	<b>16.95</b>
<b>20921</b>	Molding "L" door trim, LH.....	<b>16.95</b>
<b>21166</b>	Panel, aluminum door trim finish, RH.....	<b>127.45</b>
<b>21167</b>	Panel, aluminum door trim finish, LH.....	<b>127.45</b>
<b>21167DC</b>	Panel, aluminum door trim finish, LH, die stamped for power seat switch.....	<b>133.90</b>



### Step Plates:

<b>13208C</b>	Step plate, RH door.....	<b>34.95</b>
<b>13209C</b>	Step plate, LH door.....	<b>34.95</b>
<b>•HWK18</b>	Step plates (13208/9) to body, cadmium, 16 pieces, 2 sides.....	<b>2.95</b>
<b>•HWK19</b>	Step plates (13208/9) to body, chrome, 16 pieces, 2 sides.....	<b>2.65</b>

### Complete Upholstery Kits

Each complete upholstery kit includes the following : seat covers, backrest cardboard, backrest wings, backrest booties, door panels, kick panels, quarter panel cardboard, windlace, arm rest covers, garnish rail covers, door panel beading, vinyl floorcover, dash cover ('55 & '56 only), drop curtain & carpet with jute padding.

#### Trim

<b>UPK55BK</b>	Black / White.....(XA or A)	<b>1095.00</b>
<b>UPK55GN</b>	Green / White.....(XC or C)	<b>1095.00</b>
<b>UPK55RD</b>	Red / White.....(XB or B)	<b>1095.00</b>
<b>UPK55Y</b>	Yellow / Black.....(XD or D)	<b>1095.00</b>
<b>IHWK55</b>	Interior hardware kit, 230 pieces.....	<b>47.50</b>

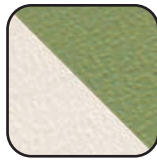
1956



XA



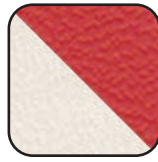
XG



XF



XC



XB



1956 Seat Emblem Embossment

• NOTE • All 56's and very early 57's were produced with embossments in the smooth center area of the seat back between the pleated inserts.

**Vinyl Seat Covers**

Trim

All seat cover sets include hinge booties and backrest wings.

<b>TSC56BK</b>	Black / White	(XA)	379.95
<b>TSC56BKE</b>	Black / White with Embossment	(XA)	409.95
<b>TSC56BS</b>	Tan / White	(XG)	379.95
<b>TSC56BSE</b>	Tan / White with Embossment	(XG)	409.95
<b>TSC56GN</b>	Sage Green / White	(XF)	379.95
<b>TSC56GNE</b>	Sage Green / White with Embossment	(XF)	409.95
<b>TSC56PK</b>	Peacock Blue / White	(XC)	379.95
<b>TSC56PKE</b>	Peacock Blue / White with Embossment	(XC)	409.95
<b>TSC56RD</b>	Red / White	(XB)	379.95
<b>TSC56RDE</b>	Red / White with Embossment	(XB)	409.95

• NOTE • All seat cover sets include hinge booties and backrest wings.

**Seat Foam**

<b>TSF56</b>		369.95
--------------	--	--------

**Backrest Cardboard**

Trim

<b>TBR56BK</b>	Black	(XA)	47.20
<b>TBR56BS</b>	Tan	(XG)	47.20
<b>TBR56GN</b>	Sage Green	(XF)	47.20
<b>TBR56PK</b>	Peacock blue	(XC)	47.20
<b>TBR56RD</b>	Red	(XB)	47.20

**Door Panels**

Trim

<b>TDP56WT</b>	White	185.00
----------------	-------	--------

**Arm Rest Covers**

Trim

<b>TAR55BK</b>	Black	(XA)	45.00
<b>TAR56BS</b>	Tan	(XG)	45.00
<b>TAR56GN</b>	Sage Green	(XF)	45.00
<b>TAR56PK</b>	Peacock Blue	(XC)	45.00
<b>TAR56RD</b>	Red	(XB)	45.00

**Garnish Rail Set**

Trim

<b>TGC55BK</b>	Black	(XA)	20.20
<b>TGC56BS</b>	Tan	(XG)	20.20
<b>TGC56GN</b>	Sage Green	(XF)	20.20
<b>TGC56PK</b>	Peacock Blue	(XC)	20.20
<b>TGC56RD</b>	Red	(XB)	20.20

**Welt Cord**

Trim

<b>TWC55BK</b>	Black	(XA)	13.50
<b>TWC56BS</b>	Tan	(XG)	13.50
<b>TWC56GN</b>	Sage Green	(XF)	13.50
<b>TWC56PK</b>	Peacock Blue	(XC)	13.50
<b>TWC56RD</b>	Red	(XB)	13.50

**Kick Panels**

Trim

<b>TKP56WT</b>	White	ALL	92.45
----------------	-------	-----	-------

**Quarter Trim Panel**

Trim

<b>TQP56BK</b>	Black	(XA)	46.30
<b>TQP56BS</b>	Tan	(XG)	46.30
<b>TQP56GN</b>	Sage Green	(XF)	46.30
<b>TQP56PK</b>	Peacock Blue	(XC)	46.30
<b>TQP56RD</b>	Red	(XB)	46.30

**Dash Cover**

Trim

<b>TDC55BK</b>	Black	(XA)	55.00
<b>TDC56BS</b>	Tan	(XG)	55.00
<b>TDC56GN</b>	Sage Green	(XF)	55.00
<b>TDC56PK</b>	Peacock Blue	(XC)	55.00
<b>TDC56RD</b>	Red	(XB)	55.00

**Headliners:**

We offer both the bone (off-white) headliner, as original, or the pure white headliner. Both come with original style, crush finish wire-on.

<b>HL4B</b>	4 Bow bone	89.95
<b>HL4W</b>	4 Bow white	89.95
<b>HL5B</b>	5 Bow bone	89.95
<b>HL5W</b>	5 Bow white	89.95
<b>HLWRB</b>	Headliner wire-on only, original crush finish, bone	13.95
<b>HLWRW</b>	Headliner wire-on only, original crush finish, white	13.95
<b>HWK67</b>	Hard top wire-on trim to top, 6 pieces	1.20



## 1956



XA



XG



XF



XC



XB

### Carpet

		<u>Trim</u>	
TCP56BKR	Black .....	(XA)	146.50
TCP56BKRJ	Black with Jutte padding .....	(XA)	173.50
TCP56BS	Brown .....	(XG)	146.50
TCP56BSJ	Brown with Jutte padding.....	(XG)	173.50
TCP56GN	Sage Green.....	(XF)	146.50
TCP56GNJ	Sage Green with Jutte padding.....	(XF)	173.50
TCP56PKR	Peacock Blue.....	(XC)	146.50
TCP56PKRJ	Peacock Blue with Jutte padding .....	(XC)	173.50
TCP56RDR	Red .....	(XB)	146.50
TCP56RDRJ	Red with Jutte padding.....	(XB)	173.50
TFPDS:	Floor sound deadening, under carpet, 4 piece set.....		69.20

### Vinyl Floor Cover

		<u>Trim</u>	
TFC56BK	Black.....	(XA)	10.50
TFC56BKT	Black (with Tonneau cover) .....	(XA)	24.50
TFC56BS	Tan .....	(XG)	10.50
TFC56BST	Tan (with Tonneau cover).....	(XG)	24.50
TFC56GN	Sage Green.....	(XF)	10.50
TFC56GNT	Sage Green (with Tonneau cover) .....	(XF)	24.50
TFC56PK	Peacock Blue.....	(XC)	10.50
TFC56PKT	Peacock Blue (with Tonneau cover).....	(XC)	24.50
TFC56RD	Red .....	(XB)	10.50
TFC56RDT	Red (with Tonneau cover).....	(XB)	24.50

### Windlace Set

		<u>Trim</u>	
TWL56BKC	Black (cloth).....	(XA)	52.50
TWL56BS	Tan (cloth) .....	(XG)	52.50
TWL56GNC	Sage Green (cloth).....	(XF)	52.50
TWL56PKC	Peacock Blue (cloth).....	(XC)	52.50
TWL56RDC	Red (cloth) .....	(XB)	52.50

### Sun Visor

		<u>Trim</u>	
04104A	White .....	ALL	176.50

### Drop Curtain

		<u>Trim</u>	
TDK55BK	Black .....	(XA)	69.95
TDK56BS	Tan .....	(XG)	69.95
TDK56GN	Sage Green.....	(XF)	69.95
TDK56PK	Peacock Blue.....	(XC)	69.95
TDK56RD	Red .....	(XB)	69.95

### Tonneau Cover / Drop Curtain

		<u>Trim</u>	
TTC55BK	Black.....	(XA)	225.00
TTC56BS	Tan .....	(XG)	225.00
TTC56GN	Sage Green.....	(XF)	225.00
TTC56PK	Peacock Blue.....	(XC)	225.00
TTC56RD	Red .....	(XB)	225.00

### Dash Aluminum:

04338AK	Consists of all 4 dash aluminum pieces for the 55-56 models; 04392, 04393, 04338 & 06036.....		320.50
•HWK102	Dash aluminum to dash, 6 pieces .....		1.34
04338A	Dash aluminum trim, center, 55-56 .....		112.50
•HWK102	Dash aluminum to dash, 6 pieces .....		1.34
04358	Plate, dash end cap, chrome, RH.....		17.95
04359	Plate, dash end cap, chrome, LH.....		17.95
•HWK73	04358/9 to dash, 4 pieces, 2 sides.....		0.95
04392	Dash aluminum trim, end, RH.....		56.25
04393A	Dash aluminum trim, LH, 55-56 .....		56.25
06036	Glove box door aluminium trim, 55-57 .....		123.75

### Door Trim Aluminum:



20920	Molding "L" door trim, RH .....		16.95
20921	Molding "L" door trim, LH.....		16.95
21166	Panel, aluminum door trim finish, RH.....		127.45
21167	Panel, aluminum door trim finish, LH .....		127.45
21167DC	Panel, aluminum door trim finish, LH, die stamped for power seat switch .....		133.90

### Step Plates:

13208C	Step plate, RH door .....		34.95
13209C	Step plate, LH door.....		34.95
•HWK18	Step plates (13208/9) to body, cadmium, 16 pieces, 2 sides .....		2.95
•HWK19	Step plates (13208/9) to body, chrome, 16 pieces, 2 sides .....		2.65

### Complete Upholstery Kits

Each complete upholstery kit includes the following : seat covers, backrest cardboard, backrest wings, backrest booties, door panels, kick panels, quarter panel cardboard, windlace, arm rest covers, garnish rail covers, door panel beading, vinyl floorcover, dash cover ('55 & '56 only), drop curtain & carpet with jute padding.

		<u>Trim</u>	
UPK56BK	Black / White .....	(XA)	1108.00
UPK56BKE	Black / White with Embossment.....	(XA)	1128.00
UPK56BS	Tan / White .....	(XG)	1108.00
UPK56BSE	Tan / White with Embossment .....	(XG)	1128.00
UPK56GN	Sage Green / White.....	(XF)	1108.00
UPK56GNE	Sage Green / White with Embossment ...	(XF)	1128.00
UPK56PK	Peacock Blue / White .....	(XC)	1108.00
UPK56PKE	Peacock Blue / White with Embossment ..	(XC)	1128.00
UPK56RD	Red / White .....	(XB)	1108.00
UPK56RDE	Red / White with Embossment .....	(XB)	1128.00



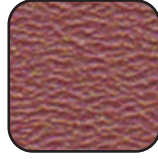
1957



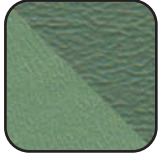
XA



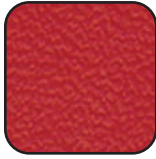
XL



XJ



XM



XH



XK



1957 Emblem

NOTE: Early 57's were produced with embossments in the smooth center area of the seat back between the pleated inserts.

**Vinyl Seat Covers**

		<u>Trim</u>	
TSC57BK	Black / White .....	XA.....	<b>379.95</b>
TSC57BKE	Black / White with Embossment.....	XA.....	<b>409.95</b>
TSC57BU	Two Tone Blue.....	XL.....	<b>379.95</b>
TSC57BUE	Two Tone Blue with Embossment .....	XL.....	<b>409.95</b>
TSC57BZ	Bronze .....	XJ.....	<b>379.95</b>
TSC57BZE	Bronze with Embossment .....	XJ.....	<b>409.95</b>
TSC57GN	Two Tone Green .....	XM.....	<b>379.95</b>
TSC57GNE	Two Tone Green with Embossment.....	XM.....	<b>409.95</b>
TSC57RD	Red .....	XH.....	<b>379.95</b>
TSC57RDE	Red with Embossment.....	XH.....	<b>409.95</b>
TSC57WT	White .....	XK.....	<b>379.95</b>
TSC57WTE	White with Embossment .....	XK.....	<b>409.95</b>

••NOTE•• All seat cover sets include hinge booties and backrest wings.

**Seat Foam**

TSF57	.....	<b>369.95</b>
-------	-------	---------------

**Backrest Cardboard**

		<u>Trim</u>	
TBR55BK	Black .....	XA.....	<b>47.20</b>
TBR57BU	Blue .....	XL.....	<b>47.20</b>
TBR57BZ	Bronze .....	XJ.....	<b>47.20</b>
TBR57GN	Green.....	XM.....	<b>47.20</b>
TBR55RD	Red.....	XH.....	<b>47.20</b>
TBR57WT	White .....	XK.....	<b>47.20</b>

**Door Panels**

		<u>Trim</u>	
TDP57BU	Blue .....	XL.....	<b>230.00</b>
TDP57BZ	Bronze .....	XJ.....	<b>230.00</b>
TDP57GN	Green.....	XM.....	<b>230.00</b>
TDP57RD	Red .....	XH.....	<b>230.00</b>
TDP57WT	White .....	XK.....	<b>230.00</b>

**Arm Rest Covers**

		<u>Trim</u>	
TAR57BK	Black.....	XA.....	<b>45.00</b>
TAR57BU	Blue .....	XL.....	<b>45.00</b>
TAR57BZ	Bronze .....	XJ.....	<b>45.00</b>
TAR57GN	Green.....	XM.....	<b>45.00</b>
TAR57RD	Red .....	XH.....	<b>45.00</b>
TAR57WT	White .....	XK.....	<b>45.00</b>

**Garnish Rail Set**

		<u>Trim</u>	
TGC57BK	Black.....	XA.....	<b>20.20</b>
TGC57BU	Blue .....	XL.....	<b>20.20</b>
TGC57BZ	Bronze .....	XJ.....	<b>20.20</b>
TGC57GN	Green.....	XM.....	<b>20.20</b>
TGC57RD	Red .....	XH.....	<b>20.20</b>
TGC57WT	White .....	XK.....	<b>20.20</b>

**Welt Cord**

		<u>Trim</u>	
TWC57BK	Black.....	XA.....	<b>13.50</b>
TWC57BU	Blue .....	XL.....	<b>13.50</b>
TWC57BZ	Bronze .....	XJ.....	<b>13.50</b>
TWC57GN	Green.....	XM.....	<b>13.50</b>
TWC57RD	Red .....	XH.....	<b>13.50</b>
TWC57WT	White .....	XK.....	<b>13.50</b>

**Kick Panels**

		<u>Trim</u>	
TKP57BU	Blue .....	XL.....	<b>110.00</b>
TKP57BZ	Bronze .....	XJ.....	<b>110.00</b>
TKP57GN	Green.....	XM.....	<b>110.00</b>
TKP57RD	Red .....	XH.....	<b>110.00</b>
TKP57WT	White .....	XK.....	<b>110.00</b>

**Quarter Trim Panels**

		<u>Trim</u>	
TQP57BK	Black.....	XA.....	<b>46.30</b>
TQP57BU	Blue .....	XL.....	<b>46.30</b>
TQP57BZ	Bronze .....	XJ.....	<b>46.30</b>
TQP57GN	Green.....	XM.....	<b>46.30</b>
TQP57RD	Red .....	XH.....	<b>46.30</b>
TQP57WT	White .....	XK.....	<b>46.30</b>

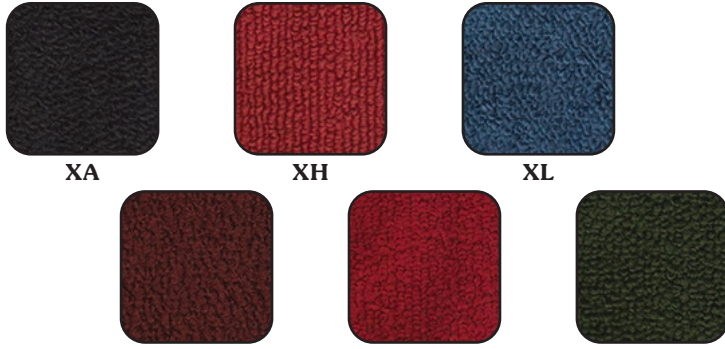
**Dash Pad**

		<u>Trim</u>	
04290D	Black.....	XA.....	<b>481.95</b>
04290E	White .....	XK.....	<b>481.95</b>
04290F	Red .....	XH.....	<b>481.95</b>
04290G	Green.....	XM.....	<b>481.95</b>
04290H	Bronze .....	XJ.....	<b>481.95</b>
04290J	Blue .....	XL.....	<b>481.95</b>

**Headliners:**

We offer both the bone (off-white) headliner, as original, or the pure white headliner. Both come with original style, crush finish wire-on.

HL4B	4 Bow bone .....	<b>89.95</b>
HL4W	4 Bow white.....	<b>89.95</b>
HL5B	5 Bow bone .....	<b>89.95</b>
HL5W	5 Bow white.....	<b>89.95</b>
HLWRB	Headliner wire-on only, original crush finish, bone.....	<b>13.95</b>
HLWRW	Headliner wire-on only, original crush finish, white.....	<b>13.95</b>
•HWK67	Hard top wire-on trim to top, 6 pieces .....	<b>1.20</b>



Carpet		Trim	
TCP56BKR	Black	XA	146.50
TCP56BKRJ	Black with Jutte padding	XA	173.50
TCP57BTRD	Bright Red	XH	146.50
TCP57BTRDJ	Bright Red with Jutte padding	XH	173.50
TCP57BUR	Blue	XL	146.50
TCP57BURJ	Blue with Jutte padding	XL	173.50
TCP57BZ	Bronze	XJ	146.50
TCP57BZJ	Bronze with Jutte padding	XJ	173.50
TCP57DRD	Dark Red	XH	146.50
TCP57DRDJ	Dark Red with Jutte padding	XH	173.50
TCP57GN	Green	XM	146.50
TCP57GNJ	Green with Jutte padding	XM	173.50

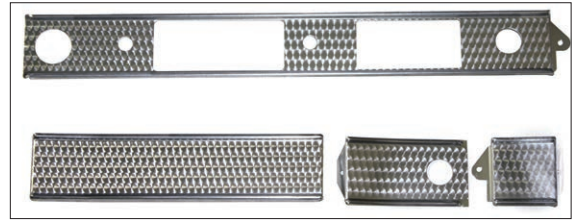
Vinyl Floor Cover		Trim	
TFC57BK	Black	XA	24.50
TFC57BU	Blue	XL	24.50
TFC57BZ	Bronze	XJ	24.50
TFC57GN	Green	XM	24.50
TFC57RD	Red	XH	24.50
TFC57WT	White	XK	24.50

Windlace Set		Trim	
TWL57BU	Blue	XL	42.00
TWL57BZ	Bronze	XJ	42.00
TWL57GN	Green	XM	42.00
TWL57RD	Red	XH	42.00
TWL57WT	White	XK	42.00

Sun Visors		Trim	
04104BB	Blue	XL	176.50
04104BG	Green	XM	176.50
04104BR	Red	XH	176.50
04104BW	White	XK	176.50
04104BZ	Bronze	XJ	176.50

Drop Curtain		Trim	
TDK57BK	Black	XA	69.95
TDK57BU	Blue	XL	69.95
TDK57BZ	Bronze	XJ	69.50
TDK57GN	Green	XM	69.95
TDK57RD	Red	XH	69.95
TDK57WT	White	XK	69.95

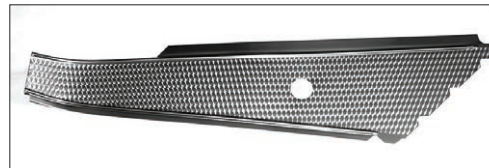
Tonneau/Drop Curtain		Trim	
TTC57BK	Black	XA	225.00
TTC57BU	Blue	XL	225.00
TTC57BZ	Bronze	XJ	225.00
TTC57GN	Green	XM	225.00
TTC57RD	Red	XH	225.00
TTC57WT	White	XK	225.00



### Dash Aluminum:

•HWK102	Dash aluminum to dash, 6 pieces	1.34
04338B	Dash aluminum trim, center, 57	112.50
04338BK	Consists of 4 dash aluminum pieces for 57 models; 04392, 04393, 04338 & 06036	320.60
04338CK	Consists of 5 dash aluminum pieces for 57 models; 04392, 04393, 04338, 04438 & 06036	444.45
•HWK102	Dash aluminum to dash, 6 pieces	1.34
04358	Plate, dash end cap, chrome, RH	17.95
04359	Plate, dash end cap, chrome, LH	17.95
•HWK73	04358/9 to dash, 4 pieces, 2 sides	0.95
04392	Dash aluminum trim, end, RH	56.25
04393B	Dash aluminum trim, LH, 57	56.25
04438	Dash cluster aluminum trim, 57	127.45
06036	Glove box door aluminium trim, 55-57	123.75

### Door Trim Aluminum:



20920	Molding "L" door trim, RH	16.95
20921	Molding "L" door trim, LH	16.95
21166	Panel, aluminum door trim finish, RH	127.45
21167	Panel, aluminum door trim finish, LH	127.45
21167DC	Panel, aluminum door trim finish, LH, die stamped for power seat switch	133.90

### Step Plates:

13208C	Step plate, RH door	34.95
13209C	Step plate, LH door	34.95
•HWK18	Step plates (13208/9) to body, cadmium, 16 pcs., 2 sides	2.95
•HWK19	Step plates (13208/9) to body, chrome, 16 pcs., 2 sides	2.65

### Complete Upholstery Kits

Each complete upholstery kit includes the following: seat covers, backrest cardboard, backrest wings, backrest booties, door panels, kick panels, quarter panel cardboard, windlace, arm rest covers, garnish rail covers, door panel beading, vinyl floorcover, dash cover ('55 & '56 only), drop curtain & carpet with jute padding.

	Trim	
UPK57BK	Black / White	XA 1108.00
UPK57BKE	Black / White with Embossment	XA 1128.00
UPK57BU	Two Tone Blue	XL 1108.00
UPK57BUE	Two Tone Blue with Embossment	XL 1128.00
UPK57BZ	Bronze	XJ 1108.00
UPK57BZE	Bronze with Embossment	XJ 1128.00
UPK57GN	Two Tone Green	XM 1108.00
UPK57GNE	Two Tone Green with Embossment	XM 1128.00
UPK57RD	Red	XH 1108.00
UPK57RDE	Red with Embossment	XH 1128.00
UPK57WT	White	XK 1108.00
UPK57WTE	White with Embossment	XK 1128.00



# AcoustiSHIELD®

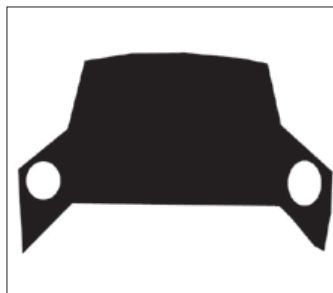
Roof to Road Solutions to Control Automotive Noise, Vibration and Heat



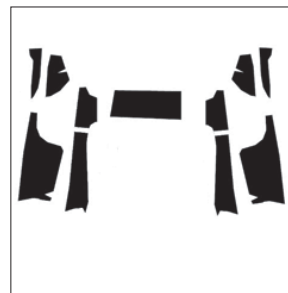
Floor Kit



Cowl Kit



Roof Kit



Body Kit

**NEW – AcoustiSHIELD kits.** Current technology in automotive design incorporates sound control systems and acoustic materials throughout the vehicle - from the engine bay to the trunk compartment. The purpose of these materials is to dampen, insulate and absorb the heat, cold and noise from the passenger compartment. In a typical luxury sedan, there is approximately 100 pounds of sound and heat control material incorporated into the interior body work of the vehicle. Its primary mission is to protect the passenger cabin from external noise. The ultimate goal is to create a "sound proof box."

By using the AcoustiSHIELD materials during the restoration or custom car building process you can soften the ride, deaden the noise, isolate the mechanical source of heat and control the forces of the external environment. All of these remedies are easily hidden behind upholstery panels.

<b>Q55AK</b>	55-56 insulation kit, contains floor, roof, kick panel, under dash, body, trunk and door kits.....	764.00
<b>Q57AK</b>	57 insulation kit, contains floor, roof, kick panel, under dash, body, trunk and door kits.....	764.00
<b>Q55B</b>	55-56 body insulation kit.....	163.00
<b>Q57B</b>	57 body insulation kit.....	163.00
<b>Q55C</b>	55-57 firewall insulation kit.....	278.00
<b>Q55E</b>	55-56 kick panel and under dash insulation kit.....	103.00
<b>Q57E</b>	57 kick panel and under dash insulation kit.....	103.00
<b>Q55F</b>	55-56 floor insulation kit.....	208.00
<b>Q57F</b>	57 floor insulation kit.....	208.00
<b>Q55T</b>	55-56 trunk insulation kit.....	145.00
<b>Q57T</b>	57 trunk insulation kit.....	135.00
<b>Q55R</b>	55-56 roof (headliner) insulation kit.....	135.00
<b>Q57R</b>	57 roof (headliner) insulation kit.....	135.00
<b>QDP</b>	55-57 universal door insulation kit.....	67.00

# AcoustiHOOD



**Quiet Ride AcoustiHood:**  
**3D molded hood or trunk covers. Tough high temperature ABS cover with heatshield insulation panels, precut and ready to install. Instructions included.**

<b>T57ABSH</b>	55-57 hood insulation kit.....	269.00
<b>T55ABST</b>	55 trunk insulation kit.....	159.95



LIT1A



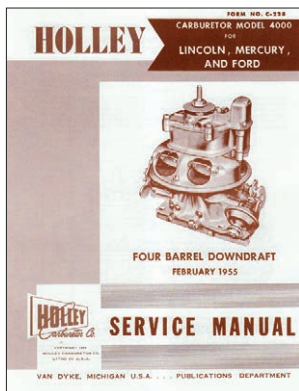
LIT1B



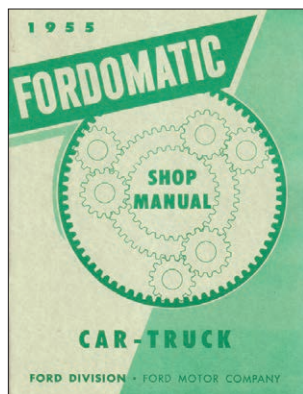
LIT1C

- LIT1 Owners Manuals:** Reprints of the originals, which fit in the glove box as originally supplied.
- LIT1A Owners Manual, 55 .....11.00
  - LIT1B Owners Manual, 56 .....11.00
  - LIT1C Owners Manual, 57 .....11.00

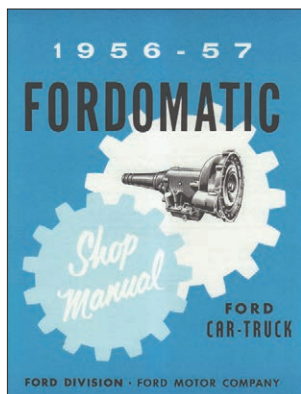
- LIT2 Radio Service Manuals:** Reprints of the original schematics.
- LIT2A Radio Manual, 55 .....4.95
  - LIT2B Radio Manual, 56 .....4.95
  - LIT2C Radio Manual, 57 .....6.85



- LIT3 Holly Carburetor Manuals:** Reprints of the original showing parts breakdown.
- LIT3A Carburetor Manual, 55 .....18.75
  - LIT3B Carburetor Manual, 56 .....18.75
  - LIT3C Carburetor Manual, 57 .....18.75
- NOTE•• The 1956 manual is a supplement to the 1955 manual. For 1956 coverage, you will need the 1955 and 1956 manuals.



- LIT4 Ford-O-Matic Transmission Manual:** A complete manual
- LIT4A Transmission Manual, 55 .....18.95
  - LIT4B Transmission Manual, 56-57 .....18.95



LIT5A



LIT5B

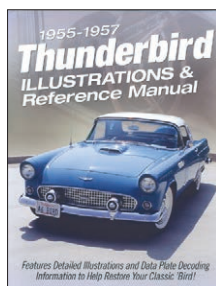


LIT5E



LIT5C

- LIT5 Sales Brochure:** Reprints of original Ford Sales Brochures.
- LIT5A 55, 4 pages, 2-color .....2.95
  - LIT5AA 55, 6 pages, multicolor .....12.95
  - LIT5B 56, 6 pages, multicolor .....9.95
  - LIT5C 57, 4 page foldout, multicolor .....9.95
  - LIT5D 55, 12 pages, multicolor .....19.95
  - LIT5E 56, 16 pages, multicolor .....19.95
  - LIT5F 57, 16 pages, multicolor .....19.95



LIT6



LIT7

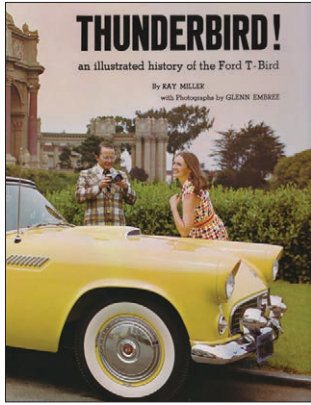


LIT8

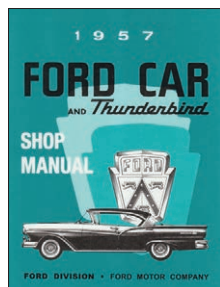
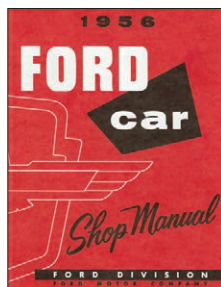
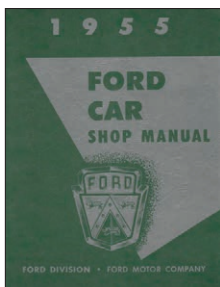
- LIT6 1955-57 Thunderbird Illustrated Parts Manual:** A must for the Thunderbird owner. This illustration and reference manual is 123 pages packed with full page illustrations/line drawings of the 1955-57 Thunderbirds .....12.85
- LIT7 Electrical Manual:** A complete manual showing wiring diagrams and wiring codes for all three years .....19.99
- LIT8 Trim & Sealer Manual:** A complete manual showing installation of all trim pieces, including the interior as well as sound deadeners & sealer application .....19.99
- LIT9 Soft Top Illustration:** Brochure covering soft top assembly .....2.50
- LIT10 Wire Wheel Illustration:** Illustrated brochure of simulated wire wheel installation .....2.95
- LIT11 Distributor Manual:** Detailed manual for rebuilding or working on your distributor .....14.95
- LIT12 Supercharger Manual:** Comprehensive manual covering the Ford Supercharger and its related parts .....16.95

**See Our Complete  
Weatherstripping Selection  
on Page 88.**

- LIT14 **Service Letters:** A compilation of all service letters sent out by Ford Motor Company on the early Thunderbirds.....18.00
- LIT15 **Specification Manual:** A complete manual on all of the specifications of the Thunderbird
- LIT15A 55.....18.00
- LIT15B 57.....18.00
- LIT16 **Tech Tips:** CTCI recommended tech tips.....9.95



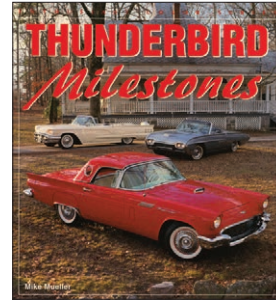
- The Ford Road Series:** By Ray Miller. Each book is an illustrated history of its subject with approximately 1,000 photographs and illustrations.
- LIT17A **Thunderbird!:** An illustrated history of the Ford Thunderbird, 304 pages, 1089 photos and charts.....59.95
  - LIT17B **Mustang Does It:** An illustrated history of the Ford Mustang, 320 pages, 1100 photos and charts .....59.95
  - LIT17C **From Here to Obscurity:** An illustrated history of the Model T Ford, 300 pages, 996 photos and charts .....59.95
  - LIT17D **Henry's Lady:** An illustrated history of the Model A Ford, 302 pages, 1029 photos and charts .....59.95
  - LIT17E **The V-8 Affair:** An illustrated history of the prewar Ford, 303 pages, 990 photos and charts.....59.95
  - LIT17F **The Nifty Fifties:** An illustrated history of the post-war Fords, 320 pages, 1320 photos and charts.....59.95



- LIT18 **Shop Manuals:** Complete repair manuals.
- LIT18A Shop Manual, 55, 341 pages.....29.95
- LIT18B Shop Manual, 56, 367 pages.....29.95
- LIT18C Shop Manual, 57, 395 pages.....29.95

**Wiring Schematic Supplement:**

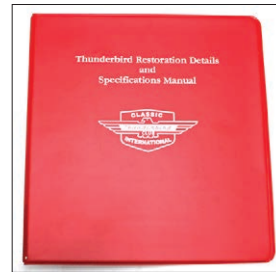
- LIT20A 14" x 34" wiring schematic diagram, 55 .....10.00
- LIT20B 14" x 34" wiring schematic diagram, 56 .....10.00
- LIT20C 14" x 34" wiring schematic diagram, 57 .....10.00
- LIT20D 14" x 34" wiring diagram with Dial-O-Matic seat.....10.00



LIT25

**LIT25 Thunderbird Milestones:**

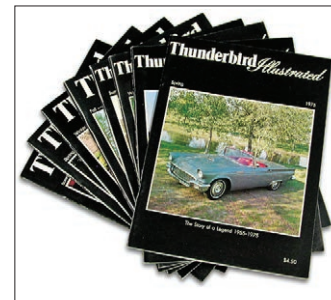
From the first models of 1955 to 1997, **Thunderbird Milestones** explores the design changes, technical decisions, and marketing strategies that made the T-Bird into Ford's signature car for more than 40 years..... 14.95



LIT28

**LIT28 CTCI Restoration Details and Specifications:**

This is THE document for every owner of a Classic Thunderbird. This collection includes 470 - 8½" x 11" pages of detailed, color photographs and explanations of every parts assembly on a stock 1955 to 1957 T-Bird. CTCI's standard setting manual includes the original Restoration and Specifications Manual, all of the Addendums from "A" (1995) to "J" (2013) and 2 custom CTCI three ring binders A must have for anyone contemplating a restoration of a Classic Thunderbird or even just upgrading your own T-Bird. It is just as easy to rebuild and paint that assembly correctly as it is to do it incorrectly plus the work looks more professional when completed. .... 185.00



LIT 30

**LIT30 Thunderbird Illustrated Magazines:**

This is a set of 8 magazines from the fall issue of 1974 to the spring issue of 1975. This set is a real collector's item and a **must** for the Thunderbird enthusiast. Some of the articles include such motion picture and television cars as the "American Graffiti" 1956 that Suzanne Somers drove to the 1956 seen on the TV series "Movin' On", the 1957 from the "Matt Helm" TV series and the George Barris 1964 custom for the "Munsters" TV series. Special articles can also be found on cars such as the one of kind 1960 stainless steel model built for Ford by the Allegheny Ludlum Steel Company, Arthur Ahlstone's dual carb "E" model 1957, the "Ford Mexico" experimental car, Sport Roadsters, Super Charged "F" models and many more. This set of 8 has 388 packed pages with over 105 color and 400 black and white photographs.....89.00



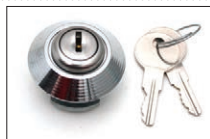
**Top Lock**

- ACC1 Top Lock**, replaces rear clamp fastener bullet with longer bullet that receives a padlock inside trunk with instructions. Does not include padlock.
- ACC1A** 1955.....11.95
  - ACC1B** 1956.....11.95
  - ACC1C** 1957.....11.95



**Top Lock - bullet type**

- ACC2 Top Lock**, bullet type with brass padlock.
- ACC2A** 1955.....29.95
  - ACC2B** 1956.....29.95
  - ACC2C** 1957.....29.95



**Transmission Lock**

- ACC3 Transmission Lock**, fits into slot of automatic shifting housing, prevents shifter from being taken out of park ..29.95
- ACC4 Skirt Lock**, easy to install, only one hole needs to be drilled in 1 skirt bracket, does not include padlock, pair.....11.25
- ACC5 ZDPP oil additive:** an oil supplement that contains very high concentrations of the well-known additive ZDDP, which has been the primary extreme pressure ingredient in all quality motor oils for over 70 years.....10.95



**ACC7C**



**ACC8D**

**Plug N' Chug**, installs in ashtray's place

- ACC7A** Black.....60.97
- ACC7B** Red.....60.97
- ACC7C** 57 Light Blue .....60.97
- ACC7D** 57 Light Green.....60.97

**Drink Caddy**

- ACC8A** Black.....223.95
- ACC8B** Red.....223.95
- ACC8C** 57 Light Blue .....223.95
- ACC8D** 57 Light Green.....223.95



**ACC4CTB**

- ACC14 License Plate Frames:** With the year of your Thunderbird.
- ACC14A** 1955, pair .....15.95
  - ACC14B** 1956, pair .....15.95
  - ACC14C** 1957, pair .....15.95
  - ACC14CTB** Classic Thunderbird, pair .....15.95

**ACC9 Top Hoist**, makes removing or installing your hardtop an easy job by yourself.....86.95



**ACC12**



**ACC12E**



**ACC12F**



**ACC12L**



**ACC12M**

**ACC12 Fender Cover**

These large, 26" x 40" foam backed black vinyl fender covers are a must for protecting your fenders.

- ACC12** Thunderbird emblem.....31.95
- ACC12E** Edsel emblem .....27.95
- ACC12F** Ford emblem .....27.95
- ACC12L** Lincoln emblem.....27.95
- ACC12M** Mercury emblem.....27.95

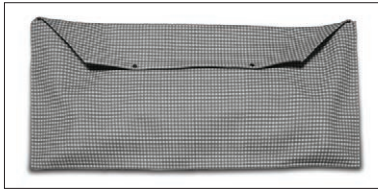
**ACC13 Car Covers:** All car covers are water repellent and have elastic sewn around the corners.

- ACC13A** Car cover, soft polycotton, 55.....210.73
- ACC13B** Car cover, soft polycotton, 56.....210.73
- ACC13C** Car cover, soft polycotton, 57.....210.73
- ACC13D** Car cover, super soft, flannel backed material, 55 .....228.79
- ACC13E** Car cover, super soft, flannel backed material, 56 .....228.79
- ACC13F** Car cover, super soft, flannel backed material, 57 .....228.79
- ACC13G** Storage bag for car cover.....10.95
- ACC13H** Cable and lock for car cover.....15.95



**Thunderbird Rubber Floor Mats:**

- ACC15A** Black with White emblem, pair .....83.95
- ACC15B** Red with White emblem, pair .....83.95
- ACC15C** Blue with White emblem, pair .....83.95
- ACC15F** Peacock with White emblem, pair.....83.95
- ACC15G** Willow green with white emblem, pair .....83.95



**ACC23D-55 Fender Skirt Bag:** burtex trunk mat, large enough for one pair of fender skirts .....49.95



**ACC23A**



**ACC23B**



**ACC23C**

- ACC23 Trunk Storage Bags**, matches Burtex trunk mat material
- ACC23A** Small, 8" x 15" .....12.95
  - ACC23B** Medium, 10" x 15" .....14.95
  - ACC23C** Large, 16" x 20" .....16.95



**TC55 Spare Tire Cover**, Burtex trunk mat material, 55 .....42.95



**Style 1      Style 2      24T**

- Seat Belts**, replacement, with mounting hardware.
- ACC24A** Black (2).....32.95
  - ACC24B** Red (2).....32.95
  - ACC24D** Medium blue (2).....32.95
  - ACC24E** Maroon (2).....49.95
  - ACC24J** Fiesta red (2) .....32.95
  - ACC24K** Peacock blue (2) .....32.95
  - ACC24M** White (2) .....32.95
  - ACC24N** Dark green, 1957 (2).....32.95
  - ACC24R** Red (1).....19.95
  - ACC24T** Retractor.....9.95
- NOTE•• Seat belts are priced per person
- ACC24U** Lap belt under-body reinforcement plate set,  
1 per belt required.....29.50

**ACC28A Trailer Tie Down**  
Protect your Thunderbird. This heavy duty ratchet tie down is manufactured of heavy duty webbing strap and heavy duty ratchet assembly with snap hooks on both ends. Our tie down has a 1600 lb. load strength and 5000 lb. breaking strength. You can't afford to trailer your Thunderbird without one.....24.95

**ACC28B Trailer Tie Down**  
Deluxe tie down assembly. This model has more cross stitching on the webbing straps, heavier ratchet assembly and a stronger snap hook on both ends. Load strength of this model is 3,300 lb. and 10,000 lb. breaking strength.....29.95

**ACC28C Axle Strap**  
Our 18 inch heavy duty webbing strap has a load strength of 3,300 lb. and a breaking strength of 10,000 lb. ....12.50

**ACC32 Thunderbird Bra**  
Protects nose panel and grill area. This bra *installs easily* with soft padded aluminum tabs that hold it snugly in place. The backing is made of an extremely soft cotton/polyester material for maximum protection.

**ACC32A** 55-56.....99.95

**ACC32B** 57.....99.95

**ACC34B Radiator Coolant Overflow Tank**  
Designed by CASCO specifically for your Early Bird. Adds almost 2 extra quarts of coolant to your cooling system and helps remove dissolved gases. Easy installation even on cars equipped with air conditioning. Coolant level can be checked hot just like your late model car. Installation: loosen two existing bolts, slide tank into place, tighten bolts, hook up flexible tubing, and fill with coolant. Kit comes with tank, CNC machined Thunderbird specific powder coated bracket, tubing, and instructions. Kit is designed for vehicles with overflow tube on RH (passenger side) and original style fan shroud. ....39.50

**ACC42 Rear Deck Protectors**  
These clear die cut vinyl film protectors have been developed to help protect your Thunderbird's rear deck area where the hardtop or soft-top rubber comes into contact with the painted surface. These protectors adhere by static cling and are easy to install, remove or reinstall.....20.95



**22051A**



**B22051F**



**P22051D**



**P22051D**

- 22051 NEW Deluxe Accessory Key Blanks**
- 22051A** 55-64, stamped the same on both sides, pair ..... 24.95
  - B22051F** 65-72, stamped the same on both sides, pair ..... 24.95
  - P22051D** 52-64 Ford passenger car/truck, stamped the same on both sides, pair ..... 24.95
  - P22051E** 65-72 Ford passenger car/truck, stamped the same on both sides, pair ..... 24.95



**ACC35TB**



**ACC35A**



**ACC35L**

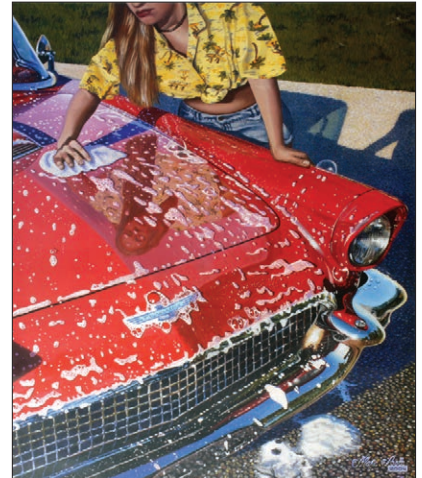
- ACC 35 NEW Key Fobs**
- ACC35A** Ford Crest Logo..... 12.95
  - ACC35E** Edsel Logo..... 12.95
  - ACC35L** Lincoln Logo..... 12.95
  - ACC35M** Mercury Logo..... 12.95
  - ACC35PK** Ford Pickup Logo..... 12.95
  - ACC35TB** Thunderbird Logo..... 12.95



**ACC44 "FORDS OF JULY"**  
 Mark Davidson's painting highlights a 1927 Model-T, 1957 Thunderbird, 1950 Ford Custom and a 1956 Fairlane Sunliner. This limited edition lithograph of 550 is printed on acid-free 80lb. stock paper. Each one measures 22" x 27" overall and has an image size of 18" x 23". Each lithograph is signed and numbered by the artist and comes with a signed Certificate of Limitation and Authenticity ..... 75.00



**ACC45 "BIRDS OF PLAY"**  
 Gale Armstrong's painting is a must-have for all Birdpersons and serious collectors of fine automotive art. Notice the subtle abstract "ghost-bird" background. This is a limited edition of 450 signed and numbered prints on acid free archival stock. Each 20" x 26" print comes with a Certificate of Authenticity ..... 55.00



**ACC47 "BIRD BATH"**  
 Marc Poole's lithograph "Bird Bath" is a color reproduction of an oil on canvas painting. Available in a series of 500 signed and numbered prints on 26" x 19" acid free archival stock with fade resistant inks.....85.00

TOOLS



**ACC10 - Dash Bezel Tool**

**ACC10 Dash Bezel Tool**, a must for removing the bezels on your dash.....6.95



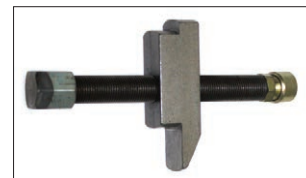
**ACC31 Hog Rings and Pliers**

**ACC31** Hog rings and hog ring pliers, professional type..... 48.95  
**ACC31HO** Hog rings, 1/3 pound..... 3.50  
**ACC31P** Hog ring pliers ..... 44.95



**ACC50 Antenna Wrench**

**ACC50** 55-57 Antenna nut wrench, easily removes the special nut on the antenna base. Non-marring plastic body slides over antenna and securely engages nut ..... 7.95  
**ACC51** 56-57 choke tube punch. This punch is machined to safely remove the 9890 choke heat tube..... 11.95  
**ACC52A** 55-56 Temperature sender adapter (10911) puller. Screw this puller into the adapter, tighten nut and remove the adapter..... 19.95  
**ACC52B** 57 Temperature sender adapter (10911) puller. Screw this puller into the adapter, tighten nut and remove the adapter ..... 19.95



**ACC53 Balancer Puller**

**ACC53** 55-57 Harmonic balancer puller. This tool uses fine thread alloy steel with a swivel pad that helps distribute force and protect crank threads ..... 49.95



**ACC54 Hood Release Cable Tool**

**ACC54** Hood cable release tool. Use this tool if cable breaks or 16877 clamp comes undone from the hood release cable. Insert it from underneath the car and hook onto the hood release bracket 12.95  
**ACC55A** 55-57 Wiper nut socket. This is a simple octagon socket to easily remove the octagon wiper nut..... 9.95  
**ACC56** 55-60 Master cylinder cap wrench. Safely loosen the master cylinder cap without damaging the finish..... 8.95  
**ACC57** 55-57 steering column collar wrench. Loosens the telescoping column collar without damaging the chrome finish. .... 52.95

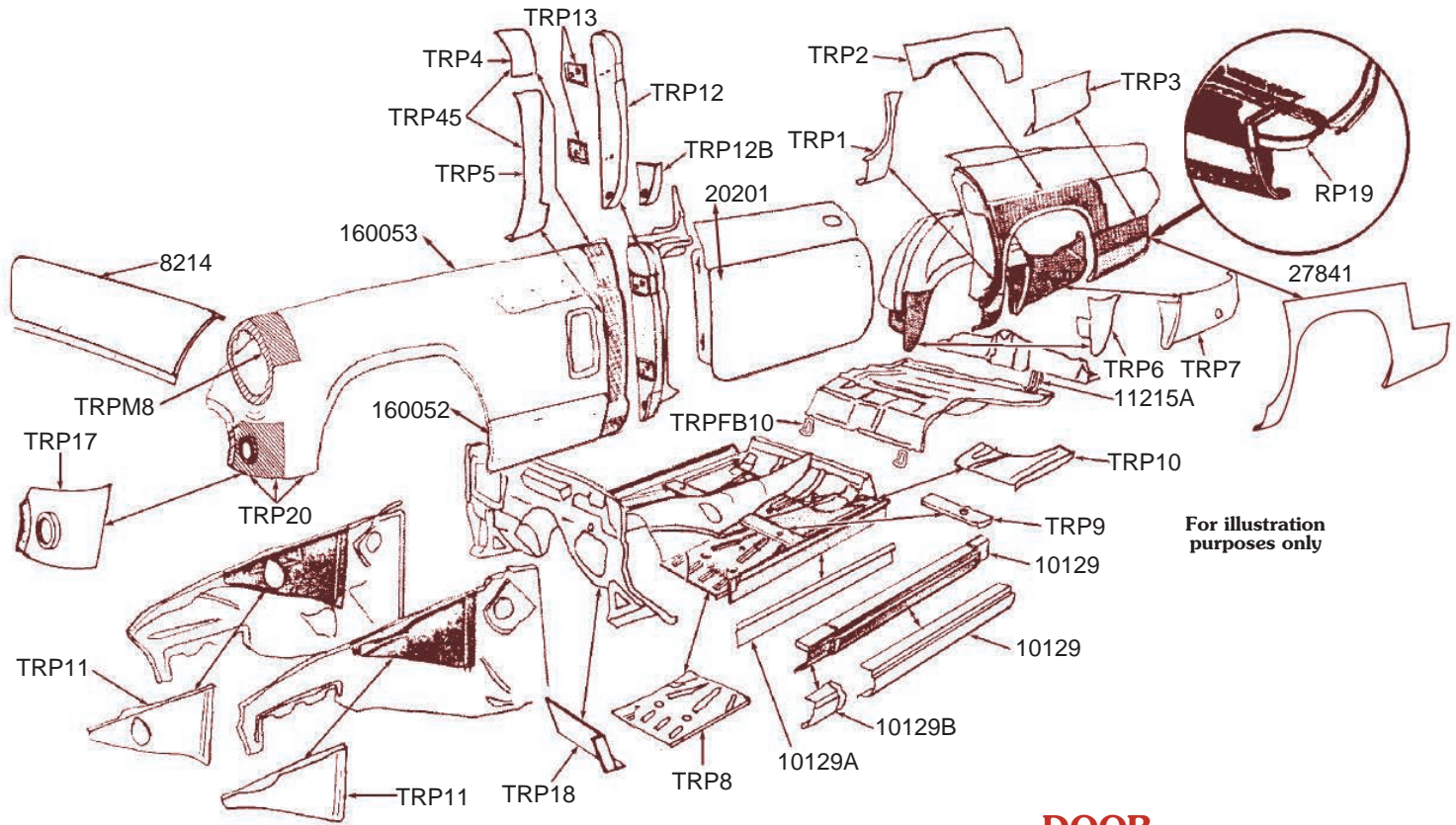


**ACC58 Balancer Install Tool**

**ACC58** Harmonic balancer install tool ..... 62.95  
**1132** 56 continental kit wheel cover removal tool ..... 11.50  
**22601T** Handle removal tool for the inside door handles and window cranks..... 10.95

• • NOTE • • No returns on tools





**FRONT FENDER**

<b>TRP4RH</b>	Front fender upper rear, RH.....	33.00
<b>TRP4LH</b>	Front fender upper rear, LH.....	33.00
<b>TRP5RH</b>	Front fender lower rear, RH.....	48.00
<b>TRP5LH</b>	Front fender lower rear, LH.....	48.00
<b>TRP45RH</b>	Front fender rear 1 piece, RH.....	115.00
<b>TRP45LH</b>	Front fender rear 1 piece, LH.....	115.00
<b>TRP12RH</b>	Door post front, RH.....	118.00
<b>TRP12LH</b>	Door post front, LH.....	118.00
<b>TRP12BRH</b>	Door post lower only.....	30.00
<b>TRP12BLH</b>	Door post lower only.....	30.00
<b>TRP1355</b>	Nut plate,door hinge to body upper & lower, 55.....	30.95
<b>TRP13567RH</b>	Nut plate,door hinge to body,upper, 5-57 RH.....	36.75
<b>TRP13567LH</b>	Nut plate,door hinge to body,upper, 56-57 LH.....	36.75
<b>TRP13567B</b>	Nut plate,door hinge to body lower, 56-57.....	36.75
<b>TRP17RH</b>	Front fender at park light, RH 55-56.....	115.00
<b>TRP17LH</b>	Front fender at park light, LH 55-56.....	115.00
<b>TRP20RH</b>	Flange lower front fender RH.....	21.00
<b>TRP20LH</b>	Flange lower front fender LH.....	21.00
<b>TRPM8A</b>	Headlight bucket flange only.....	52.90
<b>TRPM8LH</b>	Headlight bucket panel with flange LH.....	149.90
<b>TRPM8RH</b>	Headlight bucket panel with flange RH.....	149.90
<b>160051R-57</b>	Front fender below headlight, RH.....	95.00
<b>160061L-57</b>	Front fender below headlight, LH.....	95.00
<b>160052R</b>	Front fender rear bottom, RH 12" x 28¼".....	79.95
<b>160062L</b>	Front fender rear Bottom, LH 12" x 28¼".....	79.95
<b>160053R-55</b>	Front fender rear, 55 RH, full height 28" x 20¾".....	270.00
<b>160063L-55</b>	Front fender rear, 55 LH, full height 28" x 20¾".....	270.00
<b>160053R-57</b>	Front fender rear, 56-57 RH, full height 28" x 20¾".....	320.00
<b>160063L-57</b>	Front fender rear, 56-57 LH, full height 28" x 20¾".....	320.00

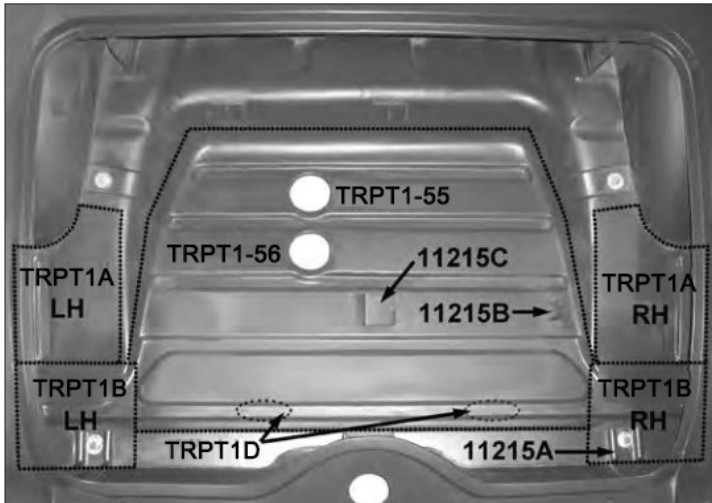
**DOOR**

<b>TRP13A</b>	Nut plate hinge side, inside door.....	24.00
<b>20124B</b>	Door bottom, RH with 20125A.....	120.00
<b>20125B</b>	Door bottom, LH with 20125A.....	120.00
<b>20125A</b>	Lower door weatherstrip retainer.....	26.95
<b>20200R</b>	Door outer panel, RH 16½" x 42".....	230.00
<b>20201L</b>	Door outer panel, LH 16½" x 42".....	230.00
<b>20124R</b>	Door outer panel, lower, RH 14½" x 42".....	120.00
<b>20125L</b>	Door outer panel, lower, LH 14½" x 42".....	120.00

**QUARTER PANEL**

<b>TRP1RH</b>	Rear quarter panel dogleg, RH.....	70.00
<b>TRP1LH</b>	Rear quarter panel dogleg, LH.....	70.00
<b>TRP2RH</b>	Rear quarter panel overwheel opening, RH.....	60.00
<b>TRP2LH</b>	Rear quarter panel overwheel opening, LH.....	85.00
<b>TRP355RH</b>	Rear quarter panel lower rear 55, RH.....	141.00
<b>TRP355LH</b>	Rear quarter panel lower rear 55, LH.....	141.00
<b>TRP356RH</b>	Rear quarter panel lower rear 56, RH.....	141.00
<b>TRP356LH</b>	Rear quarter panel lower rear 56, LH.....	141.00
<b>TRP357RH</b>	Rear quarter panel lower rear 57, RH.....	141.00
<b>TRP357LH</b>	Rear quarter panel lower rear 57, LH.....	141.00
<b>TRP6RH</b>	Wheelhouse lower front, RH.....	55.00
<b>TRP6LH</b>	Wheelhouse lower front, LH.....	55.00
<b>TRP755RH</b>	Wheelhouse extension 55, RH.....	115.00
<b>TRP755LH</b>	Wheelhouse extension 55, LH.....	115.00
<b>TRP756RH</b>	Wheelhouse extension 56, RH.....	115.00
<b>TRP756LH</b>	Wheelhouse extension 56, LH.....	115.00
<b>TRP757RH</b>	Wheelhouse extension 57, RH.....	115.00
<b>TRP757LH</b>	Wheelhouse extension 57, LH.....	115.00
<b>TRP1956RH</b>	Rear quarter to trunk filler 56, RH.....	49.00
<b>TRP1956LH</b>	Rear quarter to trunk filler 56, LH.....	49.00
<b>TRP1957RH</b>	Rear quarter to trunk filler 57, RH.....	21.00
<b>TRP1957LH</b>	Rear quarter to trunk filler 57, LH.....	21.00
<b>27840R</b>	Quarter panel repair, RH.....	275.00
<b>27841L</b>	Quarter panel repair, LH.....	275.00

All sheet metal is 18 gauge except inner rockers which are 16 gauge.



## TRUNK 55-56

<b>TRPT1-55</b>	Trunk floor, 55 .....	425.00
<b>TRPT1-56</b>	Trunk floor, 56 .....	425.00
<b>TRPT1ALH</b>	Trunk floor side ramp, LH, 55-56 .....	129.00
<b>TRPT1ARH</b>	Trunk floor side ramp, RH, 55-56 .....	129.00
<b>TRPT1BLH</b>	Trunk corner, LH, 55-56 .....	115.00
<b>TRPT1BRH</b>	Trunk corner, RH, 55-56 .....	115.00
<b>TRPT1CLH</b>	Trunk under tail light, LH, 55-56 .....	184.00
<b>TRPT1CRH</b>	Trunk under tail light, RH, 55-56 .....	184.00
<b>TRPT1D</b>	Fuel tank locator under trunk .....	52.90
<b>11215B</b>	Bracket, spare wheel bolt at trunk floor, 55 .....	9.45
<b>11215C</b>	Support, spare wheel at trunk floor, 55 .....	7.30
<b>11215D</b>	Bracket, jack retainer on trunk floor, 55-56 .....	3.40
<b>11215D7</b>	Bracket, jack retainer on trunk floor, 57 .....	3.75
<b>11215E</b>	Clip, jack post at wheelhouse, 55-56 .....	1.50
<b>11290</b>	Access plate for fuel sending unit on trunk floor .....	10.50

## ROCKER PANELS

<b>10128R</b>	Outer rocker panel, RH, with drains .....	82.00
<b>10129L</b>	Outer rocker panel, LH, with drains .....	82.00
<b>111351R</b>	Inner rocker panels, RH .....	72.50
<b>111352L</b>	Inner rocker panel, LH .....	72.50

## NOSE PANEL AND APRONS

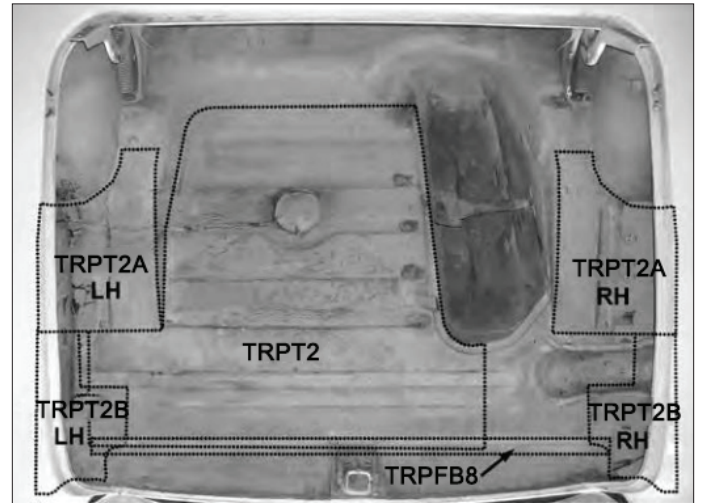
<b>8104R</b>	Radiator deflector, RH .....	295.00
<b>8105R</b>	Radiator deflector, LH .....	295.00
<b>8214</b>	Complete nose panel .....	405.00
<b>8214A-R</b>	½ Nose panel, RH .....	155.00
<b>8214B-L</b>	½ Nose panel, LH .....	155.00
<b>TRP11RH</b>	Splash apron, RH .....	95.00
<b>TRP11LH</b>	Splash apron, LH .....	95.00



8104R



8105R



## TRUNK 57

<b>TRPT2</b>	Trunk floor, 57 .....	425.00
<b>TRPT2ALH</b>	Trunk side ramp, LH, 57 .....	119.00
<b>TRPT2ARH</b>	Trunk side ramp, RH, 57 .....	119.00
<b>TRPT2BLH</b>	Trunk corner, LH, 57 .....	148.00
<b>TRPT2BRH</b>	Trunk corner, RH, 57 .....	148.00
<b>TRPFB8</b>	Floor brace under trunk, 57 .....	170.00
<b>TRPFB9</b>	End only of TRPFB8 .....	28.00

## FLOOR

<b>TRP8RH</b>	Floor board front, RH .....	229.00
<b>TRP855LH</b>	Floor board front, LH, 55 .....	229.00
<b>TRP8567LH</b>	Floor board front, LH, 56-57 .....	145.00
<b>TRP9RH</b>	Floor board center section, RH .....	70.00
<b>TRP9LH</b>	Floor board center section, LH .....	70.00
<b>TRP10RH</b>	Floor board rear, RH .....	228.00
<b>TRP1055LH</b>	Floor board rear, LH, 55 .....	229.00
<b>TRP10567LH</b>	Floor board rear, LH, 56-57 .....	229.00
<b>TRP1455</b>	Floor brace, one piece, front, 55 .....	74.00
<b>TRP14567</b>	Floor brace, one piece, front, 56-57 .....	50.00
<b>TRP15RH</b>	Floor brace, one piece, center, RH 55-57 .....	50.00
<b>TRP15LH</b>	Floor brace, one piece, center, LH 55-57 .....	50.00
<b>TRP1655</b>	Floor brace, one piece, rear, 55 .....	60.50
<b>TRP16567RH</b>	Floor brace, one piece, rear, RH .....	50.00
<b>TRP16567LH</b>	Floor brace, one piece, rear, LH .....	50.00
<b>TRP18RH</b>	Front sloping floor, RH .....	79.00
<b>TRP18LH</b>	Front sloping floor, LH .....	79.00
<b>TRP21</b>	Under floor plate at end of TRP16 .....	20.00
<b>TRP22LH</b>	Hook bracket gas tank strap, LH, 57 .....	18.00
<b>TRP22RH</b>	Hook bracket gas tank strap, RH, 57 .....	18.00
<b>11215A</b>	Brace trunk floor to rear panel, 55-56 .....	24.00
<b>02502R</b>	Kick panel repair, lower 7½", RH .....	75.00
<b>02503L</b>	Kick panel repair, lower 7½", LH .....	75.00

## KICK PANELS

<b>02502R</b>	Kick panel repair, lower 7½", RH .....	75.00
<b>02503L</b>	Kick panel repair, lower 7½", LH .....	75.00
<b>TRPF955RH</b>	Kick panel repair, RH, 55 .....	125.00
<b>TRPF955LH</b>	Kick panel repair, LH, 55 .....	125.00
<b>TRPF9567RH</b>	Kick panel repair, RH, 56-57 with vent opening .....	160.00
<b>TRPF9567LH</b>	Kick panel repair, LH, 56-57 with vent opening .....	160.00

**CAR AUDIO**

At last, a modern 12 volt AM/FM Radio Conversion has been developed to fit the classic Thunderbird. Our wide selection of audio components offer you all of the modern features you want without having to sacrifice the original looks or modifying your original dash.



- ACC33-TBVE-2**
- AM/FM Stereo
  - Power antenna lead
  - Separate bass & treble control
  - 200 Watts high power
  - Local/Long Distance Selector
- ACC33-TBVE-2** ..... 225.00

- 30 Presets(12AM/18FM)
- Scan & Seek tuning
- RCA pre-outs outputs and input for iPod, MP3, DVD, satellite, etc.



- ACC33-U1 Self Enclosed Speakers**
- These are a compact unit with one 5½" woofer and piezo tweeter in each. 120 Watt capacity. Each one measures 8¼" wide x 11¼" long x 3" high.
- Pair**..... 149.00



- ACC33-U2 Self Enclosed Speakers**
- More powerful than the U1. These have an 8" woofer and 2 piezo tweeters in each box and are 200 watt capacity. Each one measures 11" wide x 12½" long x 3" high.
- Pair**..... 192.00

- ACC33-TBVE-7**
- Full featured AM/FM Radio with CD Controller. This radio looks like an analog (manual dial) push button radio. Turn it on and it's a digital AM/FM CD changer controller. You get the best of both worlds, yesterday's cosmetics with today's sound.
- AM/FM Stereo
  - Power antenna lead
  - Separate bass & treble control
  - Local/long distance selector
  - 240 Watts high power
- ACC33-TBVE-7** ..... 299.00

- 30 Presets (12AM/18FM)
- Scan & Seek tuning
- 4 channel RCA outputs and input for iPod, MP3, DVD, satellite, etc.
- Direct CD control



- ACC33-S Secret Audio**
- Hideaway remote control leaves original radio intact. LCD display sensor unit can be mounted almost anywhere and can be controlled by wireless remote from up to 40 feet away. The tuner/amplifier unit can be hidden out of site (under seat or dash). Two mounting options included.
- AM/FM Stereo
  - Power antenna lead
  - Separate bass & treble control
  - Local/long distance selector
  - 200 Watts high power
- ACC33-S** ..... 384.00

- 30 Presets (12AM/18FM)
- Scan & Seek tuning
- Auto Reverse
- 4 way fader
- Digital clock



**ACC33-SP-1**



**ACC33-SP-2**

- ACC33-SP-1**
- Great "no modification" solution and a necessity for 2-channel stereo. Our dual top dash upgraded speaker assemblies are mounted on ¼" material, with cloth over speakers and are pre-wired to plug into the radio. They fit and mount as the original did in the original front speaker area..... 52.00
- ACC33-SP-2**
- Dual voice coil speaker ..... 63.00
- ACC33-T52**
- Rear speaker panel covered with carpet (your color choice), two 6" x 9" speakers with grills, designed to fit with no alterations to your car..... 181.00



- ACC33-AR-1** 55-57 12 volt NEW AM/FM stereo radio manufactured specifically to replicate the original Thunderbird radio - has BlueTooth and 2 RCA input jacks to allow accessories such as MP3, iPod, CD player or satellite receiver to be added. 180 watts (45 x 4) 5AM/5FM presets.....785.95
- 9" x 2.65" x 2.5" depth. ½" D shafts for knobs, included



- ACC33-AR-TC** 55-57 12 volt T own and Country AM/FM stereo radio manufactured specifically to replicate the original Thunderbird radio - has BlueTooth and 2 RCA input jacks to allow accessories such as MP3, iPod, CD player or satellite receiver to be added. 180 watts (45 x 4) 5AM/5FM presets..... 749.50
- ACC33-AR-B:** Bluetooth adapter. Works with any radio that has an auxiliary input..... 39.95



- ACC33-TBINVERT** Power inverter, 6 volt positive to 12 volt negative..... 105.00



- ACC33-ICAM** This adapter plugs into the CD changer port on the back of your Custom Autosound radio and plugs into YOUR iPod (not included). Song selection is made with the CD control buttons on the radio and includes playlist or random song selection. The iCAMKIT can be used without an iPod to input audio from an external device (satellite radio, portable CD etc.) via the ¼" stereo plug ..... 109.00
- Use with CD control radio MODEL 6 OR Secret Audio made after April 2003 only.

DC1A	Air cleaner, 55-56 .....	2.40
DC1B	Air cleaner, 57 .....	2.10
DC2	Auto transmission (glove box).....	5.75
DC3	Coil, 56-57.....	4.00
DC4A	Data plate, 55-56/early 57 .....	1.60
DC4B	Data plate, late 57.....	1.60
DC4C	Data plate rivets, pair.....	4.50
DC5A	Engine oil/tire pressure (glove box), 55-56..	3.00
DC5B	Engine oil/tire pressure (glove box), 57.....	3.00
DC6A	Generator plate, with rivets, 55.....	4.15
DC6B	Generator, 56.....	1.95
DC6C	Generator, 57.....	1.60
DC7	Heater instructions.....	3.00
DC8	Hood block-off .....	2.25
DC9A	Jacking instructions/jack stowage, 55-56....	1.60
DC9B	Jacking instructions/jack stowage, 57.....	1.60
DC10A	Lifeguard door lock (door jam), 56 .....	2.80
DC10B	Lifeguard door lock (door jam), 57 .....	3.00
DC11	Oil filter, element type.....	2.40
DC12A	Starter plate, with rivets, 55.....	4.50
DC12B	Starter, 56-57.....	1.95
DC13	Soft top (glove box) .....	2.25
DC14A	Valve cover, 55-57, 292, pair .....	9.95
DC14B	Valve cover, 56-57, 312, pair .....	9.95
DC15A	Voltage regulator, 55 .....	3.00
DC15B	Voltage regulator, 56-57.....	3.00
DC16A	Inspection stamp decal set, consisting of 2 paint, 2 road test & one each heater voltage, heater date, trim, glass & final inspection, 55.....	11.50
DC16B	Inspection stamp decal set, 56 .....	11.50
DC16C	Inspection stamp decal set, 57 .....	9.95
DC17A	Jewel kit for oil, generator and turn signal lights, 55-56 .....	6.00
DC17B	Jewel kit for oil, generator and turn signal lights, 57 .....	7.85
DC18B	Radio, 56 .....	1.60
DC18C	Radio, 57, 2 piece set.....	3.60
DC19	Engine foundry tag.....	4.95

**SERVICE INSTRUCTIONS**

CLEAN AND REFILL OIL BASE WITH ONE PINT OF NEW OIL EACH TIME CRANKCASE IS DRAINED. WASH UPPER FILTER IN KEROSENE AND DRAIN. USE S.A.E. 30 OIL FOR TEMPERATURES ABOVE FREEZING. S.A.E. 10 BELOW FREEZING. CLEAN MORE FREQUENTLY UNDER EXTREME DUSTY CONDITIONS.

MADE IN U.S.A.

DC1A

**USE GENUINE**

*Ford*

**REPLACEMENT PARTS FOR SERVICE INSTRUCTIONS SEE OWNERS MANUAL**

DC1B

USE ONLY AUTOMATIC TRANSMISSION FLUID TYPE "A"

CHECK TRANSMISSION FLUID LEVEL TO FULL MARK ON INDICATOR WITH TRANSMISSION AT NORMAL OPERATING TEMPERATURE AND ENGINE ON SLOW IDLE WITH SELECTOR LEVER IN P. POSITION

DC2

**ENGINE OIL**

NOT LOWER THAN 32°F SAE 20 or 20W DOWN TO MINUS 10°F SAE 10W BELOW MINUS 10°F SAE 5W

**TIRE PRESSURE**

TIRE SIZE FRONT LBS REAR LBS  
7.50 X 14-4 PLY 22 22

and when service is needed specify Genuine Ford Parts

DC5B

SERIAL NO.

THIS VEHICLE IS CONSTRUCTED UNDER UNITED STATES LETTERS PATENT

2 132 729	2 310 416	2 617 681	2 631 694
2 186 060	2 590 719	2 827 894	2 634 848
2 220 122	2 652 829	2 628 833	2 639 958

OTHER PATENTS PENDING

BODY COLOR TRIM PRODUCTION CODE

MADE IN U.S.A. BY *Ford* REG. U.S. PATENT OFFICE

DC4A

SERIAL NUMBER MADE IN *Ford* REG. U.S. U.S.A. BY *Ford* PAT. OFF.

BODY COLOR TRIM DATE TRANS AXLE

THIS VEHICLE IS CONSTRUCTED UNDER UNITED STATES LETTER PATENTS

2 270 122	2 590 719	2 628 833	2 677 572	2 708 594
2 290 927	2 612 829	2 631 694	2 677 574	2 726 894
2 310 416	2 617 681	2 639 938	2 698 012	

OTHER PATENTS PENDING

DC4B

**REMOVE COVER FOR SUMMER OPERATION**

DC8

FAC-12029-A

12 VOLTS *Ford* 7113

USE WITH EXTERNAL RESISTOR

DC3

*Thunderbird*

DC14A

FAR-11001-A

STARTING MOTOR

12 VOLTS *Ford* MADE IN U.S.A.

DC12B

*Thunderbird Special*

DC14B

FBY-10000-B

GENERATOR

15 V 30 A *Ford* NEG GRD

DC6B

**Decal Kits**

DK55 Consists of one each #1A,2, 5A, 6A, 7, 8, 9A, 11, 12A, 13 and 15A, 1955...18.50

DK56 Consists of one each #1A, 2, 3, 5A, 6B, 7, 8, 9A, 11, 12B,13 and 15B, 1956...22.50

DK57 Consists of one each #1B, 2, 3, 5B, 6C, 7, 8, 9B, 12B, 13 and 15B, 1957 .16.95

INSTRUCTIONS FOR REMOVING BLOWER & DUCT ASS'Y.



DISCONNECT THE BLOWER WIRES FROM HARNESS & GROUND.

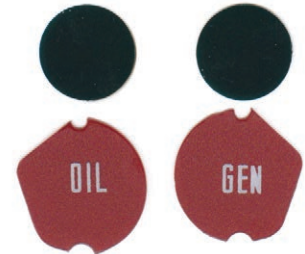
- LOOSEN CLAMP SCREW & PULL FLEXIBLE DUCT OFF INLET DUCT.
- ROTATE LOCKING LEVERS COUNTER-CLOCKWISE & REMOVE INLET DUCT FROM HEATER CASE.
- GRASP BLOWER HOUSING & MOTOR & ROTATE IN DIRECTION OF ARROW UNTIL LOCKING PINS ARE CLEAR OF SLOTS IN BLOWER BRACKET. BLOWER CAN NOW BE LIFTED CLEAR OF ENGINE COMPARTMENT.

TO INSTALL BLOWER & DUCT ASS'Y.-REVERSE ABOVE PROCEDURE

DC7



DC10B



DC17B

**FOR INSTRUCTIONS FOR OPERATION AND CARE OF FOLDING TOP, SEE OWNERS MANUAL**

DC13

FAP-10505-B

REGULATOR

15 V 30 A *Ford* NEG GRD

DC15B

**12 VOLT MAR 23 1956**

<i>Ford</i> PAINT OK 232	<i>Ford</i> PAINT OK 232	TESTED ROAD 512	TESTED ROAD 512
<i>Ford</i> GLASS OK 332	<i>Ford</i> TRIM OK 532	<i>Ford</i> FINAL OK 259	

DC16B

**JACKING INSTRUCTIONS**

- Set Emergency Brake and put car in Reverse Gear (with Fordomatic set Selector Lever in Park position).
- Place Jack Hook at Jacking Bar locations approximately 15" to 20" from center of bumper.
- Insert Hook in Jack Body with Jack Column in vertical position as shown in illustration.
- When jacking rear of car, block front wheel to prevent car from rolling.

NOTE-Lubricate Jack Mechanism at Least Once Every Six Months.

**RIGHT SIDE VIEW LUGGAGE COMPARTMENT JACK STOWAGE**

- Place Jack Base over Clip (A).
- Slide upper end of Column Assembly in Clip (C), placing lower end of Column on Jack Base Socket.
- Insert Metal Hook of Hold Down Strap (B) into slot of Clip (A).
- Slide Rubber Loop of Hold Down Strap over Load Hook on Jack and actuate Jack Mechanism "Up" to tighten Jack in position.
- Slide Wheel Wrench under Spare Tire.
- Wedge Jack Hook between Spare Tire and Wheel Wall.

DC9B

- 1001 Gasket, rear wheel bearing retainer .....1.00
- HWK261A Backing plates to axle housing, 55-56, 16 pieces, 2 sides .....0.00
- HWK261B Backing plates to axle housing, 57, 16 pieces, 2 sides .....40.00
- 1012 Lug nut .....1.00
- 1102A Drum only, front, 55-56, made in U.S.A. ....159.95
- 1102B Drum only, front, 57, made in U.S.A. ....159.95
- 1103A 55-57 front hub with studs and races .....119.95
- 1107 Stud, front & rear hub & spare carrier on 56, original drums .....1.95
- 1126A Drum, rear 55-56, made in U.S.A. ....159.95
- 1126B Drum, rear 57, made in U.S.A. ....159.95



1130A - Hubcap



1130B - Hubcap



1130C - Hubcap



1130E - Hubcap

- 1130A Hubcap, 55-56, with 1141 red center, full size .....134.95
- 1130B Hubcap, 57, full size .....149.95
- 1130C Hubcap, 10" with red center, 55 .....45.75
- 1130D Hubcap, 10" with white center, 56 .....45.75
- 1130E Simulated wire wheel cover, 55-56 .....106.25
- 1130EK4RD Set of 4 simulated wire wheel covers, 10" button hubcaps and attaching clips with red centers .....625.00
- 1130EK4WT Set of 4 simulated wire wheel covers, 10" button hubcaps and attaching clips with white centers .....625.00
- 1130EK5RD Set of 5 simulated wire wheel covers, 10" button hubcaps and attaching clips with red centers .....781.00
- 1130EK5WT Set of 5 simulated wire wheel covers, 10" button hubcaps and attaching clips with white centers .....781.00
- 1130F 55-56 clipless simulated wire wheel cover .....155.00
- 1130FK4RD 55 Set of 4 clipless simulated wire wheel covers & 10" red button hubcaps .....799.00
- 1130FK4WT 56 Set of 4 clipless simulated wire wheel covers & 10" white button hubcaps .....799.00
- 1130FK5RD 55 Set of 5 clipless simulated wire wheel covers & 10" red button hubcaps .....985.00
- 1130FK5WT 56 Set of 5 clipless simulated wire wheel covers & 10" white button hubcaps .....985.00



1130IBLUE

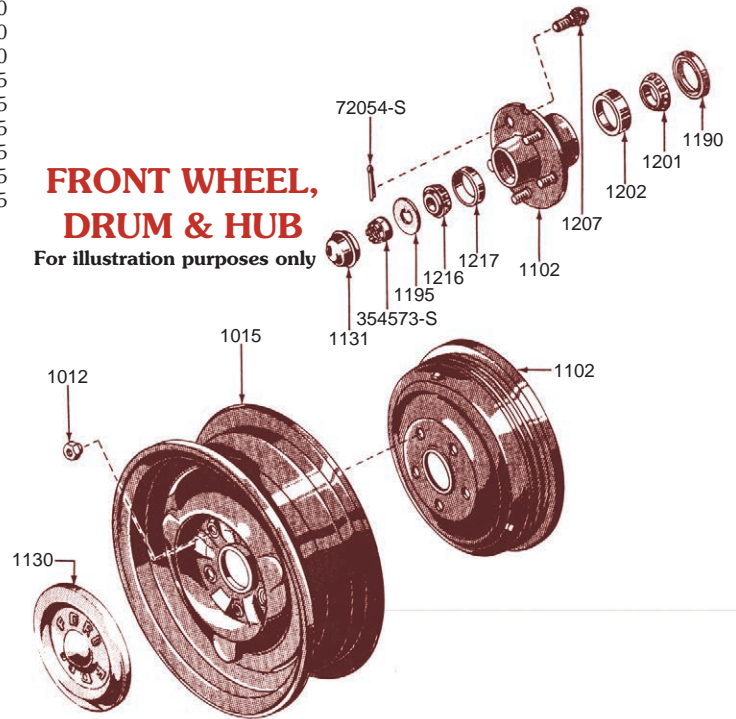


1141 - Wheel Medallion

- 1130IBLACK Black spinner insert .....29.95
- 1130IBLUE Blue spinner insert .....29.95
- 1130IRED Red spinner insert .....29.95
- 1130IGREEN Green spinner insert .....29.95
- 1130PS Pan and spinner, for wire wheel, chrome with your choice of either black, blue, or red insert .....74.95
- 1131 Dust cap, front hub .....5.00
- 1132 Tool, 56 continental kit wheel cover remover .....11.50
- 1141 Medallion, wheel cover, red plastic, 55-56 .....24.00
- 1150 Clip for attaching 1130E, 55-56, 5 required per wheel .....4.00
- 1150R Clip for attaching 1130E, with bumper, 55-56, 5 required per wheel .....4.50
- 1151 Bumper for wire wheel clip, 55-56 .....0.65

**FRONT WHEEL, DRUM & HUB**

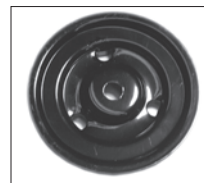
For illustration purposes only



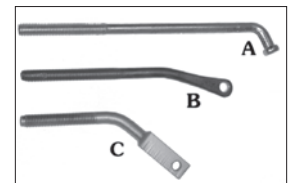
- 1177 Seal, rear axle bearing, inner .....6.75
- 1180 Rear wheel bearing retainer .....8.95
- 1190 Seal, front wheel bearing .....2.95
- 1193 Gasket, front backing plate .....1.05
- 1195 Washer, special, front spindle .....11.50

- 1200AK Axle & pinion seal kit, contains 2-1177, 2-1190, 4-1001, & 1-4676, 55-56 .....36.95
- 1200BK Kit, same as above, 57 only .....52.95

- 1201 Bearing and race, front wheel, inner .....7.75
- 1202 Included in 1201
- 1216 Bearing and race, front wheel, outer .....10.95
- 1217 Included in 1216
- 1225 Bearing, rear axle, includes 1180 retainer .....33.25
- HWK261B Backing plates to axle housing, 57, 16 pieces, 2 sides .....40.00
- 1352 Stone Guard, spare wheel, less seals, 56, fiberglass .....173.50
- 1352A Seal set, 56 spare wheel stone guard, consisting of 1 each-1357, 1362, 1363 and 40332 .....18.15
- 1354A Grommet set, 56 spare wheel hinge .....10.00
- 1386C Lever assembly, 56 Continental Kit, aluminum .....160.00
- HWK142 Continental Kit hinge & latch assembly to body, 56, 24 pieces.. 7.95
- 1406M Tire cover, 56 spare wheel, metal .....222.00
- 1406F Tire cover, 56 spare wheel, fiberglass .....139.95
- 1424 Mounting plate, spare tire, 57 .....38.00

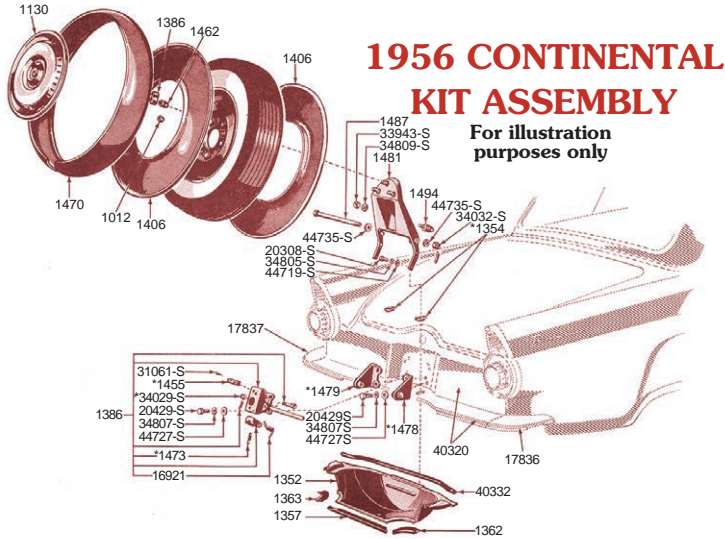


1446 Plate



1448 Bolt

- 1446 Plate, spare tire, 55 .....6.00
- 1448A Bolt, spare wheel carrier, 55 .....10.00
- 1448B Bolt, spare wheel carrier, 6 3/8", 57 .....21.50
- 1448C Bolt, spare wheel carrier, 5 1/2", 57 .....21.50
- NOTE•• For floor brackets see 11215



## 1956 CONTINENTAL KIT ASSEMBLY

For illustration purposes only

- **HWK99** Spare hold down clevis pins, washers & clips, 57, 6 pieces 1.90
- 1455** Bumper, Continental kit hinge.....6.00



1457



1457R

### Spare Tire Wing Nuts

- 1457** Wing nut spare tire hold down, replacement type 55/57 .3.00
- 1457R** Wing nut, spare tire hold down, as original, 55 or 57 ....12.50
- 1470C** Retainer ring, spare wheel cover, 56, chrome.....495.00
- 1470F** Retainer ring, spare wheel cover, 56, fiberglass .....139.95
- 1470M** Retainer ring, spare wheel cover, 56, metal as original 175.00
- 1473E** Spring, Continental kit latch .....9.50
- 1475** Auxiliary spring for 1470 ring.....25.00
- 1478** Bracket set, spare wheel carrier, 56 .....130.00
- 1481K** Hinge assembly, Continental kit, 56, includes 1478, 1479, 1481 and 1487 .....190.00
- 1487** Bolt kit, spare wheel hinge, 56, contains 1-1487, 1-34032S, 2-44735S.....14.00
- 1494** Dowel, spare wheel hinge, 56, includes washer and nut.18.30
- 16921** Spring, hood lock catch assembly .....5.25

## BRAKES



2005AX

Power Brake Booster



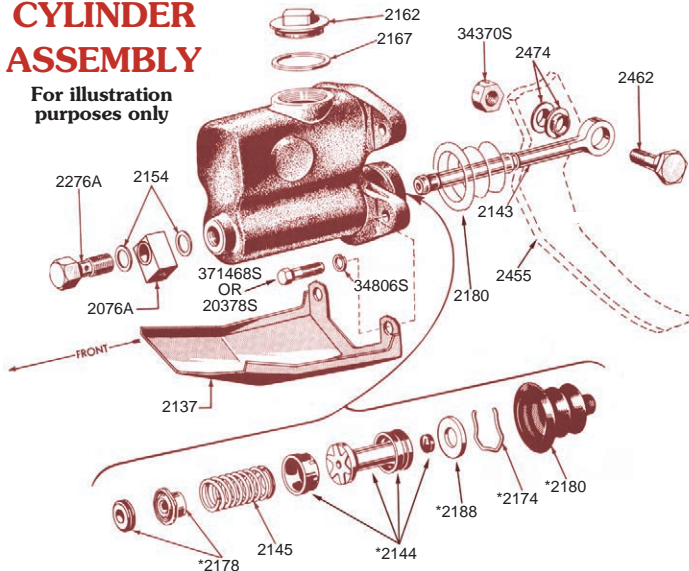
2005AIK

Booster Install Kit

- 2004** Kit, master cylinder repair .....30.50
- 2005AX** Booster, rebuilt, less 2365 check valve .....475.00
- • **NOTE** • • Core required in advance.
- • **NOTE** • • Extra charge if your booster core does not have the proper "C" shaped vacuum line .....15.95

## MASTER CYLINDER ASSEMBLY

For illustration purposes only



- 2005E** Clip, for power brake vacuum line at 9180 fuel bracket 1.85
- 2005AIK** 55 Thunderbird power brake booster install kit .....221.50
- 2005BIK** 56 Thunderbird power brake booster install kit .....221.50
- 2005CIK** 57 Thunderbird power brake booster install kit .....221.50



2018A - Brake Shoe and Lining Set

- 2018A** Brake shoe set, front axle set 55-56. For rear set see 2218 .....42.95
- 2018B** Brake shoe set, front axle set 57. For rear set see 2218 .....42.95

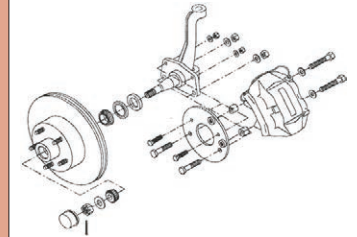
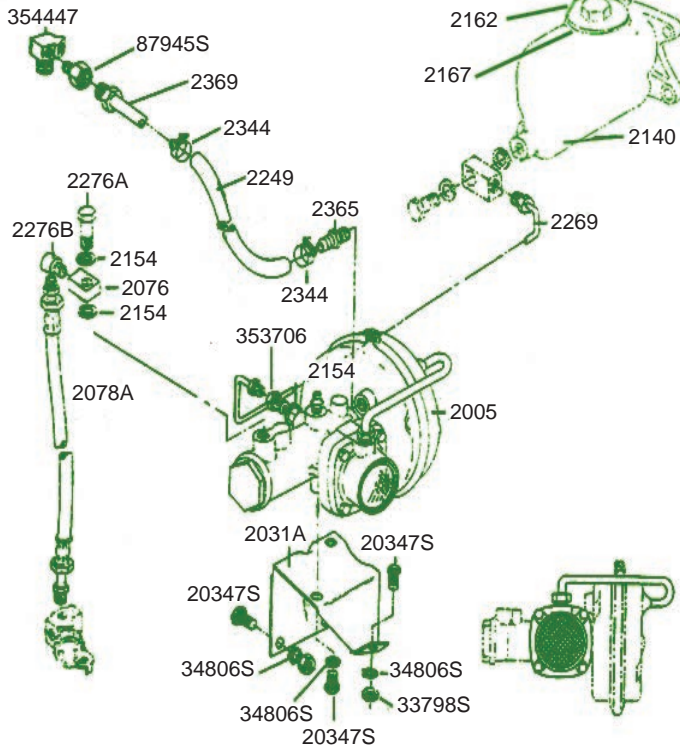
**2019 Brake Overhaul Kit**

Includes 1-2018, 1-2218, 1-2061, 1-2062, 1-2261, 1-2262, 1-2095, 2-2A601, 5-2149, 2-2078 & 1-2282

<b>2019AK</b> 55 .....	250.95
<b>2019BK</b> 56 .....	250.95
<b>2019CK</b> 57 .....	250.95

**1955-57 POWER BRAKE BOOSTER ASSEMBLY**

For illustration purposes only



**FRONT DISC BRAKE CONVERSION KITS**

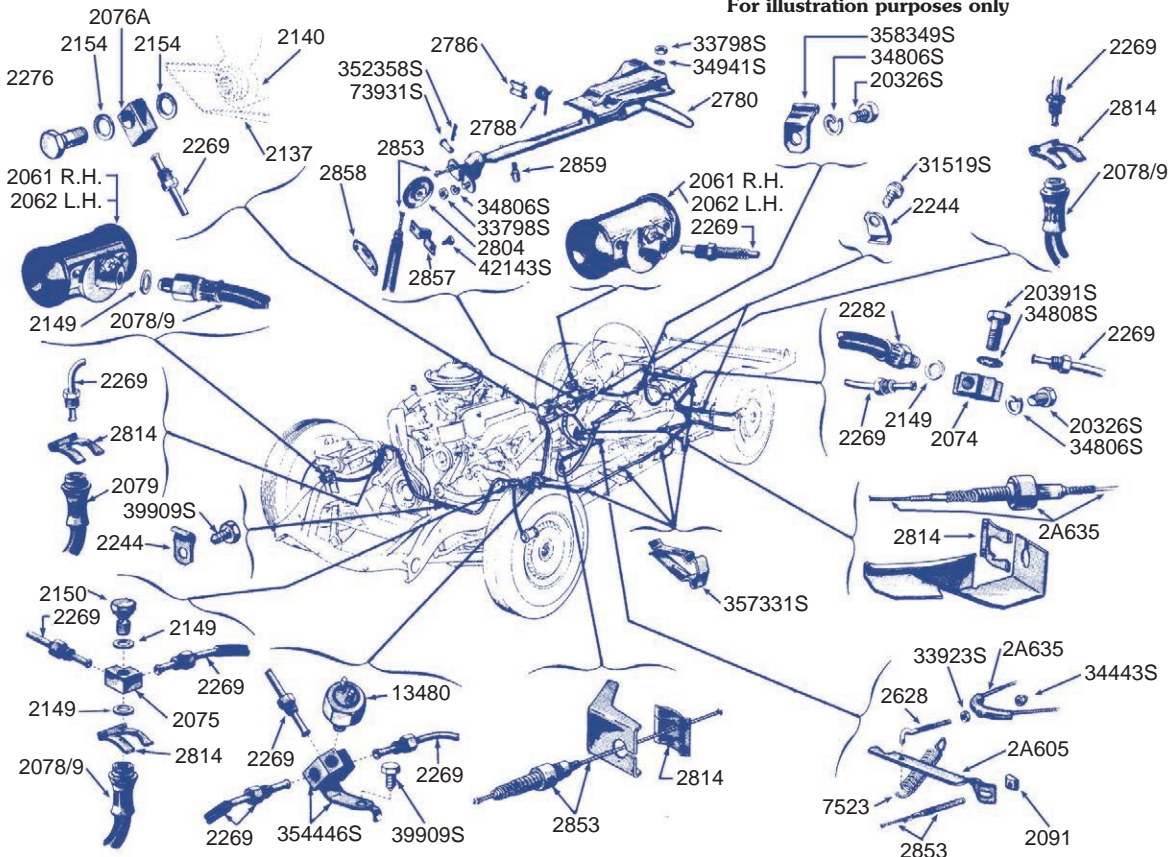
Kit includes: Rotors, 4 piston loaded calipers, bearings, bearing spacer, seals, rear wheel cylinders, caliper mounting brackets, master cylinder, and pre-formed line kit. All hardware included, Grade 8 nuts, bolts & washers. May need spacers with original 14" rims.

**2B123B Disc Brake Kit ..... 1300.00**

•• NOTE •• Replacement parts available .....CALL

**THUNDERBIRD BRAKE SYSTEM**

For illustration purposes only

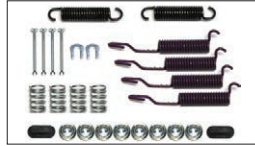




**2031A**



**2031B**

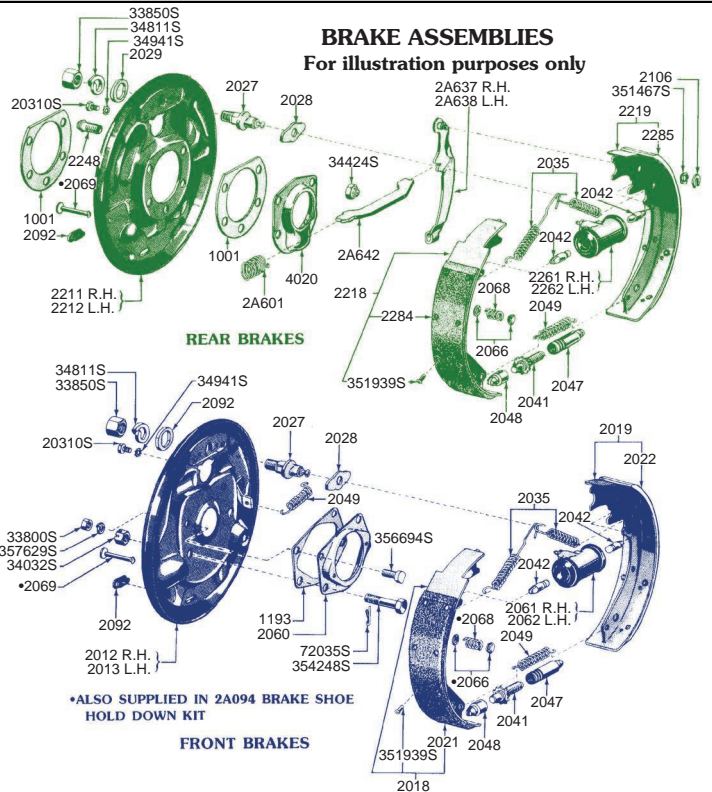


**2095AK**

**Power Brake Booster Brackets**

**Brake Hardware Kit**

<b>2031A</b>	Bracket, power brake booster mounting, 55 .....	53.25
<b>2031B</b>	Bracket, power brake booster mounting, 56-57 .....	53.25
<b>•HWK202A</b>	Power brake booster bracket to fender, 55, 12 pieces .....	1.95
<b>•HWK202B</b>	Power brake booster bracket to fender, 56-57, 16 pieces .....	2.95
<b>•HWK203</b>	Power brake booster to bracket, 4 pieces .....	1.05
<b>2035</b>	Spring, brake shoe retracting .....	2.50
<b>2035B</b>	57 front brake helper spring .....	4.95
<b>2041</b>	Adjusting screw kit, consists of 1-2041, 1-2047 & 1-2048 .....	9.95
<b>2042</b>	Link, brake shoe to cylinder .....	5.50
<b>2047</b>	See 2041	
<b>2048</b>	See 2041	
<b>2049</b>	Spring, brake adjusting screw .....	4.20
<b>2061</b>	Cylinder, front brake RH .....	24.95
<b>2062</b>	Cylinder, front brake LH .....	24.95
<b>•HWK260</b>	Wheel cylinders to backing plates, 16 pieces, all 4 .....	2.95
<b>2066</b>	Cup, brake shoe hold down spring .....	0.85
<b>2068A</b>	Spring, brake shoe hold down, front .....	1.25
<b>2069A</b>	Pin #1, shoe hold down, front .....	0.75
<b>2069B</b>	Pin #2, shoe hold down, rear 55-56 .....	0.75
<b>2069C</b>	Pin #8, shoe hold down, rear 57 .....	0.75
<b>2073</b>	Bracket, rear brake hose, with bolt, 57 .....	13.95
<b>2074A</b>	Brass block, rear brake hose, 55-56 .....	64.95
<b>2074B</b>	Brass block, rear brake, 57 .....	32.95
<b>2075</b>	Brass connector block, LH front brake .....	16.95
<b>2076A</b>	Brass connector block at master cylinder .....	13.25
<b>2076B</b>	Brass connector block at brake booster .....	13.25
<b>2078A</b>	Hose, power brake flex, booster to block on frame .....	24.95
<b>2078</b>	Hose, front brake, RH or LH, see 2149 for copper washer .....	18.95
<b>2091</b>	Nut, parking brake equalizer lever .....	4.50
<b>2B091RV</b>	Residual valve for disk brake .....	29.95
<b>2092</b>	Cover, brake adjusting hole .....	1.25
<b>2095AK</b>	Kit, front brake shoe springs and hold down parts; includes 2-2A094, 4-2035, 2-2049, 2-2092 .....	24.95
<b>2095BK</b>	Kit, rear brake shoe springs and hold down parts; includes same as above, except add 2-2106, and 2-351467 ..	24.95
<b>2095CK</b>	Kit, front and rear brake shoe springs and hold down parts; includes 2095AK and 2095BK .....	42.95
<b>2106</b>	Retainer, parking brake lever horse shoe clip .....	0.50
<b>2128A</b>	Kit, brake cylinder repair, front 55-57 .....	9.55
<b>2128B</b>	Kit, brake cylinder repair, rear 55 .....	9.55
<b>2128C</b>	Kit, brake cylinder repair, rear 56-57 .....	9.55
<b>2129AK</b>	Kit, front and rear wheel cylinder, repair; cups and seals for all 4 wheels, 55 .....	25.50
<b>2129BK</b>	Kit, front and rear wheel cylinder, repair; cups and seals for all 4 wheels, 56-57 .....	25.95
<b>2137B</b>	Drip tray, master cylinder, stainless, late 55-57 .....	23.95
<b>2137L</b>	Drip tray, master cylinder, disc brake .....	20.95
<b>2140</b>	Master cylinder, less push rod, with slot .....	99.95
<b>•HWK201</b>	Master cylinder to firewall, 8 pieces .....	2.25
<b>2142</b>	Nylon end, master cylinder push rod .....	5.95
<b>2143</b>	Master cylinder push rod .....	19.95
<b>2143K</b>	Push rod kit, includes 2143 push rod, 2142 nylon end + 2-2474 bushings .....	33.30
<b>2149</b>	Washer, brake line, copper (also 9" rear-end pumpkin) .....	1.65
<b>2150</b>	Banjo bolt, brass block at left front brake hose .....	5.75
<b>2154</b>	Washer, brake fittings, copper .....	1.25
<b>2162</b>	Cap, master cylinder filler .....	11.25
<b>2162R</b>	Cap, master cylinder, with "BB" on cap with gasket .....	42.95
<b>ACC56</b>	Master cylinder cap wrench .....	8.95
<b>2167</b>	Gasket, master cylinder filler cap .....	1.25
<b>2180</b>	Boot, master cylinder .....	4.95
<b>2208</b>	Screw, bleeder, wheel cylinder and power brake unit .....	1.50
<b>2218A</b>	Brake shoe set, rear axle 55-56 .....	45.95
	For front set see 2018 .....	45.95
<b>2218B</b>	Same as 2218A except for 57 .....	49.95



<b>2221</b>	See 2128	
<b>2244A</b>	Clip, brake line to frame and axles .....	2.10
<b>2249A</b>	Hose, power brake booster to vacuum line, rubber .....	5.30
<b>2249B</b>	Hose, power brake booster to vacuum line, rubber, dual carburetor .....	5.00
<b>2261A</b>	Cylinder, rear brake RH, 55 .....	20.95
<b>2261B</b>	Cylinder, rear brake RH, 56-57 .....	20.95
<b>2262A</b>	Cylinder, rear brake LH, 55 .....	20.95
<b>2262B</b>	Cylinder, rear brake LH, 56-57 .....	20.95
<b>•HWK260</b>	Wheel cylinders to backing plates, 16 pieces, all 4 .....	2.95
<b>2269A</b>	Spring, rear brake lines, pair .....	2.95



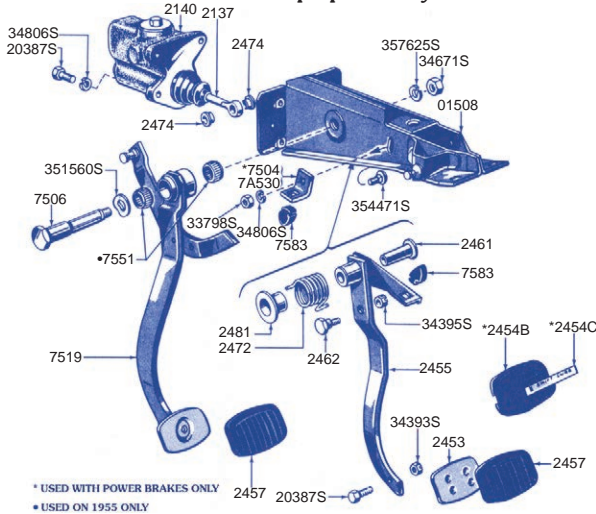
**2269-1A - Brake Line**

<b>2269-1A</b>	Brake line, steel, master cylinder to frame block, manual .....	27.95
<b>2269-1ASS</b>	Brake line, stainless steel, as above .....	35.95
<b>2269-1B</b>	Brake line, steel, master cylinder to power brake booster, 55 ...	19.50
<b>2269-1BSS</b>	Brake line, stainless steel, as above .....	23.95
<b>2269-1C</b>	Brake line, steel, master cylinder to power brake booster, 56 ...	21.95
<b>2269-1CSS</b>	Brake line, stainless steel, as above .....	26.95
<b>2269-1D</b>	Brake line, steel, master cylinder to power brake booster, 57 ...	30.55
<b>2269-1DSS</b>	Brake line, stainless steel, as above .....	36.95
<b>2269-2</b>	Brake line, steel crossover line under engine .....	29.25
<b>2269-2SS</b>	Brake line, stainless steel, as above .....	43.85
<b>2269-3</b>	Brake line, steel, 12" line between frame block and left front wheel brass connector .....	19.95
<b>2269-3SS</b>	Brake line, stainless steel, as above .....	29.00
<b>2269-4</b>	Brake line, steel, brass block on frame to midpoint on frame .....	34.95
<b>2269-4SS</b>	Brake line, stainless steel, as above .....	48.40
<b>2269-5A</b>	Brake line, steel, midpoint on frame to rear brake hose, 55 .....	44.85
<b>2269-5ASS</b>	Brake line, stainless steel, as above .....	66.85
<b>2269-5B</b>	Same as 2269-5A, 56 .....	40.00
<b>2269-5BSS</b>	Same as 2269-5ASS, 56 .....	59.75
<b>2269-5C</b>	Same as 2269-5A, 57 .....	44.85
<b>2269-5CSS</b>	57 stainless steel brake line, midpoint on frame to rear brake hose .....	59.75



**BRAKE & CLUTCH PEDAL ASSEMBLY**

For illustration purposes only

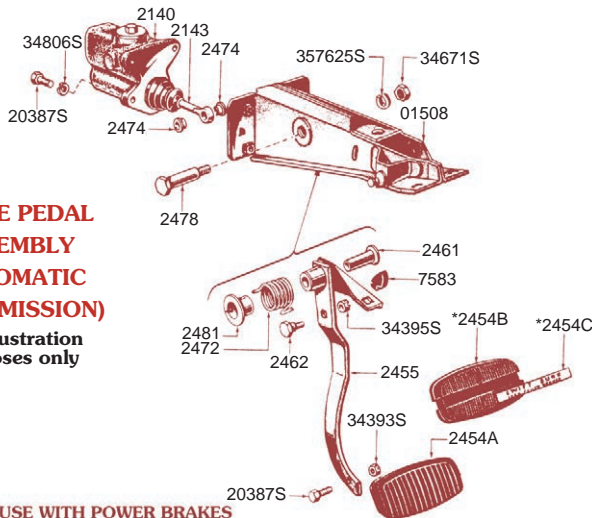


\* USED WITH POWER BRAKES ONLY  
 • USED ON 1955 ONLY

- 2269-5CSS Same as 2269-5ASS, 57..... 59.75
- 2269-6A Brake line, steel, rear axle housing, LH, 55-56..... 28.45
- 2269-6ASS As above, stainless steel..... 36.95
- 2269-6B Brake line, steel, rear axle housing, LH, 57..... 24.95
- 2269-6BSS As above, stainless steel..... 29.95
- 2269-7A Brake line, steel, rear axle housing, RH, 55-56..... 36.95
- 2269-7ASS As above, stainless steel..... 49.95
- 2269-7B Brake line, steel, rear axle housing, RH, 57..... 36.95
- 2269-7BSS As above, stainless steel..... 55.95
- 2269AK Kit, brake lines, 7 pieces, 55, specify manual or power brakes .... 178.25
- 2269AKSS As above, stainless steel..... 309.50
- 2269BK Kit, brake lines, 7 pieces, 56, specify manual or power brakes .... 178.25
- 2269BKSS As above, stainless steel..... 339.00
- 2269CK Kit, brake lines, 7 pieces, 57, specify manual or power brakes .... 178.25
- 2269CKSS As above, stainless steel..... 339.00
- HWK262 Rear brake line fitting to axle housing, 55-56, 4 pieces..... 1.75
- NOTE•• All of the brake lines are made from high quality steel brake line tubing with double flared ends and steel flare fittings. The lines have the original style steel spring protectors, steel sheathing protectors and loom material in the proper places. Caution must be used when installing to insure proper seating of the flared ends to avoid leakage. Thunderbird Headquarters assumes no responsibility for improperly installed or altered lines.
- 357331S Clip, brake line to frame, 3 required..... 2.75
- 2276A Banjo bolt, brake fitting ..... 14.95
- 2276B Brass elbow fitting, at brake booster..... 2.95
- 2282 Hose, rear brake ..... 21.95

**BRAKE PEDAL ASSEMBLY (AUTOMATIC TRANSMISSION)**

For illustration purposes only



\*USE WITH POWER BRAKES

- 2365 Check valve, power brake booster, replacement type..... 26.50
- 2369A Vacuum line, power brake booster to manifold, 55..... 20.95
- 2369ASS As above, stainless steel..... 29.95
- 2369B Vacuum line, power brake booster to manifold, 56..... 19.95
- 2369BSS As above, stainless steel..... 29.95
- 2369C Vacuum line, power brake booster to manifold, 57..... 19.95
- 2369CSS As above, stainless steel..... 29.95
- 2369E As above, for 57 dual 4 barrel setup ..... 15.00
- 2369ESS As above, for 57 dual 4 barrel setup, stainless steel ..... 30.00
- NOTE•• For brass manifold vacuum blocks see #354447S
- 2377 Rod, power brake booster, large diaphragm ..... 7.25
- 2420A Vacuum line, "C" line on power brake booster ..... 15.95
- 2420ASS Vacuum line, "C" line on power brake booster, stainless steel .. 25.50



- 2454A Pad, brake pedal for automatic transmission..... 22.25
- 2454B Pad, Swift Sure brake pedal, use with 2454C band..... 31.95
- 2454C Band, Swift Sure brake, use with 2454B ..... 15.95
- 2454D Pad, brake pedal, power brake, for automatic transmission ..... 39.95
- HWK149 Brake pedal to pedal arm, 3 pieces ..... 1.05
- HWK150 Brake pedal bracket to dash, firewall & cowl, 8 pieces ..... 3.95
- 2457 Pad, brake & clutch pedals, slip on type, Ford replacement for 55-56, original for 57 ..... 6.50
- 2457A Pad, brake & clutch pedals, slip on type, original for 55-56, exact reproduction ..... 12.50
- 2461 Bushing, brake pedal ..... 12.00
- 2A642A Link for parking brake lever to shoe..... 19.95
- 2462 Bolt, master cylinder link rod ..... 21.00
- 2474 Bushing, master cylinder push rod, 2 required ..... 5.00
- 2481 Bushing, brake pedal ..... 19.95
- 2A601 Spring, parking brake link..... 5.50
- 2A602 Parking brake cable holder..... 29.95
- 2A605 Lever, parking brake equalizer ..... 18.50
- 2628 Rod, parking brake equalizer..... 15.75



- 2A635A Cable ..... 49.95
- 2A635B Rear parking brake cable, 57, 1 required..... 49.95
- HWK156 Emergency brake cable bracket to firewall, 2 pieces ..... 1.25
- HWK157 Emergency brake assembly to firewall, 4 pieces ..... 1.00
- 2A637 Emergency brake lever, RH ..... 36.95
- 2A638 Emergency brake lever, LH..... 36.95
- 2A642A Link, parking brake lever to shoe..... 19.95
- 2780 Emergency brake handle..... 52.95
- 2786 Pawl, parking brake ratchet bar..... 8.95
- 2788 Spring, parking brake ratchet bar pawl locking ..... 3.10

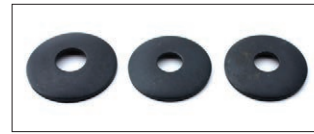
- 2804** Pulley, parking brake cable.....22.95
- 2804C** Cover, parking brake pulley, mounts to firewall.....34.95
- 2805** Clip, parking brake cover.....5.95
- 2814A** Clip, parking brake cable to frame.....2.50
- 2814B** Clip, brake hose to frame.....1.65
- 2853** Front parking brake cable.....44.95
- 2857** Clamp, emergency brake cable to firewall.....3.95
- 2858** Retainer, parking brake cable at firewall.....4.25
- 2859** Pin, parking brake ratchet bar.....3.25
- 3A006** Cap, power steering oil reservoir filler.....19.95
- 3A006A** Gasket, power steering reservoir cap.....1.50
- 3019** Bumper, lower A arm, RH.....6.50
- 3020A** Bumper, lower A arm, LH.....6.50
- 3020B** Bumper, upper A arm, RH & LH.....7.95
- 3021K** Front suspension bumper kit, 4 pieces.....26.50
- HWK255** A frame arm bumpers to A frames, 8 pieces, 2 sides.....1.95
- 3043A** Shim, 1/64" for alignment on upper control arm shaft.....0.60
- 3043B** Shim, 1/32" for alignment on upper control arm shaft.....0.60
- 3043C** Shim, 1/16" for alignment on upper control arm shaft.....0.60
- 3043D** Shim, 1/8" for alignment on upper control arm shaft.....0.60
- HWK257** Upper A frame arms to frame, 12 pieces, 2 sides.....18.95
- 3047** Shaft, upper control arm.....30.00
- 3048K** Felt and washer set, ball joints, does all 4.....24.50
- 3049** Upper ball joint.....52.95
- HWK248** Upper ball joints to upper A arm, 16 pieces, 2 sides.....6.95
- 3050** Lower ball joint.....52.95
- HWK249** Lower ball joints to lower A arm, 12 pieces, 2 sides.....7.70

- 3054K** Upper ball joint washer and felt kit, 2 required.....9.35
- 3055** Lower A arm bushing sleeve.....10.50
- 3057** Bolt, lower control arm.....31.00
- 3068** Bushing, front suspension upper A arm, front.....6.95
- 3069** Bushing, front suspension lower A arm.....12.95
- 3069K** Lower ball joint washer and felt kit, 2 required.....6.00



**3070K - Front Suspension Bushings**

- 3070K** Kit, front suspension bushing, contains: 2-3068, 4-3069 & 2-3087.....52.50
- 3087** Bushing, front suspension upper A arm, rear.....6.40



**3090PK - Washer Kit**

**3A130 - Tie Rod End**

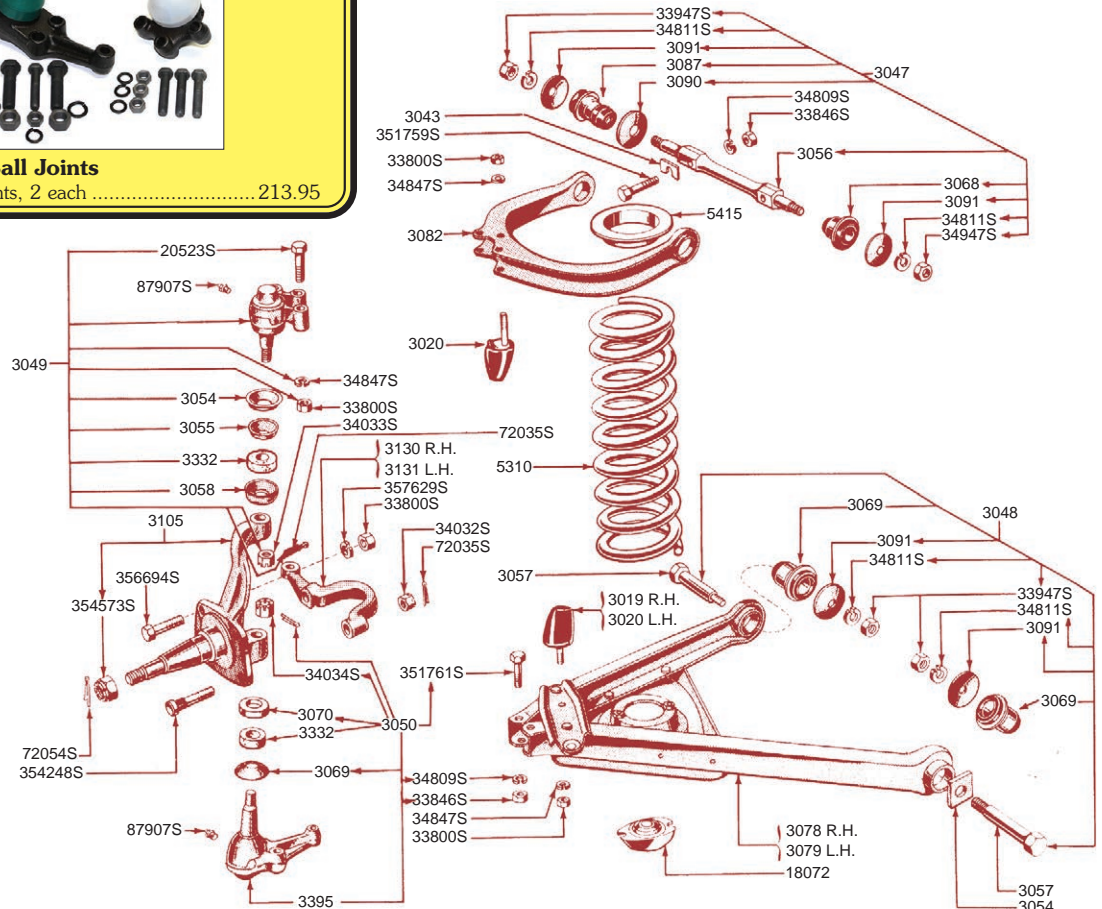
- 3090PK** Washer kit, upper A arm, plain finish, 3 pieces.....3.95
- 3090ZK** Washer kit, upper A arm, zinc plated, 3 pieces.....5.95
- 3091PK** Washer kit, lower A arm, plain finish, 2 pieces.....3.95
- 3091ZK** Washer kit, lower A arm, zinc plated, 2 pieces.....5.95
- 3092PK** Washer kit, upper & lower A arms, plain, 10 pieces.....9.95
- 3092ZK** Washer kit, upper & lower A arms, zinc, 10 pieces.....9.95
- 3A130** Outer tie rod end.....18.95

**3051K - Ball Joints**

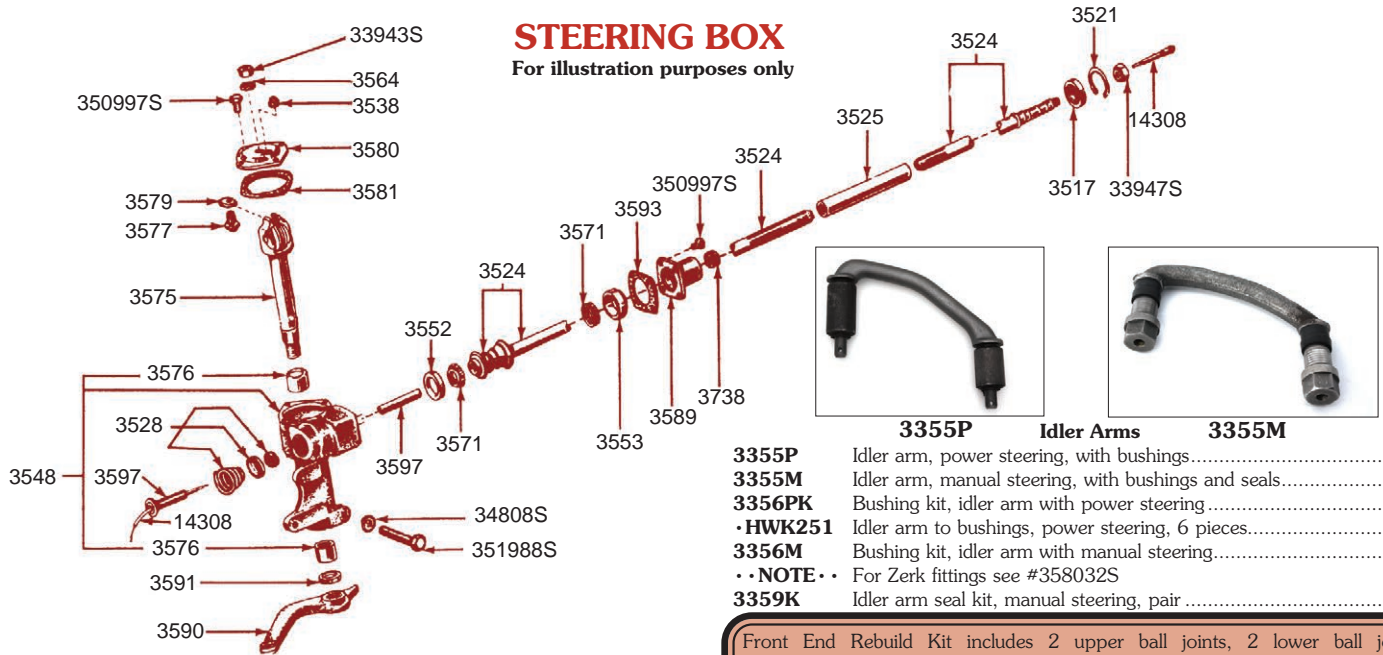
**3051K** Kit, upper and lower ball joints, 2 each.....213.95

**FRONT SPINDLE AND SUSPENSION (RIGHT SIDE VIEW)**

For illustration purposes only



**STEERING BOX**  
For illustration purposes only



- 3355P** Idler arm, power steering, with bushings..... 67.46
- 3355M** Idler arm, manual steering, with bushings and seals..... 79.18
- 3356PK** Bushing kit, idler arm with power steering..... 22.95
- HWK251** Idler arm to bushings, power steering, 6 pieces..... 2.75
- 3356M** Bushing kit, idler arm with manual steering..... 19.95
- NOTE** For Zerk fittings see #358032S
- 3359K** Idler arm seal kit, manual steering, pair ..... 4.20



**3280 - Tie Rod**

- 3280** Inner tie rod end, RH, 55-57 ..... 51.95
- 3281** Inner tie rod end, LH, 55-57 ..... 51.95
- NOTE** For 1955 you must also replace both 3A130
- HWK1** Tie rods & ends to drag link & spindle arms  
8 pieces, 2 sides..... 4.40



**3304PS - Drag Link**

- 3304PS** Drag link, power steering..... 245.00



**3310 - Tie Rod Adjusting Sleeve**

- 3310** Sleeve, tie rod to tie rod end..... 11.50
- 3332A** Seal, tie rods and ends, original type ..... 2.25
- 3332B** Seal, pitman arm ball stud ..... 0.95



**3A351K - Crush Nut**

- 3A351K** Crush nut, with hardware and instructions..... 7.95
- 3351M** Bracket, manual steering idler arm mounting ..... 34.95
- 3351P** Bracket, power steering idler arm mounting ..... 114.95
- HWK250A** Idler arm bracket to frame, power steering, 9 pieces..... 4.50
- HWK250B** Idler arm bracket to frame, manual steering, 6 pieces ..... 3.95



**3351P - Idler Arm Bracket**

Front End Rebuild Kit includes 2 upper ball joints, 2 lower ball joints, 1 correct set ball joint washers, 2 inner and 2 outer tie rods with sleeves, upper and lower bumpers, 8 control arm bushings with a set of correct washers, plain or zinc plated, 2 sway bar links and 2 sway bar mounting bushings, coil spring insulator pads and idler arm bushings, order either manual or power steering.

- 3400AK** 55-57 manual steering with plain washers ..... 495.00
- 3400BK** 55-57 manual steering with zinc plated washers..... 495.00
- 3400CK** 55-57 power steering with plain washers..... 495.00
- 3400DK** 55-57 power steering with zinc plated washers ..... 495.00



**3504AX**

- 3504AX** Steering gear box, rebuilt, 55, R&R only..... 575.00
- 3504BX** Steering gear box, rebuilt, 56-57, R&R only..... 575.00
- NOTE** Core must be sent to rebuilder to inspect prior to exchange.
- NOTE** Returned cores must be completely drained.
- NOTE** Rebuild price does not include new gears or cases,  
EXTRA CHARGES WILL BE ADVISED.



**3511**



**3512**

- HWK252** Steering box to frame, 6 pieces ..... 4.95
- 3511A** Steering column, hub, 55 ..... 45.95
- 3511B** Steering column, hub, 56-57..... 45.95
- 3C511** Bracket, cast, power steering pump mounting ..... 52.25
- NOTE** For mounting bolt see 354126.
- 3512** Grommet, steering column to firewall ..... 8.75



**3511A**



**3526A**



**3526B**



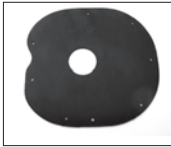
**3669A**



**3669B**



**3A673**



**3513A**



**3513B**

**Steering Column Seal**

- 3513A** Seal, steering column, automatic transmission ..... 5.00
- 3513B** Seal, steering column, standard transmission ..... 5.00
- HWK95** Steering column seal plates to firewall, 9 pieces ..... 1.90
- 3517** Bearing, upper steering shaft ..... 33.95



**3524D - Steering Shaft**

- 3524D** Shaft, steering, lower, 12½" long, splined ..... 95.00



**Steering Box Overhaul Kit**

- 3525K** Steering box overhaul kit, (consisting of 2-3576, 1-3591, 1-3581, 1-3552, 1-3553, 2-3571, 6-3593, 1-3738) .....
- 3525AK** 55 two tooth sector type ..... 169.95
- 3525BK** 56-57 three tooth sector type ..... 180.95

- 3526A** Steering column adjusting sleeve, 55 ..... 58.95
- 3526B** Steering column adjusting sleeve, 56-57 ..... 58.95
- 3528** Spring and seal kit for 3597 ..... 16.95
- ACC57** Steering column collar wrench ..... 52.95
- 3A533B** Kit, power steering ball stud repair, 57 ..... 42.95
- 33538** Filter, power steering pump reservoir, 3" diameter ..... 19.95

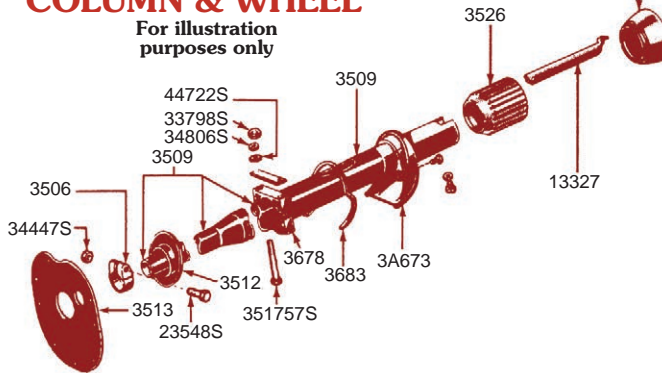


**3A540B - Ram Cylinder**

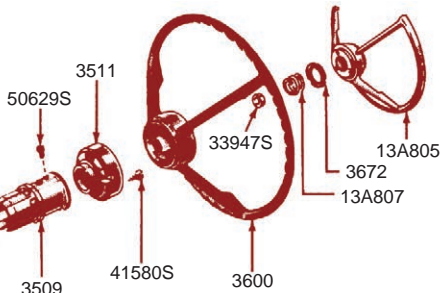
- 3A540AAX** Ram cylinder, power steering, R&R only, early 55, with external tube ..... 205.95
- 3A540AX** Ram cylinder, power steering, R&R only, 55-56/early 57 ..... 205.95
- 3A540BX** Ram cylinder, power steering, R&R only, 57 ..... 205.95
- CORE••** Core must be sent first
- NOTE••** Cores must be completely drained
- NOTE••** Flush system before installing rams
- 3A540A** Ram cylinder, power steering, new, 55-56/early 57, with bushings 259.95
- 3A540B** Ram cylinder, power steering, new, 57, with bushings ..... 259.95

**STEERING COLUMN & WHEEL**

For illustration purposes only



- 33547** O-ring, power steering can to pump, 2 required. .... 1.50
- 3552** Cup, steering worm bearing, lower ..... 13.00
- 3553** Cup, steering worm bearing, upper ..... 34.95
- 3562** Bracket, power steering pump to exhaust manifold ..... 47.95
- 3B563A** Reinforcement plate, power steering reservoir can, 4 hole, 55-57 .. 5.95
- 3B563B** Reinforcement plate, power steering reservoir can, 2 hole, late 57 .. 5.95
- 3571** Bearing, steering worm roller thrust bearing ..... 14.00
- 3576A** Bearing steering sector shaft, 55, 2 tooth ..... 12.00
- 3576B** Bearing steering sector shaft, 56-57, 3 tooth ..... 15.00
- 3577** Screw, sector shaft adjusting ..... 9.95
- 3581** Gasket, steering sector housing or housing cover ..... 1.75
- 3A582** Cover lid, power steering reservoir can, 55-57 ..... 22.95
- 3B584** Kit, power steering pump, seal and gasket ..... 22.95
- 3588K** Kit, power steering ram cylinder seal and mount. Contains 1-3C589BK, 1-3C590 and 1-3A764
- 3588AAK** Above kit for early 55 ..... 28.95
- 3588AK** Above kit for 55-56 ..... 29.50
- 3588BK** Above kit for 57 ..... 30.95
- 3C589BK** Bushings only, power steering cylinder end mounting, pair ..... 3.50
- 3C590B** Kit, power steering piston rod end bushings, 57 ..... 7.50
- 3C590C** Kit, power steering ram mounting, includes 3C590A, 3C590BK, large washers and nuts, 55-56 ..... 17.95
- 3C590D** 57-60 ..... 17.95
- 3591A** Seal, sector, 2 tooth ..... 14.95
- 3591B** Seal, sector, 3 tooth ..... 14.95
- 3593A** Gasket, shim, .002" thickness ..... 0.85
- 3593C** Gasket, shim, .005" thickness ..... 0.85
- 3597** Plate and tube assembly, steering gear housing end ..... 10.75
- 3600R** New 15" steering wheel with horn ring, 56-57, black ..... 389.00
- 3600D** Steering wheel, 56-57 black ..... 350.00
- 3600E** Steering wheel, 56 peacock ..... 350.00
- 3600F** Steering wheel, 56 red ..... 350.00
- 3600I** Steering wheel, 57 red ..... 350.00
- 3600J** Steering wheel, 57 white ..... 350.00
- 3600K** Steering wheel, 57 blue ..... 350.00
- 3600X** Steering wheel, 56-57 unpainted ..... 295.00
- 3A609** Insulator, power steering hose bracket ..... 7.50
- 3A610** Bracket and retainer, power steering hose to frame. Includes: 1-3A610, 1-3A611, with attaching hardware ..... 22.95
- 3A642** Gasket, power steering reservoir lid ..... 2.95
- 3A650AA** Kit, power steering control valve seal, early 55 ..... 19.95
- 3A650A** Kit, power steering control valve seal, 55-56 ..... 34.95
- 3A650B** Kit, power steering control valve seal, 57 ..... 10.95
- 3C667A** Filter holder, power steering pump, for 3A674AX ..... 12.95
- 3C667B** Filter holder, power steering pump, for 3A674BX ..... 12.95
- 3669A** Steering column collar, 55 ..... 45.95
- 3669B** Steering column collar, 56-57 ..... 45.95

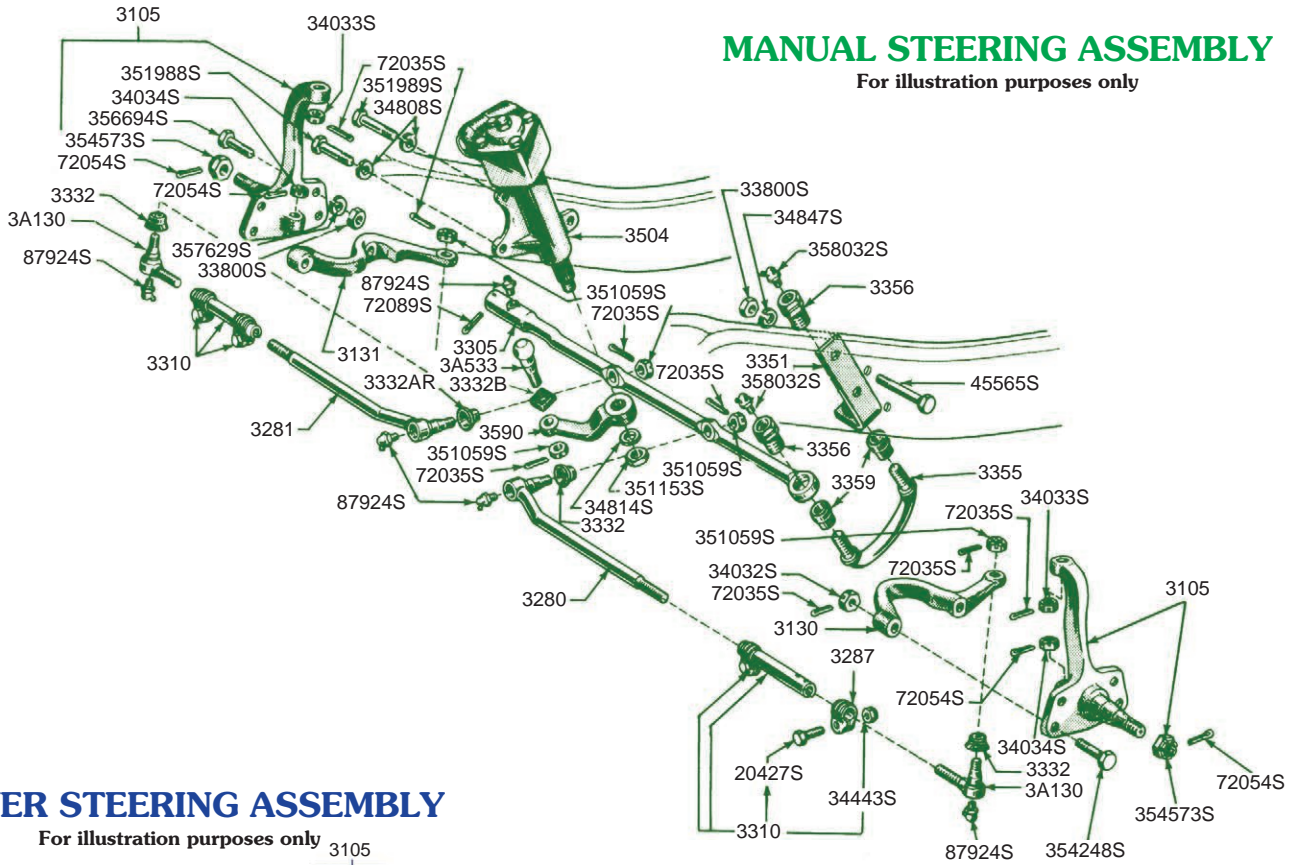


**3A674**

- 3672** Insulator, horn ring, 56-57 ..... 1.10
- 3A673** Steering column horseshoe collar, 55-57 ..... 45.95
- 3A674AX** Pump, power steering, rebuilt, R&R only, 55-56 and early 57, female hose fitting, return line connects to pump ..... 199.00
- 3A674BX** Pump, power steering, rebuilt, R&R only, late 57 type, uses male hose fitting, return line connects to can ..... 199.00
- NOTE••** Core must be sent to rebuilder to inspect prior to exchange and Cores must be completely drained.
- NOTE••** Rebuilt pumps do not include pulley, reservoir can or brackets.
- 3683A** Insulator, steering column bracket, at dash, black, 56-57 ..... 6.00
- 3683B** Insulator, steering column bracket, at dash, white, 55 ..... 6.00
- HWK122** Steering column collar to dash, 4 pieces ..... 1.95
- 3B688** Spring, power steering filter retaining ..... 3.50

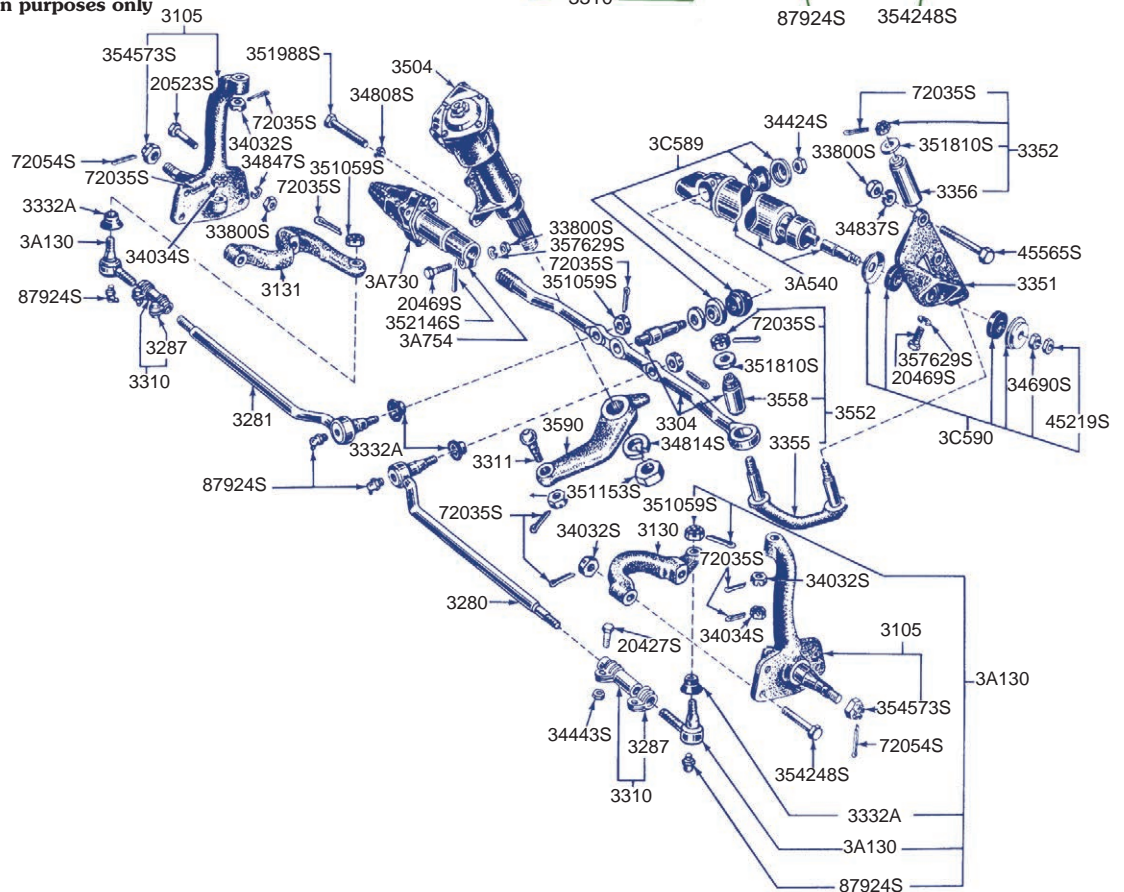
**MANUAL STEERING ASSEMBLY**

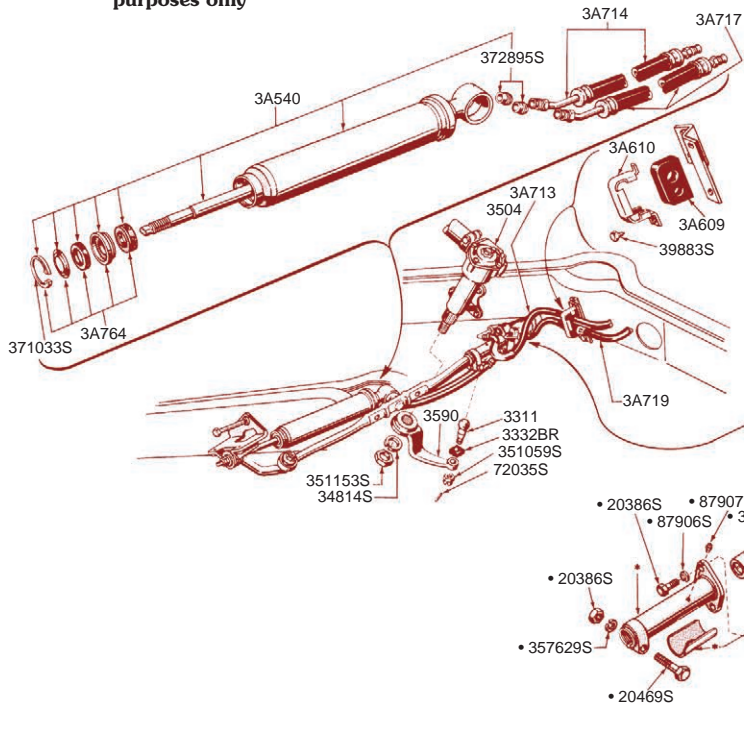
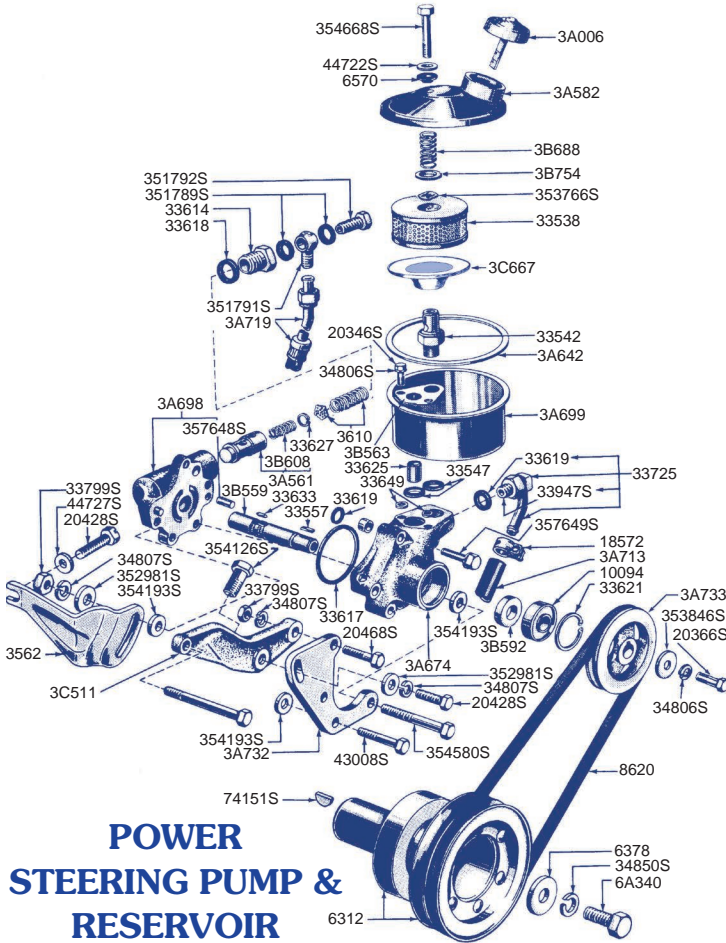
For illustration purposes only



**POWER STEERING ASSEMBLY**

For illustration purposes only





- 3A699A** Without return hose nipple 3A674AX 55-57..... 34.95
- 3A699B** With return hose nipple out bottom of can, for 3A674BX late 57 ..... 34.95
- 3A699C** With return hose nipple out rear of can pointed 45 degrees downward, 55-56 passenger car ..... 34.95
- 3A699D** With return hose nipple at rear of can pointed 45 degrees down and 45 degrees toward carburetor, 57 passenger car..... 34.95



**3A754**



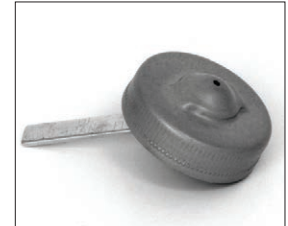
**3B563A**



**3B563B**



**3A582**



**3A006**



**3C667B**



**3B754**

## POWER STEERING CONTROL VALVE & RAM CYLINDER

For illustration purposes only


• PART OF 3A730 ASSEMBLY  
• PART OF A KIT

<b>3C705</b>	55-57, control valve end cap.....	16.95
<b>3A713</b>	Hose, power steering return line.....	21.75
<b>3A714A</b>	Hose, power steering control valve to cylinder, 55-early 57 ..	22.25
<b>3A714B</b>	Hose, power steering control valve to cylinder, 57 .....	20.50
<b>3A717</b>	Hose, power steering control valve to cylinder, 55-early 57 ..	22.50
<b>3A719A</b>	Hose, power steering pressure line with female fitting on top end, 55-57.....	35.75
<b>3A719B</b>	Hose, power steering pressure line with male fitting on top end, late 57 .....	35.50

<b>5486</b>	Bracket, front stabilizer bar insulator.....	9.95
-------------	--	------



**5A486 - Stabilizer End Repair Kit**



**3720K - Power Steering Hoses**

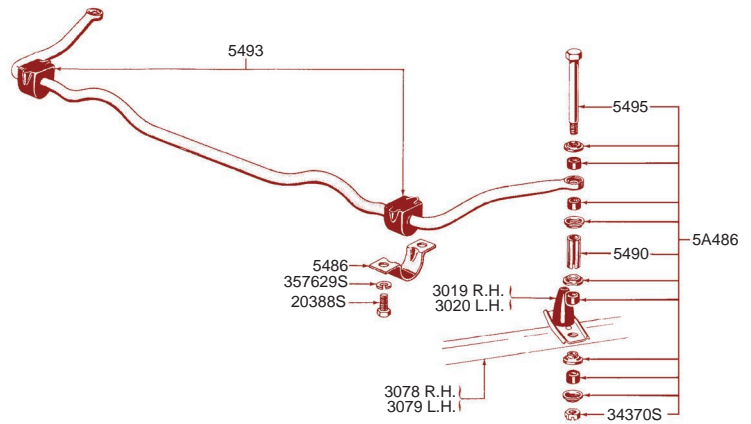
<b>3720K</b>	Kit, power steering hoses, contains 1-3A713, 1-3A714A, 1-3A717 and 1-3A719A, 55-56 .....	98.50
<b>3721AK</b>	Kit, power steering hoses, early 57 3A719, with female fitting on top, contains 1-3A713, 2-3A714B, and 1-3A719A.....	94.00
<b>3721BK</b>	Kit, power steering hoses, late 57 3A719, with male fitting on top, contains 1-3A713, 2-3A714B, and 1-3A719B.....	93.50

<b>5A486</b>	Kit, stabilizer end repair, 2 required .....	16.50
<b>5A487K</b>	Kit, stabilizer end repair, enough parts for both sides of the front stabilizer bar .....	31.00
<b>5493</b>	Insulator, stabilizer bar, pair.....	11.50
<b>•HWK253</b>	Stabilizer arm brackets (5486) to frame, 12 pieces, 2 sides .....	2.95



**Ball Stud Shields**

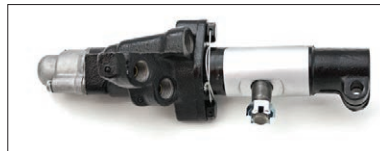
<b>3A728A</b>	Shield, ball stud, control valve, 55-56 .....	5.50
<b>3A728B</b>	Shield, ball stud, control valve, 57 .....	5.50



**STABILIZER SWAY BAR ASSEMBLY**

For illustration purposes only

**3A730AAX - Power Steering Control Valve**



<b>3A730AAX</b>	Control valve, power steering, rebuilt, R&R only, early 55 with built in cast clamp .....	210.95
<b>3A730AX</b>	Control valve, power steering, rebuilt, R&R only, 55-early 57.....	210.95
<b>3A730BX</b>	Control valve, power steering, rebuilt, R&R only, 57 ..	210.95
<b>•HWK277</b>	Power steering valve to pitman arm, 2 pieces .....	0.60
<b>••NOTE••</b>	Caution must be used in removing control valve ball stud from drag link. Do not use a pickle fork to remove.	
<b>••NOTE••</b>	Core must be sent to rebuilder to inspect prior to exchange and Cores must be completely drained.	
<b>3A732</b>	Bracket, power steering pump, front .....	19.95
<b>3A733</b>	Pulley, power steering pump, exact reproduction balanced like original .....	49.95
<b>3738</b>	Seal, steering input shaft.....	6.95
<b>3A754</b>	Control valve clamp.....	13.00
<b>3B754</b>	Stamp washer, for top of power steering filter, 55-57 .....	2.95
<b>3A764A</b>	Kit, ram cylinder seal, 55-56.....	15.40
<b>3A764B</b>	Kit, ram cylinder seal, 57 .....	14.95
<b>3A764R</b>	Kit, ram cylinder, early 55 with external tube.....	19.95

**STABILIZER SWAY BAR KIT**

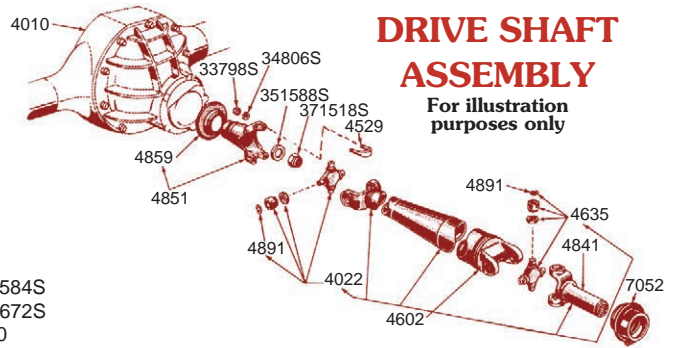
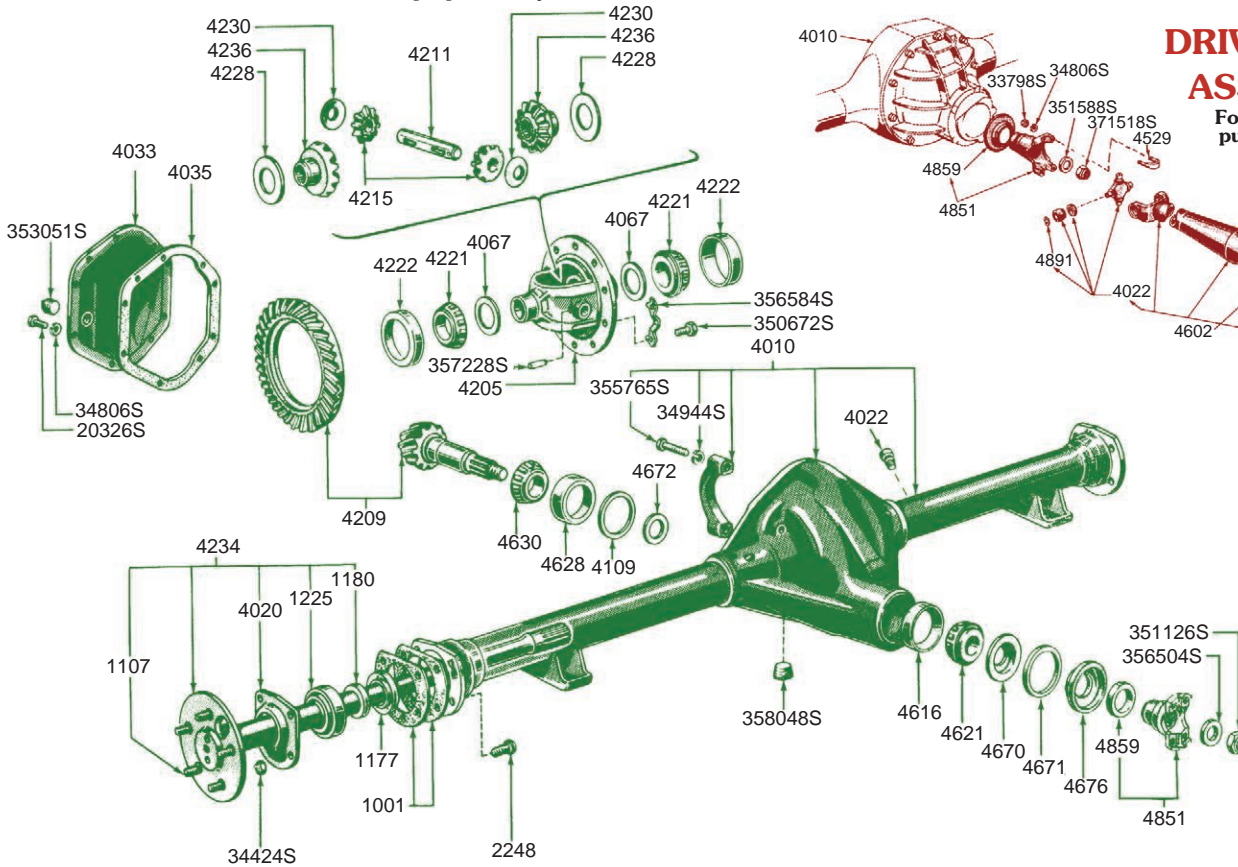
Finally you can make your Thunderbird handle like Ford Motor Co. would have liked it to handle! This kit includes front and rear heavy duty sway bars (7/8" in diameter), four KYB gas filled shock absorbers, bushings, mounting brackets, attaching hardware and instructions. This kit improves the car's handling, gives you a more controlled firmer ride, reduces tire wear and tire squeal, and reduces under steer and wheel hop. Hundreds have been sold to satisfied customers.

<b>5482K</b>	Front + Rear sway bar with shocks.....	525.00
<b>5482F</b>	Front sway bar with bushings .....	225.95
<b>5482R</b>	Rear sway bar with bushings .....	215.95

**10% Quantity Discount On \$1000 Orders! See Ordering And Shipping Policy For More Information.**

## 1955 - 56 DIFFERENTIAL ASSEMBLY

For illustration purposes only

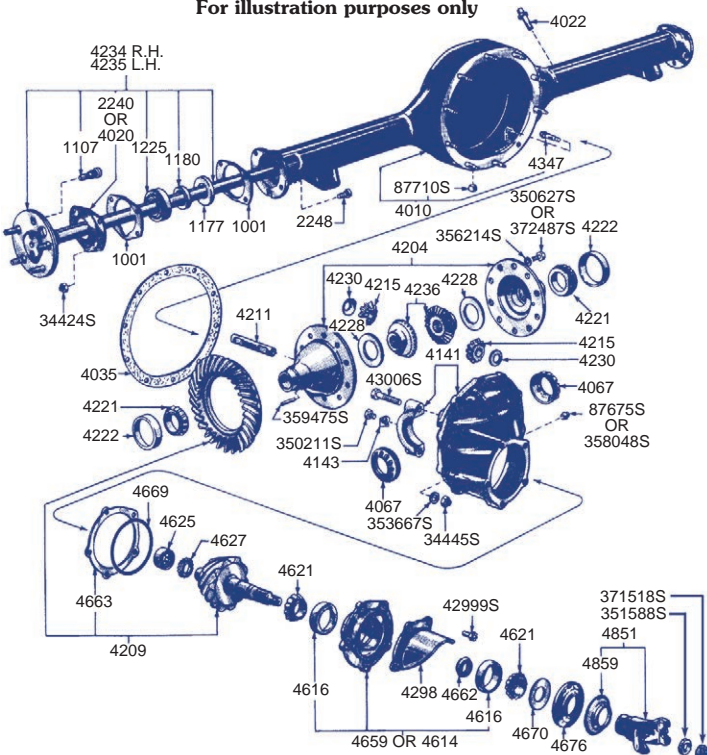


## DRIVE SHAFT ASSEMBLY

For illustration purposes only

## 1957 DIFFERENTIAL ASSEMBLY

For illustration purposes only



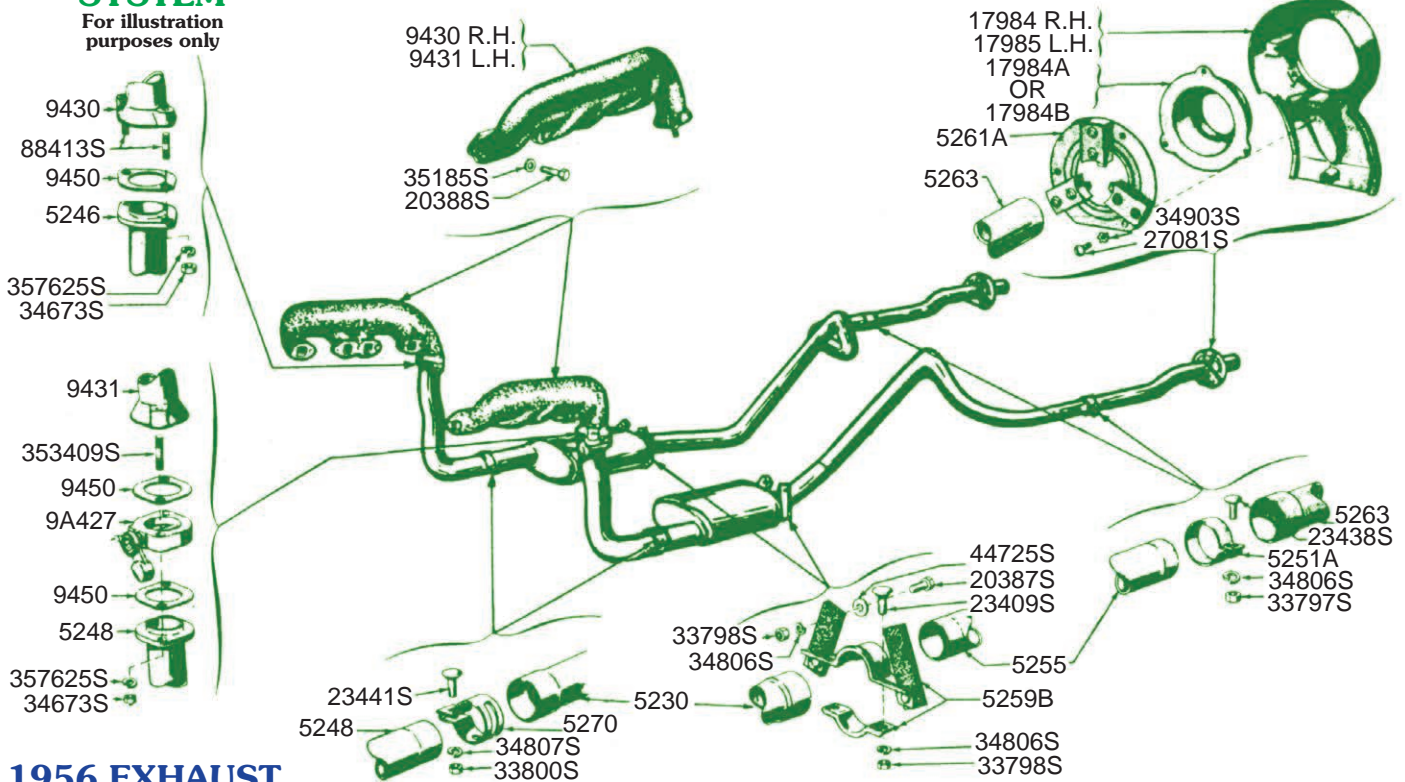
<b>4022B</b>	57 rear brake breather bolt.....	21.80
<b>4035A</b>	Gasket, rear axle cover, 55-56.....	3.95
<b>•HWK268</b>	Rear axle housing cover, 55-56, 20 pieces.....	4.95
<b>4035B</b>	Gasket, rear axle carrier, 57.....	5.95
<b>•HWK269</b>	Differential 3rd member to axle housing, 57, 10 pieces.....	14.70
<b>4221</b>	Bearing, differential carrier, 57.....	17.95
<b>4222</b>	Cup, differential carrier bearing, big, 57.....	9.95
<b>4616A</b>	Cup, driving pinion bearing, 55-56.....	8.95
<b>4616B</b>	Cup, driving pinion bearing, 57.....	7.75
<b>4621A</b>	Bearing, driving pinion, 55-56.....	21.95
<b>4621B</b>	Bearing, driving pinion, 57.....	14.65
<b>4625</b>	Bearing assembly, driving pinion pilot, 57.....	33.35
<b>4627</b>	Retainer, driving pinion pilot bearing, 57.....	19.95
<b>4628</b>	Cup, driving pinion bearing, rear 55-56.....	11.75
<b>4630</b>	Bearing, driving pinion, rear, 55-56.....	23.95
<b>4635A</b>	Kit, universal joint, front, 55.....	16.45
<b>4635B</b>	Kit, universal joint, rear, 55.....	31.50
<b>4635C</b>	Kit, universal joint, front or rear, 56-57.....	16.00
<b>•HWK270</b>	Universal joint U bolt nuts & washers, 8 pieces.....	1.25
<b>4662</b>	Spacer, driving pinion bearing.....	8.50
<b>4669</b>	O-ring, driving pinion bearing retainer.....	4.95
<b>4670B</b>	Slinger, driving pinion shaft oil, 57.....	2.95
<b>4671</b>	Gasket, rear differential, 55-56.....	1.05
<b>4676A</b>	Seal, pinion, 55-56.....	15.25
<b>4676B</b>	Seal, pinion, 57.....	28.95
<b>4841B</b>	56 3 speed transmission slip yoke, 16 teeth.....	239.95
<b>4851A</b>	55-56 differential yoke repair sleeve.....	37.95
<b>4851B</b>	57-58 differential yoke repair sleeve.....	36.50



1955 EXHAUST SYSTEM

SYSTEM

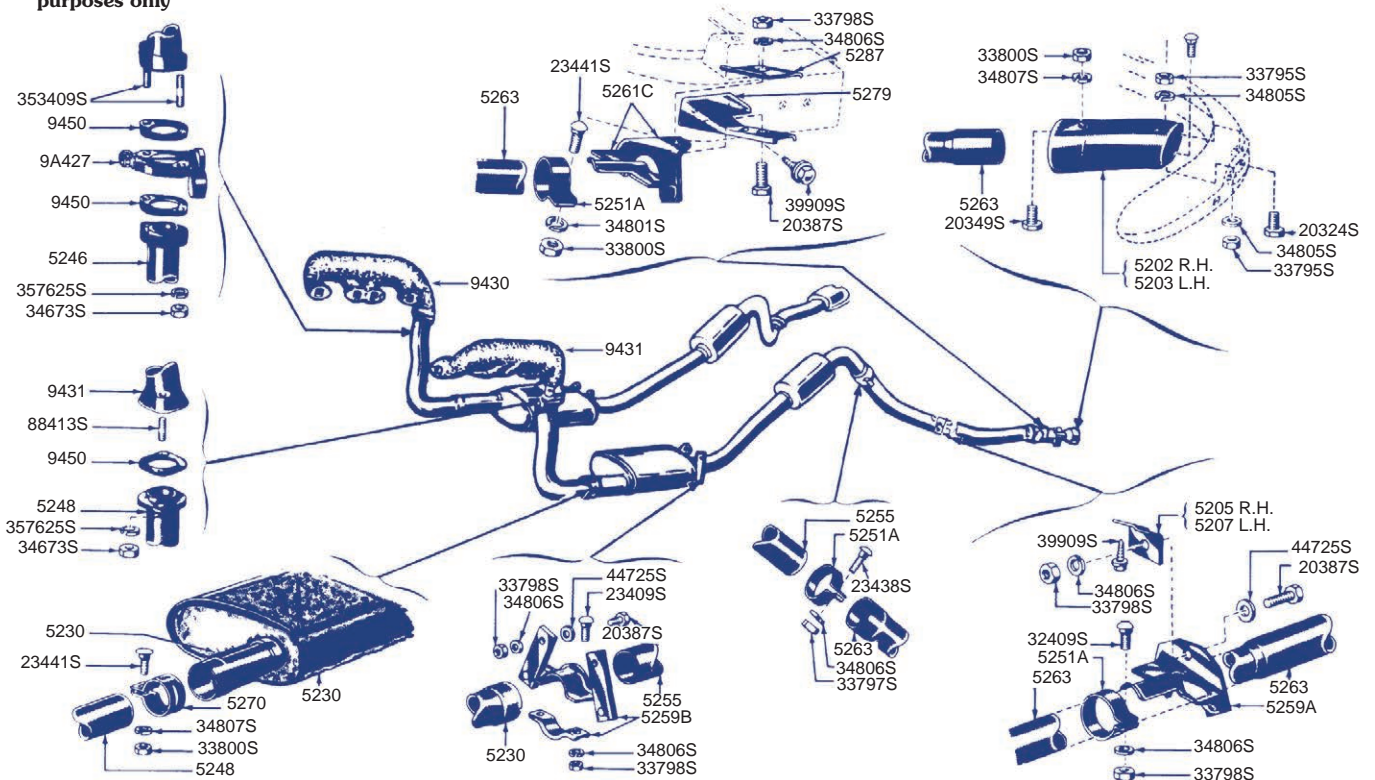
For illustration purposes only



1956 EXHAUST SYSTEM

SYSTEM

For illustration purposes only





**5008K - Bumper and Clip Kit**

<b>5006</b>	Clip, frame rubber insulator bumper.....	0.35
<b>5007</b>	Bumper, frame to body insulator.....	2.10
<b>5008K</b>	Bumper and clip kit, frame to body insulators, consists of 10-5006 and 10-5007 .....	21.25
<b>5009AK</b>	Body bolt and washer kit, 55, 46 pieces.....	79.95
<b>5009BK</b>	Body bolt and washer kit, 56, 52 pieces.....	79.95
<b>5009CK</b>	Body bolt and washer kit, 57, 46 pieces.....	79.95

**Exhaust Pipe Kits**

Includes 5246/5248 header pipes, mufflers and exhaust pipes.

<b>5200AK</b>	55 aluminized exhaust pipe kit .....	385.00
<b>5200AKSS</b>	55 stainless steel exhaust pipe kit .....	995.00
<b>5200BK</b>	56 aluminized exhaust pipe kit, without resonators.....	385.00
<b>5200BKSS</b>	56 stainless steel exhaust pipe kit, without resonators... ..	1190.00
<b>5200CK</b>	56 aluminized exhaust pipe kit with resonators.....	575.00
<b>5200CKSS</b>	56 stainless steel exhaust pipe kit with resonators .....	1190.00
<b>5200DK</b>	57 aluminized exhaust pipe kit, 2 piece pipes w/o resonators ..	385.00
<b>5200DKSS</b>	57 stainless steel exhaust pipe kit, 2 piece pipes w/o resonators	1190.00
<b>5200EK</b>	57 aluminized exhaust pipe kit, 2 piece pipes with resonators..	575.00
<b>5200EKSS</b>	57 stainless steel exhaust pipe kit, 2 piece pipes with resonators .	1190.00

•• NOTE •• See 5256 for installation kits.

<b>5202A</b>	Deflector, exhaust, RH, 56 .....	34.95
<b>5203A</b>	Deflector, exhaust, LH, 56 .....	34.95
<b>5202B</b>	Deflector, exhaust, RH or LH, 57 .....	36.40
<b>•HWK2</b>	Exhaust deflectors to bumper & brackets, 56 22 pieces, 2 sides.....	7.50
<b>•HWK3</b>	Exhaust deflectors to bumper, 57, 12 pieces, 2 sides.....	13.95
<b>5205</b>	Bracket, tailpipe hanger to frame, intermediate RH, 56-57 .....	5.57
<b>5207</b>	Bracket, tailpipe hanger to frame, intermediate LH, 56-57 .....	5.57
<b>5230</b>	Muffler .....	80.00
<b>5230SS</b>	Muffler, stainless steel .....	295.75
<b>5246</b>	Pipe, muffler inlet, carbon steel, RH.....	49.95
<b>5246SS-SS</b>	Pipe, muffler inlet, stainless steel with stainless flange, RH.....	150.00
<b>5248</b>	Pipe, muffler inlet, LH.....	49.95
<b>5248SS-SS</b>	Pipe, muffler inlet, stainless steel with stainless flange, LH .....	150.00
<b>•HWK240A</b>	Exhaust manifold studs & brass nuts to header pipes, 6 pieces, 1 side, RH.....	9.95
<b>•HWK240B</b>	Exhaust manifold studs & brass nuts to header pipes, 6 pieces, 1 side, LH.....	8.95
<b>5251A</b>	Clamp, tail pipe, intermediate 55-56, rear 56.....	7.95
<b>5251ASS</b>	Clamp as above, stainless steel.....	9.75
<b>5251B</b>	Clamp, tail pipe, intermediate 57 .....	7.70
<b>5251BSS</b>	Clamp as above, stainless steel.....	7.75
<b>5251C</b>	Clamp, tail pipe, rear 57 .....	6.65
<b>5251CSS</b>	Clamp as above, stainless steel.....	10.35
<b>5255</b>	Pipe, muffler outlet, without resonator. Both carbon steel and stainless steel pipes are available.	

•• NOTE •• See 5255 for front half of pipe, see 5263 for rear half.

		Aluminized Steel	Stainless Steel
<b>Pipe, muffler outlet without resonator</b>			
<b>5255A</b>	RH 55, also see 5263A .....	60.25	115.26
<b>5255B</b>	LH 55, also see 5263A.....	60.25	115.26
<b>5255C</b>	RH 56, also see 5263B.....	58.70	115.00
<b>5255D</b>	LH 56-57, also see 5263C.....	58.70	115.00
<b>5255M</b>	RH 57, 2 piece type, also see 5263D.....	45.90	115.26
<b>Pipe, muffler outlet with resonator</b>			
<b>5255G</b>	RH 56, also see 5263B.....	99.95	272.34
<b>5255H</b>	LH 56, also see 5263C.....	99.95	272.34
<b>5255K</b>	RH 57, 2 piece type, also see 5263D.....	99.95	272.34
<b>5255L</b>	LH 57, 2 piece type, also see 5263E.....	120.00	175.00



**5256-A - Exhaust System Installation Kit 1955**

<b>5256A</b>	55, Consists of: 2-5270, 2-5259-B, 2-5251-A, 2-5261-A, 4-20387S, 4-33798S, 4-34806S, & 4-44722S.....	89.95
--------------	--	-------



**5256-B - Exhaust System Installation Kit 1956**

<b>5256B</b>	56, Consists of: 2-5270, 2-5259-B, 1-5205-, 1-5207-, 2-5259-A, 1-5278, 1-5279, 2-5261-C, 2-5287, 4-5251-A, 8-20387S, 8-33798S, 8-34806, 8-44722S, & 4-39909S.....	172.00
--------------	---	--------



**5256-C - Exhaust System Installation Kit 1957**

<b>5256C</b>	57, Consists of: 2-5270, 2-5259-B, 1-5205, 1-5207, 2-5259-A, 2-5261-B, 2-5251-B, 2-5251-C, 10-20387S, 10-33798S, 10-34806S, 10-44722S, 4-354926S, & 8-A3615 .....	169.00
--------------	---	--------

<b>5259A</b>	Hanger, tail pipe, intermediate, RH or LH, 56-57 each .....	14.00
<b>5259B</b>	Hanger assembly rear muffler, 55-57 .....	19.08
<b>5259BSS</b>	Hanger as above, stainless steel .....	33.95
<b>5261A</b>	Hanger assembly rear of tail pipe; screws into bumper guard, 55 .....	16.30
<b>•HWK271</b>	Rear exhaust hangers (5261A) to bumper guards, 55 12 pieces, 2 sides.....	1.75
<b>5261B</b>	Hanger assembly rear of tail pipe, 57.....	16.00
<b>5261BSS</b>	Hanger assembly as above, stainless steel.....	19.90
<b>5261C</b>	Hanger assembly rear of tail pipe, 56.....	11.20

		Aluminized Steel	Stainless Steel
<b>Tail Pipe</b>			
<b>5263A</b>	55, RH or LH, also see 5255A and 5255B .....	28.00	102.00
<b>5263B</b>	56, RH, also see 5255C and 5255G .....	37.25	118.00
<b>5263C</b>	56, LH, also see 5255D and 5255H.....	37.25	118.00
<b>5263D</b>	57, RH, 2 piece type, also see 5255M and K.....	65.50	90.00
<b>5263E</b>	57, LH, 2 piece type, also see 5255N and L.....	65.50	90.00

•• NOTE •• These are 2 piece exhaust systems see also 5255 for front half

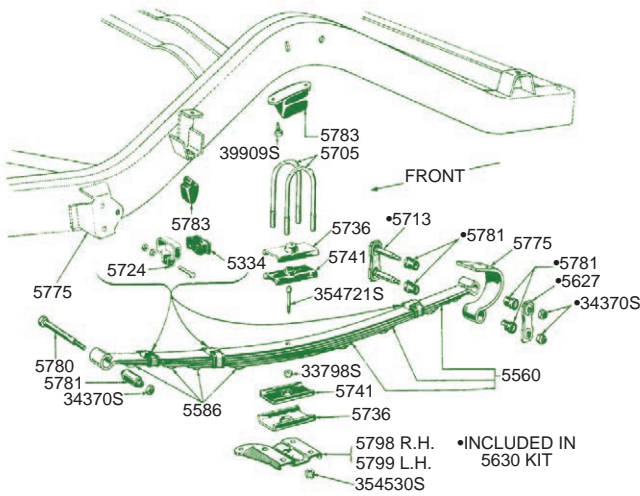
<b>5263FB</b>	Fake exhaust tips, chrome, 55 late fluted inserts, pair ...	16.95
<b>5270</b>	Clamp, front muffler, 2", split type .....	9.30
<b>5278</b>	Bracket, tail pipe hanger rear, RH, 56 .....	11.20
<b>5279</b>	Bracket, tail pipe hanger rear, LH, 56 .....	11.20
<b>5287</b>	Plate, rear tail pipe hanger clamping, 56 .....	3.37
<b>5310</b>	Spring, front coil .....	80.00
<b>5334</b>	Liner, rear spring clamp, rubber .....	1.55
<b>5355</b>	Spacer, front spring, LH .....	9.95
<b>5415</b>	Insulator, front spring .....	5.25
<b>5482K</b>	See sway bar information on page 24 .....	525.00
<b>5482F</b>	Front sway bar with bushings .....	225.95
<b>5482R</b>	Rear sway bar with bushings .....	215.95

<b>5486</b>	Bracket, front stabilizer bar insulator .....	9.95
<b>5A486</b>	Kit, stabilizer end repair, 2 required .....	16.50
<b>5A487K</b>	Kit, stabilizer end repair, enough parts for both sides of the front stabilizer bar .....	31.00
<b>5493</b>	Insulator, stabilizer bar, pair .....	11.50
<b>•HWK253</b>	Stabilizer arm brackets (5486) to frame, 12 pieces, 2 sides ..	2.95
<b>5560A</b>	Leaf spring, rear, 55, with 5781B .....	250.00
<b>5560B</b>	Leaf spring, rear, 56-57, with 5781C .....	250.00
<b>•HWK263</b>	Rear spring U bolt nuts, 4 pieces, 1 side .....	3.00
<b>5586</b>	Anti squeak pad, plastic .....	1.52
<b>5586B</b>	Anti squeak pad, as original with wax coating .....	2.95
<b>5586K</b>	Set of 12 5586B .....	34.95
<b>5630</b>	Kit, rear spring shackle, 2 required per car .....	16.95

<b>5631AK</b>	<b>Rear spring shackle and bushing kit, 55, consisting of 2-5780, 2-5781, 2-5630 &amp; 4-5741 .....</b>	<b>76.95</b>
<b>5631BK</b>	56/57 as above .....	76.95

**REAR SPRING ASSEMBLY**

For illustration purposes only



<b>5705A</b>	U bolt, rear spring, 55-56 .....	11.50
<b>5705B</b>	U bolt, rear spring, 57 .....	11.50
<b>5724</b>	Clamp, rear spring, 6 required .....	7.95
<b>5736</b>	Retainer, rear spring center mounting .....	9.00
<b>5741</b>	Insulator, rear spring mounting .....	6.95
<b>5780B</b>	Bolt, rear spring front hanger, 55-57 .....	10.05
<b>5781A</b>	Bushing, rear spring, rear shackle, 4 required per spring ..	2.25
<b>5781B</b>	Bushing, rear spring, front, 1 required per spring, 55 .....	9.50
<b>5781C</b>	Bushing, rear spring, front, 1 required per spring, 56-57 ..	9.25

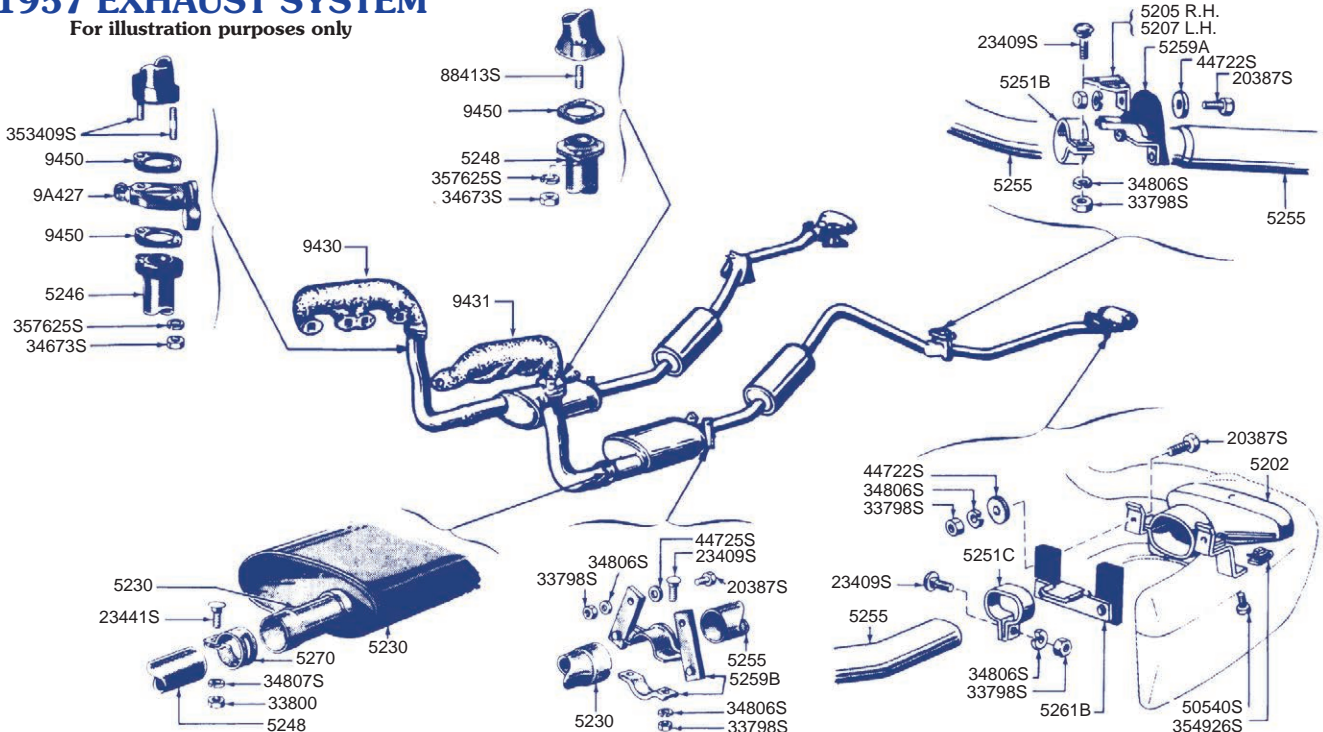


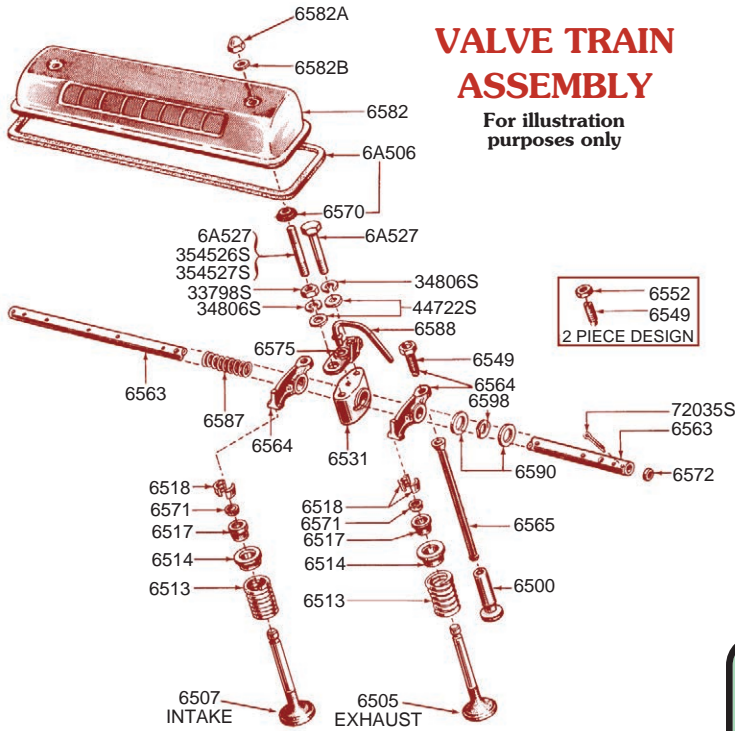
**Axle and Differential Bumpers**

<b>5783</b>	Bumper, differential, 57 .....	6.70
<b>5783A</b>	Bumper, rear axle, 56-57 .....	6.50
<b>5783B</b>	Bumper, rear spring, 55-56 .....	6.50
<b>5783C</b>	Bumper and plate assembly, rear axle, 55 .....	10.75

**1957 EXHAUST SYSTEM**

For illustration purposes only



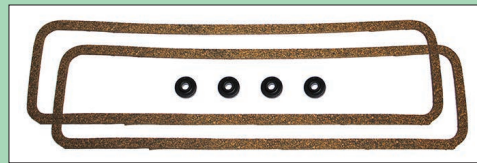


**VALVE TRAIN ASSEMBLY**

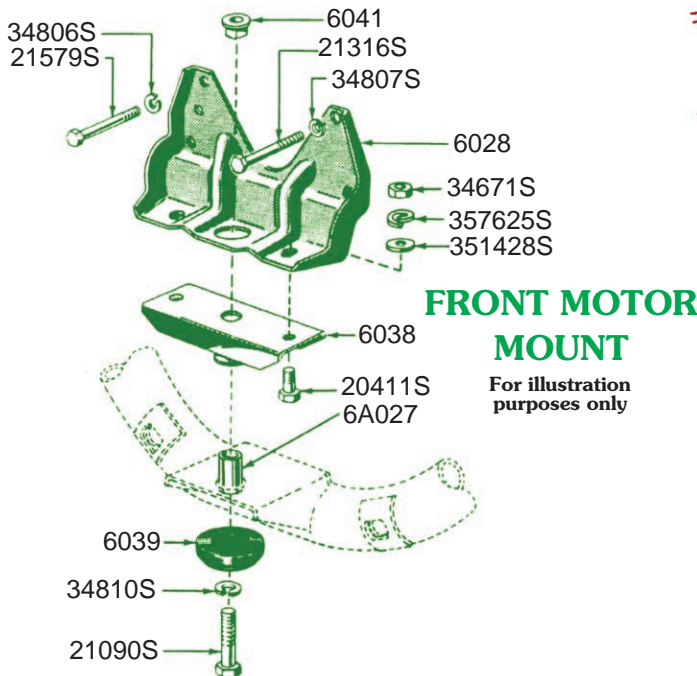
For illustration purposes only

- 6008 Complete gasket set, engine overhaul does not include 6698 ..... 186.95
- 6020 Gasket, timing chain cover ..... 5.50
- 6023 Pointer, engine timing ..... 20.25
- 6026KB Freeze plug set, brass ..... 14.99
- 6026KS Freeze plug set, steel ..... 9.95
- 6A027 Spacer, engine front support, 1 3/8" long ..... 4.25
- 6038 Insulator, engine front mount ..... 30.25
- HWK235 Front motor mount to engine bracket, 10 pieces ..... 4.95
- 6039 Insulator, engine support, lower ..... 8.95
- 6041 Nut, engine front support insulator bolt ..... 7.95
- 6049 Gasket, cylinder head, bare, replacement type, 292 ..... 195.00
- 6051 Gasket, cylinder head, composition type ..... 29.95
- 6054 Retainer clamp, transmission mount ..... 38.95

- 6068A Transmission mount, 55-56 ..... 19.50
- 6068B Transmission mount, 57 ..... 16.95
- HWK265 Transmission mount to frame, 6 pieces ..... 3.95
- HWK266 Transmission cross brace to frame, 55-56, 18 pieces ..... 4.50
- HWK267A Transmission mount to frame & transmission, automatic, 12 pieces ..... 5.50
- HWK267B Transmission mount to frame & transmission, standard, 12 pieces ..... 5.95
- 6079 Valve grind gasket set ..... 169.95
- 6312X Harmonic balancer and pulley assembly, rebuilt, R&R only.. 345.00
- NOTE•• Cores must have straight riveted pulleys with the weight
- ACC53 Harmonic balancer removal tool ..... 49.95
- ACC58 Harmonic balancer installation tool ..... 62.95
- 6312A Speed-e-sleeve to repair crankshaft damper ..... 18.25
- 6335A Rear main seal aluminum retainer, 292, includes neoprene seal.. 148.95
- 6335B Rear main seal aluminum retainer, 312, includes rope type seal.. 148.95
- 6336A Rear main seal, neoprene, 292 ..... 21.95
- 6336B Seal kit, rear main crankshaft and rear main bearing (rope), 312 ..... 21.95
- 6336C Rear main seal, silicone, 312 ..... 49.95
- 6375A Flex plate for automatic transmission ..... 61.95
- 6375S Flex plate spacers only ..... 6.00
- 6379 Flywheel bolts, 55-57 standard transmission, 6 pieces ..... 14.95
- 6384 Flywheel, ring gear, standard & overdrive transmission ..... 49.50
- NOTE•• For automatic transmission see 7950
- 6436 Seal, starter to flywheel housing as original ..... 14.25
- 6500 Valve lifter ..... 18.95

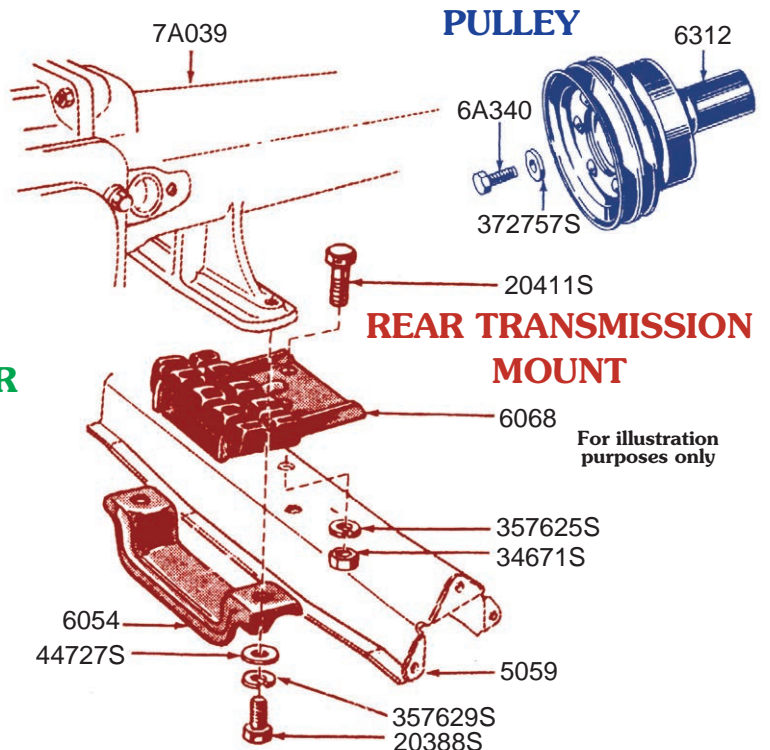


**6A506A - Valve Cover Gasket and Grommet Set**  
 6A506A Valve cover gasket and grommet set. Consists of 2-6584 gaskets & 4-6570A grommets. To be used with painted steel valve covers ..... 24.95



**FRONT MOTOR MOUNT**

For illustration purposes only

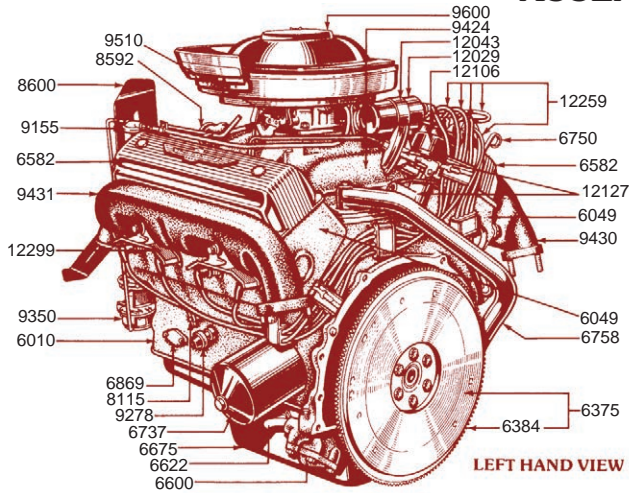


**REAR TRANSMISSION MOUNT**

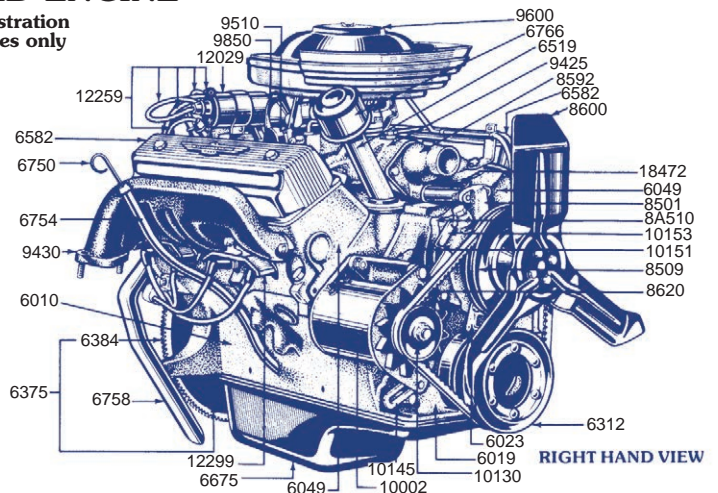
For illustration purposes only

ASSEMBLED ENGINE

For illustration purposes only



LEFT HAND VIEW



RIGHT HAND VIEW

- 6A506B** Valve cover gasket and grommet set. Consists of 2-6584 gaskets and 4-6570B grommets. To be used with aluminum valve covers..... 24.95
- HWK228** Aluminum valve cover complete hardware kit. Consists of long thread studs, chrome washers & acorn nuts, 12 pieces, 2 sides..... 19.95
- 6A507K** Valve cover gasket, grommet and hardware kit. All the necessary parts for the installation of aluminum valve covers. Consists of 2-6584 gaskets, 4-6A527 long studs, 4-6570B grommets, 4-6582B chrome washers and 4-6582A chrome acorn nuts ..... 50.95
- 6510A** Guide, intake valve, all except 57 292..... 1.95
- 6510B** Guide, exhaust valve, all except 57 292..... 1.95
- 6513** Spring, valve, engine ..... 3.20
- 6519E** Valley cover, dual carbs, early style..... 134.95
- 6521** Gasket, valley cover with 2-6570A grommets..... 10.95
- HWK220** Valley cover to engine, 4 pieces..... 2.10
- 6A527** Stud, rocker arm, long type used with aluminum valve covers, 4 required..... 4.50
- 6549** Adjusting screw, rocker arm, self locking hex type ..... 3.95
- 6563X** Rocker arm assembly, rebuilt, R&R only, pair..... 359.95
- 6565A** Push rod, 55 292..... 16.95
- 6565B** Push rod, 56-57 292/312..... 16.95
- 6570A** Grommet and washer, for painted valve covers and valley cover... 1.55
- 6570B** Grommet only, aluminum valve covers ..... 1.00
- 6570C** Grommet only, power steering reservoir can lid ..... 1.00
- 6575** Bracket, rocker arm oil tube..... 2.60

- 6A618** Shaft, oil pump hex drive..... 21.50
- 6626** O-ring, oil pan pick up tube..... 1.40
- 6659** Gasket, oil pump..... 4.00
- 6673** Nut, oil pump tube to pump ..... 14.95
- 6698** Seal, pan to oil pump..... 7.50
- 6700** Seal, timing cover crank ..... 16.95
- HWK216** Timing case cover to engine. Does not include HWK217A or HWK217B, 16 pieces..... 6.95
- 6710** Gasket, engine oil pan..... 10.25
- HWK215** Oil pan to block, 44 pieces..... 7.95
- 6730A** Plug, oil pan..... 6.95
- 6730B** Plug, oil pan, oversize..... 4.95

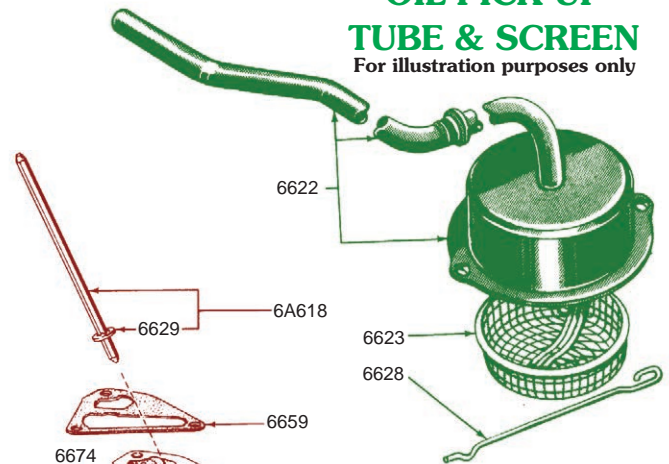


6582 Aluminum Valve Cover

- 6582** Polished aluminum valve cover..... 249.95
- 6582A** Chrome acorn nut..... 2.65
- 6582C** Chrome steel valve covers, pair..... 94.95
- HWK229** Aluminum valve cover acorn nuts, 4 pieces, 2 sides..... 10.35
- 6582B** Chrome washer..... 1.20
- HWK230** Aluminum valve cover chrome washers, 4 pieces, 2 sides ..... 4.00
- HWK231** Aluminum valve cover chrome washers & acorn nuts 8 pieces, 2 sides..... 12.75
- 6584** Gasket, valve cover..... 8.95
- 6588** Oil tube, rocker arm shaft ..... 8.25
- 6600** Oil pump, does not include 6698..... 188.00

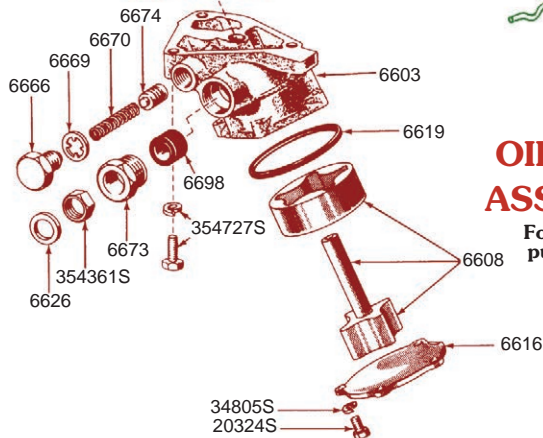
OIL PICK-UP TUBE & SCREEN

For illustration purposes only



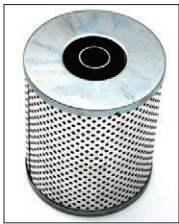
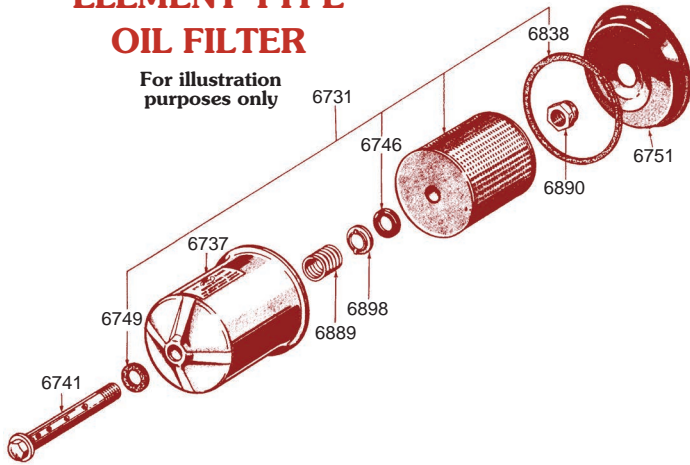
OIL PUMP ASSEMBLY

For illustration purposes only





**ELEMENT TYPE  
OIL FILTER**



6731A



6731B

**Oil Filters**

- 6731A Element, oil filter, 55-56 can type .....16.95
- •NOTE• • See 6838 for seal.
- 6731B 57 spin-on type oil filter .....7.25
- 6734A Gasket, oil pan plug.....2.25
- 6749 Gasket, oil filter cover bolt.....1.70



6750 - Dipstick

- 6750 Oil level dipstick, reproduction.....23.50
- 6754 Oil dipstick tube.....29.25



6758 - Road Draft Tube

- 6758 Tube, road draft, exact reproduction.....50.99
- 6758A 55-57, PCV, hose and valve .....19.95
- HWK219 Road draft tube to engine, 3 pieces ..... 0.95



6766C



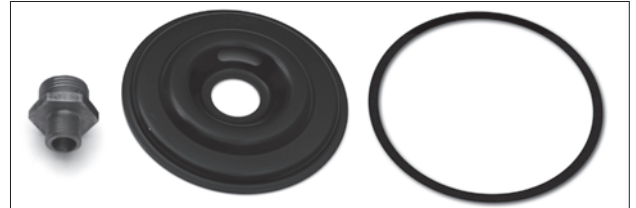
6766



6766B

**Oil Caps**

- 6766 Oil cap, chrome, exact reproduction of the original cap 31.80
- 6766B Oil cap, black, 57, supercharged & all without dress up kit ..34.95
- 6766C Oil cap, black, 55-56, without dress up kit .....26.95
- 6838 Seal, oil filter element can to plate and plate to engine block..1.65
- 6869 Cover plate, cylinder block breather .....7.90
- 6872 Gasket, side plate (6869) on engine .....1.00
- HWK218 Breather block off plate (6869) to engine, 4 pieces .....1.45

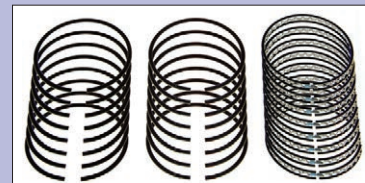


6882 - Oil Filter Adapter Kit

- 6882 Kit, adapter to convert can type oil filter to spin on type.....31.95

**MASTER ENGINE KITS AVAILABLE**

- 6008 Engine gasket set
- 6020K Timing set
- 6026 Freeze plugs
- 6108A Pistons, 292
- 6108B Pistons, 312
- 6148A Rings, 292
- 6148B Rings, 312
- 6207 Rod bushings
- 6211 Rod bearings
- 6250 Camshaft
- 6263 Camshaft bearings
- 6333A Main bearings, 292
- 6333B Main bearings, 312
- 6500 Lifters
- 6600 Oil pump



**CALL FOR PRICING**

- 6889A** Spring, cartridge type oil filter .....5.95
- 6890B** Insert, oil filter mounting bolt, spin on filter .....7.95
- 6916A** Overdrive solenoid, 6 volt .....250.00
- 6916B** Overdrive solenoid, 12 volt .....250.00
- 6922** Gear, overdrive governor .....30.00
- 6927** Seal, overdrive governor to housing.....1.80
- 6941** Cover, overdrive governor.....6.50
- 6954** Bracket, engine steady rest mounting, RH .....15.50
- 6955** Bracket, engine steady rest mounting, LH.....15.50
- HWK236** Engine steady rest brackets (6954/5) to engine,  
8 pieces, 2 sides .....3.25
- 6960K** Kit, steady rest, includes shaft, insulators & hardware .....21.95
- 6960B** Washer kit, engine steady rest .....6.00
- 6968** Rod, engine steady rest .....7.25



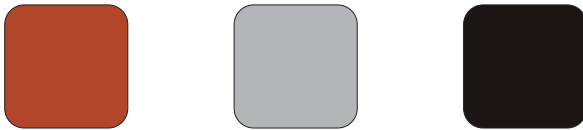
### 6966K - Steady Rest Insulator Kit

- 6966K** Kit, steady rest insulators, 8 pieces for both sides .....10.95

### Engine Paint - 12 ounce spray can

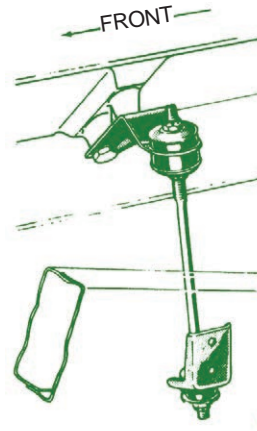


- EP-1** Orange Red ..... 16.95
- EP-2** Argent Silver ..... 16.95
- EP-4** Black ..... 14.95

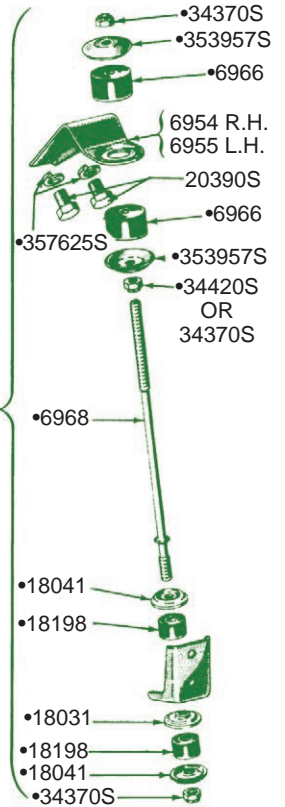


## ENGINE SIDE STEADY REST

For illustration purposes only



• SUPPLIED IN 6960 KIT  
SEE ALSO 6960B AND 6960K



# TRANSMISSION



### 7A020 - Transmission Dipstick

- 7A020** Dipstick, automatic transmission .....28.25
- 7A032A** Transmission cooler lines without expansion bend .....51.95
- 7A032B** Transmission cooler lines with expansion bend, late 57 .....51.95
- 7A032ASS** Transmission steel cooler lines without expansion bend,  
stainless steel .....69.95
- 7A032BSS** Transmission cooler lines with expansion bend, stainless  
steel, late 57 .....69.95
- 359279S** Transmission cooler line fitting 2 required .....2.95
- 359280S** Clip, transmission lines to engine .....7.80
- 7A034A** Bushing, transmission rear extension, all except overdrive..14.95
- 7A034B** Bushing, transmission rear extension, overdrive.....19.95
- 7052** Seal, transmission rear, all except overdrive .....14.95
- 7052B** Seal, transmission rear, with overdrive .....13.95
- 7A098** Screen filter, oil pan, for automatic transmission .....29.95
- 77651** Transmission output shaft boot.....23.95



**7A098 Screen Filter,  
Oil Pan, Automatic**

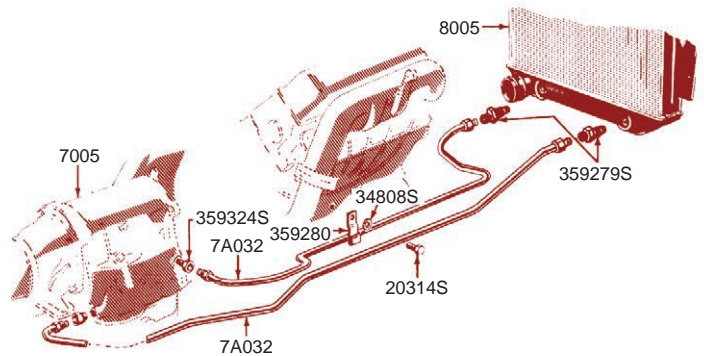


**7A110  
Shifter Pointer**

- 7A110** Shifter pointer, for automatic transmission, chrome.....134.95
- HWK81** Screw, automatic transmission shifter pointer .....0.70

## TRANSMISSION COOLING LINES

For illustration purposes only

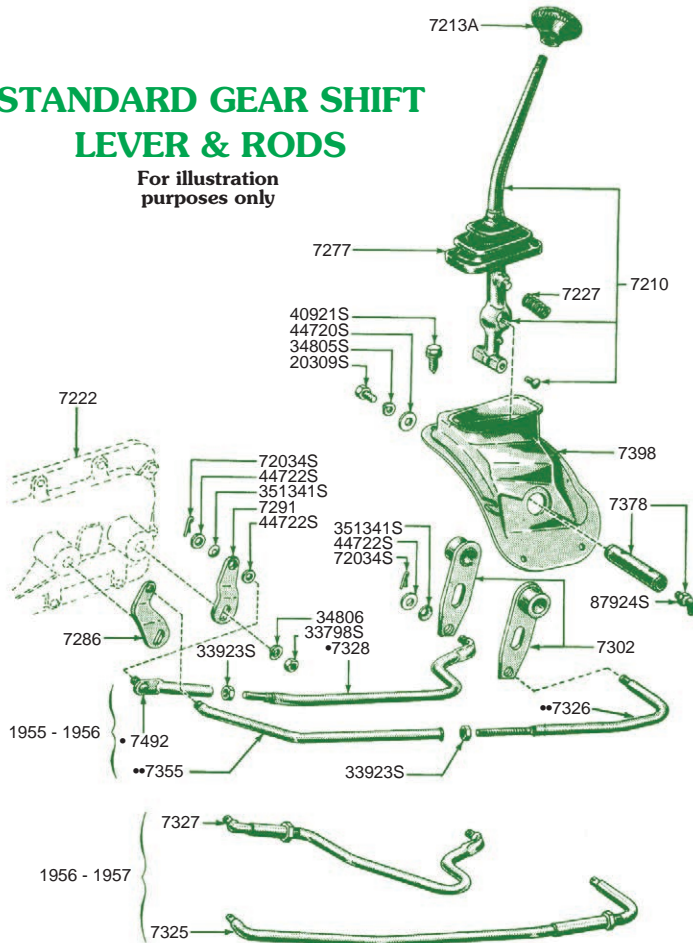


- 7A133K** Bushing and washer kit, automatic shifter .....9.59
- B7A136A** Automatic transmission front pump o-ring .....2.95
- 7153A** Overhaul kit, transmission. All o-rings, seals, gaskets,  
friction plates, steel clutch plates.....239.95
- 7153B** Overhaul kit, same as above plus bands.....345.95
- 7153C** Gasket kit, manual transmission.....29.95
- NOTE•• Bands are exchange only.
- 7A162** Front band assembly, automatic transmission, R&R only ...65.95
- 7A176** Rear band assembly, automatic transmission, R&R only ....65.95
- NOTE•• 7153B, 7A162 and 7A176 require cores up front.



**STANDARD GEAR SHIFT  
LEVER & RODS**

For illustration purposes only



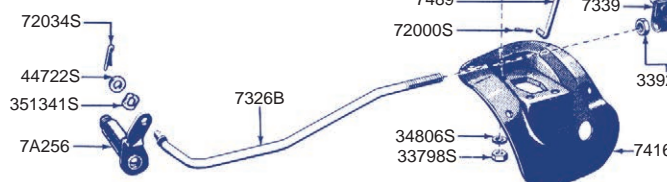
•REPLACED BY B75-7327-A  
•REPLACED BY B75-7325-A

- 7A185E** Bellcrank, dual carbs, automatic transmission .....150.00
- 7A187E** Kickdown rod, dual carbs, automatic transmission .....49.95
- 7A191** Gasket, automatic transmission oil pan .....6.95
- HWK264** Automatic transmission pan to case, 28 pieces .....5.95



**7213A - Gear Shift Knob      7213B - Gear Shift Knob**

- 7213A** Knob, gear shift, standard & overdrive transmission .....13.50
- 7213B** Knob, gear shift, automatic transmission, black plastic...29.95



**77619A - Spring**



**77619 - Button**



**77635 - Spring**

- 77619A** Spring, automatic shifter button.....2.10
- 77619** Button, automatic shifter, chrome, with screw.....21.95
- 77635** Spring, automatic shifter ball .....3.95

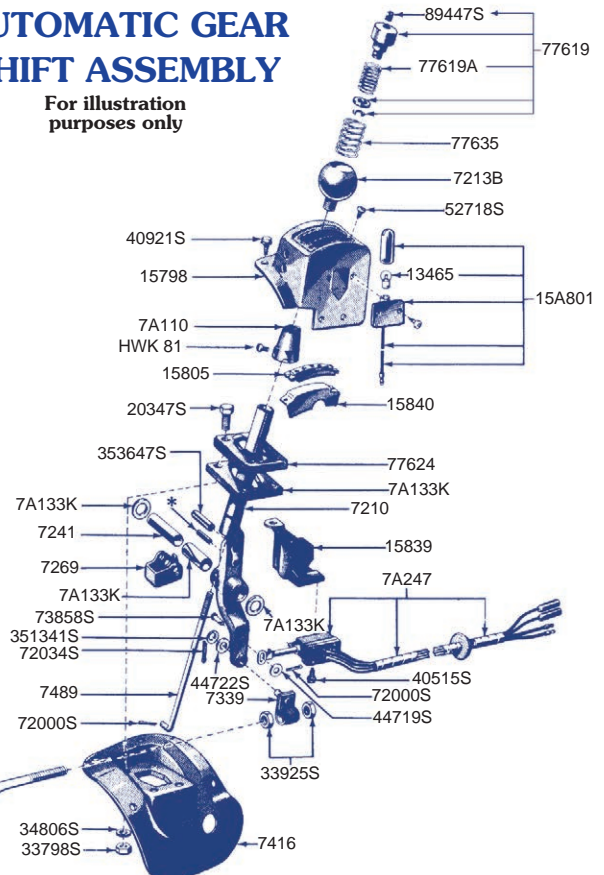


**7A228 - Transmission Dipstick Tube**

- 7A228** Tube, transmission dipstick, with bracket .....27.25
- 7A229** Bracket, trans fill tube .....6.00
- 7241** Pivot pin, automatic shifter .....8.99
- 7A247B** Switch, neutral safety, starts in neutral and park.....117.75
- 15839** Bracket, neutral safety switch to shifter .....19.95
- 15520** Back up light switch, manual transmission .....20.95
- 15540K** Back up light switch bracket and actuator, standard transmission only (except T-85), 1-15540, 1-15517.....20.00
- 7A248** Seal, front pump, automatic transmission.....11.95
- 7A256** Automatic manual shift lever assembly .....100.00
- 7269** Level pawl, automatic shifter .....22.50
- 7277** Boot, transmission gear lever, standard/overdrive .....20.25
- 7A283** Input shaft seal, manual transmission.....9.95

**AUTOMATIC GEAR  
SHIFT ASSEMBLY**

For illustration purposes only



- 7286** Lever, standard transmission, 2nd to 3rd gear.....29.95
- 7291** Lever, standard transmission, 1st gear to reverse .....39.95
- 7302** Lever, standard transmission shift tower.....45.00
- 7339** Bracket, automatic transmission rod adjusting .....17.00
- 7378** Shaft, standard transmission tower .....55.00
- 7B391** Gasket, extension housing access plate.....1.60
- 7489** Release rod, automatic shifter.....5.20
- B7B498A** 55-57 automatic transmission control lever seal and o-ring 2.95
- 7513** Boot, bell housing at clutch fork, black leather .....24.95
- 7517** Bushing, clutch release equalizer shaft, pair.....6.95
- 7523** Spring, clutch & emergency brake equalizer.....5.25
- 7527** Seal, clutch pedal rod.....15.50
- 77265S** Automatic transmission throttle lever shaft o-ring .....0.95

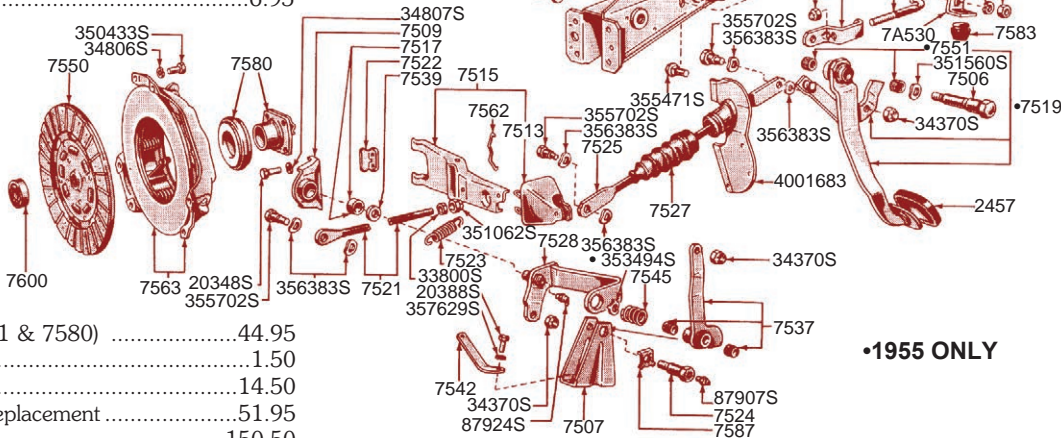


**7550X - Clutch Disc**

- 7550T** Clutch disc alignment tool, 1", 10 spline.....7.95
- 7550X** Disc assembly, clutch, 11", rebuilt, exchange only.....120.00
- 7562** Spring, clutch fork anti-rattle .....4.95
- 7563** Clutch, pressure plate, new .....154.95
- 7563X** Clutch, pressure plate, rebuilt, exchange only.....148.98
- 7A574A** Spring, clutch pedal .....6.95

## STANDARD TRANSMISSION CLUTCH & LINKAGE

For illustration purposes only



- 7580** Bearing & hub assembly, (7561 & 7580) .....44.95
- 7583** Bumper, clutch & brake pedal.....1.50
- 7600** Pilot bearing .....14.50
- 7A650** Overdrive cable with handle, replacement .....51.95
- 7A651A** Overdrive relay, 6 volt.....150.50
- 7A651B** Overdrive relay, 12 volt.....150.50
- 7A652** Switch, overdrive kickdown.....38.80
- 7693** Seal, overdrive solenoid .....9.50

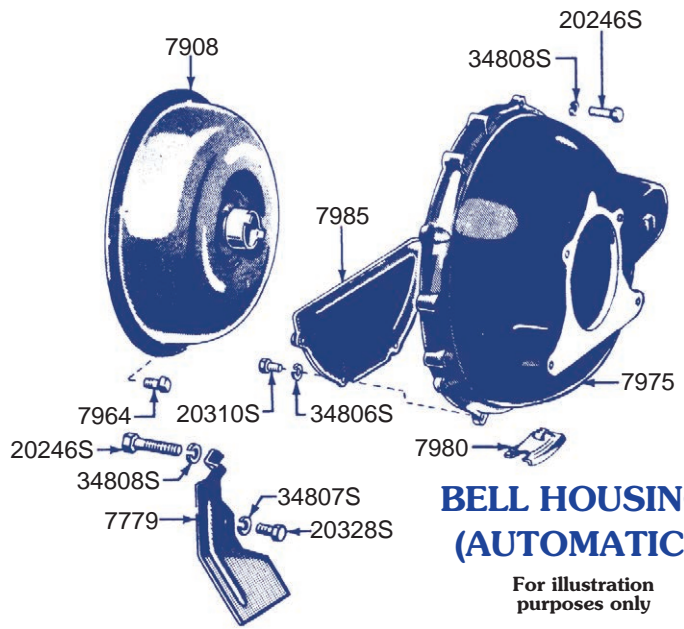


**7779A**  
Splash Shield



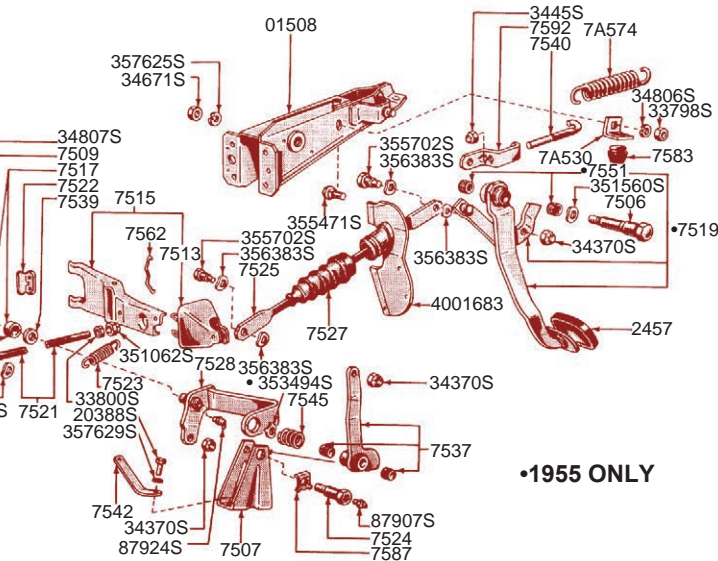
**7779B**  
Splash Shield

- 7779A** Splash shield, transmission linkage, air cooled, 55-56....16.75
- 7779B** Splash shield, transmission linkage, water cooled, 56-57 .22.45
- 7916A** O-ring, torque converter, small, air cooled .....5.25
- 7950** Ring gear, torque converter, 148 teeth .....39.95
- 7963** O-ring, torque converter, large, air or water cooled .....8.95



## BELL HOUSING (AUTOMATIC)

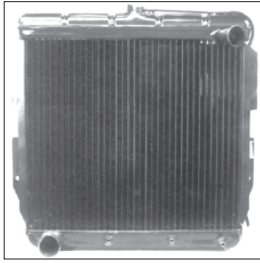
For illustration purposes only



•1955 ONLY

- 7980** Cover, bell housing, automatic transmission, water cooled .29.20
- 7985** Shield, bell housing, automatic transmission, water cooled .19.95
- 12170** Gasket, automatic, governor access plate.....2.50
- HWK159** Transmission governor cover to floor, 4 pieces .....1.15
- 15540K** Kit, back up light switch bracket and actuator, standard transmission only (except T-85), 55-57, consists of one each #15540 and #15517.....20.00
- 15805** Lens, transmission selector, plastic .....15.75
- 15839** Bracket, neutral safety switch to shifter .....19.95
- 17260A** Cable & housing, speedometer with angle drive, 55-56...28.35
- 17260B** Cable & housing, speedometer, 57, with automatic.....49.50
- 17260C** Cable & housing, speedometer, 56-57, overdrive or standard.39.95
- 17260D** Cable & housing, speedometer without angle drive, 55-56 .32.95
- 17279** Angle drive assembly, speedometer, 55-56 .....292.00
- 17292** Snap ring, speedometer gear, 57 automatic transmission 5.25
- 17298** O-ring seal, speedometer housing to transmission .....2.90
- 17322A** Gear, speedometer cable, 55-56 automatic or 55-57 standard transmission, 20 teeth.....21.95
- 17322B** Gear, speedometer cable, 57 automatic, 19 teeth .....21.95
- B17271K** Gear, speedometer cable, 57 automatic, 18 teeth .....19.95

Our 55-57 radiators are 4 row and look as close to original as possible.



**8005A - Radiator**

- 8005A** Radiator, 55 with brass number plate, without cooler ..... 499.95
- 8005B** Radiator, 56-57 with stamped numbers, without cooler ..... 499.95
- 8005C** Radiator, 56-57 with stamped numbers with cooler ..... 499.95
- • **NOTE** • • 8005A/B/C includes attached lower shroud bracket and correct overflow tube.
- 8005D** Aluminum radiator ..... 395.00
- 8005E** Polished aluminum radiator ..... 425.00
- **HWK84** Radiator, mounting bolts to "U" support brace, 4 pieces, 2 sides. 2.95
- **HWK193** Radiator "U" support brace to body, 18 pieces ..... 2.40
- **HWK194A** Radiator to radiator support brace, 55, 12 pieces ..... 2.30
- **HWK194B** Radiator to radiator support brace, 56-57, 4 pieces ..... 4.95



**8005 - Radiator Overflow Tube**

- 8005** Overflow tube, radiator ..... 23.95
- 8005SS** Overflow tube, radiator, stainless steel ..... 35.95
- 8100** Cap, radiator, replacement type ..... 17.95
- 8100R** Cap, radiator, exact reproduction ..... 29.95
- 8104F** Deflector, radiator side air, fiberglass, RH ..... 139.95
- 8104R** Deflector, radiator side air, metal, RH ..... 295.00
- 8105F** Deflector, radiator side air, fiberglass, LH ..... 139.95
- 8105R** Deflector, radiator side air, metal, LH ..... 295.00
- 8115** Drain cock, radiator & engine ..... 6.95
- 8124** Radiator "U" support brace pads, pair ..... 6.70



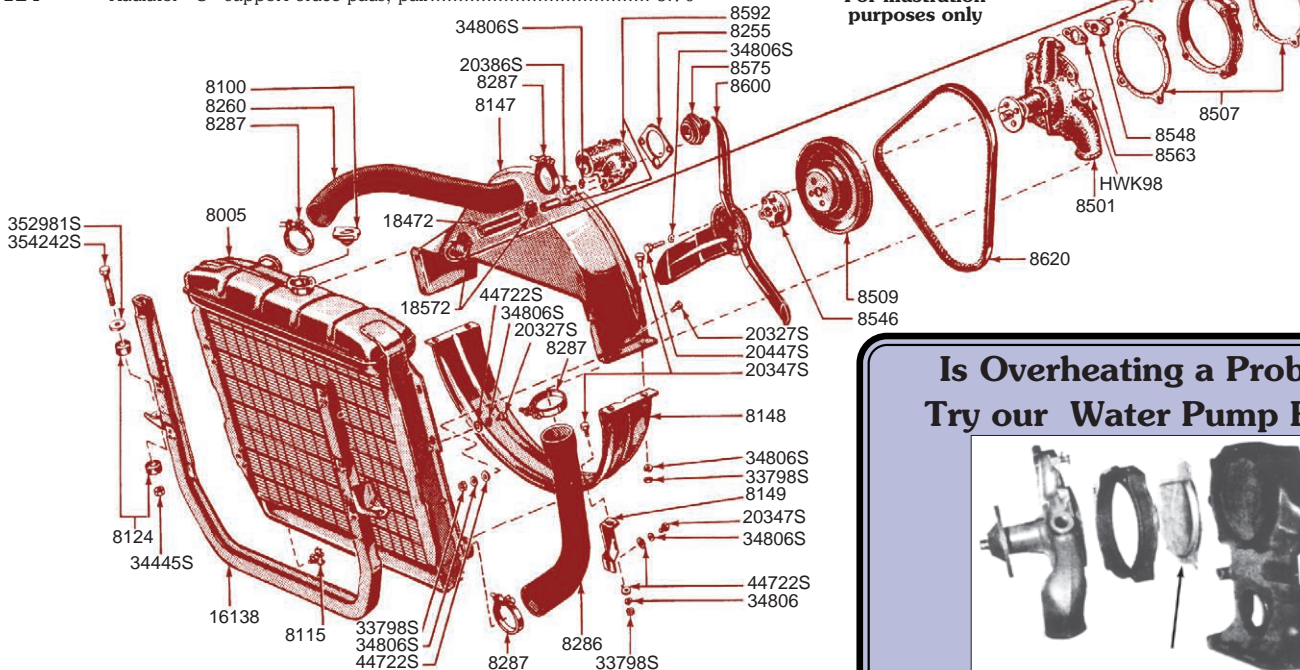
**8147 & 8148**



**8148R**

- 8147AKIT** Kit, fan shroud; contains 8147, 8147A, 8148 and attaching nuts, bolts and washers, 55 ..... 179.95
- 8147BKIT** Kit, fan shroud; contains 8147, 8147A, 8148 and attaching nuts, bolts and washers, 56-57 ..... 179.95
- 8147** Fan shroud, upper ..... 105.95
- 8147A** Seal, upper fan shroud to radiator ..... 3.95
- 8148** Fan shroud, lower ..... 79.95
- 8148R** Panel, fan shroud, lower, for additional cooling, replaces 8148. 120.00
- **HWK195A** Radiator shroud halves to each other & to radiator, 55 Does not include HWK93, 40 pieces 2 sides ..... 6.95
- **HWK195B** Radiator shroud halves to each other & to radiator, 56-57. Does not include HWK93, 19 pieces, 2 sides ..... 7.70
- 8149** Bracket, lower fan shroud to radiator ..... 10.90
- 8149A** Bracket, solders to lower radiator tank to connect 8149 ..... 5.95
- 8149B** 56-57 lower fan shroud bracket ..... 7.25
- **HWK93** Lower fan shroud bracket kit, 8 pieces ..... 2.50
- 8156** Molding, radiator grille lower 55-56 ..... 99.95
- **HWK5A** 8200A to 8156, 55-56, 24 pieces ..... 5.95
- **HWK5B** 17779 to 8156, 55-56, 24 pieces ..... 6.00

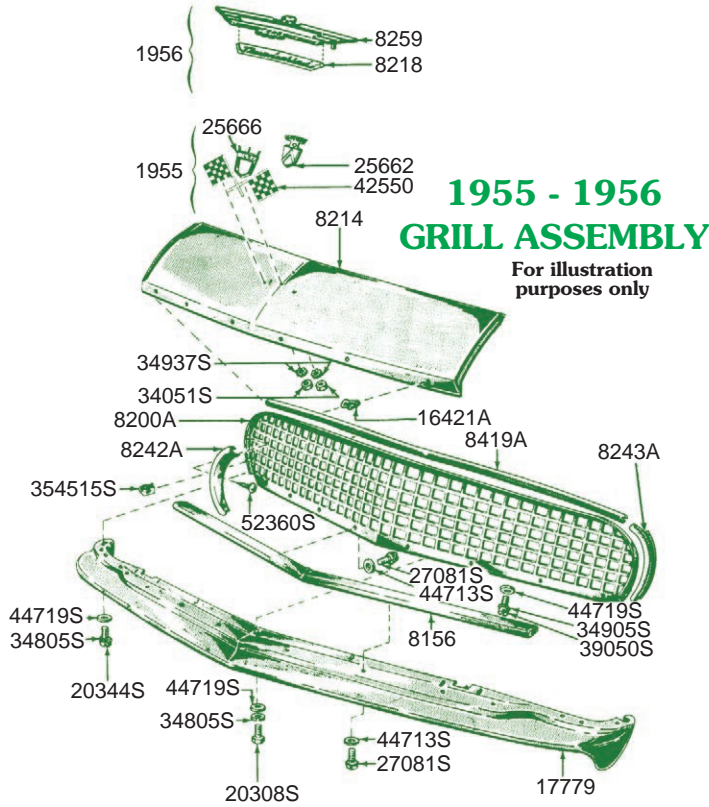
**COOLING SYSTEM**  
For illustration purposes only



**Is Overheating a Problem?  
Try our Water Pump Baffle.**



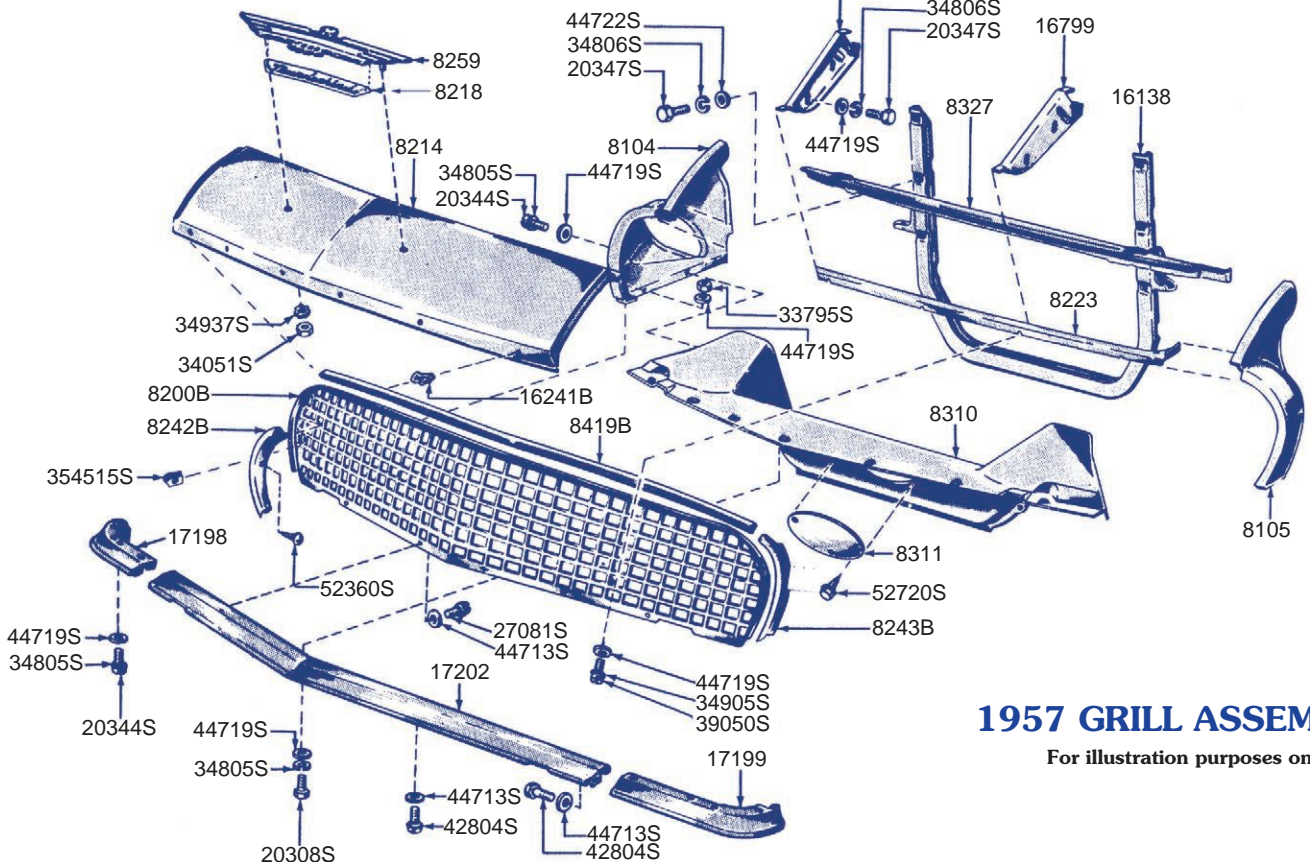
**8501B** Helps prevent overheating by returning the cooling system to its designed efficiency. The Baffle is inserted between the water pump spacer and the front timing case cover. STAINLESS STEEL to prevent corrosion ..... 19.95



## 1955 - 1956 GRILL ASSEMBLY

For illustration purposes only

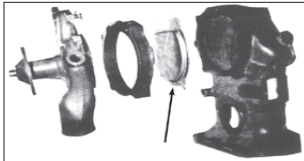
- 8200A** Grill, radiator, 55-56 .....374.80
- HWK125A** Grill Kit: 55-56 grill to body & lower molding (8156), lower molding to front valance (17779), front valance to deflector panel (8310), front fenders and rear deflector panels (8104/5), and deflector panel access plate (8311) to deflector panel. Illustrated instructions included, 138 pieces.....18.95
- 8200B** Grill, radiator, 57 .....374.80
- HWK125B** Grill Kit: 57 grill to body and front chrome valance (17202), chrome valance to deflector panel (8310), deflector panel to rear deflectors (8104/5), chrome valance to ends (17198/9), ends to fenders, and deflector access plate (8311) to deflector panel. Illustrated instructions included, 134 pieces.....18.95
- 8218** Name plate, upper panel 56-57 .....18.50
- 8223** Reinforcement brace, nose panel .....130.00
- 8242A** Molding, radiator grill, RH, 55-56 .....42.70
- 8242B** Molding, radiator grill, RH, 57 .....56.20
- 8243A** Molding, radiator grill, LH, 55-56 .....42.70
- 8243B** Molding, radiator grill, LH, 57 .....56.20
- HWK80** 8242/3 "C" molding screw kit, 6 pieces, 2 sides.....1.25
- HWK128** Side grill moldings to body with clips, 10 pieces, 2 sides .....3.30
- 8255** Gasket, thermostat housing..... 1.00
- 8259** Emblem, nose panel, 56-57.....33.70
- HWK6** Nose panel emblem (8259) to body, 56-57, pieces..... 0.75
- 8260FS** Hose, upper radiator: Exact reproduction of the original hose with original part number with Ford script .....22.50
- 8286FS** Hose, lower radiator: Exact reproduction of the original hose with the kink in the top for exact fit with original part number and Ford script.....22.50
- 8287K** Clamp set, radiator hose, original type, stainless steel, 4 pieces.....9.95



## 1957 GRILL ASSEMBLY

For illustration purposes only

<b>8311</b>	Inspection plate, lower deflector.....	8.95
<b>•HWK126</b>	Access plate (8311) to deflector panel (8310), 3 pieces .....	0.75
<b>8419A</b>	Molding, grill upper 55/56.....	59.95
<b>•HWK127A</b>	Upper grill molding (8419A) to body, 55-56, 18 pieces.....	10.00
<b>8419B</b>	Molding, grill upper 57.....	99.95
<b>•HWK127B</b>	Upper grill molding (8419B) to body, 57, 18 pieces.....	13.95



8501B - Illustration



8501B - Water Pump Baffle

<b>8501</b>	Water pump, new .....	89.95
<b>8501R</b>	Water pump, new with original numbers .....	125.00
<b>8501H</b>	Water pump, high output .....	158.95
<b>8501X</b>	Water pump, rebuilt original Ford pump with correct number, R&R only .....	95.00
<b>•HWK98</b>	Pipe plug for water pump; cars without power steering and/or heater.....	1.30
<b>•HWK217A</b>	Water pump to engine with power steering, 8 pieces.....	5.50
<b>•HWK217B</b>	Water pump to engine with manual steering, 8 pieces .....	5.95
<b>8501B</b>	Baffle, water pump. Helps prevent overheating by returning the cooling system to its designed efficiency. The baffle is inserted between the water pump spacer and the front timing case cover. (3 8507 gaskets required), stainless steel to prevent corrosion .....	19.95
<b>••NOTE••</b>	This can not be used with high output water pump	
<b>8507</b>	Gasket, water pump, spacer or baffle.....	1.25
<b>8509A</b>	Pulley, water pump, 55-56.....	120.95
<b>8509SP</b>	Pulley, water pump, 55-56, 1" smaller for better cooling.....	99.95
<b>8A510</b>	Spacer, water pump.....	50.95
<b>8546</b>	Spacer, pulley to fan, exact reproduction.....	13.95

<b>8548</b>	Tube, water bypass.....	14.25
<b>8563</b>	Gasket, water bypass tube .....	1.25
<b>8575A</b>	Thermostat, 160 degrees.....	10.95
<b>8575B</b>	Thermostat, 180 degrees.....	12.95
<b>8575C</b>	Thermostat, 170 degrees, high flow.....	22.95
<b>8575D</b>	Thermostat, 192 degrees.....	9.95
<b>8592</b>	Thermostat housing.....	49.95
<b>8255</b>	Thermostat gasket.....	1.00
<b>•HWK225</b>	Thermostat housing (8592) to manifold & by pass tube to water pump, 8 pieces.....	1.75



8600B - Fan



8601 - Fan Reinforcement Plate

<b>8600B</b>	Fan, 6 blade, <i>HEAVY DUTY/EXTRA COOLING</i> .....	60.00
<b>8600C</b>	12 volt electric pusher fan.....	275.95
<b>8600D</b>	12 volt electric puller fan and shroud, replaces existing fan and shroud.....	321.95
<b>8600E</b>	Air conditioning bracket kit for 8600C/D.....	6.25
<b>•HWK234</b>	Fan to water pump, 8 pieces .....	2.30
<b>8601</b>	Reinforcement plate, 3 bladed fan.....	17.95
<b>8620A</b>	Belt, fan.....	19.95
<b>8620B</b>	Belt, power steering.....	17.95
<b>8620C</b>	Belt, air conditioning .....	12.95
<b>8725</b>	Clamp, square heater blower duct .....	5.00
<b>18489</b>	Square heater duct .....	23.25

FUEL SYSTEM

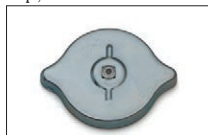


9002D - Fuel Tank

<b>9002A</b>	Tank, fuel 55 .....	275.00
<b>9002B</b>	Tank, fuel 56 .....	295.00
<b>9002C</b>	Tank, fuel 57 .....	295.95
<b>9002D</b>	Stainless steel fuel tank 55.....	299.95
<b>9002E</b>	Stainless steel fuel tank 56.....	299.95
<b>370322S</b>	O-ring, 1957 gas tank neck to tank.....	3.25
<b>9A010A</b>	Bolt, gas tank strap as original, 55-56.....	6.50
<b>9A010B</b>	Bolt, gas tank strap, 57 .....	5.00



9030A

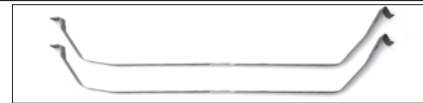


9030B



9030C

<b>9030</b>	Gas cap, replacement, 55-57.....	6.95
<b>9030A</b>	Gas cap, 55 recessed type, exact reproduction.....	23.95
<b>9030B</b>	Gas cap, 56-early 57, exact reproduction .....	23.95
<b>9030C</b>	Gas cap, late 57, exact reproduction.....	23.95
<b>9030L</b>	Gas cap, locking, 57 .....	14.95
<b>9034A</b>	Strap, gas tank filler neck, 57 .....	11.00
<b>9034B</b>	Bracket, gas tank filler neck to quarter panel .....	11.99
<b>9034C</b>	Fuel filler neck, 57.....	162.50
<b>•HWK101</b>	Gas neck bracket (9034B) to body, 57, 2 pieces.....	0.75
<b>•HWK114</b>	Gas neck strap to body bracket (9034B), 57, 3 pieces .....	1.55
<b>9A068</b>	Gas tank to trunk floor pad.....	2.20
<b>9080</b>	Grommet, fuel tank filler neck 55-56.....	8.00

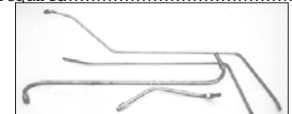


9092A - Gas Tank Strap

<b>9092A</b>	Strap, gas tank, 55.....	16.50
<b>9092B</b>	Strap, gas tank, 56.....	16.50
<b>9092C</b>	Strap, gas tank, 57.....	14.00
<b>9092P</b>	Gas tank strap pads, pair.....	6.95
<b>9155</b>	Filter assembly, fuel.....	29.95
<b>9155E</b>	Filter assembly, dual carbs, exact reproduction.....	495.00
<b>87972S</b>	Fuel filter brass fittings, 2 required.....	3.95

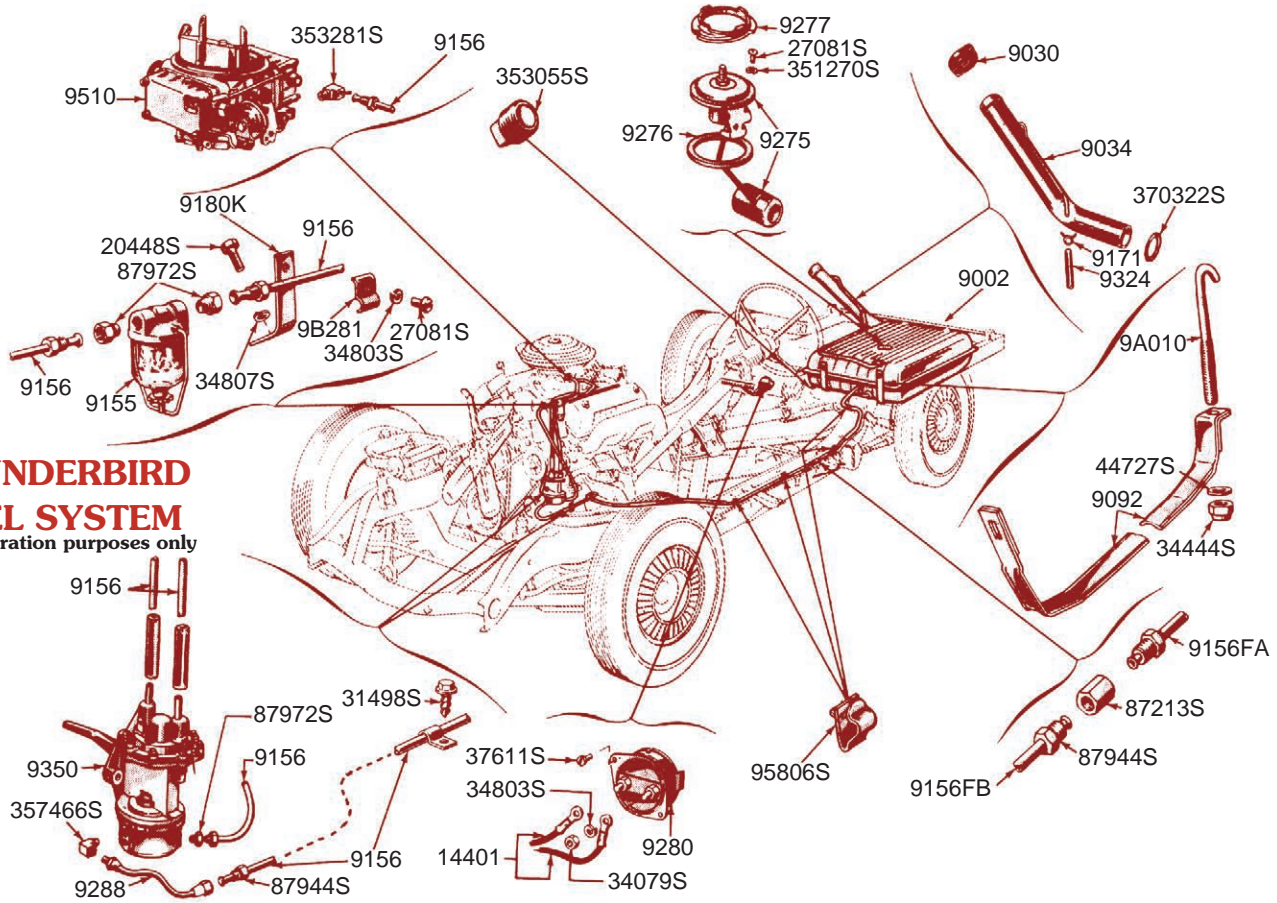


9156A - Clip



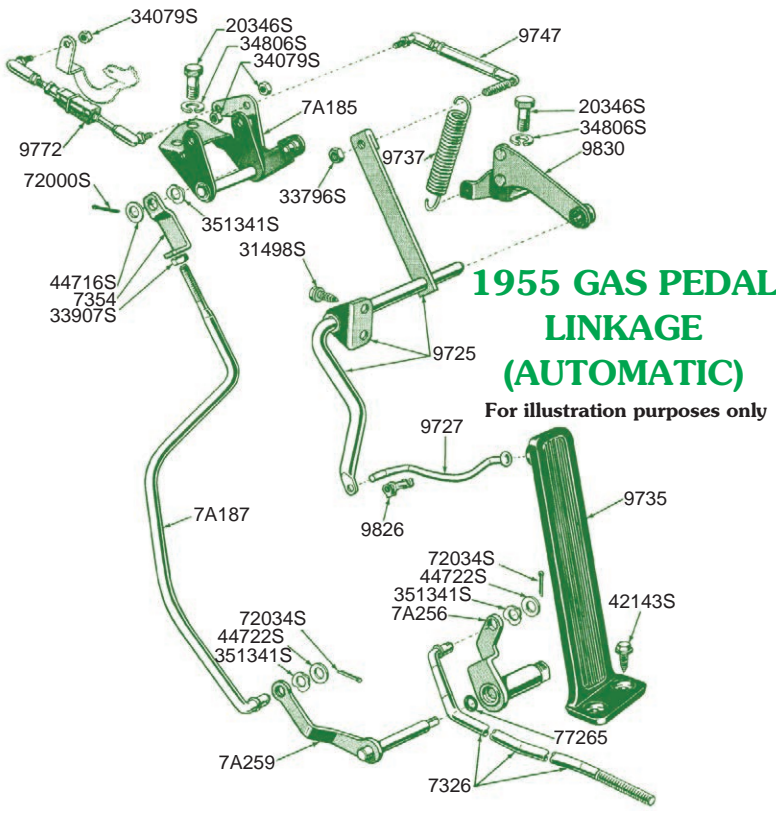
9156B - Fuel & Vacuum Lines

<b>9156A</b>	Clips, hold vacuum lines together along intake manifold, as original, pair .....	3.30
<b>9156B</b>	Fuel and vacuum line set, 2 fuel & 2 vacuum, 55 .....	62.85
<b>9156BSS</b>	As above, stainless steel.....	49.95
<b>9156BPF</b>	Fuel line, pump to filter, 55 .....	10.95
<b>9156BPFSS</b>	As above, stainless steel.....	15.95
<b>9156BFC</b>	Fuel line, filter to carburetor, 55.....	11.80
<b>9156BFCSS</b>	As above, stainless steel.....	14.90
<b>9156BV</b>	Vacuum lines, pair, 55 .....	12.95
<b>9156BVSS</b>	As above, stainless steel.....	22.95
<b>9156C</b>	Fuel and vacuum line set, 2 fuel & 2 vacuum, 56 .....	42.95
<b>9156CSS</b>	As above, stainless steel.....	49.95
<b>9156CPF</b>	Fuel line, pump to filter, 56 .....	10.95
<b>9156CPFSS</b>	As above, stainless steel.....	15.95
<b>9156CFC</b>	Fuel line, filter to carburetor, 56.....	11.95
<b>9156CFCSS</b>	As above, stainless steel.....	14.90
<b>9156CV</b>	Vacuum lines, pair, 56 .....	12.95
<b>9156CVSS</b>	As above, stainless steel.....	22.95



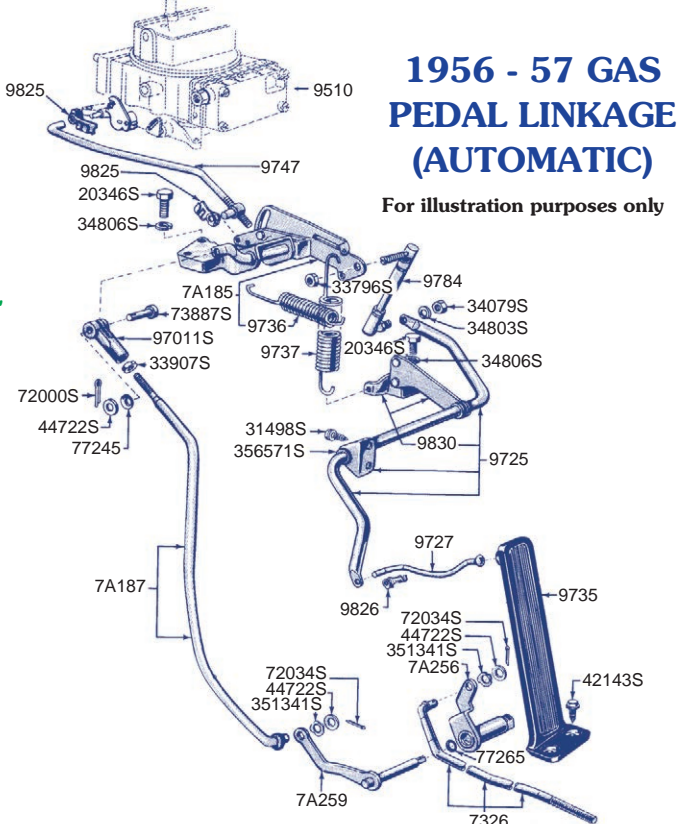
## THUNDERBIRD FUEL SYSTEM

For illustration purposes only



## 1955 GAS PEDAL LINKAGE (AUTOMATIC)

For illustration purposes only

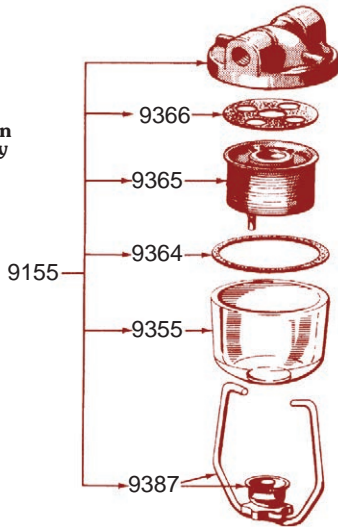


## 1956 - 57 GAS PEDAL LINKAGE (AUTOMATIC)

For illustration purposes only

**FUEL FILTER ASSEMBLY**

For illustration purposes only



<b>9156D</b>	Fuel and vacuum line set, 2 fuel & 2 vacuum, 57.....	62.85
<b>9156DSS</b>	As above, stainless steel .....	59.95
<b>9156DPF</b>	Fuel line, pump to filter, 57.....	10.95
<b>9156DPFSS</b>	As above, stainless steel .....	15.95
<b>9156DFC</b>	Fuel line, filter to carburetor, 57 .....	15.95
<b>9156DFCSS</b>	As above, stainless steel .....	15.90
<b>9156DV</b>	Vacuum lines, pair, 57 .....	15.95
<b>9156DVSS</b>	As above, stainless steel .....	22.95
<b>9156E6</b>	Fuel and vacuum line set, dual carb setup, 4 fuel, 2 vacuum.....	31.15
<b>9156E6SS</b>	As above, stainless steel .....	46.75
<b>9156E8</b>	As 9156E6, with distributor vacuum & power brake vacuum....	40.95
<b>9156E8SS</b>	As above, stainless steel .....	57.95
<b>9156EPF</b>	Fuel line, pump to filter, 57 dual carbs.....	9.95
<b>9156EPFSS</b>	As above, stainless steel .....	14.90
<b>9156FA</b>	Fuel line, formed steel with proper covering, from flex line to midpoint of frame.....	51.98
<b>9156FASS</b>	As above, stainless steel .....	58.95
<b>9156FB</b>	Fuel line formed steel with proper covering, from midpoint of frame to gas tank, 55 .....	51.98
<b>9156FBSS</b>	As above, stainless steel .....	57.95
<b>9156FC</b>	Fuel line, midpoint of frame to gas tank, 56.....	58.95
<b>9156FCSS</b>	As above, stainless steel .....	78.00
<b>9156FD</b>	Fuel line, down frame, midpoint of frame to gas tank, 57.....	64.47
<b>9156FDSS</b>	As above, stainless steel .....	57.95



**9180K - Fuel Filter Bracket Assembly**

<b>9180K</b>	Bracket assembly, fuel filter, includes 9180, 9B281, 34803S & 27081S.....	9.25
<b>9202A</b>	Float, gas tank sending unit, 55-56 .....	9.95
<b>9202B</b>	Float, gas tank sending unit, 57 .....	6.95
<b>9229</b>	Gasket, carburetor fitting, 55-56 .....	0.85



**9275C - Fuel Tank Sending Unit**

<b>9275A</b>	Sending unit, includes float & gasket, 6 volt, 55 .....	65.00
<b>9275B</b>	Sending unit, fuel tank unit, 56/55 with 12 volt, with gasket ...	61.50
<b>9275C</b>	Sending unit, fuel tank unit, 57 .....	74.50
<b>•HWK87</b>	Sending unit to gas tank, 55/56, 6 pieces.....	1.95

<b>9276A</b>	Gasket, fuel sender, 55-56.....	1.65
<b>9276B</b>	Gasket, fuel sender, 57.....	1.75
<b>9277</b>	Gas tank sending unit lock ring, 57 .....	9.95
<b>9278</b>	Sending unit, engine oil pressure.....	11.50
<b>9280B</b>	55-56 12 volt fuel gauge and sending unit.....	149.95
<b>9B281</b>	Clip, fuel filter bracket, fuel line.....	1.65
<b>9288E</b>	Flex line, fuel pump to fuel tank, replacement.....	9.50
<b>9324K</b>	Gas tank overflow hose and clamps, 57 .....	2.75



**9350 Fuel Pump**



**9A427 Heat Riser Valve**



**9A427D Heat Riser Valve**



**9A427S Heat Riser Valve Spacer**

<b>9350</b>	Fuel pump, new.....	89.95
<b>9350E12</b>	Electric fuel pump kit, 12 volt.....	169.95
<b>87972S</b>	Brass fitting, fuel pump to line.....	3.95
<b>357466S</b>	Brass elbow, fuel pump to flex hose.....	3.95
<b>•HWK226</b>	Fuel pump to timing case cover, 4 pieces.....	1.50
<b>9350A</b>	Gasket, fuel pump.....	1.05
<b>9364</b>	Gasket, fuel filter bowl.....	1.75
<b>9365</b>	Fuel filter element and seal .....	9.50
<b>9424</b>	Aluminum intake manifold, 55-57.....	695.00
<b>9A427</b>	Heat riser valve, requires 2-9450 gaskets .....	84.95
<b>9A427D</b>	Heat riser valve, without flapper, requires 2-9450 gaskets .....	84.95
<b>9A427S</b>	Spacer, replaces heat riser valve, requires 2-9450 gaskets .....	19.95
<b>9430</b>	Exhaust manifold, RH .....	250.00
<b>9431</b>	Exhaust manifold, LH.....	250.00
<b>9430H</b>	Headers, ceramic coated, pair .....	677.00
<b>9432</b>	Gasket, exhaust manifold to head, set of 2.....	16.95

••NOTE•• See page 90 for manifold hardware.

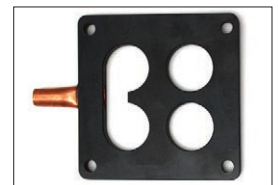


**9433R - Intake Manifold Gasket Set**

<b>9433</b>	Gasket set, intake manifold.....	16.95
<b>9433R</b>	Gasket set, intake manifold, with restricted ports to help prevent burning the intake manifold paint .....	17.95
<b>•HWK222A</b>	Intake manifold to engine. Does not include 4 center studs or cupped washers, 15 pieces.....	12.95
<b>•HWK222B</b>	Intake manifold to engine. Does not include 4 center cupped washers, 19 pieces.....	14.95



**9447D Carburetor Spacer**



**9447F Carburetor Spacer**

<b>9447A</b>	Gasket, carburetor, 55-56.....	2.50
<b>9447B</b>	Gasket, carburetor, 57, 4 barrel .....	2.50
<b>9447C</b>	Gasket, carburetor, 57, 2 barrel .....	2.25

- 9447CR Spacer plate, carburetor, 55-56 ..... 39.95
- 9447 Gasket, carburetor, 55-56, thick type ..... 2.50
- 9447P Gasket pack, carburetor, 55-56; 4-9447 ..... 8.50
- 9447E Spacer plate, dual carbs, metal, pair ..... 37.98
- 9447D Spacer plate, carburetor, 57, 4 barrel ..... 39.95
- 9447F Spacer plate with tube for PCV, 55-56, 4 barrel ..... 42.95
- 9447G Spacer plate with tube for PCV, 57, 4 barrel ..... 46.95
- 9447H Adapter plate, 57 carb to 55-56 manifold, 4 barrel ..... 64.95
- 9447HAK Adapter plate kit, 57 4 barrel carburetor to 55 manifold ..... 89.95
- 9447HBK Adapter plate kit, 57 4 barrel carburetor to 56 manifold ..... 85.95
- 9450 Gasket, exhaust flange and heat riser valve ..... 2.75

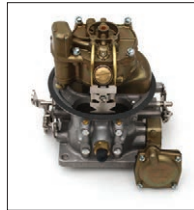


**9492 Choke Button**

- 9492 Choke "mushroom" button, 57 ..... 8.95
- 9503A Diaphragm, carburetor secondary throttle, 55-56 / 57 dual 4 barrel ..... 23.95
- 9503B Diaphragm, carburetor secondary throttle, 57 ..... 16.95



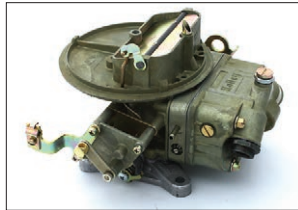
**9503A Diaphragm**



**9510AX**

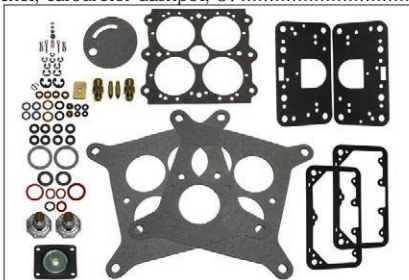


**9510BX**



**9510C**

- 9510AX Carburetor, 55, rebuilt, R&R only ..... 600.00
- 9510BX Carburetor, 56, rebuilt, R&R only ..... 600.00
- 9510C Carburetor, 57, 2 barrel, replacement, manual choke ..... 511.95
- 9510D Carburetor, 57, 4 barrel, replacement, must use 9520C line.. 595.00
- 9510DX Carburetor, 57, original, rebuilt, R&R only ..... 475.00
- 9510EX 57-66 Holley replacement carburetor, R&R only ..... 395.95
- NOTE•• Carburetor cores must be complete, assembled and in a rebuildable condition
- E1403 Edelbrock carburetor, 500 CFM with electric choke, 57 ..... 455.95
- E1486 Calibration kit, (jets + rods) for E9510A carburetor ..... 78.95
- E1803 Edelbrock 500 CFM Thunder carburetor ..... 442.95
- 9A520 Carburetor fitting, 55-56 ..... 12.95
- 9520C Fuel line with fitting for 57 replacement carburetor ..... 26.95
- HWK221 Intake manifold carburetor studs, 4 pieces ..... 6.95
- HWK223 Carburetor to intake manifold, nuts & washers only, 55-56, 8 pieces ..... 1.95
- HWK224 Carburetor to intake manifold, nuts & washers only, 57 8 pieces ..... 1.95
- 9B544 55 accelerator pump piston with vitron seal ..... 29.95
- 9B544A 56 accelerator pump piston with vitron seal ..... 29.95
- 9B549 Universal dashpot, Holley or Autolite carburetor ..... 39.95
- 9B550A Bracket, carburetor dashpot, 55-56 ..... 22.50
- 9B550B Bracket, carburetor dashpot, 57 ..... 20.95



**9A586CA - Carburetor Overhaul Kit**

- 9A586A Kit, carburetor overhaul, 55-56, 4 barrel includes 2nd diaphragm 82.95
- 9A586CA Kit, carburetor overhaul, 57, 4 barrel, aftermarket ..... 69.95
- 9A586E Kit, carburetor overhaul, 57, 2 barrel ..... 44.95
- 9A599 Link, choke to carburetor, 55 ..... 13.60



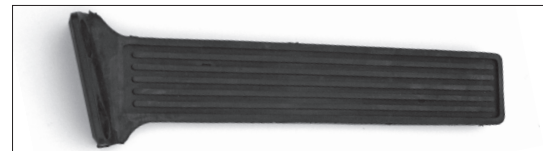
**9600-55 - Air Cleaner**

- 9600R Air cleaner with chrome top, 56, oil bath type; An exact reproduction of the original; replacement for 55 ..... 315.00
- 9600-55 Air cleaner with chrome top, paper filter type, 55 ..... 450.00
- 9600-56 Air cleaner with chrome top, paper filter type, 56 ..... 450.00
- 9600-57 Air cleaner with chrome top, 57 ..... 450.00
- 9600A Cork, air cleaner to hood seal ..... 4.50
- 9600B55 Wing nut, air cleaner, 55-56 ..... 0.80
- 9600BC55 Wing nut, air cleaner, chrome, 55-56 ..... 3.00
- 9600B57 Wing nut, air cleaner, 57 ..... 2.00
- 9600BRC57 Wing nut, air cleaner, 57, chrome ..... 3.00
- 9600C Air cleaner lid cover, 55-56 ..... 135.00
- 9600D Air cleaner lid, 57 ..... 125.95



**9600C - Dome Cover**

- 9601 Filter, air cleaner, 57 ..... 16.95
- 9601A Filter, air cleaner, for 57 with dual 4 barrel ..... 38.95
- 9601C Filter, air cleaner, 55 or 56 replacement air cleaner ..... 14.95
- 9654 Gasket, air cleaner to carburetor ..... 2.65
- 9A659A Stud, carburetor to air cleaner, 55 ..... 10.95
- 9A659B Stud, carburetor to air cleaner, 56 4 barrel / 57 dual 4 barrel.. 11.50
- 9A659C Stud, carburetor to air cleaner, 57 ..... 1.30
- 9673 Gasket, air cleaner top to bottom 55/56 ..... 2.40
- 9725 Accelerator assembly, 56-57, automatic transmission ..... 140.00
- 9725B Arm only, must be brazed onto your 9725 assembly, dual carbs, standard transmission ..... 29.95
- 9725C Accelerator assembly, automatic transmission, dual carbs ..... 149.95
- 9725D Accelerator assembly, standard transmission ..... 49.95
- HWK241 Accelerator bellcrank to intake manifold, 4 pieces ..... 1.10
- 9727 Rod, gas pedal ..... 6.95
- 9727A Seal, gas pedal rod to firewall ..... 1.05

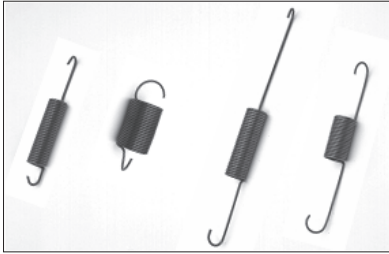


**9735 - Gas Pedal**

- 9735 Gas pedal ..... 18.95
- HWK90 Gas pedal to floor, 2 pieces ..... .75
- HWK158 Gas pedal to floor & bracket to firewall, 4 pieces ..... 2.25

**Using part numbers saves time.**

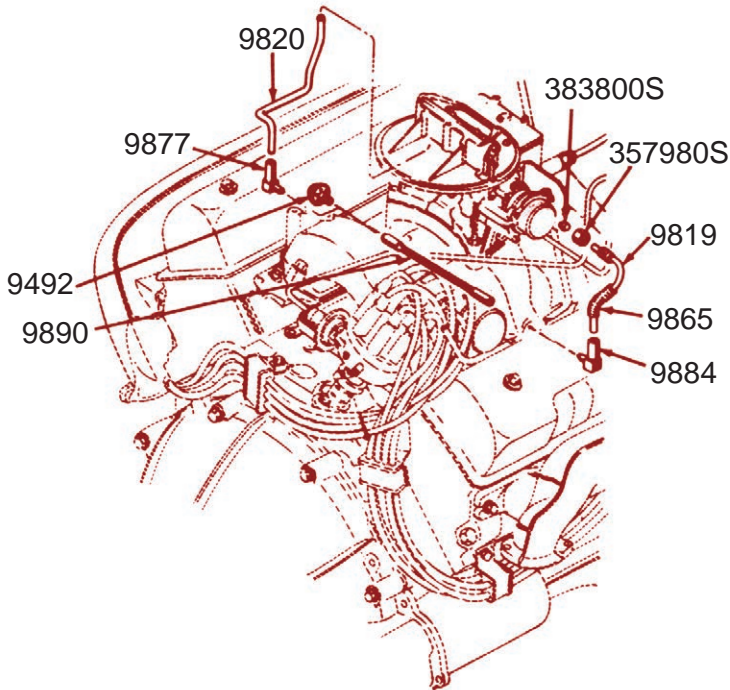




9736 9737A 9737B 9737C

**Springs**

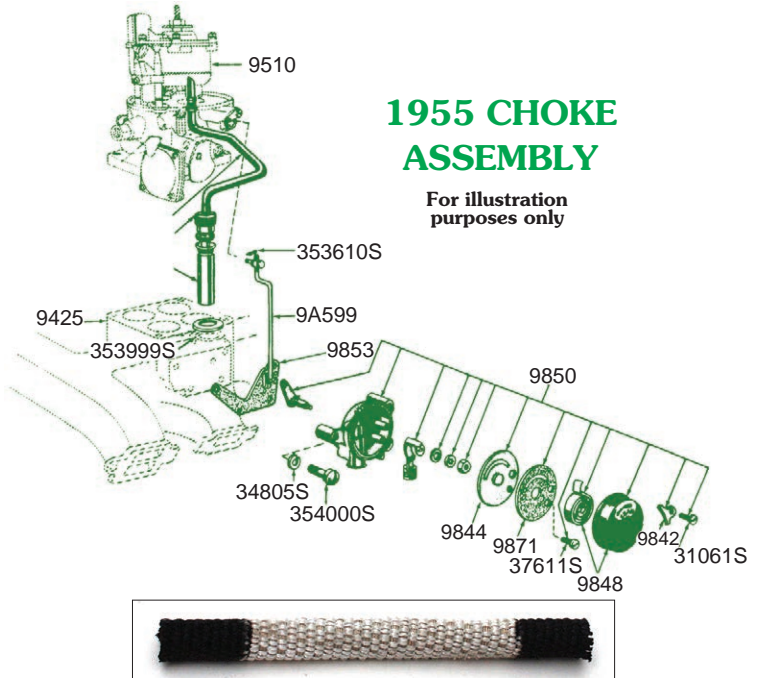
<b>9736</b>	Spring, throttle kick down.....	4.45
<b>9737A</b>	Spring, throttle return, 55-56.....	5.95
<b>9737B</b>	Spring, throttle return, 57.....	6.30
<b>9737C</b>	Spring, throttle return, dual carb, 57.....	6.30
<b>9747D</b>	Throttle rod to bellcrank, 56.....	15.95
<b>9747E</b>	Throttle rod to bellcrank, 57, automatic.....	15.95
<b>9747G</b>	Throttle rod to bellcrank, standard and overdrive, 55-56.....	45.00
<b>9784</b>	Linkage, carburetor to bellcrank, 56, automatic.....	58.95
<b>9819A</b>	Choke tube, outlet, with fittings, 56.....	5.95
<b>9819ASS</b>	As above, stainless steel.....	7.00
<b>9819B</b>	Choke tube, outlet, with fittings, 57.....	4.95
<b>9819BSS</b>	As above, stainless steel.....	7.00
<b>9819E</b>	Choke tube, front, dual 4 barrel, 57.....	13.50
<b>9819F</b>	Choke tube, rear, dual 4 barrel 57.....	13.50
<b>9820A</b>	Choke tube, inlet, 55.....	9.40
<b>9820ASS</b>	As above, stainless steel.....	15.50
<b>9820B</b>	Choke tube, inlet, 56.....	16.95
<b>9820BSS</b>	As above, stainless steel.....	23.95
<b>9820E</b>	Choke tube, front, dual 4 barrel, 57.....	13.50
<b>9820F</b>	Choke tube, rear, dual 4 barrel, 57.....	31.95



**1956-57 CHOKE HEAT TUBE ASSEMBLY**

For illustration purposes only

<b>9825</b>	Clip, carburetor linkage.....	0.60
<b>9826</b>	Clip, accelerator linkage.....	0.60
<b>9848A</b>	Cover and spring assembly, automatic choke, 55-56.....	17.40
<b>9848B</b>	Cover and spring assembly, automatic choke, 57.....	16.95
<b>9848C</b>	57 Holley electric choke cover.....	37.95
<b>9853</b>	Gasket, choke housing to manifold, 55.....	1.30
<b>9861A</b>	Heat shield, choke assembly, 56.....	10.95
<b>9864</b>	Nut, manifold choke tube, 55.....	12.55



**1955 CHOKE ASSEMBLY**

For illustration purposes only




**9865A - Auto Choke Tube Insulator**

<b>9865A</b>	Insulator, auto choke tube, 56.....	4.25
<b>9865B</b>	Insulator, auto choke tube, 4 barrel carburetor, 57.....	5.75
<b>9865C</b>	Insulator, auto choke tube, 2 barrel carburetor, 57.....	6.25
<b>9865D</b>	Insulators, auto choke tubes, dual 4 barrel, 57, pair.....	9.95
<b>9871A</b>	Gasket, choke cover, 55-56.....	1.95
<b>9871B</b>	Gasket, choke cover 57.....	1.95
<b>9877</b>	Elbow, choke control tube inlet, 56.....	9.50
<b>9884</b>	Elbow, choke control tube outlet, 56-57.....	9.50
<b>9890A</b>	Tube, choke control heat, 55.....	9.95
<b>9890B</b>	Tube, choke control heat, 56-57 2 barrel & 4 barrel.....	15.95
<b>9890E</b>	Tube, choke control heat, 57 dual 4 barrel.....	15.95
<b>ACC51</b>	Choke tube punch, to remove the 9890 choke heat tube.....	11.95



**9891AK**



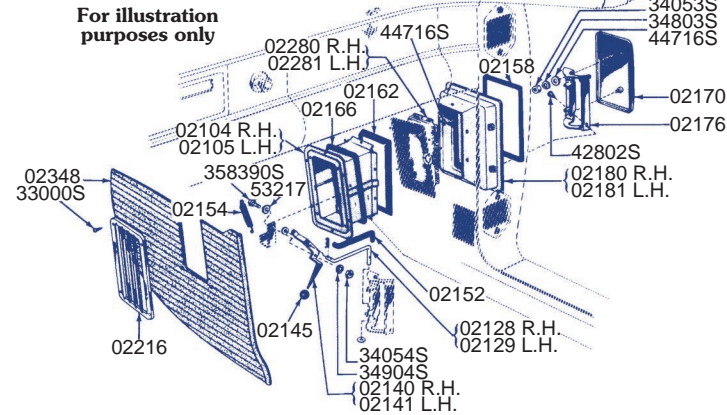
**9891BK**

**Choke Tube Kits**

<b>9891AK</b>	56, choke tube and insulators, includes 9819A, 9820B, 9865A, 9877, 9884 & 9890B.....	69.95
<b>9891BK</b>	57, choke tube and insulators, includes 9819B, 9865B, 9884, 9492 & 9890B.....	59.95
<b>9891AKSS</b>	56, stainless steel choke tube and insulators, includes 9819A, 9820B, 9865A, 9877, 9884 & 9890B.....	74.95
<b>9891BKSS</b>	57, stainless steel choke tube and insulators, includes 9819B, 9865B, 9884, 9492 & 9890B.....	66.95

<b>01605A</b>	Firewall cover; quality waterproof board with rubber trim and fiberglass insulation; die cut for exact fit.....	58.00
<b>01605B</b>	Fasteners, firewall cover, replacement set of 12.....	9.95
<b>01605C</b>	Firewall grommet set, consisting of 1 each wire loom, hood cable, tachometer cable, windshield washer hose, vacuum hose and RH vent cable grommet.....	11.50
<b>01605D</b>	Fasteners, firewall cover, as original, set of 12.....	41.95
<b>01694</b>	Grommet, overdrive cable, at firewall.....	7.30

## 1956 - 57 FENDER VENT



**01820 - Fresh Air Duct Scoop**

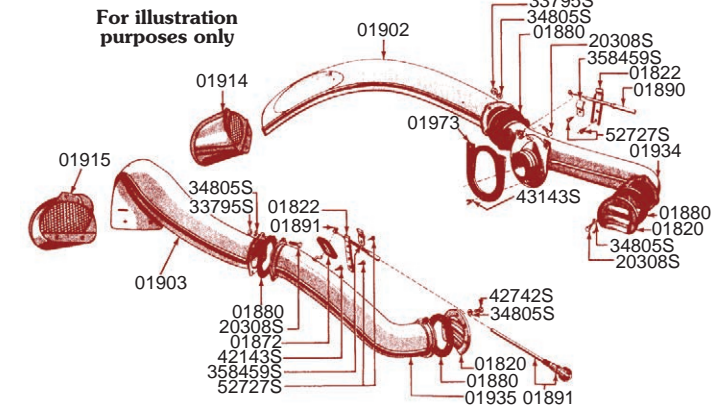
- 01820** Scoop, fresh air duct, above kick panel..... 20.20
- HWK147** Air deflector scoops (01820) to body, 6 pieces, 2 sides..... 2.50
- 01822** Bracket, vent cable control, with clip..... 8.75
- 01822A** Clip vent cable control..... 3.95
- HWK206** Fresh air cable brackets (01822) to inner fenders & clip to brackets, 6 pieces, 2 sides..... 0.95
- 01872** Gasket, vent air duct to fender apron, LH..... 1.00
- 01880** Gasket, air vent tubes, 4 required..... 1.40



**01890 - Air Vent Control Assembly**

- 01890** Control cable assembly, RH air vent..... 48.50
- 01A890** Air duct gasket set, consists of 4-01880, 1-01872, 1-01973... 7.30
- 01891** Control assembly, LH air vent..... 48.50
- 01902** Duct assembly, RH inlet, fiberglass..... 170.00
- 01903** Duct assembly, LH inlet, fiberglass..... 170.00
- 01914F** Scoop assembly, RH, fiberglass, includes screen..... 149.95
- 01914M** Scoop assembly, RH, metal, includes screen..... 81.00
- 01914A** Screen, air duct scoop, RH..... 8.95
- 01915F** Scoop assembly, LH, fiberglass, includes screen..... 149.95
- 01915M** Scoop assembly, LH, metal, includes screen..... 81.00
- 01915A** Screen, air duct scoop, LH..... 8.95
- 01934** Duct assembly, RH outlet, fiberglass, with original style flapper valve..... 210.95
- 01935** Duct assembly, LH outlet, fiberglass, with original style flapper valve..... 210.95
- HWK246A** Steel air ducts to scoops & aprons, 63 pieces, 2 sides..... 12.50
- HWK246B** Fiberglass air ducts to scoops & aprons, 116 pieces, 2 sides. 10.50
- 01973** Seal, vent air duct to fender apron, RH..... 1.50
- 02104** RH, steel vent box, 56-57..... 125.00
- 02105** LH, steel vent box, 56-57..... 125.00
- 02128** Rod, side vent control, 56-57, RH..... 7.75
- 02129** Rod, side vent control, 56-57, LH..... 7.75
- 02140** Vent door actuating rod, RH..... 14.25
- 02141** Vent door actuating rod, LH..... 14.25
- 02145** Knob, vent lever, with screwdriver impression, all 57's except early production..... 6.50
- 02145R** Knob, vent lever, without screwdriver impression, 56-early 57. 6.50

## FRESH AIR DUCT SYSTEM



- 02154** Spring, vent door..... 8.50
- 02158** Seal, vent door, molded rubber as original 56-57..... 9.50
- 02158D** Seal, vent door, die cut, replacement type, 56-57..... 3.10

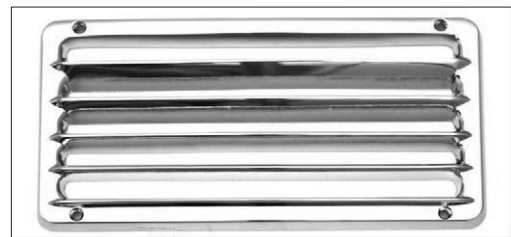


**02162 - Flapper Valve Rod**

- 02162** Rod, flapper valve..... 12.95
- 02162A** Flapper Valve, air duct, RH or LH each..... 22.50
- 02162B** Seal, cowl vent screen..... 2.15
- 02166** Seal, cowl vent to inner fender..... 2.15
- HWK148** Rectangular side vent spacer ducts, fenders to aprons, 36 pieces, 2 sides..... 5.95
- 02176** Hinge, cowl vent door to body..... 22.45
- HWK113A** Cowl vent doors to hinges & hinges to body, 16 pieces, 2 sides..... 5.95
- HWK113B** Cowl vent doors to hinges & hinges to body includes studs 20 pieces, 2 sides..... 6.50



**02162A - Flapper Valve**

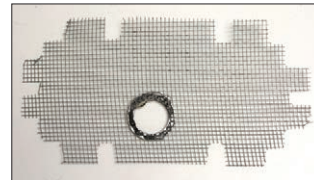


**02216 - Side Vent Grill**

- 02216** Grill, inside, fender fresh air side vent, 56-57..... 32.00
- HWK7** Chrome side vent grills to kick panels, 56-57, 8 pieces..... 1.55



**02166**



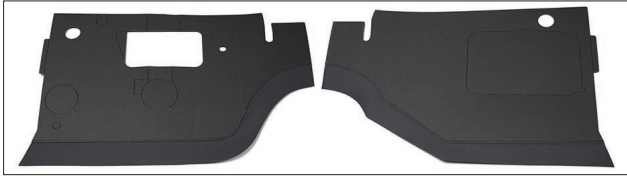
**02280**



**02162B**

### Fresh Air Screens & Seals

- 02280** Screen, fender fresh air side vent, RH, 56-57..... 7.25
- 02281** Screen, fender fresh air side vent, LH, 56-57..... 7.25



**01605A - Firewall Cover**

**01605A** Firewall cover; quality waterproof board with rubber trim and fiberglass insulation; die cut for exact fit ..... 58.00



**01605B - Firewall Fastener**



**01605C - Firewall Grommets**

- 01605B** Fasteners, firewall cover, replacement, set of 12 ..... 9.95
- 01605C** Firewall grommet set, consisting of 1 each wire loom, hood cable, tachometer cable, windshield washer hose, vacuum hose and RH vent cable grommet ..... 11.50
- 01605D** Fasteners, firewall cover, as original, set of 12 ..... 41.95
- 01694** Grommet, overdrive cable, at firewall ..... 7.30
- 02354** Kick panel retainer, RH ..... 70.00
- 02355** Kick panel retainer, LH ..... 70.00



**02626 / 02627 - Front Pillar Weatherstrip**

- 02626** Weatherstrip, front body pillar (screws to windshield post) RH ..... 21.25
- 02627** Weatherstrip, front body pillar, (screws to windshield post) LH ..... 21.25
- HWK8** Windshield pillar weatherstrip (02626/7) to windshield posts 8 pieces, 2 sides ..... 1.75
- 03094A** Cover, windshield molding joint, 55 ..... 6.35
- 03094B** Cover, windshield molding joint, 56/57 ..... 6.30
- 03100C** Windshield, clear ..... 450.00
- 03100T** Windshield, tinted ..... 485.00
- NOTE••** Windshields must be shipped to commercial U.S.A. address only
- 03110** Weatherstrip, windshield ..... 64.00
- HWK9** Inside windshield moldings to windshield frame, excludes mirror & visor mounting, 17 pieces. For visor bracket & clip screws see HWK11 ..... 3.70
- HWK131** Outside side windshield moldings (03136/7) to windshield ..... 1.95

- 03138** Retaining clip, side trim (03136) to lower trim (03148) ..... 5.20
- 03178-9** Retainer strips, windshield, pair ..... 23.50
- 03180** Clip, outside windshield molding ..... 4.48
- 03227** Frame only, vent window RH or LH ..... 42.95
- 03228C** Windwing assembly, clear glass with FoMoCo insignia, RH ... 103.43
- 03228T** Windwing assembly, tinted glass with FoMoCo insignia, RH ... 103.43
- 03229C** Windwing assembly, clear glass with FoMoCo insignia, LH ... 103.43
- 03229T** Windwing assembly, tinted glass with FoMoCo insignia, LH ... 103.43
- 03229A** Retainer strip, windwing glass ..... 3.25
- 03230** Hinge, windwing, upper, with rivets, RH ..... 21.50
- 03231** Hinge, windwing, upper, with rivets, LH ..... 21.50
- 03232** Hinge, windwing, lower, RH ..... 21.50
- 03233** Hinge, windwing, lower, LH ..... 21.50
- HWK10** Lower windwing hinges to pillars, 8 pieces, 2 sides ..... 1.45
- 03234** Bushing, windwing hinge ..... 2.60
- 03238C** Glass, windwing, with FoMoCo insignia, clear ..... 19.50
- 03238T** Glass, windwing, with FoMoCo insignia, tinted ..... 21.50
- 03458** Pin, front top locator guide ..... 11.20
- 03474** Front dowel pin striker, chrome ..... 28.25
- 03654** Clip, center inside windshield molding ..... 17.35



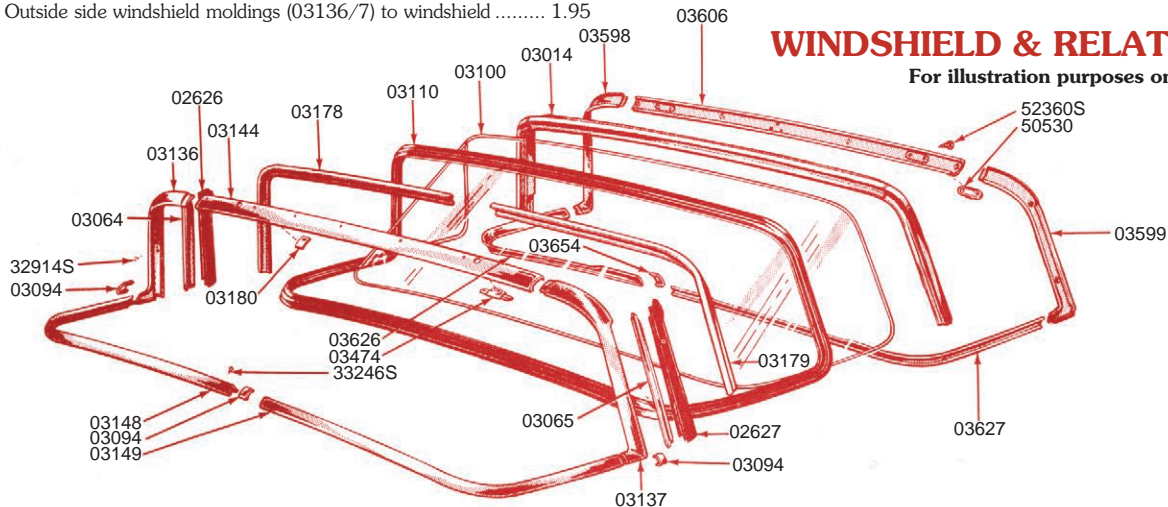
**04104B - Visors**

- 04104A** Visors, less bracket & screws, 56, white, includes S-clip, pair ..... 176.50
- 04104B** Visors, less bracket & screws, 57, white (BW), red (BR), blue (BB), green (BG) & bronze (BZ), includes S-clip, pair ..... 176.50
- 04104C** Clip, chrome S shaped at end of visor ..... 7.95



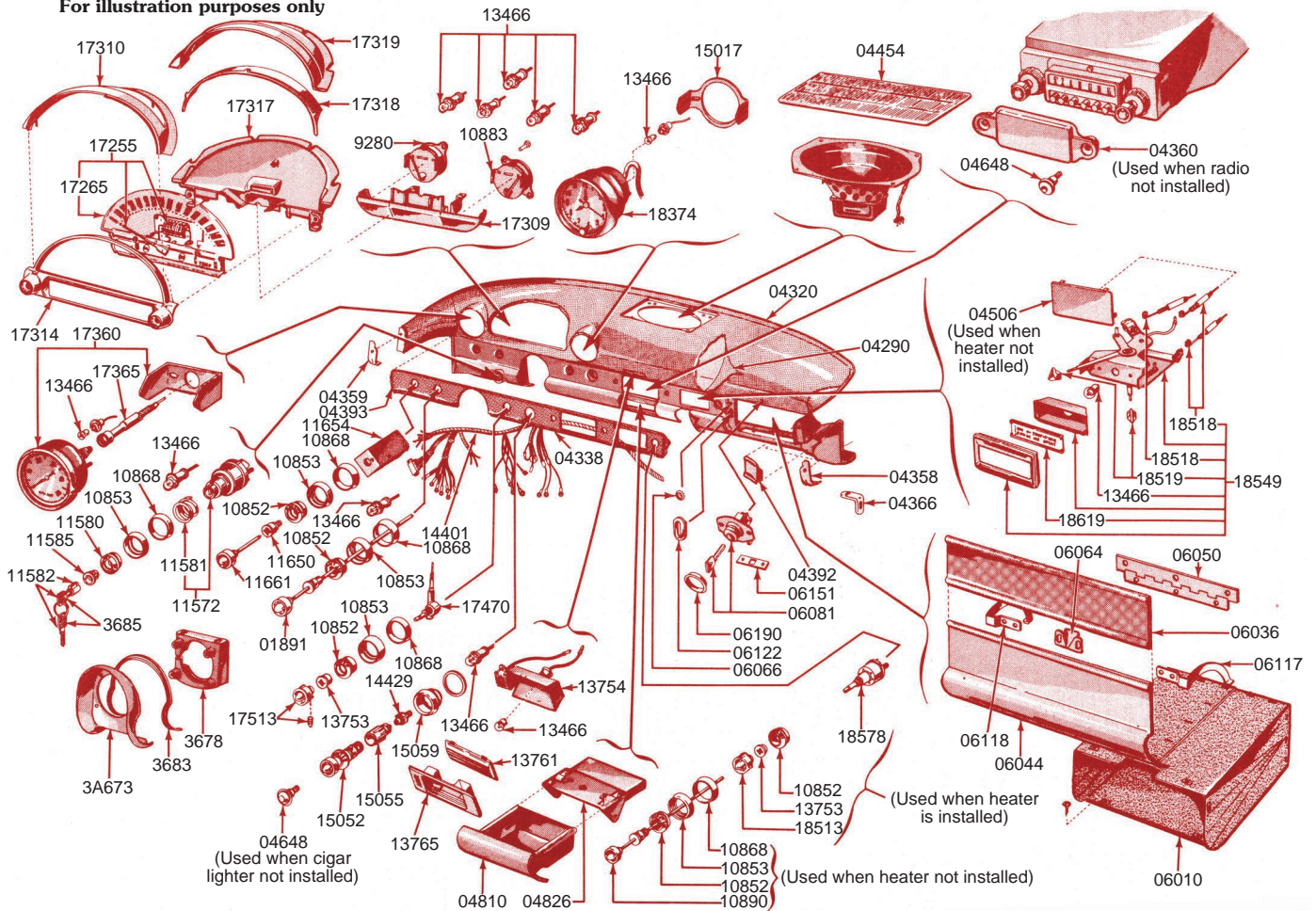
**04144 - Visor Arm & Bracket**

- 04144A** Arm & bracket assembly, RH, 56 ..... 50.60
- 04145A** Arm & bracket assembly, LH, 56 ..... 50.60
- 04144B** Arm & bracket assembly, RH, 57 ..... 50.60
- 04145B** Arm & bracket assembly, LH, 57 ..... 50.60
- HWK11** Visor brackets & clips to windshield moldings 8 pieces, 2 sides ..... 2.75
- NOTE••** For the rest of windshield molding screws see HWK9



## 1955 - 56 DASH ASSEMBLY

For illustration purposes only

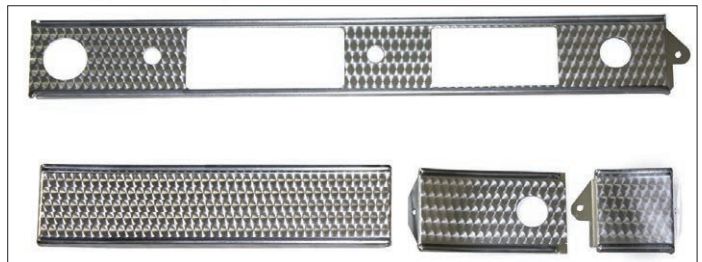


**Thinking About New Upholstery?  
See Our Complete Upholstery  
Selection on Page 2.**



**04290 - Padded Dash**

<b>04290D</b>	Black, 57 .....	481.95
<b>04290E</b>	White, 57 .....	481.95
<b>04290F</b>	Red, 57 .....	481.95
<b>04290G</b>	Green, 57 .....	481.95
<b>04290H</b>	Bronze, 57 .....	481.95
<b>04290J</b>	Blue, 57 .....	481.95
<b>•HWK152</b>	Cowl braces to firewall & cowl, 22 pieces, 2 sides .....	3.50
<b>•HWK73</b>	Dash "L" chrome (04358/9) to dash, 4 pieces, 2 sides .....	0.95
<b>•HWK79</b>	Instrument eyebrow stainless trim to dash, 57, 7 pieces .....	2.95
<b>04290A</b>	Retainer straps, dash pad to dash, set of 4, 57 .....	14.70
<b>•HWK143</b>	Padded dash retainer straps to dash, 57, 12 pieces .....	1.90
<b>04338A</b>	Dash aluminum trim, center 55-56 .....	112.50

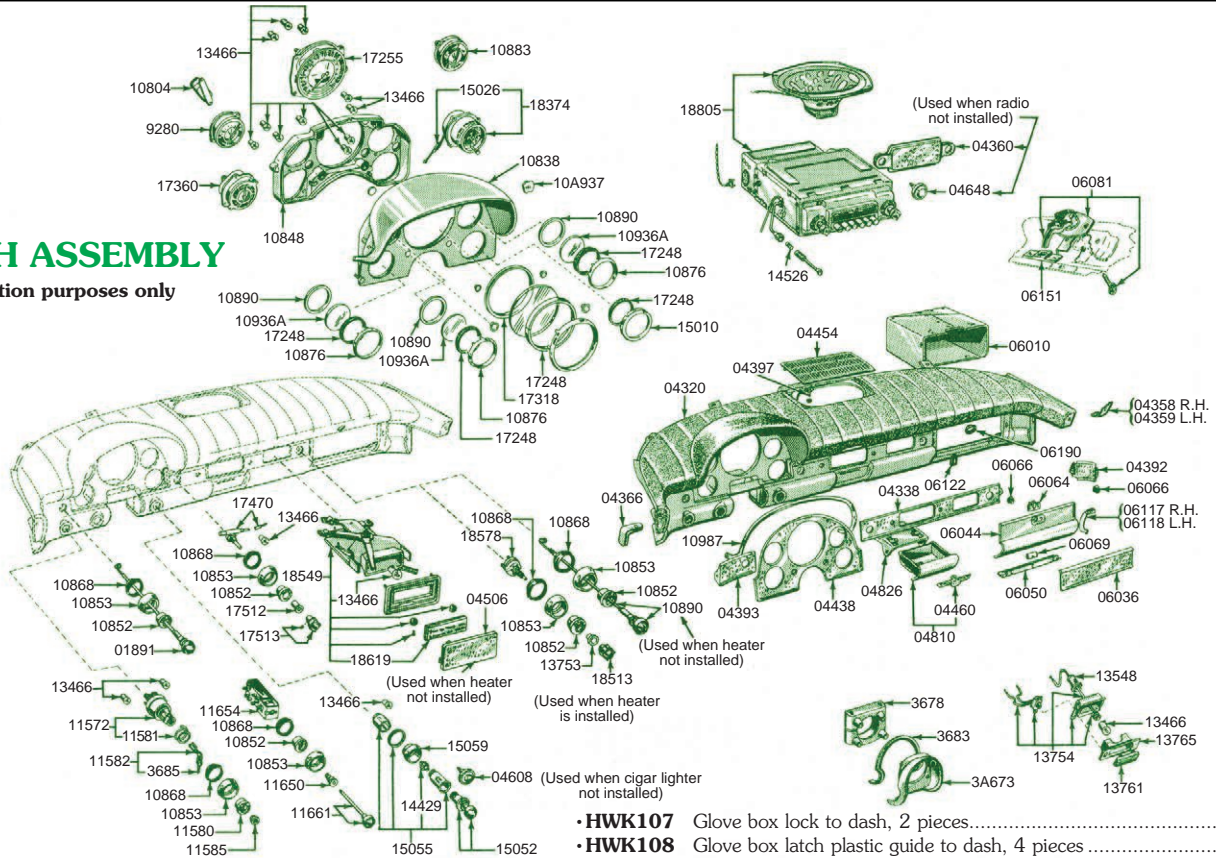


**04338BK - Aluminum Dash Trim Kit**

<b>04338AK</b>	Consists of all 4 dash aluminum pieces for the 55-56 models; 04392, 04393, 04338 & 06036 .....	320.50
<b>•HWK102</b>	Dash aluminum to dash, 6 pieces .....	1.34
<b>04338B</b>	Dash aluminum trim, center, 57 .....	112.50
<b>04338BK</b>	Consists of 4 dash aluminum pieces for 57 models; 04392, 04393, 04338 & 06036 .....	320.60
<b>04338CK</b>	Consists of 5 dash aluminum pieces for 57 models; 04392, 04393, 04338, 04438 & 06036 .....	444.45
<b>•NOTE•</b>	We can supply any or all dash aluminum pieces without holes for those doing custom dashes.	
<b>•HWK102</b>	Dash aluminum to dash, 6 pieces .....	1.34
<b>04358</b>	Plate, dash end cap, chrome, RH .....	17.95
<b>04359</b>	Plate, dash end cap, chrome, LH .....	17.95
<b>•HWK73</b>	Screws, dash "L" chrome (04358/9) to dash 4 pieces, 2 sides .....	0.95
<b>04392</b>	Dash aluminum trim, end, RH .....	56.25
<b>04393A</b>	Dash aluminum trim, LH, 55-56 .....	56.25
<b>04393B</b>	Dash aluminum trim, LH, 57 .....	56.25

**1957 DASH ASSEMBLY**

For illustration purposes only



**04407**  
Glove Box Emblem

**04407** V-8 emblem, glove box, 55-56 ..... 18.45



**04460**  
Dash Emblem



**04438 - Instrument Cluster Trim**

**04438** Dash aluminum trim, instrument cluster, 57 ..... 127.45  
**04460** Name plate, Thunderbird, on dash, without safety pad 55-56 ..... 24.95



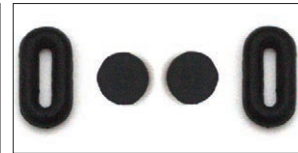
**06010 - Glove Box**

**06010** Glove box, exact reproduction ..... 21.95  
**•HWK12** Glove box to dash, 6 pieces ..... 1.00  
**•HWK103** Glove box hinge to dash, 6 pieces ..... 0.75  
**•HWK104** Glove box striker to door, 4 pieces ..... 1.00  
**•HWK105** Glove box door guide arms to door, 8 pieces ..... 1.95  
**•HWK106** Glove box hinge to door, 6 pieces ..... 1.55

**•HWK107** Glove box lock to dash, 2 pieces ..... 0.85  
**•HWK108** Glove box latch plastic guide to dash, 4 pieces ..... 1.05  
**•HWK109** Ash tray slide to dash & ash receptacle to tray face plate, 8 pieces ..... 1.70  
**06036** Dash aluminum trim, glove box ..... 123.75  
**06050** Hinge, glove box door ..... 7.00  
**06064** Striker, glove box door ..... 11.25



**06064**

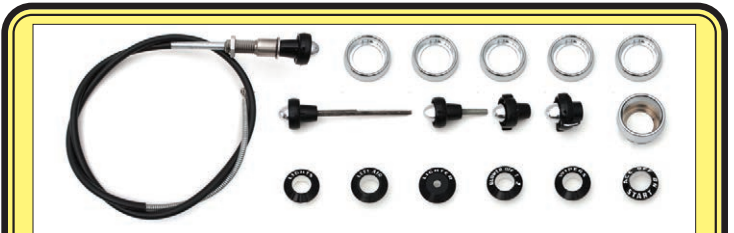


**06066**



**06190**

**06066** Bumper & grommet set, glove box door ..... 3.75  
**06069** Glove box door spring ..... 7.99  
**06117** Arm, glove box door, RH ..... 8.35  
**06118** Arm, glove box door, LH ..... 8.35  
**06151** Adjusting plate, plastic, glove box lock ..... 6.75  
**06190** Bezel, glove box lock, 55-56 ..... 10.95  
**06190C** Bezel, glove box lock, 57 ..... 10.95

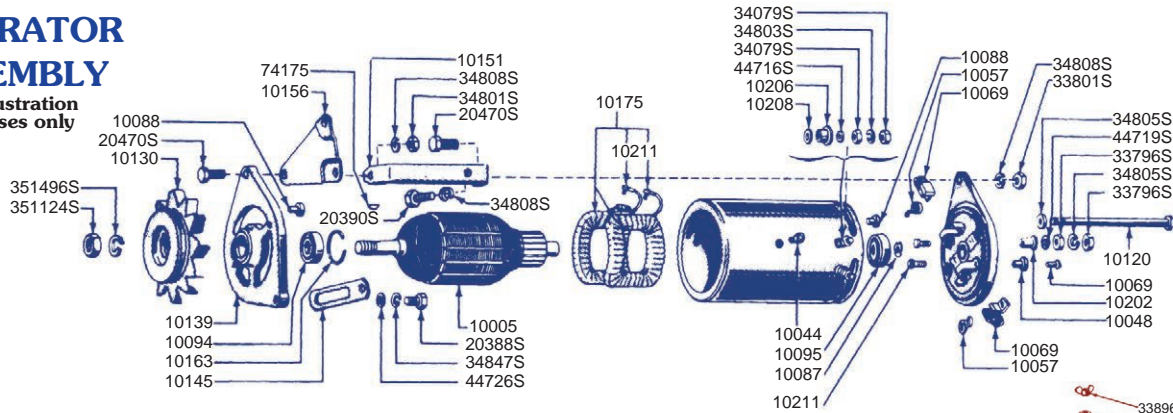


**10851AK** Dash Knob and Bezel Kit, 55-56, includes headlight bezel, wiper control bezel, heater switch bezel, lighter bezel, left air control bezel, ignition switch bezel, 5 chrome rings with seals, lighter chrome bezel, lighter knob, heater knob, wiper knob, headlight switch knob with shaft and RH vent cable with knob ..... 296.75  
**10851BK** Dash Knob and Bezel Kit, 57, as above ..... 296.75

**10853** Bezel ring, dash controls, 6 required ..... 14.50  
**10868** Grommet, rubber, for 10853, 5 required ..... 1.65

## GENERATOR ASSEMBLY

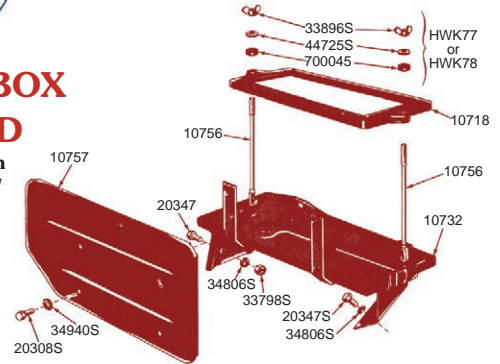
For illustration purposes only



- 10001AK** Generator overhaul kit, 6 volt, consists of 1-10094, 1-10095, 1 set-10069 & 2-10057 ..... 40.00
- 10001BK** Generator overhaul kit, 12 volt..... 40.00
- 10002AX** Generator, rebuilt, 6 volt, R&R only, without pulley ..... 169.95
- 10002BX** Generator, rebuilt, 12 volt, R&R only, without pulley ..... 169.95

## BATTERY BOX & SHIELD

For illustration purposes only



- 10211** End plate conversion kit, converts passenger car end plate to Thunderbird, with instructions.
- 10211AC** End plate, generator, cast iron ..... 20.95
- 10211AS** End plate, generator, stamped steel..... 20.95
- 10346K** Alternator conversion kit without alt..... 135.95
- 10346X** Alternator, rebuilt, 63 amp ..... 136.95
- 10505A** Voltage regulator, 55, 6 volt..... 74.50
- 10505B** Voltage regulator, 56-57, 12 volt..... 135.00
- HWK209** Voltage regulator to inner fender, 3 pieces ..... 1.00



Alternators that look like generators.

### Features Include:

- 90 Amp Highway / 60 Amps Idle**
- 56-57 12 Volt Negative Ground**
- Output Terminal in OE Location**
- 3/8" Wide V-Pulley**
- Black Powder Coat or Chrome Finish**
- Bolts to Stock Brackets**



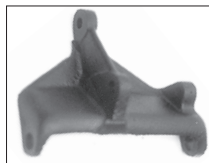
**10003C**

- 10003A** 55, black, 90 amp with internal regulator ..... 451.00
- 10003B** 55, chrome, 90 amp with internal regulator..... 695.00
- 10003C** 56-57, black, 90 amp with internal regulator ..... 465.00
- 10003D** 56-57, chrome, 90 amp with internal regulator..... 659.00

- HWK237A** Generator to all 3 brackets with stamped steel end plate 11 pieces ..... 4.50
- HWK237B** Generator to all 3 brackets with cast end plate, 11 pieces ..... 4.95
- 10057** Spring, generator brush..... 5.95
- 10069B** Brush assembly, generator, 12 volt, 55-57..... 15.25
- 10094** Bearing, generator end plate, power steering pump ..... 11.25
- 10095** Bearing, generator, rear ..... 15.50
- 10130** Pulley, generator, reproduction..... 137.00



**10145**



**10151**



**10153**

- 10145** Arm, generator belt adjusting ..... 15.00
- 10151** Bracket, generator mounting, cast ..... 44.95
- 10153** Bracket, generator support to water pump housing..... 9.50

- 10717AK** Battery hold down kit, 55; includes 10718A clamp, 2-10756A bolts, wingnuts, washers and grommets ..... 30.00
- 10717BK** Battery hold down kit, 56-57, GRP 29; includes 10718B clamp, 2-10756 bolts, wingnuts, washers and grommets ..... 40.95
- 10717CK** Battery hold down kit, 56-57, GRP 32; includes 10718C clamp, 3-10756 bolts, wingnuts, washers and grommets ..... 56.00

- 10718A** Clamp, battery hold down, 55 6 volt, GRP 2N, 5 3/4" x 10 1/4", powder coated ..... 14.50
- 10718B** Clamp, battery hold down, 56-57, GRP 29, 5 1/2" x 12 1/2", powder coated ..... 22.50
- 10718C** Clamp, battery hold down, 56-57, GRP 32, 5 1/2" x 14 1/4", powder coated ..... 36.50
- HWK77** Battery hold down washers & wingnuts, 2 bolt type, 6 pieces ..... 4.65
- HWK78** Same as HWK77B, 3 bolt type, 9 pieces ..... 5.65
- 10719AK** Battery hold down kit, 55, 6 volt, without clamp ..... 10.95
- 10719BK** Battery hold down kit, 56-57, GRP 29, without clamp ..... 10.95
- 10719CK** Battery hold down kit, 56-57, GRP 32, without clamp ..... 13.95
- 10720** Bracket, battery to inner fender, 55 ..... 7.30
- 10732A** Battery tray, 55 ..... 76.25
- 10732B** Battery tray, 56-57 ..... 76.25
- HWK198** Battery tray to inner fender & firewall, 12 pieces ..... 3.95
- 10756A** Bolt, battery clamp, 9"..... 4.95
- 10756B** Bolt, battery clamp, 10 1/4", must be cut ..... 5.95
- 10757A** Battery shield, 55 ..... 34.25
- HWK199A** Battery heat shield to battery tray, original tray, 55, 4 pieces..... 0.95
- HWK199B** Battery heat shield to battery tray, repro tray, 55, 6 pieces ..... 1.10
- 10757B** Battery shield, 56-57 ..... 42.50
- HWK200A** Battery heat shield to battery tray, original tray, 56-57 4 pieces..... 1.05
- HWK200B** Battery heat shield to battery tray, repro tray, 56-57, 8 pieces.. 1.95

- 10804 Instrument voltage regulator, 57..... 31.60
- 10840 57 speedometer trim ring, chrome..... 22.00



**10852B**  
Inner Bezel, Wipers



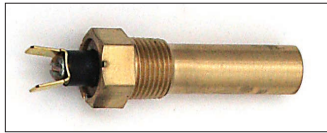
**10852E**  
Inner Bezel, Air



**10853**  
Bezel Ring

**10852 Inner Bezels, Plastic Inlay Lettering as Original**

- 10852A Inner bezel, lights, plastic inlay lettering, as original..... 17.75
- 10852B Inner bezel, wipers, plastic inlay lettering, as original..... 17.75
- 10852C Inner bezel, heater, plastic inlay lettering, as original..... 17.75
- 10852D Inner bezel, lighter, plastic inlay lettering, as original..... 17.75
- 10852E Inner bezel, left air, plastic inlay lettering, as original..... 17.75
- 10852F Inner bezel, right air, plastic inlay lettering, as original..... 17.75
- 10853 Bezel ring, dash controls, 6 required..... 14.50
- • NOTE • • For cigar lighter chrome bezel see 15059.
- 10868 Grommet, rubber, for 10853, 6 required..... 1.65
- 10876 Bezel ring, dash instruments, set of 5, 57..... 84.95
- 10883A Temperature gauge, 55..... 87.30
- 10883B Temperature gauge, 56..... 87.30
- 10883D 55, 12 volt temperature gauge and sender..... 128.95
- 10883E 56, 12 volt temperature gauge and sender..... 149.95
- 10883F 55, 6 volt temperature gauge and sender..... 169.95



**10884B - Temperature Sending Unit**

- 10884A Sending unit, temperature, 6 volt, 55..... 69.95
- 10884B Sending unit, temperature, 12 volt, 56..... 69.95
- 10884C Sending unit, temperature, 12 volt, 57..... 19.95
- 10911A Adapter, water temperature sender, 55-56..... 16.30
- 10911B Adapter, water temperature sender, 57..... 16.30
- ACC52A 55-56 Temperature sender adapter (10911) puller. Screw this puller into the adapter, tighten nut and remove the adapter..... 19.95
- ACC52B 57 Temperature sender adapter (10911) puller. Screw this puller into the adapter, tighten nut and remove the adapter..... 19.95
- 10936A Lens, glass, speedometer dial, 57..... 4.50
- 10936B Lens, glass, fuel, temperature and tachometer, 57..... 3.45

- 11002AX Starter assembly, rebuilt, 6 volt, R&R only..... 169.95
- 11002B Starter assembly, new, 12 volt with drive gear..... 215.95
- 11002BX Starter assembly, rebuilt, 12 volt, R&R only..... 169.95
- HWK227 Starter motor to bell housing, 6 pieces..... 1.30
- 11036 Washer, starter motor armature thrust..... 0.80
- 11052 Bushing, starter motor front end plate, NOS..... 4.00
- 11057 Brush set, starter motor..... 14.95



**11135BK**



**11136K**

**Plug Sets**

- 11135AK Kit, floor and cowl plugs, set of 10 plugs, 55-56..... 19.95
- 11135BK Kit, floor and cowl plugs, set of 11 plugs, 57..... 21.95
- 11136K Kit, quarter panel drain plugs, kit contains 4 pieces; 2 correct round button plugs and 2 drain plugs..... 5.95
- 11215B Bracket, spare wheel bolt at trunk floor, 55..... 9.45
- 11215C Support, spare wheel at trunk floor, 55..... 7.30
- 11215D Bracket, jack retainer at trunk floor, 55-56..... 3.40
- 11215D7 Bracket, jack retainer at trunk floor, 57..... 3.75
- 11215E Clip, jack post at wheelhouse, 55-56..... 1.50
- 11290 Access plate, fuel sender on trunk floor..... 10.50
- 11350 Starter drive..... 139.95
- 11365 Pin, starter motor drive pinion..... 1.95
- 11450A Relay, starter motor solenoid, 6 volt..... 26.95
- 11450B Relay, starter motor solenoid, 12 volt..... 18.95
- 11450C Relay, starter motor solenoid, 12 volt, brown as original..... 45.00
- HWK208 Starter solenoid to firewall, 2 pieces..... 1.10
- 11572 Switch, ignition, includes spring..... 31.95
- 11580 Inner bezel, ignition..... 19.95
- 11581 Spring, ignition switch..... 3.00
- 11582 Cylinder & keys, ignition switch..... 16.95



**11585 - Retainer Nut**

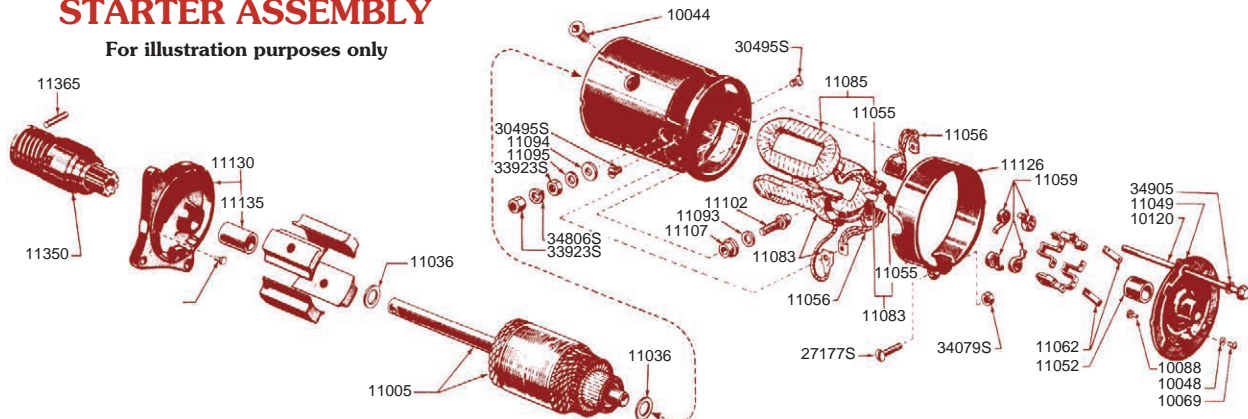


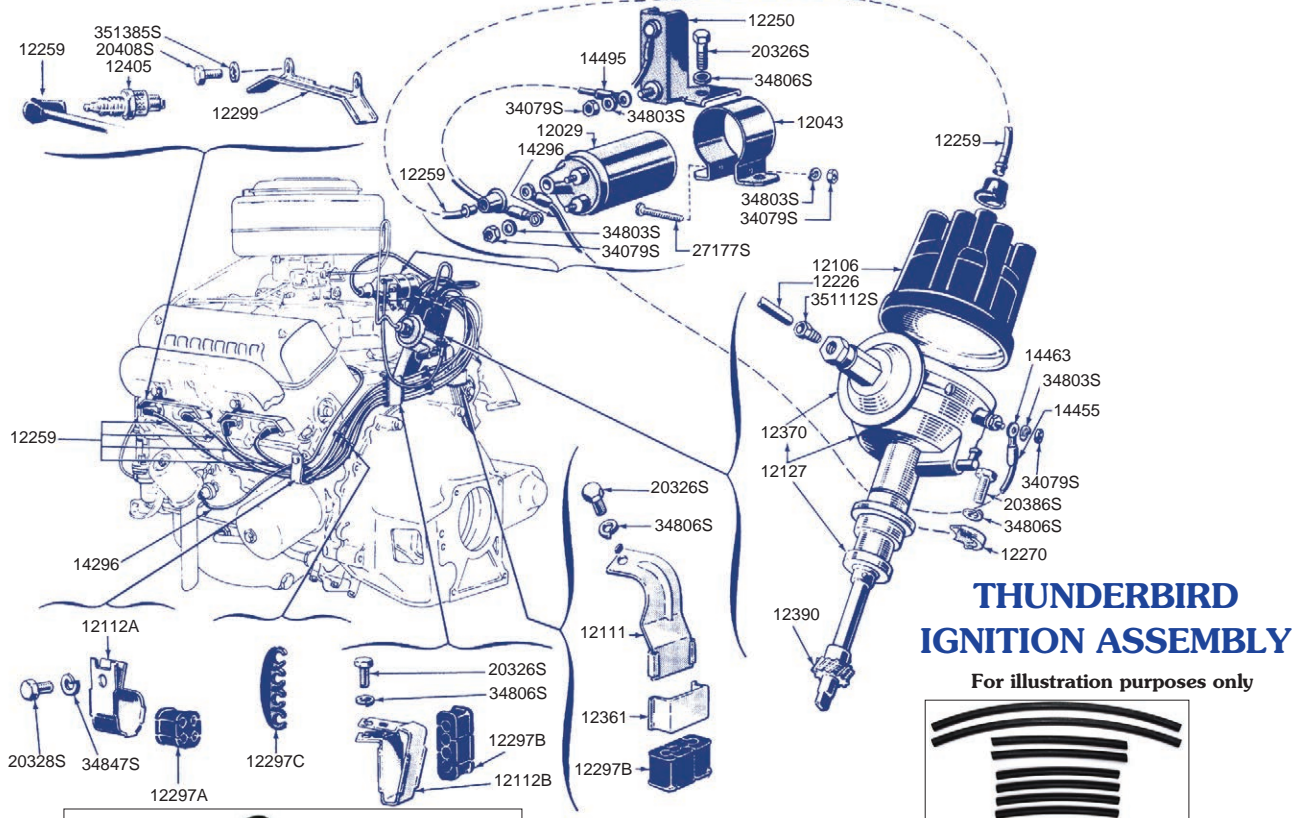
**11661A - Headlight Knob**

- 11585 Retainer nut, ignition switch, bezel..... 14.95
- 11650A Retaining nut, headlight switch, 55-56..... 17.95
- 11650B Retaining nut, headlight switch, 57..... 17.95
- ACC10 Dash bezel tool, a must for removing the bezels on your dash..... 6.95
- 11661A 55-56 Headlight knob with shaft..... 22.50
- 11661B 57 Headlight knob with shaft..... 22.50

**STARTER ASSEMBLY**

For illustration purposes only





## THUNDERBIRD IGNITION ASSEMBLY

For illustration purposes only



- 12000AK** Kit, distributor tune up, consists of 1-12171 Point set, 1-12300 condenser, & 1-12200 rotor, 55-56 ..... 24.95
- 12000BK** Kit, distributor tune up, 57..... 24.95
- 12000C** Pertronix II solid state ignition, replaces points and condenser, 55, 6 volt ..... 130.95
- 12000D** Pertronix II solid state ignition, replaces points and condenser, 55-56, 12 volt ..... 130.95
- 12000E** Pertronix II solid state ignition, replaces points and condenser, 57 ..... 132.95
- 12029A** Coil, 6 volt..... 29.95
- 12029B** Coil, 12 volt..... 26.95
- 12029C** Coil, 12 volt with yellow top ..... 41.95
- 12029D** Coil, Pertronix 40,000 Volt, black, 12 volt..... 46.95
- 12029E** Coil, Pertronix 40,000 Volt, chrome, 12 volt ..... 48.95



**12000AK - Distributor Tune Up Kit**

- 12110AK** Conduit protectors, spark plug wires ..... 6.95
- 12111** Bracket, ignition cable mounting (used with 12361 clamp)..... 4.50



- 12113K** Kit, ignition cable grommets and brackets; consists of 2-12297A, 2-12297B, 2-12297C, 2-12112A, 1-12112B, 1-12361, 1-12111 ..... 28.95
- HWK233** Spark plug wire brackets to engine, 8 pieces ..... 2.50
- 12120A** 55-56 distributor shaft bushing..... 15.50
- 12120B** 57 distributor shaft bushing..... 17.95



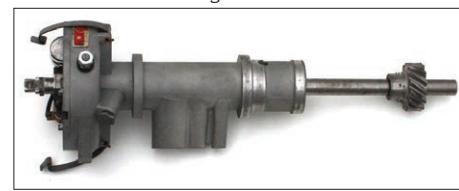
**12043A**



**12043B**

**Coil Brackets**

- 12043A** Bracket, coil, 55..... 24.95
- 12043B** Bracket, coil, 56-57..... 35.95
- HWK232** Coil bracket to intake manifold, 4 pieces ..... 1.15
- 12106A** Distributor cap, 55-56 ..... 21.00
- 12106B** Distributor cap, 57 ..... 22.95



**12127AX - Distributor**

- 12127AX** 55, Distributor assembly, rebuilt, R&R only, without advance ..324.95
- 12127BX** 56, Distributor assembly, rebuilt, R&R only, without advance. 324.95
- 12127CX** 57, Distributor assembly, rebuilt, R&R only, without advance. 324.95
- 12127DK** New electronic distributor with tachometer drive and 45k coil.. 425.00
- NOTE••** Core must be sent to rebuilder to inspect prior to exchange.
- EXTRA••** Distributor cores must be sent assembled and complete. An extra charge will be assessed for disassembled units, bent or worn out shafts, cracked or broken housings or missing parts or excessive wear.



12128	Plug, floor access hole.....	12.25
•HWK82	Floor plug buttons for power seat cars, 2 pieces, 2 sides.....	1.30
12143	Gasket, distributor base.....	3.00
12151A	Plate assembly, distributor breaker, 55-56, NOS.....	34.95
12170	Gasket, FM adjusting plate/governor access plate.....	2.50
•HWK159	Transmission governor cover to floor, 4 pieces.....	1.15
12171A	Point set, distributor, 55-56.....	9.75
12171B	Point set, distributor, 57.....	15.50
12192A	55 vacuum advance spring, pair.....	7.25
12192B	56 vacuum advance spring, NOS.....	4.50
12192C	57 vacuum advance spring.....	6.95
12200A	Rotor, distributor, 55-56.....	7.50
12200B	Rotor, distributor, 57.....	8.95
12210	57 distributor cam, NOS.....	49.95
12213	Retainer, distributor rotor, 55-56.....	3.55
12216	Distributor primary wire.....	15.95
12230	Screw, distributor bracket lock.....	1.25
12250R	Resistor, ignition coil, as original, 56-57, with FoMoCo.....	31.75

12371E	Vacuum line, distributor to carburetor, dual 4 barrel setup, with fittings, 57.....	28.95
12371ESS	As above, stainless steel.....	34.95
12405	Spark plug, BF-82.....	3.95



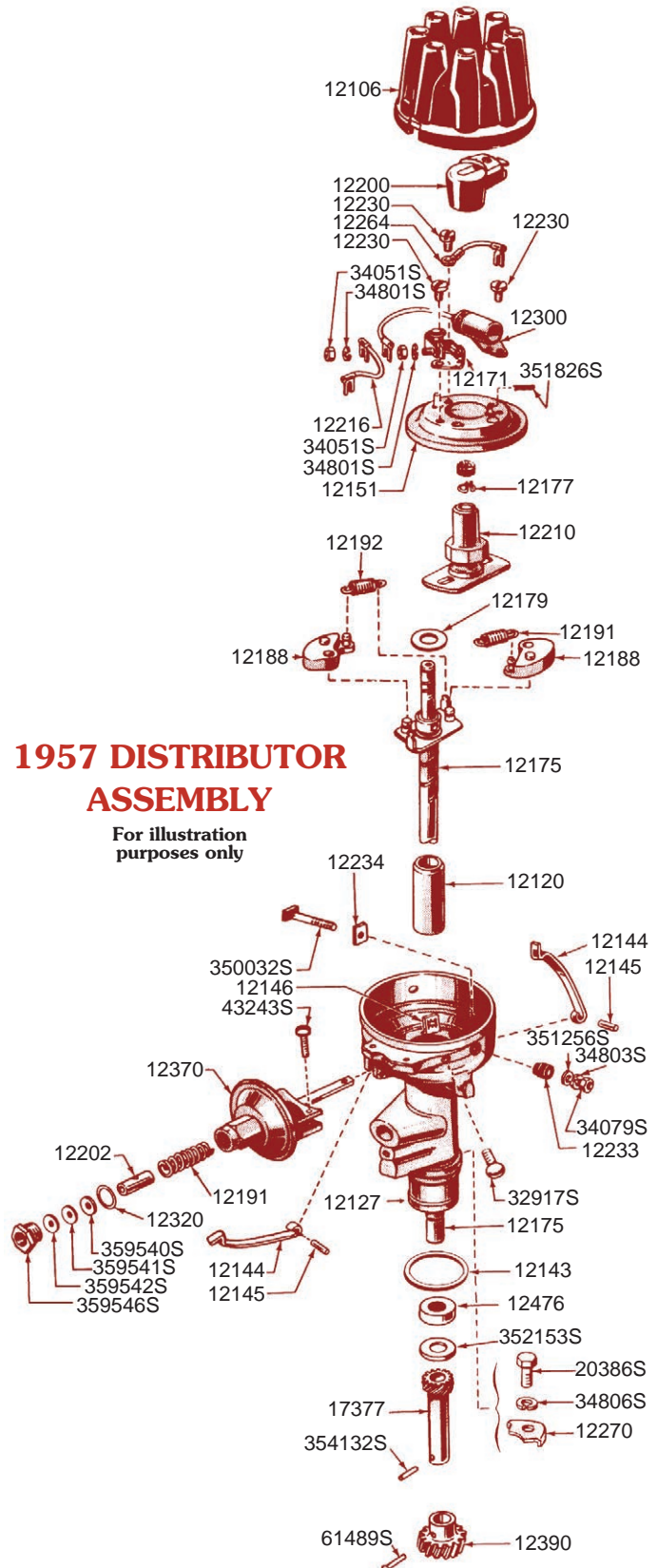
**12259AK - Spark Plug Wiring Kit**

12259	Wire set, spark plugs, glass core.....	38.95
12259L	Wire set, spark plugs, wire core with FoMoCo script.....	74.95
12259C	Wire set, spark plugs, with 12110A conduits.....	46.95
12259AK	Kit, spark plug wires, with attaching brackets and grommets. Consists of 1-12259C & 1-12113K.....	66.95
12259BK	Kit, spark plug wires with FoMoCo script, with attaching brackets and grommets and separators.....	90.95
•HWK233	Spark plug wire brackets to engine, 8 pieces.....	2.50
12264	Distributor ground wire.....	4.75
12270K	Distributor hold down kit, includes clamp, bolt and washer.....	12.95
12297A	Grommet, ignition cable, 4 holes in square.....	1.95
12297B	Grommet, ignition cable, 4 holes in line.....	2.00
12297C	Separator, ignition wire, plastic.....	1.75
12298	Coil wire, brown as original, with end boots.....	22.50
12299	Shield, spark plug wire, 4 required.....	4.80
12300A	Condenser, distributor, 55-56.....	9.95
12300B	Condenser, distributor, 57.....	12.95
12361	Clamp, ignition plug wire bracket, use with 12111.....	3.35
12370AX	Vacuum advance assembly, 55, rebuilt, R&R only.....	175.00
12370BX	Vacuum advance assembly, 56, rebuilt, R&R only.....	275.00
••NOTE••	For 12370AX/BX Core required in advance.	
12370C	Vacuum advance assembly, 57.....	69.95



**12371B - Vacuum Line**

12371A	Vacuum line, distributor to carburetor, with fittings, 55.....	26.95
12371ASS	As above, stainless steel.....	30.95
12371B	Vacuum line, distributor to carburetor, 56, 2 pieces, with fittings.....	31.95
12371BSS	As above, stainless steel.....	37.95
12371C	Vacuum line, distributor to carburetor, with fittings, 57.....	16.95
12371CSS	As above, stainless steel.....	20.95

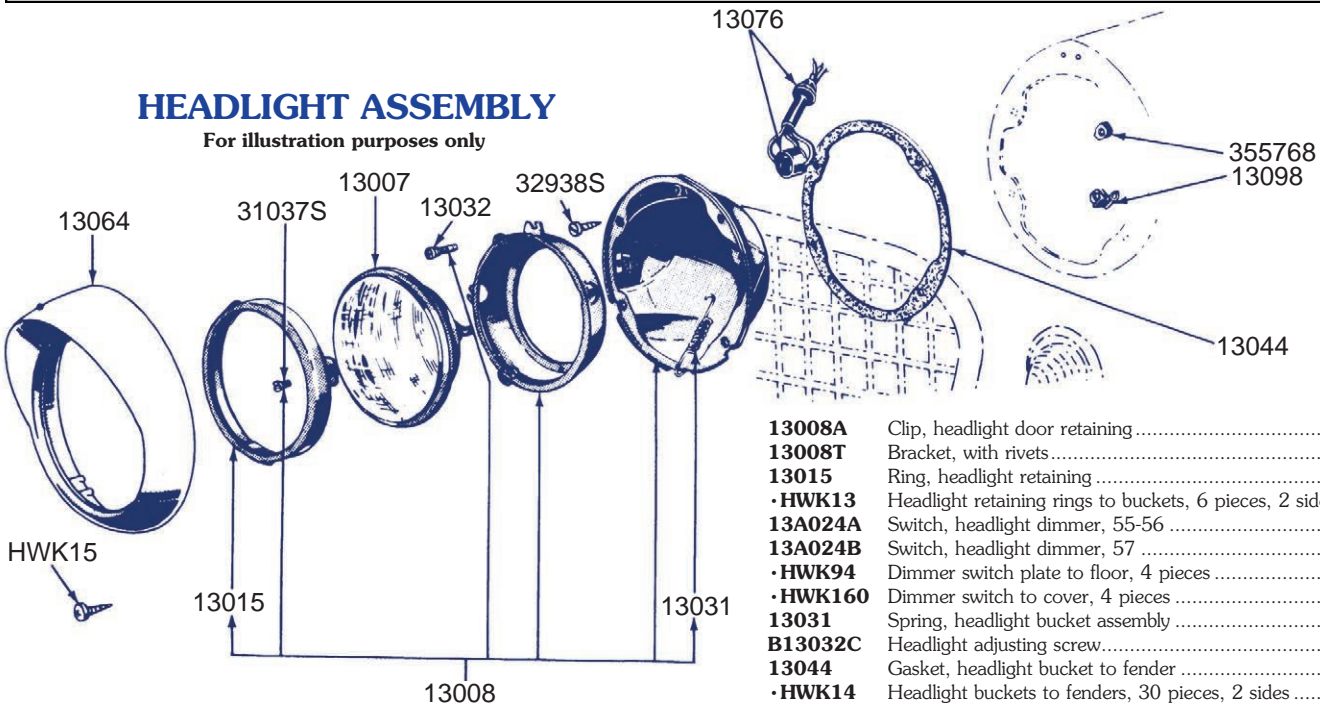


**1957 DISTRIBUTOR ASSEMBLY**

For illustration purposes only

**HEADLIGHT ASSEMBLY**

For illustration purposes only



- 13008A** Clip, headlight door retaining ..... 8.35
- 13008T** Bracket, with rivets ..... 10.95
- 13015** Ring, headlight retaining ..... 16.95
- HWK13** Headlight retaining rings to buckets, 6 pieces, 2 sides ..... 1.30
- 13A024A** Switch, headlight dimmer, 55-56 ..... 21.95
- 13A024B** Switch, headlight dimmer, 57 ..... 48.95
- HWK94** Dimmer switch plate to floor, 4 pieces ..... 1.00
- HWK160** Dimmer switch to cover, 4 pieces ..... 1.00
- 13031** Spring, headlight bucket assembly ..... 3.00
- B13032C** Headlight adjusting screw ..... 1.00
- 13044** Gasket, headlight bucket to fender ..... 3.45
- HWK14** Headlight buckets to fenders, 30 pieces, 2 sides ..... 5.95
- 13063** 55 Fairlane headlight eyebrow ..... 75.00
- 13064RP** Headlight door pin repair kit ..... 12.00
- HWK15** Headlight doors to fenders, 2 pieces, 2 sides ..... 4.78
- 13076A** Wiring assembly, headlight lead, 55-56 ..... 21.95
- 13076B** Wiring assembly, headlight leads, 57, pair ..... 63.00

**13000 Exterior light gasket sets, includes headlights, park light, back up light and license light gaskets**

<b>13000AK</b>	55 with back up lights .....	40.25
<b>13000BK</b>	55 with out back up lights .....	39.30
<b>13000CK</b>	56 .....	39.95
<b>13000DK</b>	57 .....	25.30

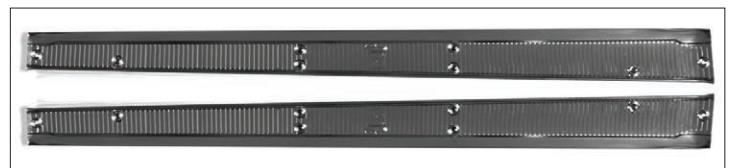
- 13007A** Headlight, sealed beam, 6 volt ..... 25.95
- 13007B** Headlight, sealed beam, 12 volt ..... 19.95
- 13007C** Headlight, sealed beam, 12 volt with FoMoCo etch ..... 34.95
- 13007CH** Headlight, halogen, 12 volt with FoMoCo etch ..... 24.50

**1955 - 56  
PARK LIGHT**



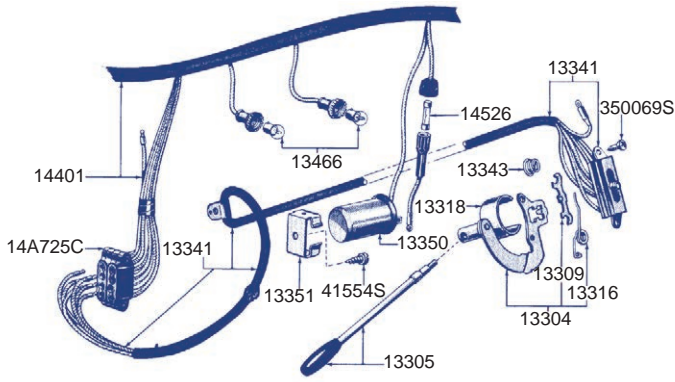
**1957 PARK LIGHT**

- 13206A** Park light body with wire pigtail, 55-56 ..... 47.95
- 13206B** Park light body with wire pigtail, 57 ..... 68.25
- HWK135A** Park light bodies to front bumper, 57, 12 pieces, 2 sides, 1/4"20 ..... 2.35
- HWK135B** Park light bodies to front bumper, 57, 12 pieces, 2 sides, 1/4"28 ..... 2.35
- 13208A** Lens, park light, 55-56 RH or LH ..... 8.95
- 13208B** Lens, park light, 57, RH ..... 12.25
- HWK16** Park light lenses to bodies, 55-56, 6 pieces, 2 sides ..... 4.50
- HWK17** Park light lenses to bodies, 57, 4 pieces, 2 sides ..... 3.75



**13208/9C - Step Plate**

- 13208C** Step plate, RH door ..... 34.95
- HWK18** Step plates (13208/9) to body, cadmium, 16 pieces, 2 sides ..... 2.95
- HWK19** Step plates (13208/9) to body, chrome, 16 pieces, 2 sides ..... 2.65
- 13209B** Lens, park light, LH, 57 ..... 12.25
- 13209C** Step plate, LH door ..... 34.95
- 13210** Ring, park light lens retaining, 55-56 ..... 10.60
- 13211A** Gasket, park light lens, 55-56 ..... 1.60
- 13211B** Gasket, park light lens, 57 ..... 1.80
- 13217A** Pad, park light body to fender, 55-56 ..... 4.35
- 13217B** Pad, park light body to bumper, 57 ..... 2.15
- 13220** Retainer, park light, welds to fender, 55-56 ..... 22.95

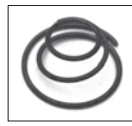


**TURN SIGNAL ASSEMBLY**

For illustration purposes only



**13304B**  
Canceling Plate

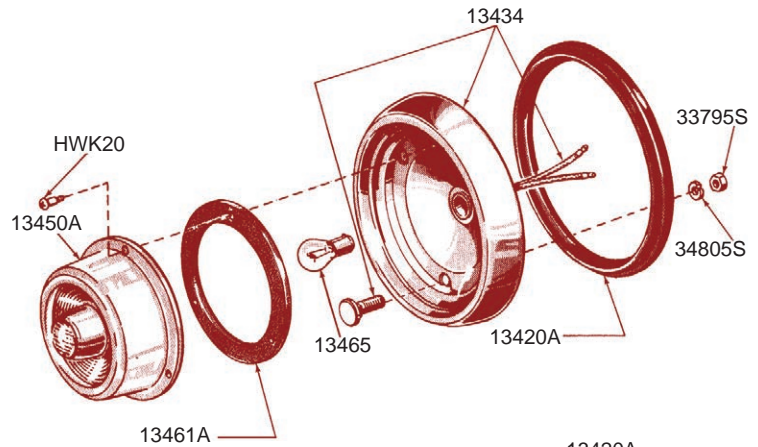


**13343A**  
Spring

<b>13304A</b>	Canceling plate assembly, 55, includes 13309 & 13316 .....	48.25
<b>13304B</b>	Canceling plate assembly, 56-57, includes 13309 & 13316 .....	51.50
<b>13305A</b>	Lever, turn signal, 55 .....	16.75
<b>13305B</b>	Lever, turn signal, 56-57 .....	15.75
<b>13309</b>	Pawl, turn signal switch plate .....	8.50
<b>13316</b>	Spring, turn signal switch plate .....	6.25
<b>13318</b>	Cam, steering wheel, turn signal canceling .....	11.50
<b>13341</b>	Switch, turn signal .....	105.95
<b>13343A</b>	Spring, original turn signal switch .....	3.25
<b>13343B</b>	Spring, replacement turn signal switch .....	3.25
<b>13350AE</b>	Flasher, turn signal, electronic 6 volt .....	34.95
<b>13350B</b>	Flasher, turn signal, 12 volt .....	4.25
<b>13398A</b>	Bumper, trunk lid, pair, 55-56 (mounts to rear panel) .....	7.90
<b>13398B</b>	Bumper, trunk lid, pair, 57 (mounts to trunk lid) .....	3.50
<b>13410A</b>	Wire pigtail, park light, 55-56 .....	21.50
<b>13410B</b>	Wire pigtail, park light, 57 .....	21.50
<b>13411B</b>	Socket, back up light bulb, 55/56 .....	13.95
<b>13411C</b>	Socket, back up light bulb, 57 .....	23.46
<b>13411D</b>	Wire pigtail, back up light, as original, without socket, 57 .....	24.95
<b>13412</b>	Socket & wire assembly, 57 license light .....	19.62
<b>13420A</b>	Pad, tail light housing to body, 55-56 .....	5.75
<b>13420B</b>	Pad, tail light door to body, 57 .....	3.10
<b>13423</b>	Retainer bracket, rear license plate light, 55-56 .....	16.82
<b>13434A</b>	Housing, tail light, with correct pigtail, 55 .....	48.50
<b>13434B</b>	Housing, tail light, with correct pigtail, 56 .....	43.00
<b>13437</b>	Lens, back-up housing reflector, 56 .....	5.75
<b>13450A</b>	Lens, tail light, 55, without FoMoCo script .....	19.90
<b>13450AS</b>	Lens, tail light, 55, with FoMoCo script .....	25.00
<b>13450BS</b>	Lens, tail light, 56, with FoMoCo script .....	35.00
<b>13450C</b>	Lens, tail light, 57, without back up lights .....	39.95
<b>13450D</b>	Lens, tail light, 57, with back up lights .....	37.95
<b>13450E</b>	Lens, tail light, 57, with back up lights, with FoMoCo script .....	49.95
<b>•HWK20</b>	Tail light lenses to bodies, 55, 6 pieces, 2 sides .....	4.50
<b>•HWK21</b>	Tail light lenses to bodies, 56, 6 pieces, 2 sides .....	5.95
<b>•HWK22</b>	Tail light lenses to bodies, 57, 8 pieces, 2 sides .....	7.50
<b>•HWK136</b>	Rear light bodies to rear quarters, 55/56, 6 pieces, 2 sides .....	1.15
<b>•HWK137</b>	Quarter panel extensions to quarter panels, 57, 8 pieces, 2 sides .....	2.75
<b>13461A</b>	Gasket, tail light lens mounting, 55 .....	2.80
<b>13461B</b>	Gasket, tail light lens mounting, 56 .....	2.80
<b>13461C</b>	Gasket, tail light lens mounting, 57 .....	3.50
<b>13465AK</b>	Miniature bulb kit, contains all the small bulbs needed for the car with instructions, 55, 20 bulbs .....	35.95
<b>13465BK</b>	Miniature bulb kit, 56, 25 bulbs .....	26.70
<b>13465CK</b>	Miniature bulb kit, 57, 28 bulbs .....	29.50

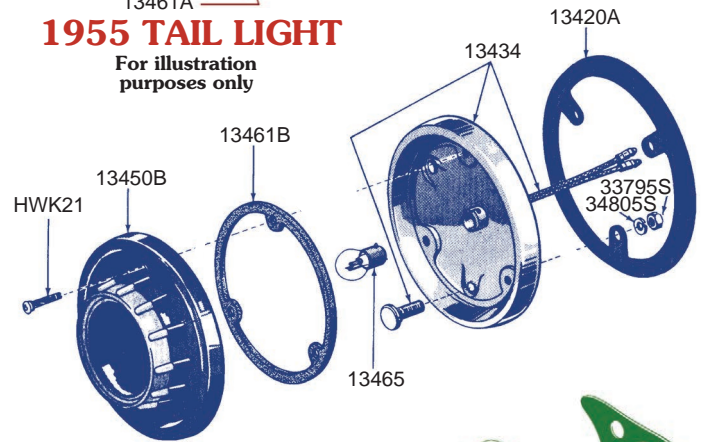
<b>13480</b>	Switch, brake light, OE pressure type .....	14.95
<b>13480M</b>	Mechanical brake light switch, mounts under dash .....	32.95
<b>13489A</b>	Bezel, tail light lens, 57, without back up lights .....	28.25
<b>13489B</b>	Bezel, tail light lens, 57, with back up lights .....	28.25
<b>13535</b>	Plate, dimmer switch .....	43.75
<b>13548</b>	Wire, 57 license light and 55-57 dash lights, without socket .....	3.95

<b>13550K55</b>	<b>Light assembly kit</b> , rear license, 55, 6 volt; includes 13560A (original 2 bulb type); 13568, 13564, 13423, 13465; & 2-34802S .....	67.25
<b>13550K56</b>	<b>Light assembly kit</b> , rear license, 56, 12 volt; includes 13560-A (original 2 bulb type); 13568; 13564, 13423, 13465 & 2-34802S .....	67.25
<b>13550K57</b>	<b>Light assembly kit</b> , rear license, 57, 12 volt; includes 13560-B, 13568, 13564, 13566, 13465 & 13412 .....	79.50



**1955 TAIL LIGHT**

For illustration purposes only



**1956 TAIL LIGHT**

For illustration purposes only

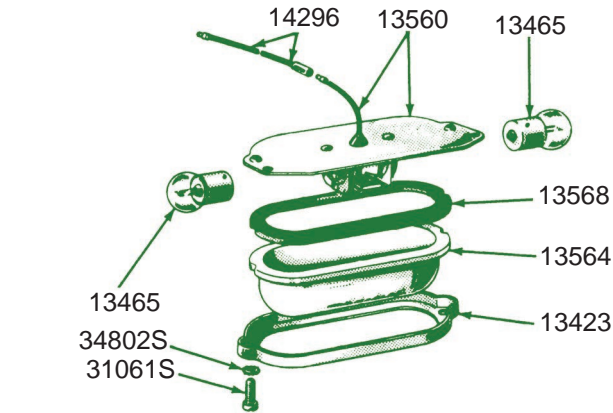


**1957 TAIL LIGHT**

For illustration purposes only

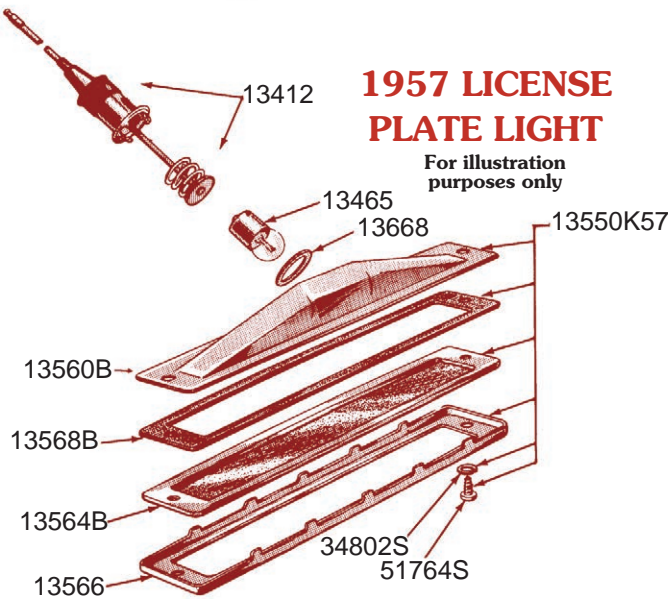
**1955 - 56 LICENSE PLATE LIGHT**

For illustration purposes only



**1957 LICENSE PLATE LIGHT**

For illustration purposes only



<b>13560A</b>	Body, rear license light, 55-56, original two bulb type .....	37.00
<b>13560B</b>	Body, rear license light, 57 .....	26.94
<b>13564A</b>	Lens, license light, 55-56 .....	17.00
<b>13564B</b>	Lens, license light, 57 .....	16.25
<b>•HWK23</b>	License plate light lens to bumper, 55-56, 4 pieces .....	0.90
<b>•HWK24</b>	License plate light lens to bumper, 57, 4 pieces .....	1.05
<b>13566</b>	Retainer, license light lens, chrome, 57 .....	20.20
<b>13568A</b>	Gasket, license light lens, 55-56 .....	1.65
<b>13568B</b>	Gasket, license light lens, 57 .....	1.69
<b>13596</b>	License plate holder, rear, set of 3, 55 .....	12.50
<b>13644</b>	Wire pigtail, brake light switch, pair .....	4.25
<b>13713</b>	Switch, door post map light .....	7.75
<b>13753</b>	Wiper bezel nut, 55-56, heater switch bezel nut 55-57 .....	14.70
<b>13754A</b>	Switch and wires, map light .....	12.30
<b>13754B</b>	Socket, map light .....	14.76
<b>13761</b>	Lens, map light .....	7.00



**13765 - Map Light Housing**

<b>13765</b>	Housing, map light lens .....	22.65
--------------	-------------------------------	-------

<b>13830</b>	55-57 horn bracket, RH .....	4.95
<b>13831</b>	55-57 horn bracket, LH .....	4.95

**HORNS**

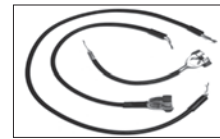


**13832D**



**13833D**

<b>13832C</b>	12v, Hi pitch, flat cover & triangular wire connector, most 57s .....	34.95
<b>13832D</b>	12v, Hi pitch, flat cover & flat push on wire connector, late 57-64 .....	34.95
<b>13833C</b>	12v, Lo pitch, flat cover & triangular wire connector, most 57s .....	34.95
<b>13833D</b>	12v, Lo pitch, flat cover & flat push on wire connector, late 57-64 .....	34.95
<b>•HWK197</b>	Horn brackets to body, 8 pieces, 2 sides .....	2.95
<b>13853A</b>	Relay & bracket assembly, horn, 6 volt, 55 .....	12.95
<b>13853B</b>	Relay & bracket assembly, horn, 12 volt, 56, Ford replacement .....	9.95
<b>13853C</b>	Relay & bracket assembly, horn, 12 volt, 57, Ford replacement .....	29.99
<b>14A033</b>	Power seat switch power bar .....	7.95
<b>14A033A</b>	Power window power bar .....	7.95
<b>14296A</b>	Wire, license light feed, 55 .....	7.95
<b>14296B</b>	Wire, license light feed, 56 .....	15.80



**14300-1CK - Battery Cable Set**

<b>14300-1BK</b>	Battery cable set, original design, 56 set of 3 .....	74.00
<b>14300-1CK</b>	Same as above, 57, set of 3 .....	74.00
<b>14300A</b>	Cable, battery to starter relay, black, 55 .....	28.00
<b>14300B</b>	Cable, battery to starter relay, black, 56-57 .....	26.95
<b>14301A</b>	Cable, battery to ground, 55 .....	29.50
<b>14301B</b>	Cable, battery to ground, black, 56 .....	29.00
<b>14301C</b>	Cable, battery to ground, black, 57 .....	21.75
<b>14302</b>	Wire, coil to distributor .....	4.30



**14302A**



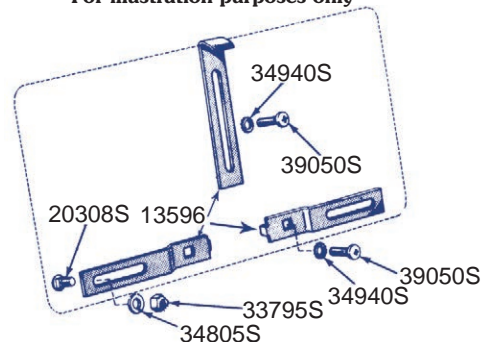
**14302B**

**Battery Cable Grommets**

<b>14302A</b>	Battery cable grommet, 55-56 .....	4.75
<b>14302B</b>	Battery cable grommet, 57 .....	4.75
<b>14303A</b>	Ground strap, engine to firewall, 55-56 .....	4.80
<b>•HWK204</b>	Ground strap, engine to firewall & battery cable to engine, 55-56, 5 pieces .....	2.25
<b>14303B</b>	Ground strap, engine to firewall, 57 .....	11.50
<b>•HWK205</b>	Ground strap, engine to firewall & battery cable to firewall, 57, 5 pieces .....	2.10

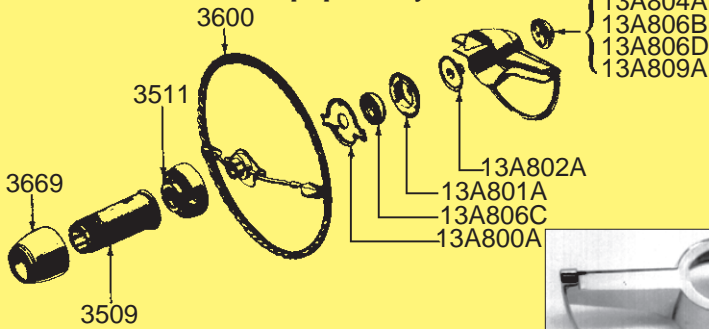
**1955 LICENSE PLATE BRACKETS**

For illustration purposes only

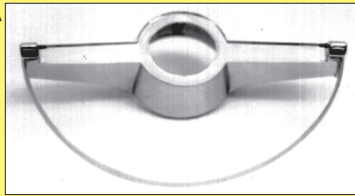


1955 HORN RING ASSEMBLY

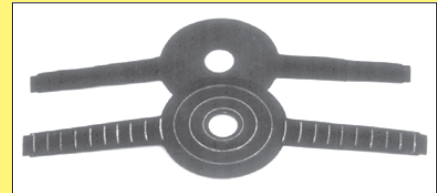
For illustration purposes only



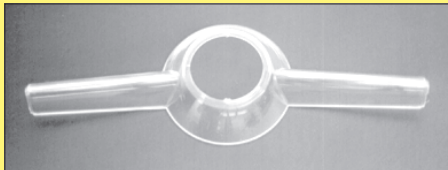
Assembled Horn Ring



13A805 - Horn Ring



13A803A - Ribbed Trim Plate



13A805A - Clear Plastic Horn Ring



13A809A - Medallion



13A802A - Spacer Plate



13A800A - Attaching Plate



13A804AK - Screw & Grommet Kit



13A801A - Contact Plate



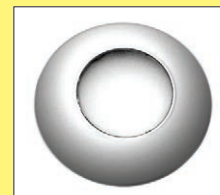
13A804A Retaining Plate



13A806C Rubber Insulator



13A806D Rubber Grommet



13A806A Medallion Retainer



13A806B Medallion Retainer

<b>13A799</b> Kit, horn ring attaching, 55: All of the necessary parts to complete your horn ring, does not include 13A805 chrome body. Kit consists of 13A800A, 13A801A, 13A802A, 13A803A, 13A804A, 13A804AK, 13A805A, 13A806A or BR, 13A806C, 13A806D & 13A809A	<b>13A804A</b> Medallion retaining plate, lower, horn ring, 55..... 16.99
<b>13A799MS</b> Manual steering ..... 215.00	<b>13A804AK</b> Screw & grommet kit, 55 horn ring..... 11.30
<b>13A799PS</b> Power steering..... 215.00	<b>13A805</b> Horn ring, chrome body only ..... 499.00
<b>13A800A</b> Attaching plate, horn ring, 55 ..... 22.65	<b>13A805A</b> Clear plastic horn ring cover, 55 ..... 22.50
<b>13A801A</b> Contact plate, horn ring, 55..... 22.65	<b>13A805D</b> Retaining clip for 13A805A ..... 27.30
<b>13A802A</b> Spacer plate, chrome sleeve & gasket, horn ring, 55 . 22.68	<b>13A806A</b> Medallion retainer, horn ring, upper, manual steering, 55 . 22.95
<b>13A803A</b> Ribbed trim plate with gasket, horn ring, 55 ..... 36.00	<b>13A806B</b> Medallion retainer, horn ring, upper, power steering, 55 22.95
	<b>13A806C</b> Rubber insulator, horn ring, 55..... 9.00
	<b>13A806D</b> Rubber grommet for medallion, horn ring, 55 ..... 3.50
	<b>13A809A</b> Medallion, horn ring center, plastic, 55 ..... 26.99

## 1956 -1957 HORN RING COMPONENTS



**13A800B**  
Attaching Plate



**13A801B**  
Contact Plate



**13A804BK**  
Screw & Grommet Kit



**13A810B**  
Medallion Plate



**13A810C**  
Medallion Plate



**13A807**  
Spring



**13A806E**  
Rubber Insulator

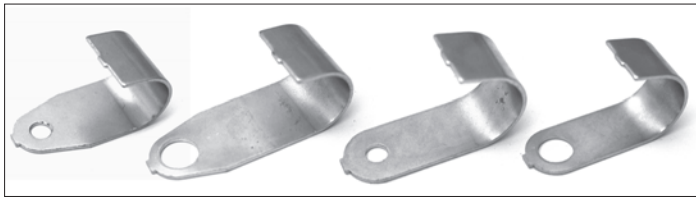


**13A809B**  
1956 Medallion



**13A809C**  
1957 Medallion

<b>13A800B</b>	Attaching plate, horn ring, 56-57 .....	18.30	<b>13A809B</b>	Medallion, horn ring center, plastic, 56 .....	26.99
<b>13A801B</b>	Contact plate, horn ring, 56-57 .....	18.30	<b>13A809C</b>	Medallion, horn ring center, plastic, 57 .....	26.99
<b>13A804BK</b>	Screw & grommet kit, horn ring, 56-57 .....	11.30	<b>13A810B</b>	Medallion background plate, horn ring, chrome, 56.18.00	
<b>13A806E</b>	Rubber insulator, horn ring, 56-57 .....	7.10	<b>13A810C</b>	Medallion background plate, horn ring, black, 57 ....	18.00
<b>13A807</b>	Spring, horn ring, 56-57 .....	3.75	<b>3672</b>	Insulator, horn ring, 56-57 .....	1.10



**14304B 14304C 14304D 14304E**  
**Battery Cable Brackets**

<b>14304B</b>	Bracket, battery cable grommet, small hole, 55-56 .....	5.50
<b>14304C</b>	Bracket, battery cable grommet, large hole, 55-56 .....	5.50
<b>14304D</b>	Bracket, battery cable grommet, small hole, 57 .....	5.50
<b>14304E</b>	Bracket, battery cable grommet, large hole, 57 .....	5.50
<b>14305</b>	Wiring assembly, generator to voltage regulator, 57 .....	32.98
<b>14308</b>	Wire assembly, horn ring to engine loom .....	25.30
<b>14309</b>	Wire assembly, heater switch to heater motor, molded ends .....	22.25
<b>14322A</b>	Wire assembly, oil sending unit to wire loom, 55 .....	11.75
<b>14322B</b>	Wire assembly, oil sending unit to wire loom, 56-57 .....	7.94
<b>14382</b>	Wire loom, overdrive .....	38.62
<b>14388A</b>	Wire, heater switch, with fuse holder, 55 .....	16.95
<b>14388B</b>	Wire, heater switch, with fuse holder, 56-57 .....	16.95
<b>14401AA</b>	Wire assembly, instrument panel main loom, 55, 6 volt .....	450.95
<b>14401A</b>	Wire assembly, instrument panel, main loom, 56, 12 volt .....	450.00
<b>14401B</b>	Wire assembly, instrument panel, main loom, 57 .....	575.00
<b>14401P55</b>	Wire loom, from dash to engine compartment, 55-56, 12 volt .....	134.95
<b>14401P56</b>	Wire loom, firewall to engine, 56 .....	134.95
<b>14401BRP57</b>	Dash to engine compartment, 57 .....	169.95
<b>14401RP57</b>	Wire loom, from dash to sending units, 57 .....	89.95
<b>14405A</b>	Wire loom, rear tail light, 55, without backup lights .....	97.78
<b>14405B</b>	Wire loom, rear tail light, 55-56 with backup lights .....	129.95
<b>14405C</b>	Wire loom, rear tail light, 57 .....	147.95
<b>14415B</b>	Wire, license light to loom, 56 .....	11.40
<b>14431A</b>	Cable, starter to solenoid, 55 .....	30.95
<b>14431B</b>	Cable, starter to solenoid, 56-57, replacement type .....	32.05

<b>14431C</b>	Cable, starter to solenoid, 56-57, exact reproduction .....	28.95
<b>14445A</b>	Wiring assembly, between headlights, voltage regulator and horns, 55-56 .....	65.66
<b>14445B</b>	Wire loom, headlight, early 57 with screws to horn .....	24.96
<b>14445C</b>	Wire loom, headlight, late 57 with clips on horn .....	25.50
<b>14476A</b>	Wire loom, neutral safety switch, 55, without backup lights .....	25.34
<b>14476B</b>	Wire loom, neutral safety switch, 56-57, with backup lights .....	35.10
<b>14495</b>	Wire, coil to resistor .....	6.00
<b>14495E</b>	Wire, coil to resistor, 57, dual 4 barrel .....	3.50
<b>14512A</b>	Relay, power seat, 55 .....	39.75
<b>14512B</b>	Relay, power seat, 56-57 .....	39.75
<b>14523</b>	Plate, power window switch, RH, single type .....	7.80
<b>14524</b>	Plate, power window switch, LH, chrome, double type .....	21.50
<b>14526AK</b>	Fuse kit, all fuses for your car, with instructions, 55 .....	8.95
<b>14526BK</b>	Fuse kit, all fuses for your car, with instructions, 56-57 .....	6.95
<b>14526A</b>	Wire, radio power supply, 55 .....	7.95
<b>14526B</b>	Wire, radio power supply, 56-57 .....	7.95
<b>14526M</b>	Mallory circuit guard, surge protector, mounts to electronic distributor .....	81.50



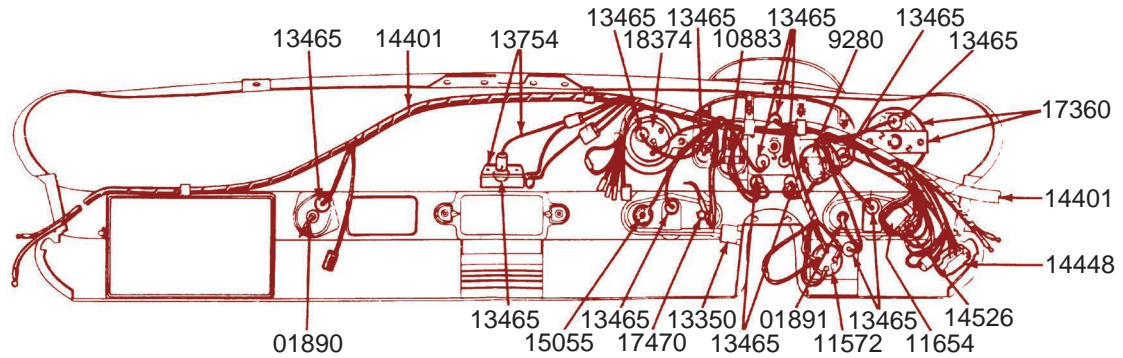
**14528A**



**14528B**

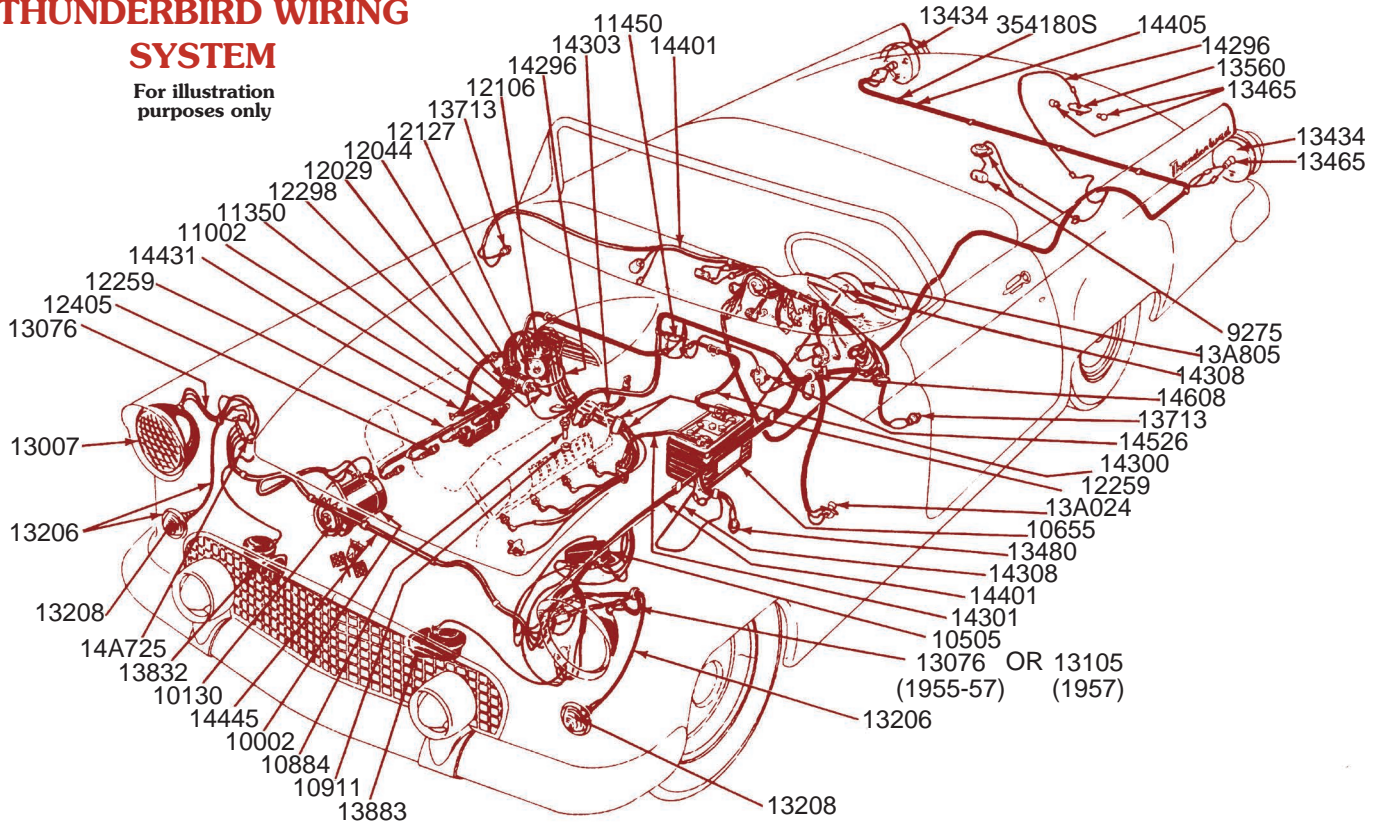
### Power Window Switch Housings

<b>14528A</b>	Housing, window regulator switch, single type, chrome .....	24.95
<b>14528B</b>	Housing, window regulator switch, double type, chrome .....	32.50
<b>14529A</b>	Switch, window regulator with female type terminals .....	44.95
<b>14529B</b>	Switch, window regulator, with male type terminals .....	44.95



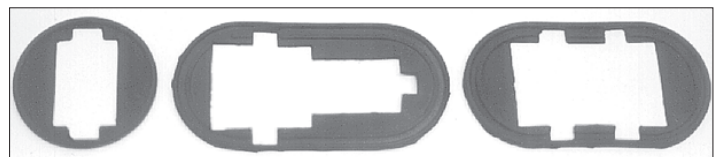
### THUNDERBIRD WIRING SYSTEM

For illustration purposes only



**14547B**

- 14547A** Motor, power seat, 6 volt, new, 55 ..... 249.95
- 14547B** Motor, power seat, 12 volt, new, 56-57 ..... 249.95
- 14547C** Motor, Dial-O-Matic power seat, new, 57 ..... 194.95
- HWK97** Power seat gear drive clevis pins & clips, 8 pieces, 2 motors ..... 4.25
- HWK161** Power seat drive brackets to floor, 8 pieces ..... 3.35
- 14550** Clip, tachometer cable & wiring, rubber coated ..... 2.20
- 14553A** Motor, power window, 6 volt, 55 ..... 249.95
- 14553B** Motor, power window, 12 volt, 56-57 ..... 249.95
- 14553W** Window motor wire extensions, set of 4 ..... 7.95



**14554**

**14561**

**14616**

**Power Window / Seat Switch Gaskets**

- 14554** Gasket, power window switch, RH ..... 3.30
- 14561** Gasket, power seat switch ..... 4.20
- 14570** Clip, power seat & window switch retainer ..... 2.00
- 14590** Ground wire, under dash, 55-56 ..... 13.35
- 14608** Retainer, cowl wiring grommet, attaches to firewall ..... 14.95
- 354387S** Grommet, wiring loom at firewall ..... 2.95
- 14616** Gasket, power window switch, LH ..... 4.00
- 14628A** Wire, red, 40 amp to 30 amp circuit breakers, 55 ..... 4.55
- 14628B** Wire, circuit breaker on firewall to circuit breaker under dash, 55 ..... 14.55
- 14630A** Wire loom, power window in door, RH, 55 ..... 78.50

- 14630B Wire loom, power window in door, RH, 56 .....112.50
- 14630C Wire loom, power window in door, RH, 57 .....113.95
- 14631A Wire loom, power seat/window combo in door, LH, 55 ..79.95
- 14631B Wire loom, power window in door, LH, 56 .....51.95
- 14631C Wire loom, power window in door, LH, 57 .....51.95
- 14631D Wire loom, power seat/window combo in door, LH, 56 ..69.95
- 14631E Wire loom, power seat/window combo in door, LH, 57 ..69.95
- HWK172 Power window wiring protector to door, 2 pieces, 1 side...0.45
- 14643A Wire looms, power seat, 3 loom set, 55 .....102.95
- 14643B Wire looms, power seat, 3 loom set, 56-57 .....148.00
- 14643C Wire loom, Dial-O-Matic seat, 57 .....224.00



14651 - Grommet



14685 - Switch Bezel

- 14651 Grommet, inner apron wiring hole.....3.95
- 14679A Wire loom, power window relay, 56 .....26.95
- 14679B Wire loom, power window relay, 57 .....41.08
- 14679C Wire loom, power window relay, 55 .....17.52
- 14685 Bezel, power seat switch, with correct lettering .....32.50
- 14682A Starter solenoid to circuit breaker wire, yellow, 55 .....8.68
- 14682B Starter solenoid to circuit breaker wire, yellow, 56-57 ...10.58
- 14689A Wire loom, power seat in door, 55 .....38.95
- 14689B Wire loom, power seat in door, 56 .....48.95
- 14689C Wire loom, power seat in door, 57 .....48.95
- 14A701 Switch, power seat .....41.95



14A725A - Junction Block

- 14A725A Junction block, wiring, LH fender, double, 55-57 .....15.95
- 14A725B Junction block, wiring, RH fender, single, 55-56.....19.00
- 14A725C Junction block, wiring, turn signal, double, 55-56 .....19.00
- HWK214A Wiring junction blocks to inner fenders, 55-56  
4 pieces, 2 sides.....1.50
- HWK214B Wiring junction block to inner fender, 57, 2 pieces .....0.75
- 14774 Wire loom, Dial-O-Matic, relay to dash, 57 .....67.40



15000A - Clock



15000C - Clock

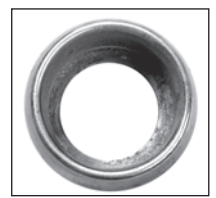
- 15000AQ Clock, rebuilt with Quartz movement, 6 volt, 55 .....265.95
- 15000BQ Clock rebuilt with Quartz movement, 12 volt, 56 .....265.95
- 15000CQ Clock rebuilt with Quartz movement, 12 volt, 57 .....265.95
- NOTE•• Clocks are rebuilt on an individual basis. You **must** send us your clock and we will quartz it. Does not include replacement of broken stems, hands or faces.
- 17362 Clock face, 55-56, with recessed letters .....20.50
- 18374 Clock face, 57 .....11.95
- 15001 Knob, clock, 57 .....7.95
- 15003 Gasket, clock, 57.....2.25
- 15026 Wire, clock with fuse holder .....17.95



15052-12 volt  
Lighter Assembly



15056K  
Lighter Knob



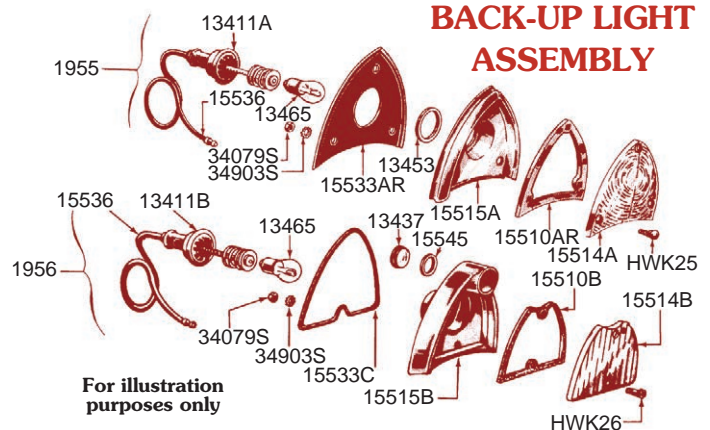
15059  
Lighter Bezel

- 15052-12V Lighter, 12 volt.....48.00
- 15052-6V Lighter, 6 volt.....60.00
- 15054A Element, lighter, 6 volt.....13.85
- 15054B Element, lighter, 12 volt.....10.50
- 15055 Socket assembly, lighter .....18.95
- 15056K Lighter knob with shaft .....22.65
- 15059 Outer chrome bezel, lighter .....21.99
- 15506 Wire assembly, back up lights to dash loom, 55 .....13.95
- 15510A Gasket, back up light lens, 55 .....1.60
- 15510B Gasket, back up light lens, 56 .....1.60
- 15514A Lens, back up light, 55 .....10.50
- 15514B Lens, back up light, 56 .....10.50
- 15514C Plate, block off, 55, chrome.....24.95
- HWK25 Back-up light lenses to bodies, 55, 6 pieces, 2 sides.....5.95
- HWK26 Back-up light lenses to bodies, 56, 4 pieces, 2 sides.....4.95
- HWK27 Back-up light block-off plates to body, 55, 6 pieces, 2 sides...1.25
- 15515A Housing, back up light, 55 .....35.25
- 15515B Housing, back up light, 56 .....42.75
- HWK138 Back-up housings to rear quarters, 56, 12 pieces, 2 sides...1.90
- 15520 Switch, back up light, manual transmission .....20.95
- 15533A Pad, back up light body, 55, with back up lights .....2.95
- 15533B Pad, block off plate, 55, used without back up lights .....3.25
- 15533C Pad, back up light body, 56 .....2.15
- 15536 Wire pigtail, backup light, 55-56, replacement type.....4.95
- 15536A Wire pigtail, back up light, as original, 55-57 .....5.30
- 15540K Kit, back up light switch bracket and actuator, standard transmission only (except T-85), 55-57, consists of one each #15540 and #15517.....20.00
- 15540BK Back up light bracket kit, 56-57, T-85 transmission .....20.20
- 15A801 Light assembly, shifter.....32.75
- 15805 Lens, transmission selector, plastic .....15.75



15839 - Switch Bracket

- 15839 Bracket, neutral safety switch to shifter.....21.75
- 15840 Shield, shifter lens backing plate.....21.75





## 1955 WIRING PARTS LIST

<b>12259AK</b>	Kit, spark plug wires, with attaching brackets and grommets. Includes: 1-12259C, 1-12113K.....	66.95	<b>14445A</b>	Wiring assembly, between headlights, voltage regulator and horns.....	65.66
<b>HWK233</b>	Spark plug wire brackets to engine, 8 pieces.....	2.50	<b>14476A</b>	Wire loom, neutral safety switch.....	25.34
<b>12298</b>	Coil wire.....	22.50	<b>14495</b>	Wire, coil to resistor.....	6.00
<b>13076A</b>	Wiring assembly, headlight lead, 55-56.....	21.95	<b>14526A</b>	Wire, radio power supply, 55.....	7.95
<b>13341</b>	Switch, turn signal, replacement switch with bushing.....	105.95	<b>14590</b>	Ground wire, under dash, 55-56.....	13.35
<b>13411A</b>	Socket, back up light bulb, 55.....	10.95	<b>14628A</b>	Wire, 40 amp to 30 amp to circuit breakers, 55.....	4.55
<b>13548</b>	Wire, 57 license light and 55-57 dash lights, without socket.....	3.95	<b>14628B</b>	Wire, circuit breaker on firewall to circuit breaker under dash, 55.....	14.55
<b>14296A</b>	Wire, license light feed, 55.....	7.95	<b>14630A</b>	Wire loom, power window in door, RH, 55.....	78.50
<b>14302</b>	Wire, coil to distributor.....	4.30	<b>14631A</b>	Wire loom, power seat/power window combo in door, LH, 55.....	79.95
<b>14303A</b>	Ground strap, engine to firewall, 55-56.....	4.80	<b>14643A</b>	Wire looms, power seat, 3 loom set, 55.....	102.95
<b>14308</b>	Wire assembly, horn ring to engine loom.....	25.30	<b>14679C</b>	Wire loom, window relay to motor, 55.....	17.52
<b>14309</b>	Wire assembly, heater switch to heater motor, molded ends.....	22.25	<b>14689A</b>	Wire loom, power seat in door, 55.....	38.95
<b>14322</b>	Wire assembly, oil sending unit to wire loom.....	5.50	<b>15506</b>	Wire assembly, back up lights to dash loom, 55.....	13.95
<b>14382</b>	Wire loom, overdrive.....	38.62	<b>15536</b>	Wire pigtail, backup light, 55/56.....	4.95
<b>14388A</b>	Wire, heater switch, with fuse holder, 55.....	16.95	<b>15536A</b>	Wire pigtail, back up light, as original, without socket, 55-56.....	5.30
<b>14401AA</b>	Wire assembly, instrument panel, main loom, 55, 6 volt.....	450.95	<b>18541</b>	Wire and socket, heater light.....	17.74
<b>14405A</b>	Wire loom, rear tail light, 55.....	97.78	<b>20768</b>	Wiring guard, door to pillar, RH.....	34.95
<b>14431A</b>	Cable, starter to solenoid, 55.....	30.95	<b>20769</b>	Wiring guard, door to pillar, LH.....	34.95

## 1956 WIRING PARTS LIST

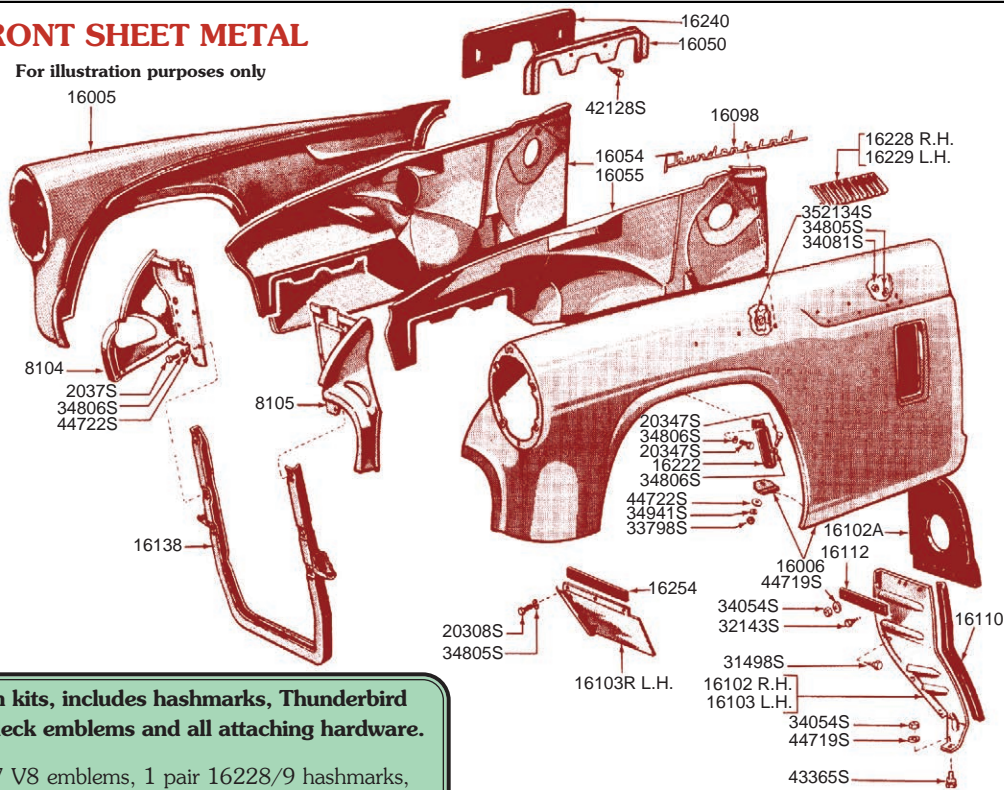
<b>12259AK</b>	Kit, spark plug wires, with attaching brackets and grommets. Includes: 1-12259C, 1-12113K.....	66.95	<b>14445AA</b>	Wiring assembly, between headlights, voltage regulator and horns.....	65.66
<b>HWK233</b>	Spark plug wire brackets to engine, 8 pieces.....	2.50	<b>14476B</b>	Wire loom, neutral safety switch.....	35.10
<b>12298</b>	Coil wire.....	22.50	<b>14495</b>	Wire, coil to resistor.....	6.00
<b>13076A</b>	Wiring assembly, headlight lead, 55-56.....	21.95	<b>14526B</b>	Wire, radio power supply, 56-57.....	7.95
<b>13341</b>	Switch, turn signal, replacement switch with bushing.....	105.95	<b>14590</b>	Ground wire, under dash, 55-56.....	13.35
<b>13411B</b>	Socket, back up light bulb, 56.....	13.95	<b>14630B</b>	Wire loom, power window in door, RH, 56.....	112.50
<b>13548</b>	Wire, 57 license light and 55-57 dash lights, without socket.....	3.95	<b>14631B</b>	Wire loom, power window in door, LH, 56.....	51.95
<b>14296B</b>	Wire, license light feed, 56.....	15.80	<b>14631D</b>	Wire loom, power seat/power window combo in door, LH, 56.....	69.95
<b>14302</b>	Wire, coil to distributor.....	4.30	<b>14643B</b>	Wire looms, power seat, 3 loom set, 56-57.....	148.00
<b>14303A</b>	Ground strap, engine to firewall, 55-56.....	4.80	<b>14679A</b>	Wire loom, power window relay, 56.....	26.95
<b>14308</b>	Wire assembly, horn ring to engine loom.....	25.30	<b>14689B</b>	Wire loom, power seat in door, 56.....	48.95
<b>14309</b>	Wire assembly, heater switch to heater motor, molded ends.....	22.25	<b>14A725A</b>	Junction block, wiring, LH fender, double, 55-57.....	15.95
<b>14322B</b>	Wire assembly, oil sending unit to wire loom.....	7.94	<b>14A725B</b>	Junction block, wiring, RH fender, single, 55-56.....	19.00
<b>14382</b>	Wire loom, overdrive.....	38.62	<b>14A725C</b>	Junction block, wiring, turn signal, double, 55-56.....	19.00
<b>14388B</b>	Wire, heater switch, with fuse holder, 56-57.....	16.95	<b>15026</b>	Wire, clock with fuse holder.....	17.95
<b>14401A</b>	Wire assembly, instrument panel, main loom, 55-56, 12 volt.....	450.00	<b>15536</b>	Wire pigtail, backup light, 55-56.....	4.95
<b>14401P56</b>	Repair harness, firewall to engine compartment, 56.....	134.95	<b>15536A</b>	Wire pigtail, back up light, as original, without socket, 55-56.....	5.30
<b>14405B</b>	Wire loom, rear tail light, 56.....	129.95	<b>18541</b>	Wire and socket, heater light.....	17.74
<b>14415B</b>	Wire, license light to loom, 56.....	11.40	<b>20768</b>	Wiring guard, door to pillar, RH.....	34.95
<b>14431B</b>	Cable, starter to solenoid, 56-57, replacement type.....	32.05	<b>20769</b>	Wiring guard, door to pillar, LH.....	34.95
<b>14431C</b>	Cable, starter to solenoid, 56-57, exact reproduction.....	28.95			

## 1957 WIRING PARTS LIST

<b>12259AK</b>	Kit, spark plug wires, with attaching brackets and grommets. Includes: 1-12259C, 1-12113K.....	66.95	<b>14431B</b>	Cable, starter to solenoid, 56-57, replacement type.....	32.05
<b>HWK233</b>	Spark plug wire brackets to engine, 8 pieces.....	2.50	<b>14431C</b>	Cable, starter to solenoid, 56-57, exact reproduction.....	28.95
<b>12298</b>	Coil wire.....	22.50	<b>14445B</b>	Wire loom, headlight, early 57 with screws to horn.....	24.96
<b>13076B</b>	Wiring assembly, headlight leads, 57, pair.....	63.00	<b>14445C</b>	Wire loom, headlight, late 57 with clips on horn.....	25.50
<b>13341</b>	Switch, turn signal, replacement switch with bushing.....	105.95	<b>14476B</b>	Wire loom, neutral safety switch.....	35.10
<b>13411C</b>	Socket, back up light bulb, 57.....	23.46	<b>14495</b>	Wire, coil to resistor.....	6.00
<b>13411D</b>	Wire pigtail, back up light, as original, without socket, 57.....	24.95	<b>14495E</b>	Wire, coil to resistor, 57, dual 4 barrel.....	3.50
<b>13412</b>	Socket & wire assembly, 57 license light.....	19.62	<b>14526B</b>	Wire, radio power supply, 56-57.....	7.95
<b>13548</b>	Wire, 57 license light and 55-57 dash lights, without socket.....	3.95	<b>14630C</b>	Wire loom, power window in door, RH, 57.....	113.95
<b>14302</b>	Wire, coil to distributor.....	4.30	<b>14631C</b>	Wire loom, power window in door, LH, 57.....	51.95
<b>14303B</b>	Ground strap, engine to firewall, 57.....	11.50	<b>14631E</b>	Wire loom, power seat/power window combo in door, LH, 57.....	69.95
<b>14305</b>	Wiring assembly, generator to voltage regulator, 57.....	32.98	<b>14643B</b>	Wire looms, power seat, 3 loom set, 56-57.....	148.00
<b>14308</b>	Wire assembly, horn ring to engine loom.....	25.30	<b>14643C</b>	Wire loom, Dial-O-Matic seat, 57.....	224.00
<b>14309</b>	Wire assembly, heater switch to heater motor, molded ends.....	22.25	<b>14679B</b>	Wire loom, power window relay, 57.....	41.08
<b>14322B</b>	Wire assembly, oil sending unit to wire loom.....	7.94	<b>14689C</b>	Wire loom, power seat in door, 57.....	48.95
<b>14382</b>	Wire loom, overdrive.....	38.62	<b>14A725A</b>	Junction block, wiring, LH fender, double, 55-57.....	15.95
<b>14388B</b>	Wire, heater switch, with fuse holder, 56-57.....	16.95	<b>14774</b>	Wire loom, Dial-O-Matic, relay to dash, 57.....	67.40
<b>14401B</b>	Wire assembly, instrument panel, main loom, 57.....	575.00	<b>15026</b>	Wire, clock with fuse holder.....	17.95
<b>14401RP57</b>	Repair harness, firewall to engine sending units only, 57.....	89.95	<b>18541</b>	Wire and socket, heater light.....	17.74
<b>14401BRP57</b>	Repair harness, from firewall to engine compartment, 57.....	169.95	<b>20768</b>	Wiring guard, door to pillar, RH.....	34.95
<b>14405C</b>	Wire loom, rear tail light, 57.....	147.95	<b>20769</b>	Wiring guard, door to pillar, LH.....	34.95

## FRONT SHEET METAL

For illustration purposes only



### 16228-16229 - Front Fender Hashmarks

- 16228** Ornament, front fender hashmark, RH.....31.25
- 16229** Ornament, front fender hashmark, LH.....31.25
- HWK30** Hashmark (16228) to fender, 6 pieces, 1 side.....1.25



### 16237 - Front Fender Emblem

- 16237** Emblem, V8, front fender, 55.....21.00
- HWK129** V-8 emblems to fenders, 4 pieces, 2 sides.....1.15



### 16240 - Front Fender Apron Shield Seal

- 16240** Seal, front fender apron shield.....4.50
- HWK244** Weatherstrip & seal staples, 50 pieces.....3.50
- 16241A** Clip, radiator grille molding, 55-56.....1.30
- 16241B** Clip, radiator grille molding, 57.....1.75
- 16254** Weatherstrip, front fender apron to frame, rear, set of 2... 7.75
- HWK244** Weatherstrip & seal staples, 50 pieces).....3.50
- 16377A** Spring, gas door hinge, 55-56, 2 required.....4.25
- 16377B** Spring, gas door hinge, 57, 2 required.....4.25
- HWK91** Gas door to hinge, includes studs, 6 pieces).....2.65

**16000 Exterior emblem kits, includes hashmarks, Thunderbird scripts, nose and rear deck emblems and all attaching hardware.**

**16000AK** 55, 2-16237 V8 emblems, 1 pair 16228/9 hashmarks, 2-25622 scripts, 2-25662/25666 Ford crests with retainers and 2-42550 cross flags.....265.95

**16000BK** 56, 1 pair 16228/9 hashmarks, 2-25622 scripts, 2-25662/6 Ford crests with retainers, 8218/8259 front nose emblem.....255.95

**16000CK** 57, 1 pair 16228/9 hashmarks, 2-16098 scripts, 8218/8259 front nose emblem, 43500/42530 deck handle and insert.....220.40

- 16050** Retainer, apron shield.....22.50
- HWK243** Apron shields to inner fender panels, 8 pieces 2 sides.....2.95



### 16098 - Thunderbird Script

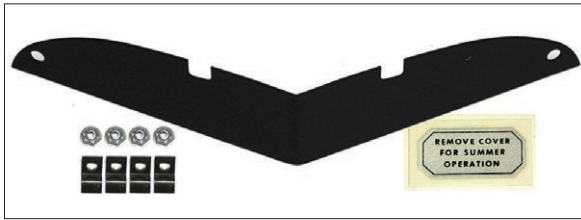
- 16098** Thunderbird script, front fender, 57.....26.50
- HWK28** Thunderbird script to fender, 57, 5 pieces, 1 side.....1.35
- HWK29** Thunderbird script to fender, original style clips, 57, 5 pieces, 1 side.....1.25
- 16102** Front fender splash shield, ribbed, 56-57, RH.....54.95
- HWK247** Door post splash shields to front fenders, aprons, upper seals & air duct studs, 30 pieces, 2 sides.....5.95
- 16102R** Front fender splash shield, flat, RH, bolts to fender next to frame.....14.25
- HWK121** Lower splash shields (16102/3R) to inner fender panels 12 pieces, 2 sides.....7.95
- 16102A** Rubber seal, front fender splash shield, 56-57.....4.65
- 16103** Front fender splash shield, ribbed, 56-57, LH.....54.95
- HWK247** Door post splash shields to front fenders, aprons, upper seals & air duct studs, 30 pieces, 2 sides.....5.95
- 16103R** Front fender splash shield, flat, LH, bolts to fender next to frame.....14.50
- 16110** Weatherstrip, front fender lower splash shield to fender, 17" long, set of 2, 56-57.....10.95
- HWK244** Weatherstrip & seal staples, 50 pieces.....3.50
- 16112** Strap, holds 16102A rubber seal to 16102 splash shield.2.95
- 16222** Brace, inner fender to outer fender.....12.50
- HWK245** Fender support braces to aprons, 12 pieces, 2 sides.....4.95

- HWK139 Gas door to hinge without studs, 3 pieces .....0.75
- HWK115A Gas door hinge to body, 55-56, 4 pieces .....1.25
- HWK115B Gas door hinge to body, 57, 3 pieces .....0.95
- 16607 Grill, hood scoop.....79.50
- HWK31A Hood scoop grill to hood, 8 pieces .....6.95
- HWK31B Hood scoop grill to hood, includes studs, 12 pieces.....9.95
- 16612A Pad set, hood anti-rattle.....6.75
- 16921 Spring, hood lock catch assembly .....5.25
- 16700B Pin, hood lock catch assembly, 2 pieces.....12.50
- HWK96 Hood lock catch to firewall, original style, 8 pieces, 2 sides .2.30
- 16707 Hood dowel support bracket, RH.....38.00
- 16716 Hood dowel support bracket, LH.....38.00
- 16740A Hood seal 55 .....5.95
- 16740B Hood seal 56/57 .....7.95
- HWK32 Hood seal to cowl drive nails, 8 pieces .....2.75



16758A - Hood Bumpers

- 16758A Bumper, hood, set of 4 with screws, 56 .....5.50
- 16758B Bumper, hood, set of 4 with screws, 57 .....6.00
- 16789A Spring, soft top swing-arm, early style, 7".....11.75
- 16789B Spring, soft top swing-arm, late style, 4 3/4" .....11.75
- HWK190 Hood hinges to nose panel brace, 12 pieces, 2 sides .....5.30
- 16796K Hood hinge pin kit, 55-57, 3 pieces, 1 hinge.....29.85
- 16812 Spring, hood hinge .....11.30



16813K - Hood Block Off Plate Kit

- 16813 Plate, hood block off.....7.80
- 16813K Kit, hood block off plate, contains 1-16813, 1-DC8 decal, 4-16873 clips & 4 nuts.....14.60
- 16873 Spacer, hood ornament stud .....1.65

- 16877 Clamp, hood release cable .....5.25
- 16907 Bracket, hood release cable to firewall .....14.10
- 16916 Cable, hood latch control, as original.....43.50
- HWK153 Hood release cable bracket to dash, 4 pieces .....2.24
- HWK154 Hood release cable to dash bracket, 2 pieces .....0.95
- HWK155 Hood release cable bracket to firewall & cable, 6 pieces..1.60
- ACC54 Hood cable release tool, to open your hood if the 16877 clamp comes undone or the 16916 cable breaks .....12.95
- 16921 Spring, Continental kit lever assembly.....5.25
- 16925 Spring, hood latch .....4.95
- 16929 Dowel, hood lock, NOS .....18.85
- HWK189 Hood to hood hinges, 12 pieces, 2 sides .....3.80
- HWK191 Hood latch pin brackets to hood, 12 pieces, 2 sides .....2.95
- HWK192 Hood latch pins to hood brackets, 2 pieces, 2 sides .....0.95
- 16930A Bracket, hood cable at dash, chrome.....18.00
- 16930B Bracket, hood cable at dash, black.....11.25



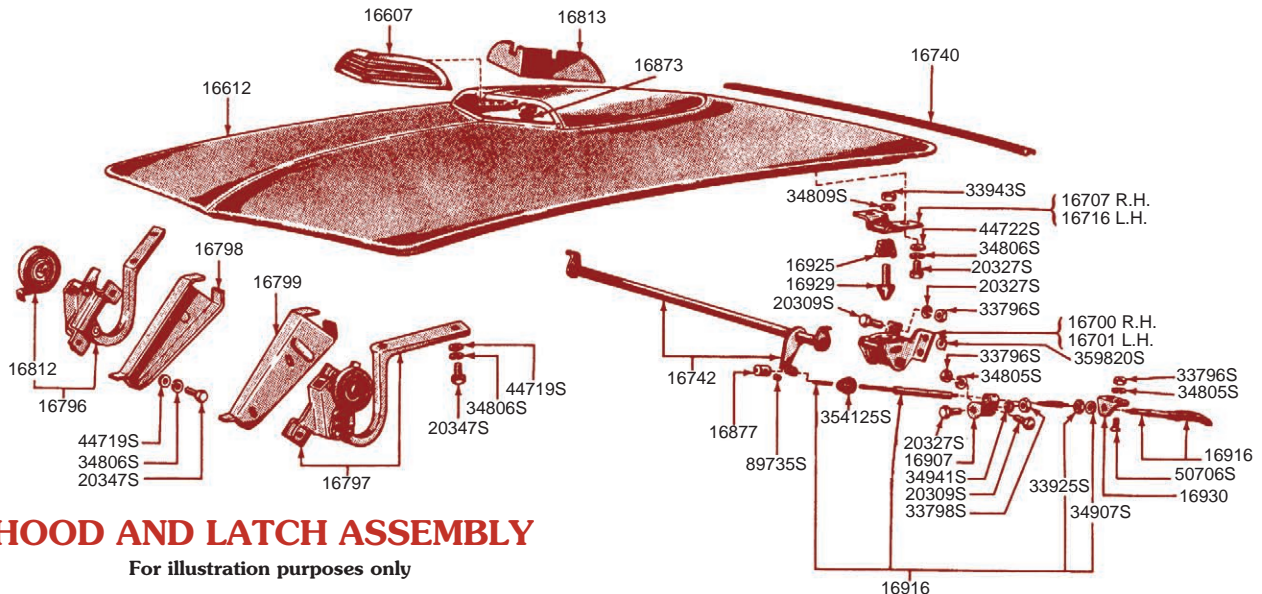
17032 - Lug Wrench

- 17032 Lug wrench, replacement type .....35.95



17083 - Jack Hold Down Strap

- 17083 Strap, jack hold down, as original.....19.00
- 17115 Jack hook, 57 .....135.00
- 17198F Front bumper stone deflector end, fiberglass, RH, 57 ....85.00
- 17199F Front bumper stone deflector end, fiberglass, LH, 57 ....85.00
- 17200C Spacer, front bumper bracket to 17198 or 17199, 57..14.65
- 17202 Stone deflector, front bumper, center, chrome, 57.....169.95
- 17204C Bracket, front bumper, RH, 57 .....53.95
- 17205C Bracket, front bumper, LH, 57.....53.95
- 17228C Bracket, rear bumper outer, RH, 57 .....53.95
- 17229C Bracket, rear bumper outer, LH, 57 .....53.95



HOOD AND LATCH ASSEMBLY

For illustration purposes only

## Instrument Related Parts

**9278** Sending unit, engine oil pressure..... 11.50



**04438 - Instrument Cluster Trim**

**04438** Dash aluminum trim, instrument cluster, 57..... 127.45  
**10804** Regulator, instrument cluster, 57..... 31.60  
**10840** 57 speedometer trim ring, chrome..... 22.00  
**10883A** Temp gauge, 55..... 87.30  
**10883B** Temp gauge, 56..... 87.30



**10884B - Temperature Sending Unit - 10884C**

**10884A** Sending unit, temperature, 6 volt, 55..... 69.95  
**10884B** Sending unit, temperature, 12 volt, 56..... 69.95  
**10884C** Sending unit, temperature, 12 volt, 57..... 19.95  
**10911A** Adapter, water temperature sender, 55-56..... 16.30  
**10911B** Adapter, water temperature sender, 57..... 16.30  
**ACC52A** Temperature adapter puller, to remove the 10911 adapter, 55-56. 19.95  
**ACC52B** Temperature adapter puller, to remove the 10911 adapter, 57 ... 19.95



**Glass Instrument Lenses**

**10936A** Lens, glass, speedometer dial, 57..... 4.50  
**10936B** Lens, glass, fuel, temp and tachometer, 57..... 3.45  
**15001** Knob, clock, 57..... 7.95  
**15003** Gasket, clock, 57..... 2.25  
**15026** Wire, clock with fuse holder..... 17.95

**17248A** Seal, speedometer trim ring, 57..... 1.20  
**17248B** Seal, small instrument trim ring, 57..... 1.00



**17260A - Speedometer Cable**

**17260A** Cable & housing, speedometer, 55-56 with angle drive..... 28.35  
**17260B** Cable & housing, speedometer, 57, automatic transmission..... 49.50  
**17260C** Cable & housing, speedometer, 56-57, standard or overdrive transmission..... 39.95  
**17260D** Cable & housing, speedometer, 55-56, without angle drive ..... 32.95  
**352285S** Speedometer cable grommet..... 1.95



**17265A - Speedometer Face**

**17265A** Dial, speedometer, faceplate, 55-56 .....48.25  
**17279** Angle drive assembly, speedometer, 55-56 .....292.00  
**17292** Snap ring, speedometer gear, 57 automatic transmission 5.25  
**17298** O-ring seal, speedometer housing to transmission ..... 2.90  
**17306** 55-56 speedometer cable spring clip .....10.00  
**17310A** Clip, speedometer to dash, 55-56 .....4.95  
**17314A** Stainless steel washers, turn signal indicators on dash, 55-56, pair.....9.75  
**17314B** Turn signal indicator bezel, 55-56.....19.95



**17319 - Speedometer Dome Cover**

**17319** Dome cover, plastic speedometer housing, 55-56 .....29.95  
**17322A** Gear, speedometer cable, 55-56 automatic or 55-57 standard transmission, 20 teeth .....21.95  
**17322C** Gear, speedometer cable, 55-56 automatic or 55-57 standard transmission, 19 teeth .....21.95  
**17322D** Gear, speedometer cable, 55-56 automatic or 55-57 standard transmission, 22 teeth .....21.95  
**17322E** Gear, speedometer cable, 55-56 automatic or 55-57 standard transmission, 21 teeth .....21.95  
**17322B** Gear, speedometer cable, 57 automatic, 19 teeth .....21.95  
**B17271K** Gear, speedometer cable, 57 automatic, 18 teeth .....19.95  
**17360AX** Tachometer, 55-56, rebuilt, rebuild your core ..... **TBD**  
**17360BX** Tachometer, 57, rebuilt, rebuild your core ..... **TBD**



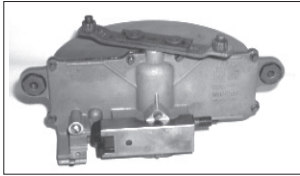
**17361 Tachometer Face**



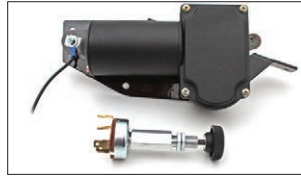
**17362 Clock Face**

**17361** Tachometer face, 55-56, with recessed letters.....20.50  
**17361A** Needle, tachometer, 55-56.....11.95  
**17362** Clock face, 55-56, with recessed letters .....20.50  
**18374** Clock face, 57 .....11.95  
**17365A** Tachometer cable & housing assembly, 55, 45¾"..... 48.95  
**17365B** Tachometer cable & housing assembly, 56-57, 38½" ..... 48.95  
**17365C** Tachometer cable bracket and clip.....12.25  
**17365M** Tachometer cable, Mallory distributor .....43.00  
**17374** Gear, tachometer cable .....40.25  
**17383** O-ring oil seal, tachometer cable.....1.00

- 17450 Clip and spring assembly, wiper arms to motor.....9.45
- 17470 Wiper control switch from dash to motor.....65.50



17508X



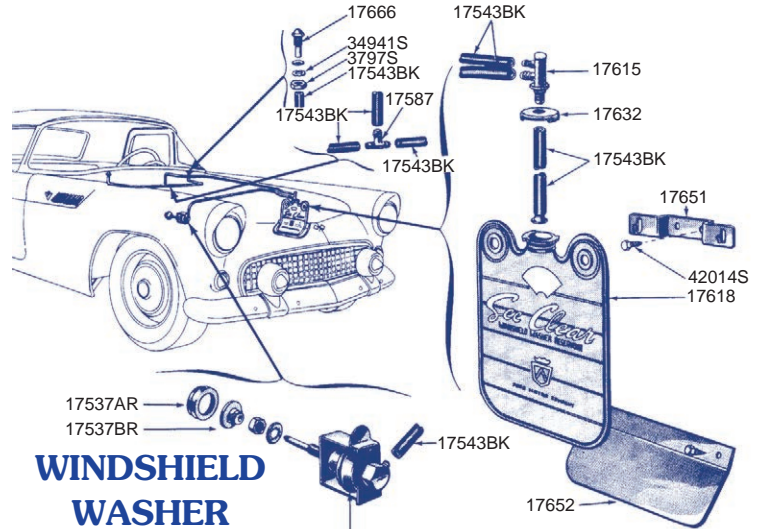
17509K

- 17508X Motor, windshield wiper, rebuilt, R&R only.....147.00
- 17509K 12 volt electric wiper motor conversion kit.....295.00
- 17509KS 2 speed switch.....35.00
- 17509W Wiper washer switch conversion kit upgrade.....39.95
- 17512 Wiper bezel nut, 55-57 .....14.70
- 17513 Knob, wiper, original style.....15.65
- 17514-5 Bezels, windshield wiper pivot, pair .....27.95
- 356094S 55-57 windshield wiper transmission nut.....5.00
- ACC55A Wiper nut socket wrench.....9.95
- 17526A Arm, windshield wiper, RH, 55 .....34.95
- 17526B Arm, windshield wiper, RH, 56-57 .....34.95
- 17527A Arm, windshield wiper, LH, 55 .....32.95
- 17527B Arm, windshield wiper, LH, 56-57 .....34.95
- 17528A Blade, windshield wiper, 55 .....34.25
- 17528B Blade, windshield wiper, 56-57 .....34.25
- 17537A Pad, windshield washer pedal .....7.75
- 17537B Pedal and clip, windshield washer .....15.75
- 17537C Clip, windshield washer pedal to shaft .....1.40
- 17541 Washer, windshield wiper arm to pivot shaft, leather .....1.20
- 17543AK Kit, vacuum hoses, wiper motor/heater control valves...11.25
- 17543BK Kit, washer hose, all the hose you need to do the entire windshield wash system.....10.00
- 17562 Grommet, wiper arm link, 2 required.....1.30
- 373195S Grommet, windshield washer hose at firewall .....1.50
- 17587 Tee, windshield washer hose .....1.95
- 17593 Wiper blade rubber refill .....10.95
- 17615 Tee, windshield washer reservoir bag to hoses .....16.82
- 17616 Filter, washer bag to tee.....5.60



17618A - Reservoir

- 17618A Reservoir, exact reproduction, 55.....22.50
- 17618B Reservoir, exact reproduction, 56.....22.50
- 17618C Reservoir, exact reproduction, 57.....22.50
- 17632 Cover, windshield washer reservoir .....4.95
- 17651 Bracket, windshield washer reservoir mounting .....12.75
- 17652 Shield, windshield washer reservoir.....6.95
- HWK207 Windshield washer bag bracket & lower bag shield to inner fender, 4 pieces .....1.80
- 17664BK Bulb only, washer pump .....8.95
- 17664B Spring, inside washer pump, stainless .....1.00
- 17664C Pump, windshield washer, 55-56.....87.25
- 17666 Nozzles, windshield washer jets, original type, pair .....29.95
- 17666A Seals, washer squirter jet, pair .....0.75
- HWK100 Windshield washer jets to cowl, 4 pieces, 2 sides .....1.25



**WINDSHIELD WASHER ASSEMBLY**  
For illustration purposes only



**WIPER ARM, BLADE AND PIVOT**

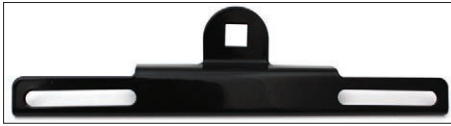


17696ACV  
Outside Mirror



17700B  
Inside Mirror & Stem

- 17696A Mirror, outside, exact reproduction, 1 hole base, 55.....42.75
- 17696ACV Mirror, convex glass, 55, RH.....46.95
- 17696B Mirror, outside, exact reproduction, 2 hole base, 56-57 ...42.95
- 17696BCV Mirror, convex glass, 56-57, RH .....44.95
- 17696D Gasket, outside mirror, paper type .....1.00
- 17696E Gasket, outside mirror, rubber type .....5.60
- HWK33 Outside mirror with stud to door, 55, 4 pieces.....0.90
- HWK34 Outside mirror to door, 56-57, 2 pieces .....0.75
- 17700A Mirror with short stem, inside, 55.....29.75
- 17700B Mirror with long stem, inside, 56/57 .....33.95
- HWK35 Inside mirror base to w/shield frame, 5 pieces .....1.30
- 17700AK Mirror, short stem and base, 55 .....46.00
- 17700BK Mirror, long stem and base, 56-57 .....46.95
- 17702 Base only, inside mirror .....14.75



17736 - Front License Plate Bracket

**1955-56 Front Bumper:**

- 17736 Bracket, license plate front, 55-56.....18.95
- 17754A Bracket, front bumper outer, RH, 55-56.....53.95
- 17755A Bracket, front bumper outer, LH, 55-56.....53.95
- 17757A Front bumper, reproduction, 55-56.....995.00
- 17758S Bumper bolt, stainless.....1.75
- 17758XS Bumper bolt, chrome.....2.50
- 359096S 55/56 Bumper bolt for bumper guard and continental kit ...2.95
- 34670S 7/16"-20 hex nut .....0.40
- 34808S 7/16" lock washer.....0.30
- 44730S 7/16" flat washer.....0.20
- 17759DK Sleeve and spacer set, bumper guards, 55-56.....8.85
- 17766A Bracket, front bumper, inner, RH, 55-56.....53.95
- 17767A Bracket, front bumper, inner, LH, 55-56.....53.95
- 17779 55/56 lower front valence, fiberglass.....249.00



17784-5 Bumper Guards

- 17984-5 Bumper guards, without inserts, chrome plated cast brass, pair .....995.00
- 17996A Bullet cone insert, front bumper guard, 55-56.....99.95
- 17807A Jacking plate, front bumper, RH, 55-56 .....39.95
- 17840A Jacking plate, front bumper, LH, 55-56 .....39.95
- HWK36 Front bumper to brackets, 55-56, 32 pieces, 2 sides.....18.95
- HWK38 Front bumper brackets to frame, 55-56  
16 pieces, 2 sides .....5.95
- HWK272 Bumper guard centers to guards, front or rear  
12 pieces, 2 sides .....2.95

**1955 Rear Bumper:**

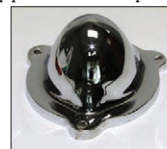
- 17787A Bracket, rear bumper, inner, RH, 55.....53.95
- 17788A Bracket, rear bumper, inner, LH, 55.....53.95
- 17795A Bracket, rear bumper, outer, RH, 55.....53.95
- 17796A Bracket, rear bumper, outer, LH, 55.....53.95
- 17906A Bumper, rear, chrome, reproduction, 55 .....995.00
- 17906AK Continental kit, 55.....1595.00
- 17918A Jacking plate, rear, RH, 55.....41.95
- 17919A Jacking plate, rear, LH, 55.....41.95
- 17984-5 Bumper guards, without inserts, cast brass, pair .....995.00
- 17984A Insert, rear bumper guard, donut type, 55 .....99.95
- HWK41 Rear bumper to brackets, 55, 22 pieces, 2 sides.....12.95
- HWK44 Rear bumper brackets to frame, 55, 16 pieces, 2 sides...8.95
- HWK272 Bumper guard centers to guards, front or rear  
12 pieces, 2 sides .....2.95



17906K - Continental Kit

**1956 Rear Bumper:**

- 17668B Bracket, rear bumper, RH, 56.....39.95
- 17669B Bracket, rear bumper, LH, 56.....39.95
- 17675B Bracket, rear bumper, LH inner, 56 .....20.95
- 17676B Bracket, rear bumper, RH inner, 56 .....20.95
- 17751 Bumper, center, upper, continental kit, 56.....545.00
- 17751A Stone deflector, rear bumper, fiberglass, 56,  
2 required .....4.75
- 17758S Bumper bolt, replacement .....1.75
- 17758XS Bumper bolt, show quality.....2.50
- 359096S 55-56 Bumper bolt for bumper guard and continental kit ...2.95
- 34670S 7/16"-20 hex nut .....0.40
- 34808S 7/16" lock washer .....0.30
- 44730S 7/16" flat washer.....0.20
- 17787B Bracket, rear bumper, inner, RH, 56 .....53.95
- 17788B Bracket, rear bumper, inner, LH, 56 .....53.95
- 17789B Bracket, rear bumper, outer, LH or RH, 56.....53.95
- 17795B Bracket, rear bumper, center, RH, 56 .....53.95
- 17796B Bracket, rear bumper, center, LH, 56.....53.95
- 17808A Stone deflector, rear bumper, fiberglass, 56,  
2 required .....5.95
- 17864 Bumper, rear, RH, outer, 56.....CALL
- 17865 Bumper, rear, LH, outer 56 .....CALL
- 17906D Bumper, lower, center, rear, 56, chromed .....1175.00
- 17906K Bumper bracket set, rear, 56, 12 pieces .....419.95
- 17906BK Continental kit, 56 .....3295.00
- 17918B Jacking plate, rear, RH or LH, 56.....41.95
- HWK42 Rear bumper to brackets, 56, 24 pieces, 2 sides.....14.95
- HWK45 Rear bumper brackets to frame, 56, 56 pieces, 2 sides.18.95
- HWK76 Upper rear bumper to lower, 56, 18 pieces.....4.95



17996A



17984A

- 17996A Bullet cone insert, front bumper guard, 55-56.....99.95
- HWK272 Bumper guard centers to guards, front or rear  
12 pieces, 2 sides .....2.95

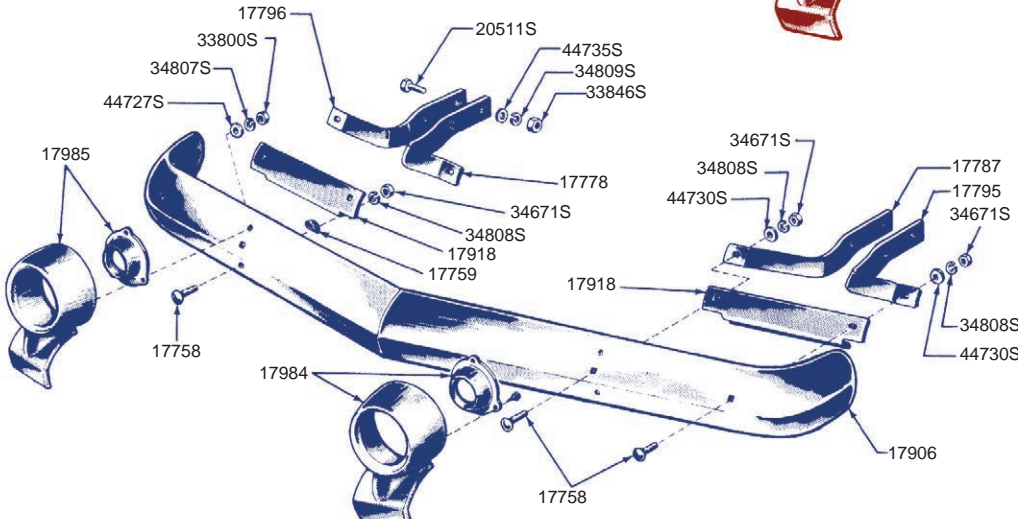
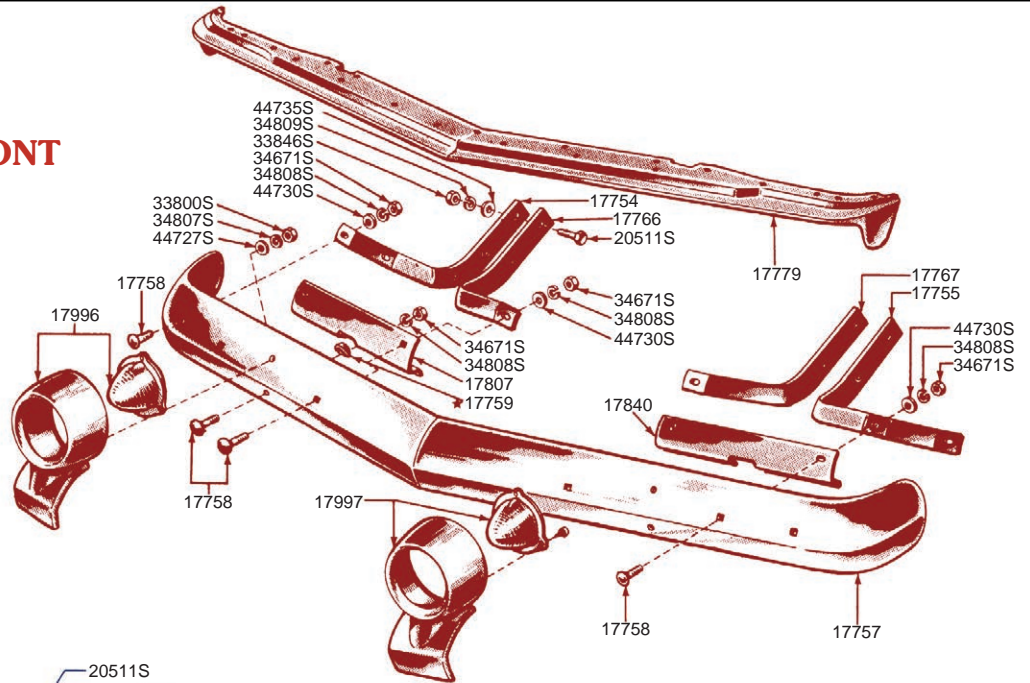


17759DK - Sleeve and Spacer Set

1955 - 56 FRONT BUMPER

BUMPER

For illustration purposes only

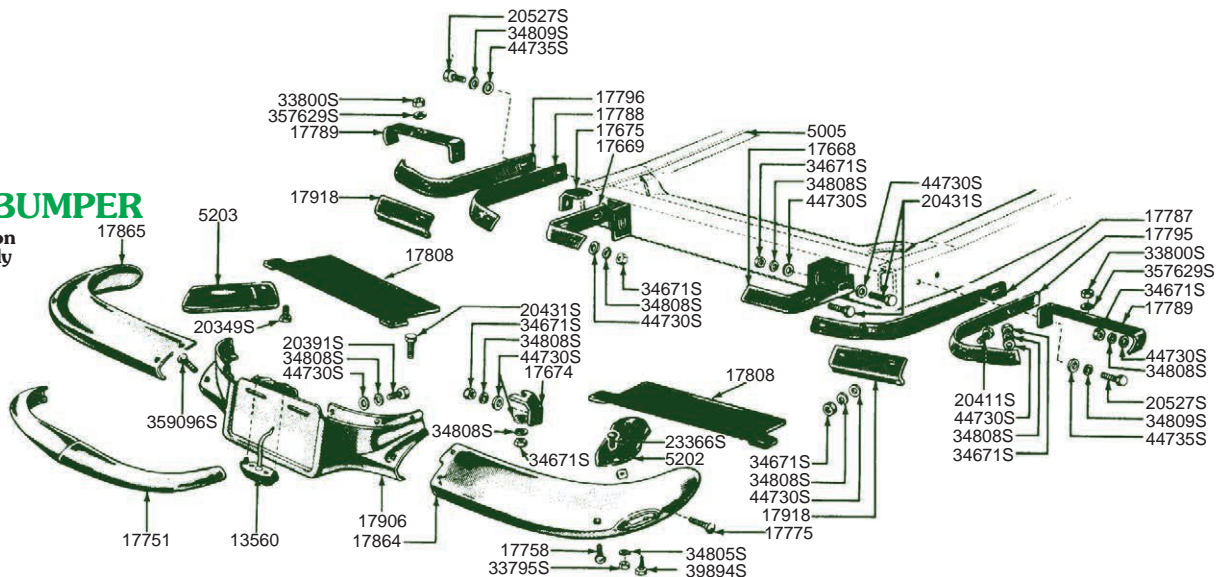


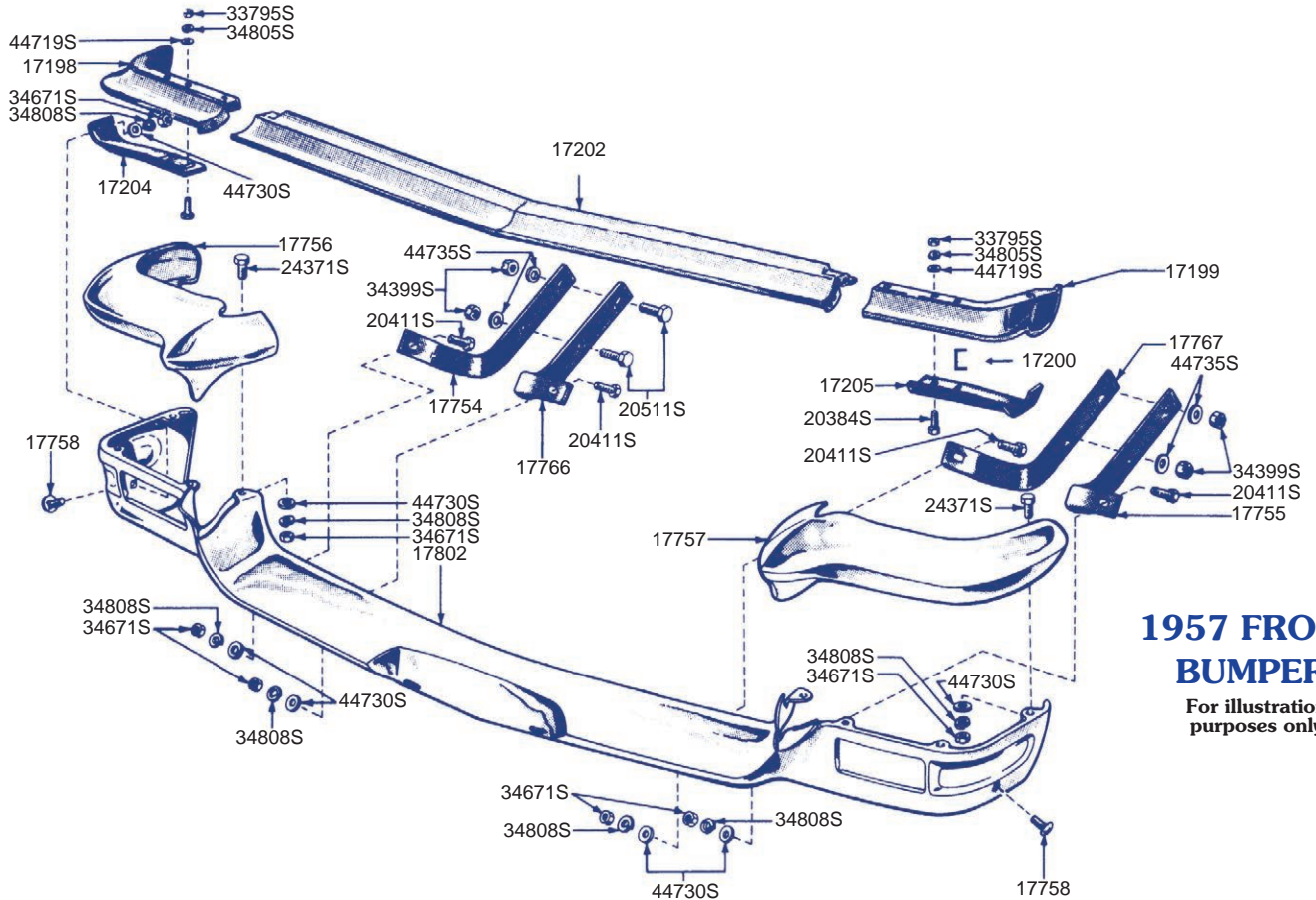
1955 REAR BUMPER

For illustration purposes only

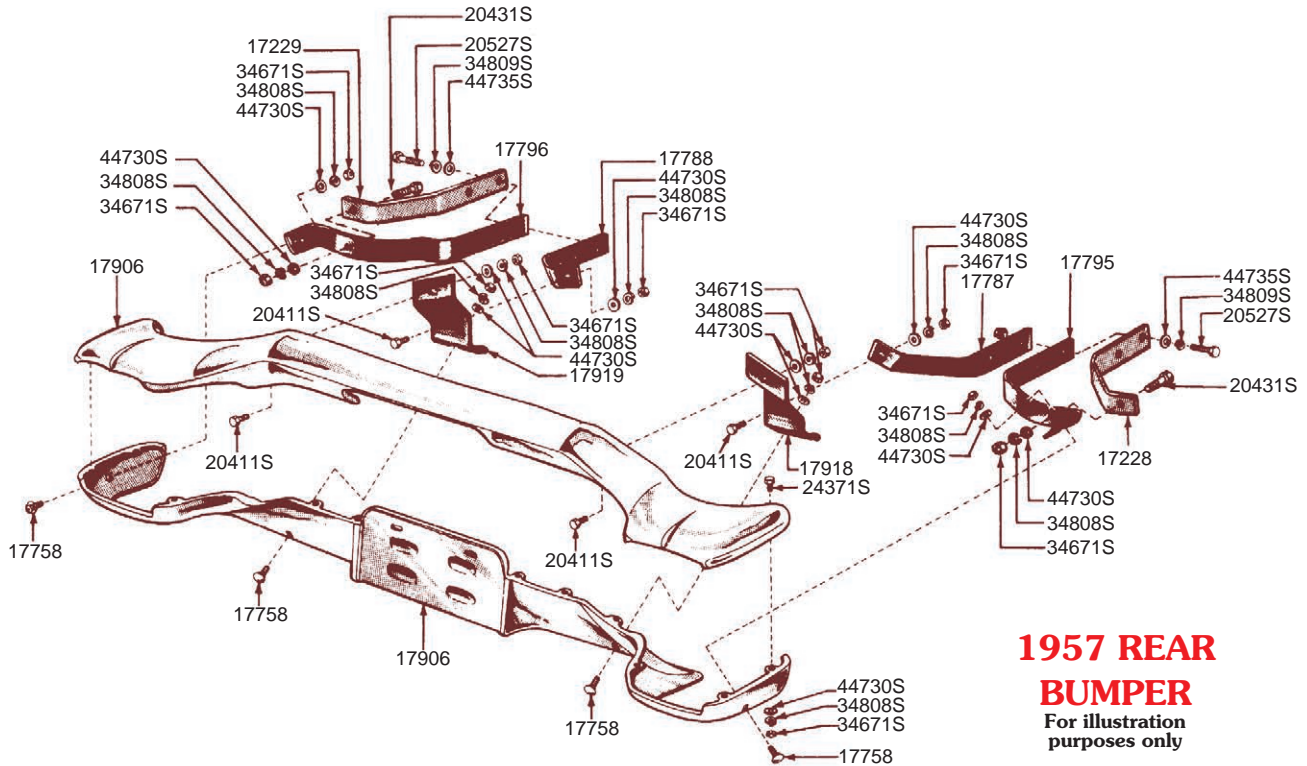
1956 REAR BUMPER

For illustration purposes only





**1957 FRONT BUMPER**  
For illustration purposes only



**1957 REAR BUMPER**  
For illustration purposes only



**1957 Front Bumper:**

- 17198F Deflector, front bumper stone end, RH, 57, fiberglass...85.00
- 17199F Deflector, front bumper stone end, LH, 57, fiberglass...85.00
- 17200C Spacer, front bumper bracket to 17198 or 17199, 57...14.65
- 17202 Deflector, front bumper stone, center, chrome, 57.....169.95
- 17204C Bracket, front bumper, RH, 57 .....53.95
- 17205C Bracket, front bumper, LH, 57.....53.95
- 17754C Bracket, front bumper outer, RH, 57.....53.95
- 17755C Bracket, front bumper outer, LH, 57.....53.95
- 17758S Bumper bolt, replacement.....1.75
- 17758XS Bumper bolt, show quality.....2.50
- 34670S 7/16"-20 hex nut .....0.40
- 34808S 7/16" lock washer .....0.30
- 44730S 7/16" flat washer.....0.20
- 17766C Bracket, front bumper, inner, RH, 57.....53.95
- 17767C Bracket, front bumper, inner, LH, 57.....53.95
- HWK37 Front bumper to brackets, 57, 8 pieces, 2 sides.....6.95
- HWK39 Front bumper brackets to frame & body, 57, 64 pieces, 2 sides.....14.95
- HWK40 Front bumper tips to bumper, 57, 32 pieces, 2 sides.....9.95



HWK47

**1957 Rear Bumper:**

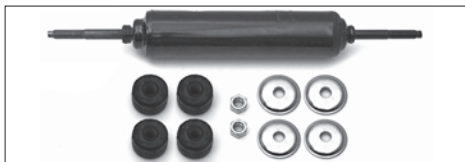
- 17228C Bracket, rear bumper outer, RH, 57.....53.95
- 17229C Bracket, rear bumper outer, LH, 57 .....53.95
- 17787C Bracket, rear bumper, inner, RH, 57.....53.95
- 17788C Bracket, rear bumper, inner, LH, 57 .....53.95
- 17795C Bracket, rear bumper, center, RH, 57 .....62.95
- 17796C Bracket, rear bumper, center, LH, 57.....62.95
- 17808B Stone deflector, rear bumper, rubber, 57 .....15.00
- 17906CK Continental kit, 57 .....2295.00
- 17918C Jacking plate, rear, RH, 57 .....41.95
- 17919C Jacking plate, rear, LH, 57 .....41.95
- HWK43 Rear bumper to brackets, 57, 16 pieces, 2 sides.....11.95
- HWK46 Rear bumper brackets to frame, 57, 36 pieces, 2 sides...14.95
- HWK47 Rear bumper halves to each other, 57, 48 pieces .....14.95
- 17758S Bumper bolt, replacement.....1.75
- 17758XS Bumper bolt, show quality.....2.50
- 34670S 7/16"-20 hex nut .....0.40
- 34808S 7/16" lock washer .....0.30
- 44730S 7/16" flat washer.....0.20



HWK39

**SHOCK ABSORBERS**

- 18072 Bracket, lower front shock mounting .....17.75



**18124 - Front Shock Absorber**

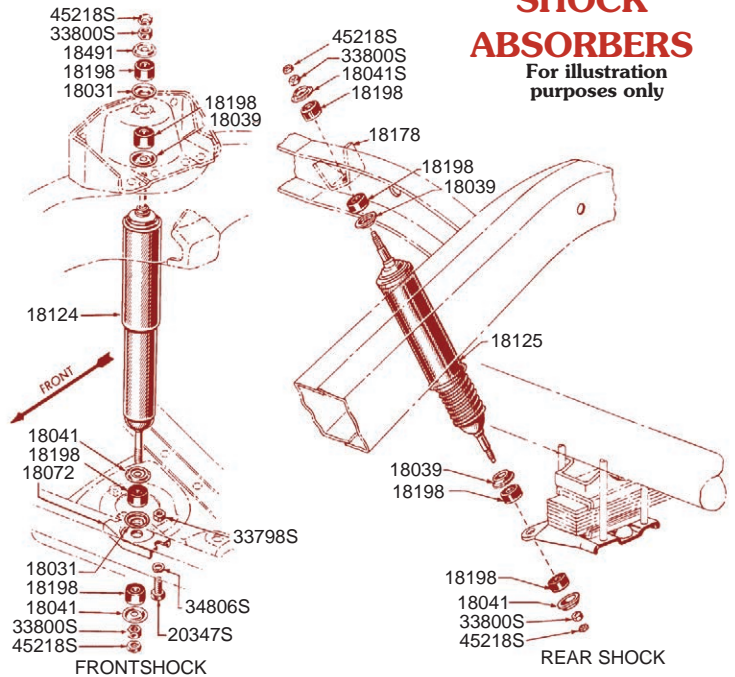
- 18124 Front shock absorber.....51.95
- 18124B Bilstein high performance front shock, valved explicitly for the Thunderbird.....139.95
- 18124G Front shock absorber, KYB gas.....49.95
- HWK254 Front shock lower mounting plates to lower A frames 8 pieces, 2 sides .....2.75
- 18125 Rear shock absorber, gas .....52.95
- 18125B Bilstein high performance rear shock, valved explicitly for the Thunderbird.....139.95
- 18125G Rear shock absorber, KYB gas.....39.95
- 18125A Springs, rear shock absorbers, pair.....6.50



**18198 - Bushing Repair Kit**

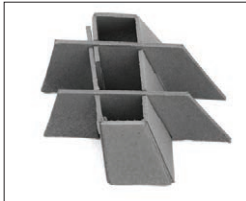
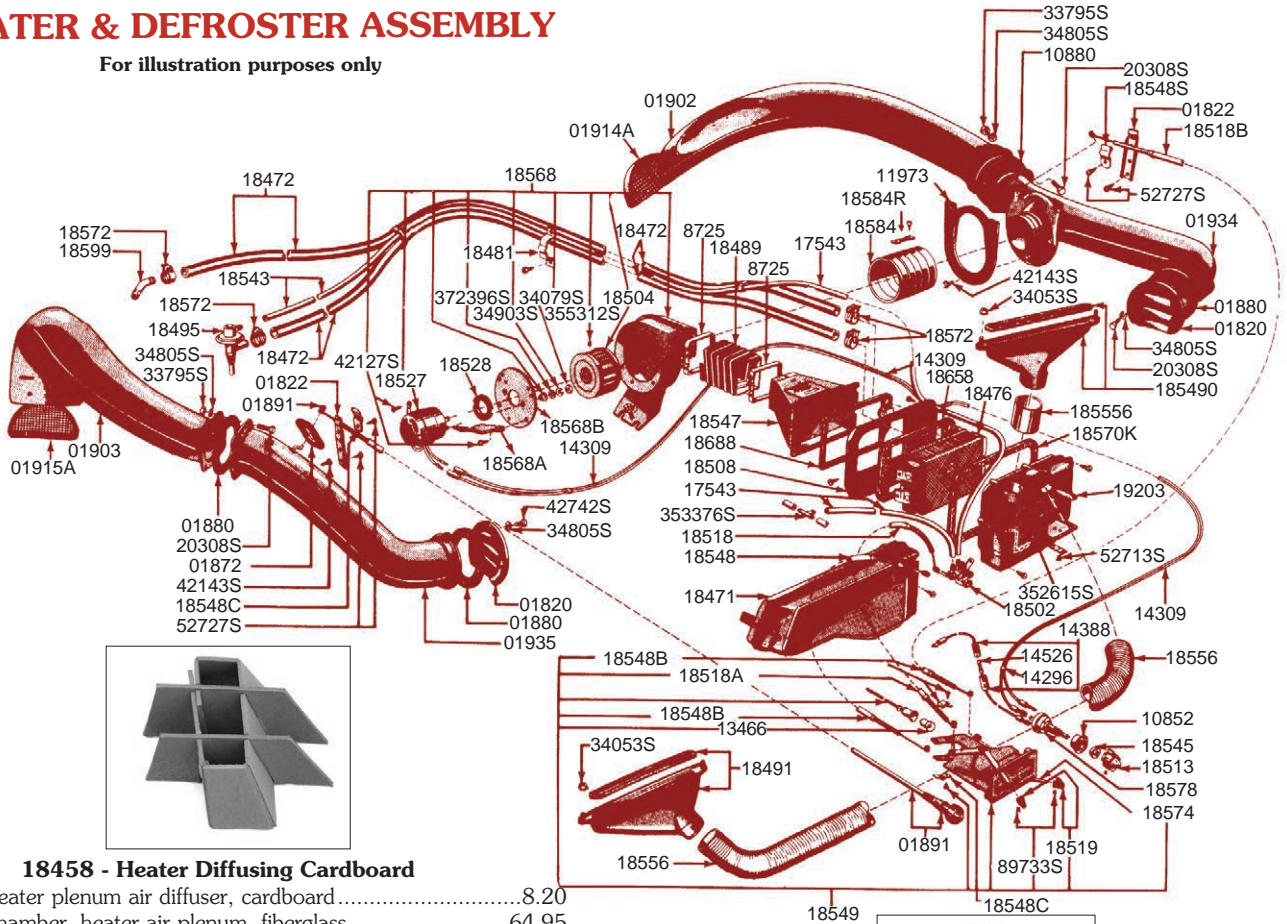
- 18198 Bushing kit, shock absorber mounting, 1 per shock.....8.75
- 18374 Clock face, 57 (for 55-56 see 17362).....11.95

**SHOCK ABSORBERS**  
For illustration purposes only



## HEATER & DEFROSTER ASSEMBLY

For illustration purposes only



**18458 - Heater Diffusing Cardboard**

- 18458** Heater plenum air diffuser, cardboard.....8.20
- 18471** Chamber, heater air plenum, fiberglass .....64.95
- 18472** Hose, 5/8" heater, black as original, 8 required, per foot...2.25



**18476 - Heater Core**

- 18476** Heater core, reproduction .....162.95
- HWK210** Heater blower assembly to inner fender, 6 pieces.....1.75
- HWK211** Heater blower round support plate to housing, 5 pieces..0.70
- HWK212** Heater core to housing & housing to firewall, 10 pieces..1.75
- 18480A** Seal, felt, back of heater door .....2.55
- 18480B** Seal, felt, defroster flapper valve.....3.90
- 18481** Bracket, heater/vacuum hose, mounts to RH inner apron6.50
- HWK213** Heater hose bracket (18481) to inner fender, 2 pieces ....0.75
- 18489** Duct, heater to blower, square.....23.25
- 8725** Clamp for 18489 duct, square .....5.00



**18504 - Squirrel Cage Fan**

- 18504** Squirrel cage fan, heater motor .....24.95
- 18513** Knob, heater blower control .....16.85
- 18518A** Cable, heater temperature control, 18" .....14.10
- 18518B** Cable, RH vent control, 39½" .....21.95
- 18519A** Knob, heater control, 55 .....11.95
- 18519B** Knob, heater control, 56-57 .....10.95
- 18521** Heater control housing.....30.00



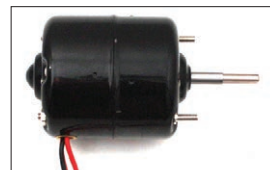
**18495**



**18495SK**

**Heater Valves**

- 18495** Heater control valve, OE vacuum type, reproduction.....84.95
- 18495SK** Heater control valve, non vacuum type, includes cable .89.95

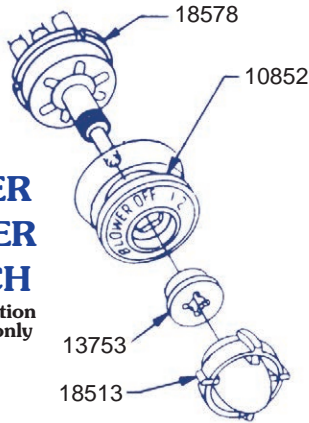


**18527B - Heater Blower Motor**

- 18527B** Motor, heater blower, new, 12 volt.....169.95
- 18528** Grommet, blower motor to housing.....4.40
- 18541** Wire and socket, heater light .....17.74
- 353626S** Grommet, vent cable at firewall RH.....3.75
- 18548B** Cable, heat/defrost control, 15½" .....14.25
- 18548C** Clip, heater control cable retaining .....1.95
- 18549C** Clip to hold heater control housing to dash.....6.95

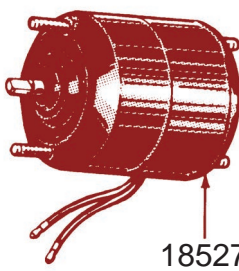
**HEATER BLOWER SWITCH**

For illustration purposes only



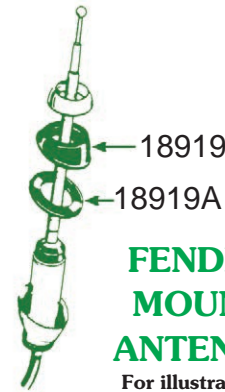
**HEATER BLOWER MOTOR**

For illustration purposes only



**FENDER MOUNT ANTENNA**

For illustration purposes only



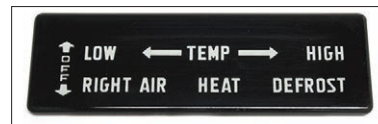
**REAR DECK ANTENNA**

For illustration purposes only



**18550K - Heater Control Housing Assembly**

- 18550** Housing, heater control face plate .....39.50
- 18550K** Heater control housing assembly, includes 18550, 18521, 18619 and 18620.....64.50
- 18556** Hose, heater to defroster duct outlets, does both sides ..35.95
- 18568A** Shield, blower motor heat .....17.99
- 18568B** Plate, heater blower motor mounting, round.....17.95

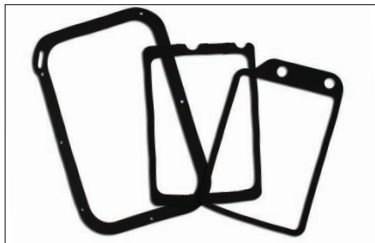


**18619 - Face Plate**



**18599 - Elbow**

- 18584R** Strap, heater blower housing to air duct .....2.25
- 18599** Elbow, water pump to heater hose .....13.95
- 18619** Heater control face .....13.65
- 18620** Heater face backing plate.....5.35
- 18658** Gasket, heater core to case .....2.50



**18570K - Heater Gasket Set**

- 18570K** Gasket set, heater, includes 1-18570, 1-18658 and 1-18688.....7.95



**18805TC**

**Radio Switch**

- 18805TC** Switch, Town and Country scan control..... 40.95
- 18805V12** Vibrator, radio, 12 volt, 56..... 69.95
- 18807** Plug and wire, speaker ..... 16.50
- HWK117A** Radio speaker grill to dash, 4 pieces ..... 0.95
- HWK117B** Radio speaker grill to dash, includes studs, 8 pieces..... 0.00
- HWK119** Radio support straps to radio & dash, 4 pieces ..... 2.25
- HWK120** Radio shafts to dash, 2 pieces..... 5.95



**18572A**



**18572BK**

**Hose Clamps**

- 18572A** Clamp, power steering return hose & power brake booster vacuum hose .....1.65
- 18572BK** Clamp set, heater & bypass hoses. Original scissor style, 6 clamps .....6.95



**18574A - Heater Control Arm**

- 18574A** Lower heater control arm, chrome .....20.99
- 18575** Upper heater control arm .....20.99
- 18578** Switch assembly, heater blower motor .....29.20
- 18584** Duct, round, heater housing to air duct.....16.95



**ACC33-SP-1 Dual Speaker**



**18808A Mono Speaker**

- 18808A** Speaker, OE type, non-stereo.....25.95
- ACC33-SP-1** Speaker, dual type, for stereo .....52.00
- 18813** Antenna assembly; includes #18919 plastic stanchion & 18919A rubber mounting pad, exact reproduction with groove .....68.95
- ACC50** Antenna nut wrench, to remove the antenna base nut ..7.95
- 18813B** Antenna, rear deck, 57.....99.95
- 18813E** Antenna, electric kit .....69.95



**18820A - Knob**



**18820B - Knob**



**18830 - Bezel**

<b>18820A</b>	Knob, radio, split shaft .....	16.75
<b>18820B</b>	Knob, radio, D shaft .....	16.75
<b>18830</b>	Bezel, radio tone, chrome .....	10.95
<b>18832</b>	Radio noise suppressor, at voltage regulator .....	24.95
<b>18869</b>	Radio volume compensator wire, 57 as original .....	36.50



**18870B**



**19203 - Knob**

<b>18870A</b>	Clip, radio noise suppressor, mounts to body at hood, 55.....	3.75
<b>18870B</b>	Clip, radio noise suppressor, mounts to body at hood, 56-57.....	3.75
<b>18912</b>	Grommet, radio antenna lead in seal, and plug for pillar post screw access hole in dog leg area of doors .....	3.25
<b>18919</b>	Stanchion, radio antenna .....	10.99
<b>18919A</b>	Pad, radio antenna stanchion mounting.....	2.85
<b>18919B</b>	Pad, rear deck antenna.....	6.50
<b>18954</b>	Band, aluminum tie for heater hoses .....	4.95
<b>19203</b>	Knob, heater box door .....	7.95



**19950BK**

**19950BK** Air conditioning installation kit; includes all the necessary parts to install air conditioning in the little Birds with 12 volt electrical systems. This kit uses the revolutionary rotary compressor, which is smaller, quieter, smoother operating and requires less horsepower than the conventional piston compressors. This kit includes a new generator mounting bracket that also serves as the compressor bracket. This is by far the BEST unit available for the Thunderbird. Don't be fooled by less expensive units, R134 only, 12 volt..... 1075.00

**19950P** Your complete Perfect Fit™ 1955-57 Thunderbird R134 A/C system comes complete with all interior components, Evaporator assembly, Condenser kit including pre-engineered condenser mounting, Pre-crimped refrigeration hoses, Sanden-style compressor, Hi-Low refrigerant pressure switch for compressor protection, Aluminum hookup tubes, Compressor mounting hardware, Installation instructions and mounting template.  
All at a discounted complete kit price. .... 1625.95

## DOORS & WINDOWS

**20000** **Repaint rubber kits**, includes all the rubber gaskets for the body of your Thunderbird. See 13,000 kits for lens gaskets and seals. Does not include windshield, back glass or top seals

<b>20000AK</b>	55 .....	199.95
<b>20000BK</b>	56 .....	224.95
<b>20000CK</b>	57 .....	210.95

<b>20125A</b>	Channel, lower door, retains weatherstrip.....	26.95
<b>20314A</b>	Pillar, door, chrome, 55, RH .....	195.95
<b>20314B</b>	Pillar, door, chrome, 56-57, RH .....	195.95
<b>20315A</b>	Pillar, door, chrome, 55, LH.....	195.95
<b>20315B</b>	Pillar, door, chrome, 56-57, LH.....	195.95
<b>354293S</b>	Wing Window set screw for 20314/5B .....	0.26
<b>•HWK170</b>	Door pillars to doors, 8 pieces, 2 sides.....	1.80
<b>20320</b>	Bracket, upper, door pillar to door, RH.....	14.95
<b>20321</b>	Bracket, upper, door pillar to door, LH.....	14.95
<b>20330</b>	Weatherstrip, door pillar .....	2.95
<b>20511S</b>	Bolt, bumper bracket to frame .....	1.10
<b>20530</b>	Weatherstrip, door, RH .....	33.00
<b>20531</b>	Weatherstrip, door, LH.....	33.00
<b>20570</b>	Weatherstrip, door at belt, RH or LH.....	3.10



**20572 - Door Weatherstrip Retainer**

<b>20572</b>	Retainer, door weatherstrip, lock side, 57, RH .....	13.75
<b>20573</b>	Retainer, door weatherstrip, lock side, 57, LH.....	13.75
<b>•HWK166</b>	Door weatherstrip spacers (20572/3) to doors, 57, 4 pieces, 2 sides.....	0.95

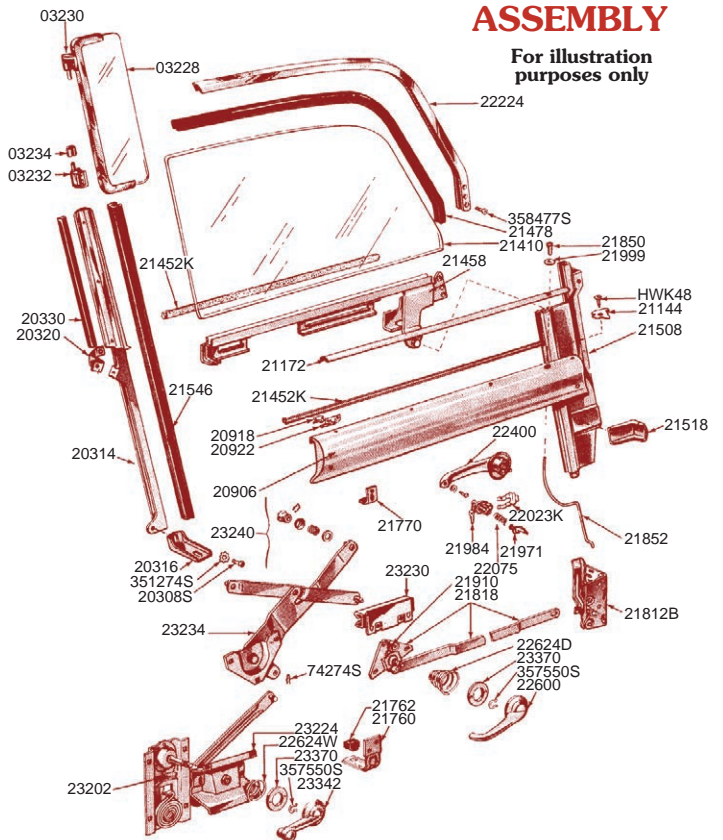


**20768 - Wire Guard**

<b>20768</b>	Wiring guard, door to pillar, RH.....	34.95
<b>20769</b>	Wiring guard, door to pillar, LH.....	34.95

## DOOR & WINDOW ASSEMBLY

For illustration purposes only

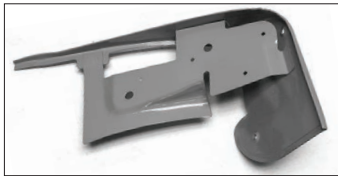


- HWK172 Power window wiring protector to door, 2 pieces, 1 side..... 0.45
- 20906 Garnish rail, metal, RH ..... 52.84
- 20907 Garnish rail, metal, LH..... 52.84
- HWK162A Door garnish rails (20906/7) to doors, 8 pieces, 2 sides ..... 2.50
- HWK162B Door garnish rails (20906/7) to doors, oversize, 8 pieces, 2 sides ..... 2.95



**20920/1 - Door Trim Molding**

- 20920 Molding, "L" door trim, RH..... 16.95
- 20921 Molding, "L" door trim, LH ..... 16.95
- 20922 Bracket for door garnish rails, 4 required..... 18.00
- 21032 Retainer, lower, door trim panel, RH or LH, 57 ..... 15.50
- HWK173 Door panel channels (21032/3) to doors, 8 pieces, 2 sides.....1.50
- 21090S Bolt, front motor mount ..... 1.95
- 21122 Cover plate, door access hole, steel..... 19.50
- HWK167 Door access plates to doors, 24 pieces, 2 sides ..... 5.95



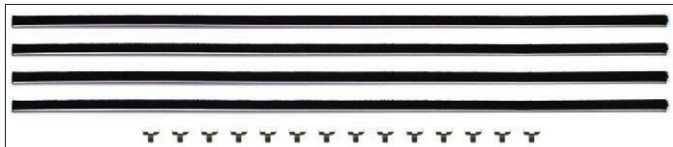
**21134 - Wedge Spacer**

- 21134 Wedge spacer, door trim molding, RH ..... 44.95
- 21135 Wedge spacer, door trim molding, LH ..... 44.95
- HWK165 Armrest wedge spacers (21134/5) to doors, 18 pieces, 2 sides..... 4.95
- 21144 Plate, door garnish finish, RH..... 18.95
- 21145 Plate, door garnish finish, LH ..... 18.95
- HWK48A Door garnish plates (21144/5) to door, 4 pieces, 2 sides..... 1.25
- HWK48B Same as above, oversize, 4 pieces, 2 sides ..... 1.95



**21166 - Aluminum Door Trim Panel**

- 21166 Panel, aluminum door trim finish, RH ..... 127.45
- 21167 Panel, aluminum door trim finish, LH..... 127.45
- 21167DC Panel, aluminum door trim finish, LH, die stamped for power seat switch..... 133.90
- 21172 Molding, door garnish finish, top..... 32.95
- HWK163 Door garnish moldings (21172) to garnish rails, 18 pieces, 2 sides..... 8.80
- HWK164 Arm rest bodies to door panels, 16 pieces, 2 sides ..... 3.95
- 21334A Retainer washer, wedge spacer to door panel..... 2.35
- 21410C Glass, door window, clear, with FoMoCo script ..... 42.95
- 21410T Glass, door window, tinted, with FoMoCo script..... 49.95
- 21410A Retainer strip, door glass, between glass and channel..... 3.50

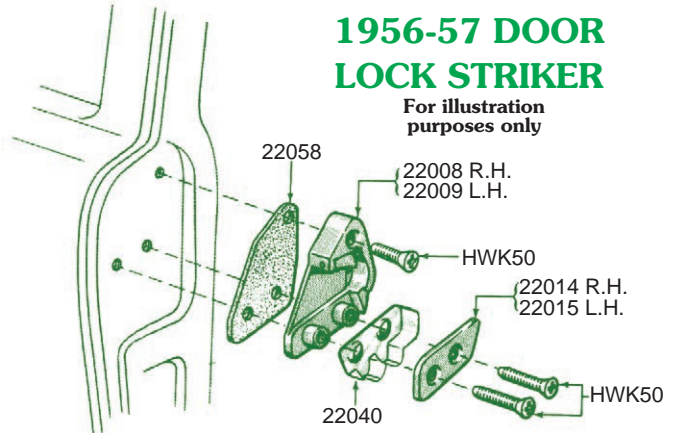


**21452K - Door Glass "Cat Whiskers"**

- 21452K Kit, door glass "Cat Whiskers" with clips, 4 pieces..... 42.95
- 21458 Channel assembly, door glass, RH ..... 96.34
- 21459 Channel assembly, door glass, LH..... 96.34
- HWK92 Door glass stainless to lower channels, 6 pieces, 2 sides ..... 1.65
- 21478 Retainer rubber, door glass, between glass and stainless ..... 4.95

**1956-57 DOOR LOCK STRIKER**

For illustration purposes only



- 21508A "Mole skin" lining for rear glass run; 36", enough to do both doors ..... 6.00
- 21546 Run, front door glass, felt channel..... 26.00
- HWK49 Door glass channel run to door pillar, 6 pieces, 1 side ..... 1.00
- 21760 Bracket, lower window stop..... 17.50
- 21762A Bumper, door window stop ..... 3.00
- 21770 Stop, upper door window..... 5.00
- HWK169 Upper window stops (21770) to doors, 12 pieces, 2 sides.....3.15
- 21812 Spring, door lock main return ..... 5.50



**21813BX - Door Lock Assembly**

- 21812AX Lock assembly, door, 55, RH, rebuilt, R&R only..... 100.00
- 21812BX Lock assembly, door, 56-57, RH, rebuilt, R&R only..... 100.00
- 21812B Lock assembly, door, 56-57, RH, NEW ..... 101.75
- 21813AX Lock assembly, door, 55, LH, rebuilt, R&R only ..... 100.00
- 21813BX Lock assembly, door, 56-57, LH, rebuilt, R&R only ..... 100.00
- 21813B Lock assembly, door, 56-57, LH, NEW ..... 101.74
- HWK168 Door lock assemblies to doors, 10 pieces, 2 sides ..... 3.95



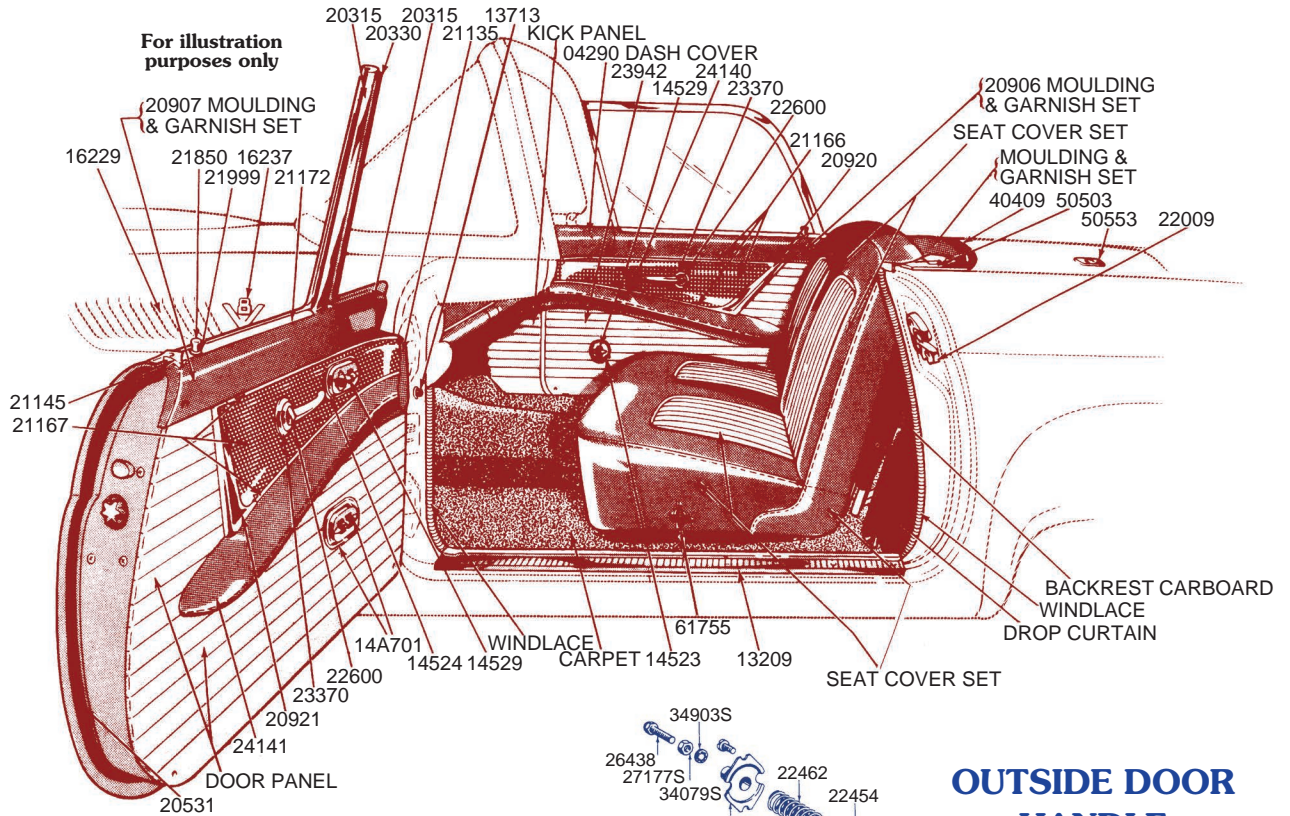
**21819 - Door Latch Control**

- 21818 Control, door latch remote, RH ..... 52.25
- 21819 Control, door latch remote, LH..... 52.25
- 21850 Knob, door lock pull, exact reproduction ..... 7.10
- 21852 Rod, door lock button..... 12.25
- 21910 Spring, door latch remote..... 5.50
- 21942A Cover, door lock, with spring, RH..... 10.95
- 21943A Cover, door lock, LH ..... 10.95
- 21952A Retainer clip, door lock rod..... 2.50



**21971 - Door Lock Cylinder Lever**

- 21971 Lever, door lock cylinder, correct length..... 6.50
- 21984 Lock & sleeve, door lock, RH..... 30.40
- 21985 Lock & sleeve, door lock, LH..... 39.95
- NOTE• Does not include #21971 or #22075
- 21999 Grommet, door lock knob..... 1.10
- 22007A Spring, trunk lock flip lid, 55/56, 3/4" ..... 3.75



- 22007B Spring, trunk lock flip lid, 57, 1/2" ..... 3.75
- 22008A Plate, door lock striker, RH, 55 ..... 24.95
- 22008B Plate, door lock striker, RH, 56-57, includes 22040 ..... 24.95
- 22009A Plate, door lock striker, LH, 55 ..... 24.95
- 22009B Plate, door lock striker, LH, 56-57, includes 22040 ..... 24.95
- HWK50 Screws for door lock striker, 3 pieces, 1 side ..... 2.95
- 22014 Plate, door lock striker, auxiliary, RH, required for 56-57 ..... 16.95
- 22015 Plate, door lock striker, auxiliary, LH, required for 56-57 ..... 16.95
- 22023K Retainer, door lock cylinder, RH & LH, per set of two ..... 10.25
- 22040 Insert, door striker plate, 56-57 ..... 13.45



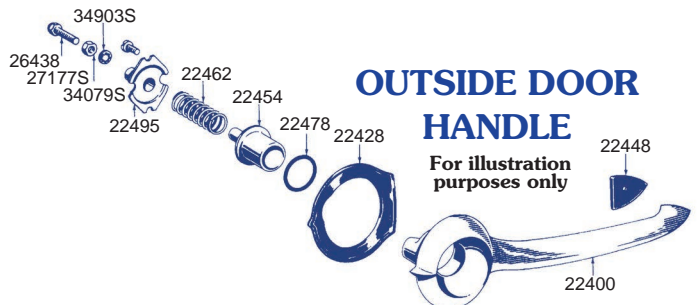
22050K



22051A

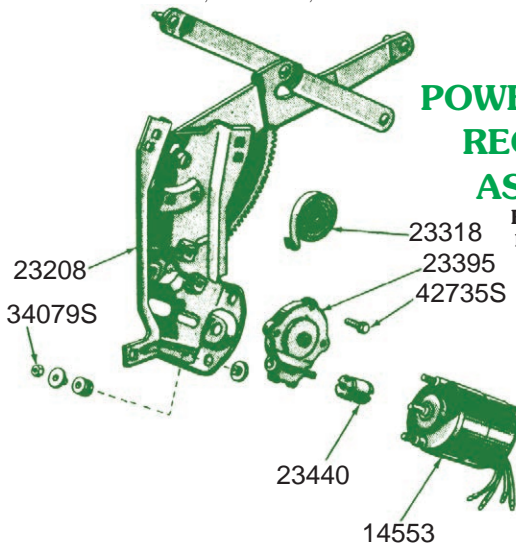
- 22050 Ignition lock and door locks only ..... 70.95
- 22050K Kit, ignition & door locks. Contains 1-11582, 1-21984, 1-21985, 2-21971, 2-22075, 2 keys & 22023K ..... 81.50
- 22051A Thunderbird deluxe key blanks, pair ..... 24.95
- 22051K Key blanks, as original, pair ..... 6.00
- 22058 Shim, striker plate ..... 1.90
- 22075 Spring, door lock operating lever ..... 0.85
- 22224 RH door glass, stainless molding ..... 270.95
- 22225 LH door glass, stainless molding ..... 270.95
- 22400 Handle, door, outside RH & LH, pair ..... 45.50
- HWK110A Outside door handles to doors, 55-56, 8 pieces, 2 sides ..... 3.95
- HWK110B Outside door handles to doors, 57, 8 pieces, 2 sides ..... 3.95
- 22428 Pad, outside door handle, large, RH ..... 1.60
- 22429 Pad, outside door handle, large, LH ..... 1.60
- 22448 Pad, outside door handle, small ..... 1.25
- 22428-9K Kit, includes one #22428, one #22429, and two #22448 ..... 4.75
- 22454A Button, assembly, outside door handle, 55-56 ..... 42.30
- 22454B Button, assembly, outside door handle, 57 ..... 42.30
- 22462 Spring, outside door handle button ..... 1.45
- 22478 Seal, door outside handle button ..... 1.40

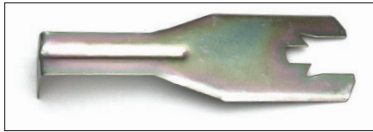
**OUTSIDE DOOR HANDLE**



- 22600A Handle, door inside, 55-56 ..... 28.95
- 22600B Handle, door inside, 57 ..... 28.95

**POWER WINDOW REGULATOR ASSEMBLY**





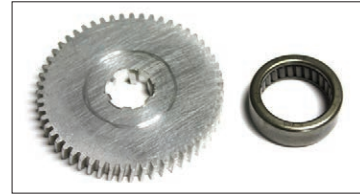
- 22601T - Handle Removing Tool**
- 22601T** Tool, door & window handle. A must for removing the inside door handles and window cranks .....10.95
- 22624D** Spring, door handle .....1.65
- 22624W** Spring, window handle.....1.65
- B43030** 55-69 hinge pin, to rebuild door hinges.....3.00
- 22810X** Door hinge, RH, rebuilt, R&R only.....90.00
- 22811X** Door hinge, LH, rebuilt, R&R only.....90.00
- NOTE•• Hinge cores must be received in a rebuildable condition, without any modifications and hinge pins must not be rusted to the casting.
- HWK171** Door hinge to door & body, 7 pieces, 1 hinge.....4.50
- 23202** Regulator, door window, 55-57, zinc plated, RH, manual 115.95
- 23203** Regulator, door window, 55-57, zinc plated, LH, manual 115.95



**23234 Window Scissors**

- 23234A** Manual scissors, 55-56 RH .....139.95
- 23234B** Manual scissors, 57 RH .....139.95
- 23235A** Manual scissors, 55-56 LH.....139.95
- 23235B** Manual scissors, 57 LH.....139.95
- 23240** Roller, window regulator, 3 required per side .....2.75
- 23240M** Roller, window regulator, metal .....9.00
- 23279** Coupler, power seat .....11.20
- 23318M** Spring, manual window regulator .....9.50
- 23318P** Spring, power window regulator .....9.50

- 23342A** Handle, window regulator, 55-56, includes clip .....28.95
- 23342B** Handle, window regulator, 57, includes clip .....31.95
- 23370** Plate, window & door handle, nylon.....1.00



**23395**

- 23395** Repair kit, power window transmission.....56.20



**23440 Power Window Coupler**



**23279 Power Seat Coupler**

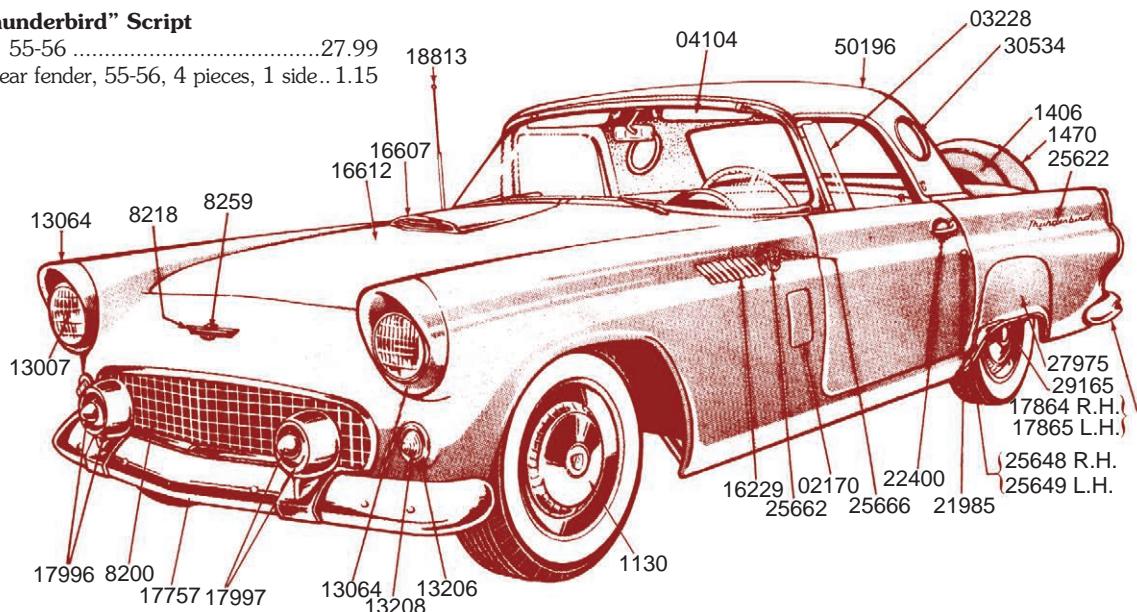
- 23440** Coupler, power window .....15.00
- 23504** Arm, door check stop .....11.30
- 76001A** Pin, door stop lever, with clip.....3.95
- 76001B** Pin, door stop lever, as original.....6.95
- 23942** Door panel (see upholstery section)
- 23943** Door panel (see upholstery section)
- 24140** Armrest, fiberglass body, RH without cover or foam.....89.95
- 24141** Armrest, fiberglass body, LH without cover or foam.....89.95
- HWK164** Arm rest bodies to door panels, 16 pieces, 2 sides.....3.95
- 24141A** Foam set, armrests, pair .....5.50
- 24141B** Foam set, armrests, adhesive backed, pair .....7.95

EXTERIOR TRIM



We Accept Visa, M/C, Discover and American Express

- 25622** Script, "Thunderbird", 55-56 .....27.99
- HWK51** Thunderbird script to rear fender, 55-56, 4 pieces, 1 side..1.15



**EXTERIOR TRIM**  
For illustration purposes only

- 25648 Stone guard with bracket, RH .....49.95
- 25648-9 Stone guards, fender skirt with brackets, pair .....101.20
- 25649 Stone guard with bracket, LH.....49.95
- 25650 Bracket, stone guard.....4.45



25662 - Medallion



25666 - Retainer

- 25662 Medallion, plastic, Ford crest, used with 25666.....20.25
- 25666 Retainer, Ford crest, used with 25662.....21.25
- HWK52 25666 to body, for threaded studs, 2 pieces, 1 side.....0.50
- 27974-5 Fender skirts, pair, without seals, less moldings.....353.00
- 27974-5K Fender skirt kit, includes 1 each 27974, 27975, 25648, 25649, 29164, 29165, 2-27986 and 2-HWK54 .....635.95
- NOTE•• If mounting brackets are needed order 27980K

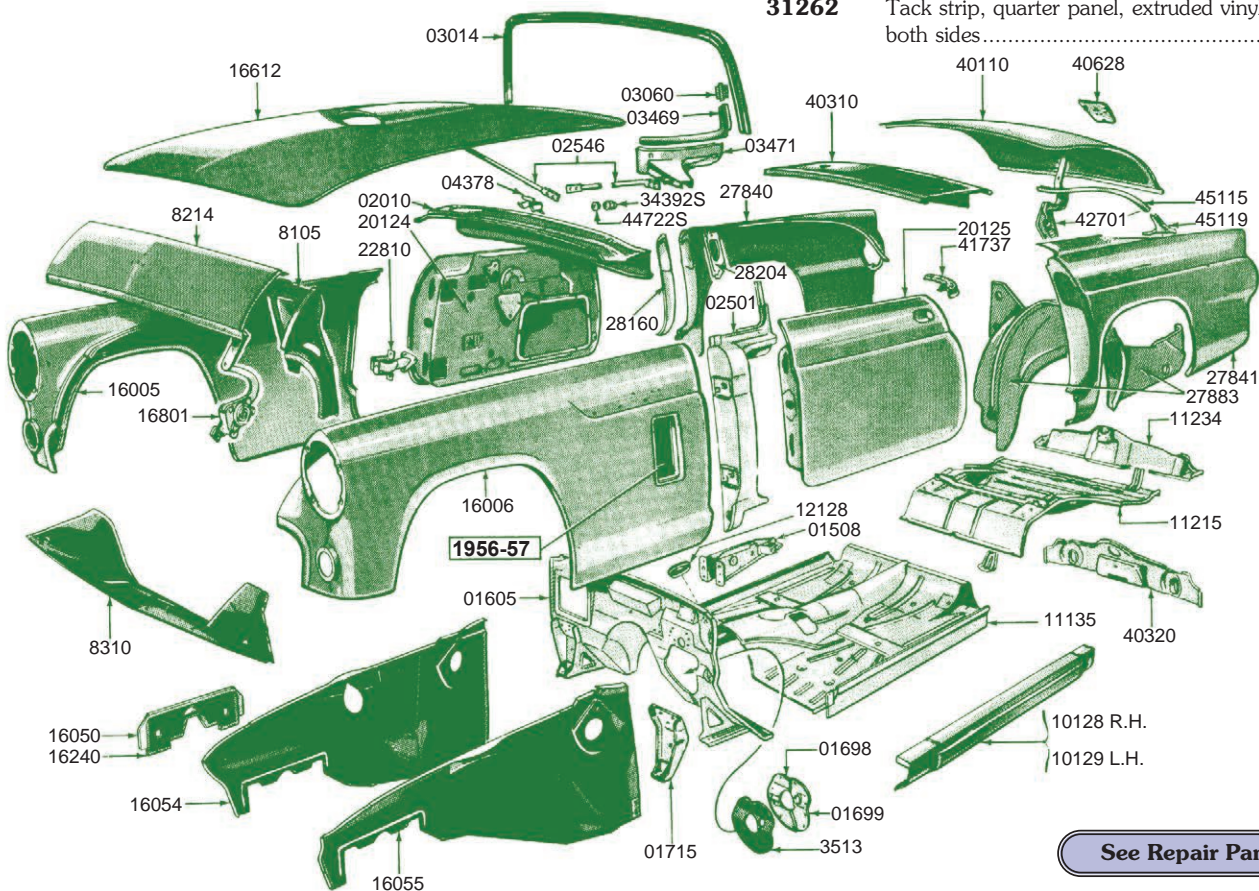


27980K - Fender Skirt Brackets

- 27980K Fender skirt brackets with screws, 4 pieces .....29.20
- HWK55 Fender skirt brackets to body, 8 pieces, 2 sides.....1.65
- 27986 Seal, fender skirt, rubber .....8.95
- HWK244 Weatherstrip and seal staples, 50 pieces .....3.50
- HWK139 Gas door to hinge, without studs, 3 pieces.....0.75
- HWK91 Gas door to hinge, includes studs, 6 pieces.....2.65
- 29004 Ring, inside porthole, chrome, pair.....48.95
- HWK53 Inside porthole rings to outside rings, 8 pieces .....1.95
- 29164A Molding, fender skirt, lower, RH, 55-56, skirt, 7" lever..78.70
- 29164B Molding, fender skirt, lower, RH, 57, skirt 9" lever.....78.70
- 29165A Molding, fender skirt, lower, LH, 55-56, skirt, 7" lever..78.70
- 29165B Molding, fender skirt, lower, LH, 57, skirt 9" lever .....78.70
- HWK54 Fender skirt lower molding to skirt, 9 pieces, 1 side .....1.50
- NOTE•• See ACC23D for fender skirt storage bag.
- 29710C Glass, porthole, clear with FoMoCo.....18.50
- 29710T Glass, porthole, tinted with FoMoCo .....19.75
- 29904 Seal, porthole glass, rubber .....3.75
- 30000 Porthole installation kit, with instructions, includes all necessary parts as pictured including a new 4 bow headliner and FoMoCo glass.
- 30000AK Clear glass, white headliner .....325.00
- 30000BK Clear glass, bone headliner.....325.00
- 30000CK Tinted glass, white headliner.....325.00
- 30000DK Tinted glass, bone headliner .....325.00
- 30500 Spacers, porthole, fiberglass, pair .....120.00
- 30534 Ring, outside porthole, chrome, pair.....79.95
- 31262 Tack strip, quarter panel, extruded vinyl, enough for both sides .....4.95

## SHEET METAL

For illustration purposes only



See Repair Panels on Page 14



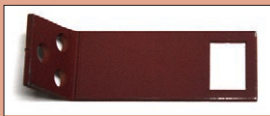


11215B



11215C

- 11215B Bracket, spare wheel bolt at trunk floor, 55 .....9.45
- 11215C Support, spare wheel at trunk floor, 55 .....7.30



11215D



11215D7



11215E

- 11215D Bracket, jack retainer at trunk floor, 55-56 .....3.40
- 11215D7 Bracket, jack retainer at trunk floor, 57 .....3.75
- 11215E Clip, jack post at wheelhouse, 55-56 .....1.50
- 11290 Cover, fuel gauge on trunk floor .....10.50



13398A



13398B

**Trunk Lid Bumper**

- 13398A Bumper, trunk lid, pair, 55-56 (mounts to rear panel).....7.90
- 13398B Bumper, trunk lid, pair, 57 (mounts to trunk lid) .....3.50

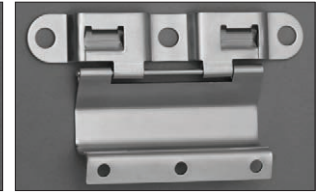


**40408/9 - Rear Deck Molding**

- 40406 Clip, stainless rear deck molding, center .....9.95
- 40406F Garnish rail, rear deck, fiberglass .....149.95
- 40408-9 Garnish molding, rear deck, stainless, pair .....99.95
- HWK132 Back deck panel garnish moldings (40408/9) to body  
16 pieces .....10.95
- HWK139 Gas door to hinge, without studs, 3 pieces.....0.75
- HWK91 Gas door to hinge, includes studs, 6 pieces.....2.65
- 40628A Gas door, aluminum, 55-56 .....65.00



40635A



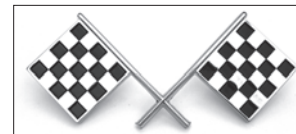
40635B

- 40635A Hinge, gas door, less springs, 55-56.....46.30
- 40635B Hinge, gas door, less springs, 57.....44.95
- HWK115A Gas door hinge to body, 55-56, 4 pieces.....1.25
- HWK115B Gas door hinge to body, 57, 3 pieces.....0.95
- 16377A Spring, gas door hinge, 55/56.....4.25
- 16377B Spring, gas door hinge, 57.....4.25
- HWK91 Gas door to hinge, includes studs, 6 pieces.....2.65
- HWK139 Gas door to hinge without studs, 3 pieces.....0.75
- 42006C Glass, back window, clear, safety, not tempered..... 310.95
- 42006T Glass, back window, tinted, safety, not tempered ..... 322.50
- 42084 Weatherstrip, back window glass .....39.00
- 42143S Screw, accelerator pedal .....0.30
- 42430-1K Complete set of back window molding with clips.....342.62
- 42450 Clip, rear window trim joining .....8.95



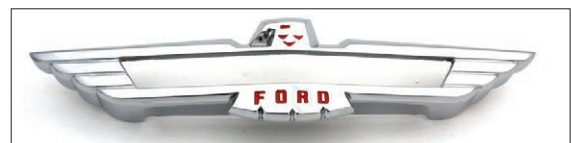
**42530 - Handle Insert**

- 42530 Plastic insert, rear deck handle, 57 .....15.25



**42550 - Cross Flags**

- 42550 Cross flags, 55.....13.50
- HWK278 Cross flags to body, 2 pieces.....0.50
- 42701A Spring, trunk hinge, 55-56 .....19.95
- 42701B Spring, trunk hinge, 57 .....16.99
- 43125 Plate, access, trunk latch, 55-56.....12.95
- 43226 Rod, trunk lock release, 57 .....4.25
- HWK273 Trunk hinges to deck lid, 55-56, 12 pieces, 2 sides.....2.95
- HWK86 Trunk hinges to deck lid, 57, 4 pieces, 2 sides.....2.00
- HWK116A Trunk lock assembly to trunk lid, 55-56, 6 pieces .....1.85
- HWK116B Trunk lock assembly to trunk lid, 57, 8 pieces .....2.45



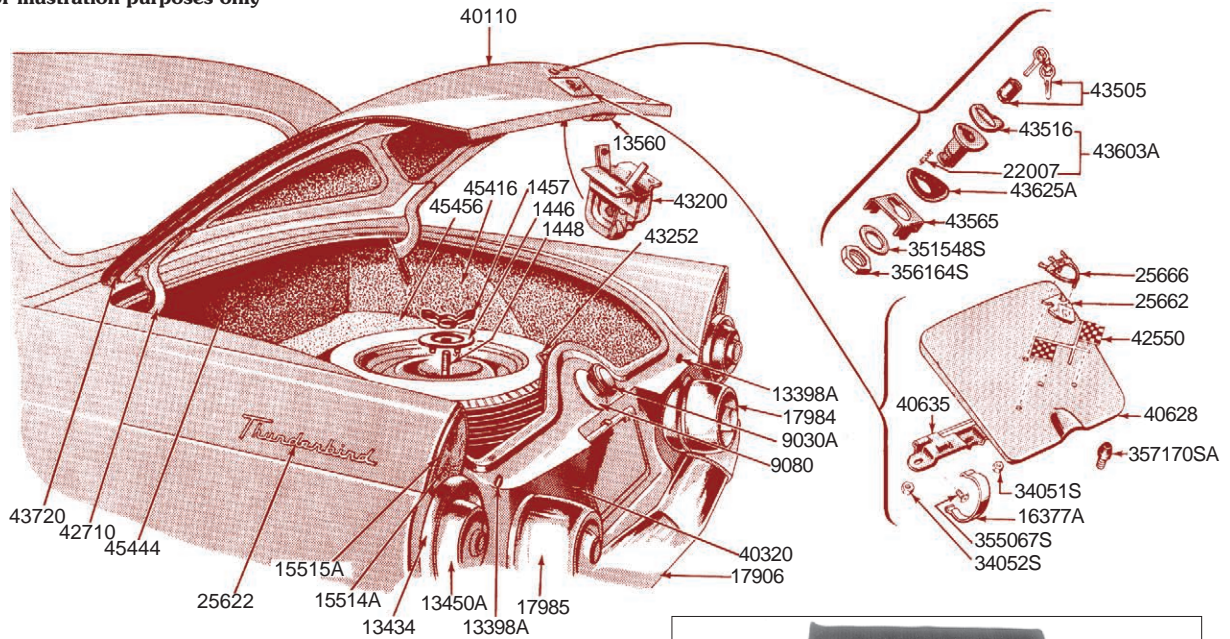
**43500 - Trunk Handle**

- 43500 Handle, trunk 57, includes wedge washers and nuts .....35.50
- 43505 Cylinder & keys, trunk lock .....22.40

**10% Quantity Discount On  
\$1000 Orders! See Ordering  
And Shipping Policy For More  
Information.**

## 1955 TRUNK COMPARTMENT

For illustration purposes only



43516A

Trunk Lock Flip Lids



43516B



43603A

Trunk Lock Housings



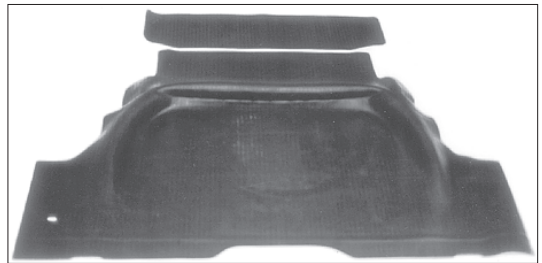
43603B

43516A	Flip lid only, trunk lock housing, 55-56.....	17.00
43516B	Flip lid only, trunk lock housing, 57.....	16.95
••NOTE••	For spring see 22007	
43565	Spacer, trunk lock, 57.....	8.50
43603A	Trunk lock housing, 55-56.....	41.95
43603B	Trunk lock housing, 57.....	41.95
43625A	Pad, trunk lock sleeve & cylinder, 55-56.....	3.85
43625B	Pad, trunk lock sleeve & cylinder, 57.....	3.85
43720	Weatherstrip, trunk lid.....	23.95
44735S	Washer, flat, 1/2".....	0.20
45218S	Lock nut for power steering ram, 57, 3/8"-24.....	0.25
45219S	Lock nut for power steering ram, 55-56, 7/16"-24.....	0.25



### 45415A - Trunk Side Cardboard Set

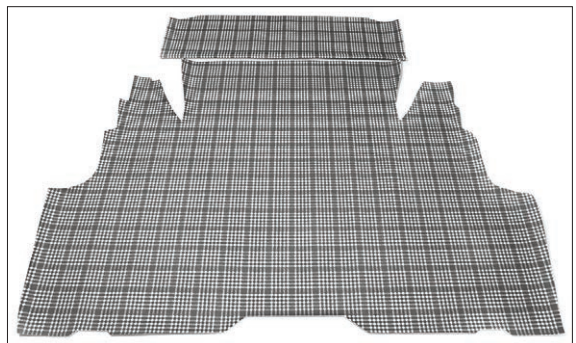
45415A	Trunk side cardboard set, RH & LH pieces, die cut for exact fit, 55-56.....	16.95
45415B	Trunk side cardboard set, RH & LH pieces, die cut for exact fit, 57.....	16.95
•HWK275	Trunk side cardboards to body, 57, 13 pieces, 2 sides....	2.95
45444	Center trunk divider board, ready for paint, 55 only.....	11.73
•HWK276	Trunk divider board to body, 55, 5 pieces.....	1.75



### 45455 - Rubber Trunk Mat

45455-55 Trunk mat, rubber, exact reproduction of original, 55 ...CALL  
 45455-56 Trunk mat & hanging curtain, rubber, used on 56's until about 6/56, exact reproduction.....299.00

••NOTE•• 56 rubber mat can be used on 55 - must cut hole for spare tire storage.



### 45456A - Burtex Trunk Mat Set

45456A Trunk mat set, simulated Burtex vinyl with padding. Easy to clean, non absorbent, fits 55 and 56, comes with curtain.....89.95  
 TC55 Spare tire cover to match, 55.....42.95

••NOTE•• Storage bags to match see ACC23  
 45457B Trunk mat set, 4 pieces, simulated Burtex vinyl with padding, includes floor mat, 2 wheel house covers & hanging curtain, zig zag stitched, as original, 57.....89.95

••NOTE•• Storage bags to match see ACC23  
 ••NOTE•• For 57 trunk well floor plug see 352285S

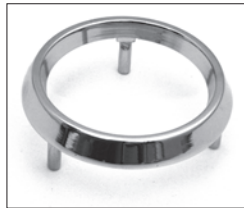


**30000K - Porthole Installation Kit**

- 30000** Porthole installation kit, with instructions, includes all necessary parts as pictured including a new 4 bow headliner and FoMoCo glass.
- 30000AK** Clear glass, white headliner .....325.00
  - 30000BK** Clear glass, bone headliner .....325.00
  - 30000CK** Tinted glass, white headliner .....325.00
  - 30000DK** Tinted glass, bone headliner .....325.00

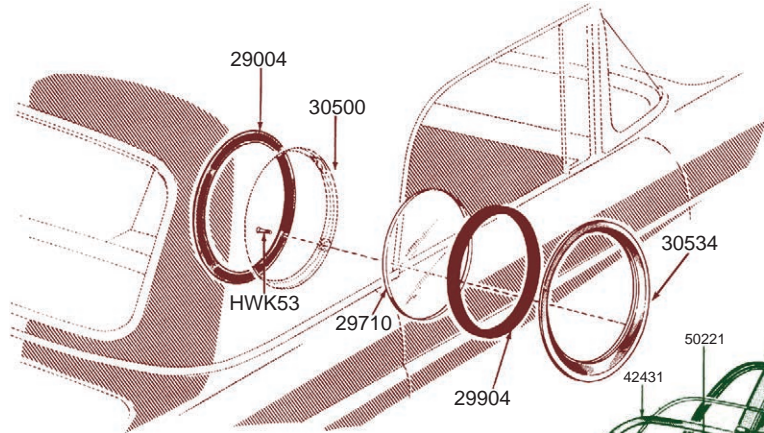


**50270**



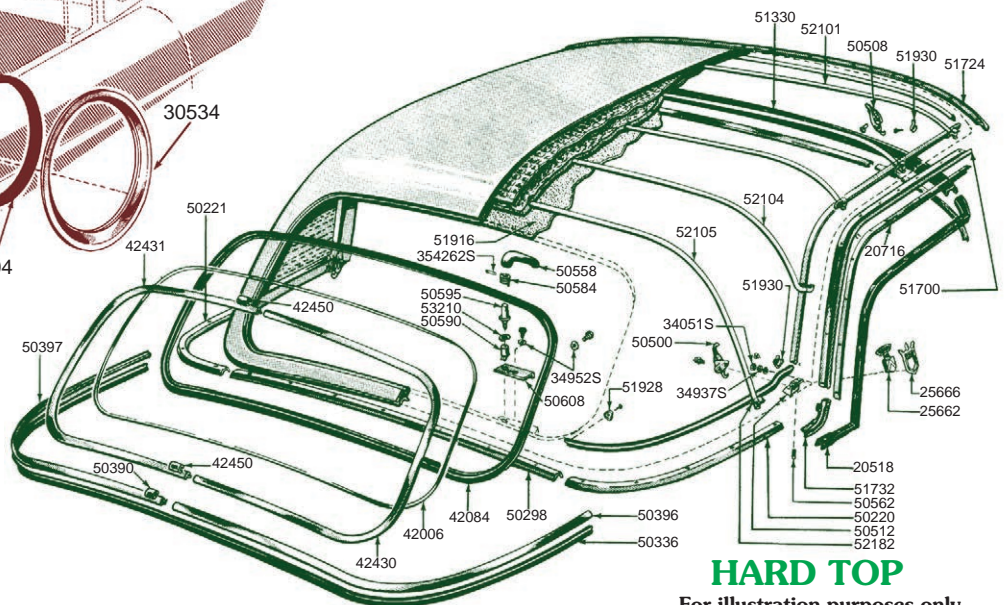
**50292**

- 50270** Medallion, non-porthole hard top, 57 .....23.95
- 50270K** Set of 4, medallion and retainer .....69.95
- 50292** Retainer, non-porthole medallion, chrome, 57 .....16.95
- 50320-6W** Spring washer for soft top rivet pins .....0.95
- 50374** Clip, retaining, soft top header stainless, RH .....5.50
- 50375** Clip, retaining, soft top header stainless, LH .....5.50
- 50390** Clip, lower hard top stainless .....7.75
- 50396** Hard top molding, RH rear .....123.77
- 50397** Hard top molding, LH rear .....123.77



**HARD TOP PORT HOLE WINDOW**

For illustration purposes only



**HARD TOP**

For illustration purposes only



**50500A**

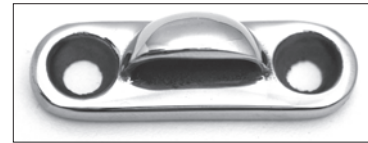


**50500C**  
**Top Clamps**



**50508A**

- 50500A** Top clamp, side, hard & soft top, finger handle 55-56... 76.95
- 50500B** Top clamp, side, hard & soft top "T" handle type, 56-57 76.95
- 50500C** Top clamp, side, late soft top with radical bend, 57 .....76.95
- 50500J** "J" Hook, side clamp, all years, included with clamp....17.75
- 50502** Side deck receptacle, RH, all years .....74.95
- 50503** Side deck receptacle, LH, all years .....74.95
- HWK112** Side clamp receptacles (50502/3) to body, 12 pieces, 2 sides..2.65
- 50508A** Top clamp, front, soft top, finger handle, 55-56 .....76.95
- 50508B** Top clamp, front, hard top, finger handle, 55-56 .....76.95
- 50508C** Top clamp, front, soft top "T" handle type, 56-57 .....76.95
- 50508D** Top clamp, front, hard top "T" handle type, 56-57 .....76.95
- 50508J** "J" Hook, front clamp, all years, included with clamp....16.95
- HWK184** Soft top front clamps to frame, 8 pieces, 2 clamps .....6.95
- HWK185** Soft top side clamps to frame, 4 pieces, 2 clamps .....3.95
- HWK174** Hardtop front clamps to top, 4 pieces, 2 clamps .....2.10
- HWK175** Hardtop side clamps to top, 4 pieces, 2 clamps .....2.25
- HWK56** Soft top clamps to top, 40 pieces, all clamps .....14.95
- HWK57** Hard top clamps to top, 24 pieces, all clamps .....8.95



**50530 - Clamp Cup**

- 50530** Clamp cup, above windshield .....16.25
- 50534** Deck plate gaskets, pair .....2.25
- HWK111A** Rear top clamp receptacles (50552/3) to rear deck, 10 pieces, 2 sides .....4.05
- HWK111B** Rear top clamp receptacles (50552/3) to rear deck, includes studs, 12 pieces, 2 sides .....6.95
- 50540S** Screw, exhaust deflector, 57 .....1.40



50552/3A



50552/3C

**Rear Deck Receptacles**

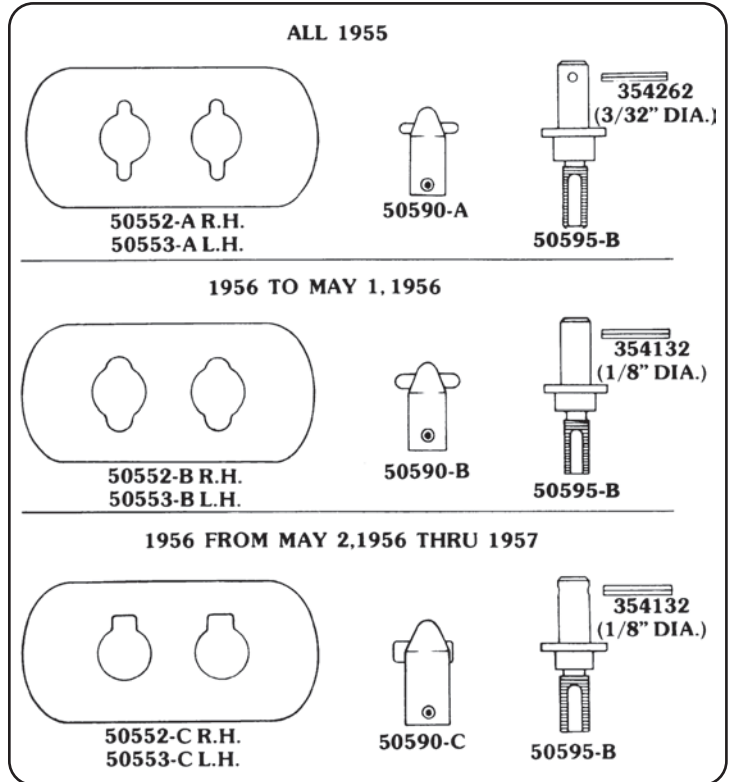
- 50552A Rear deck receptacle, RH, with studs, 55 .....48.50
- 50552B Rear deck receptacle, RH, with studs, 56 .....48.50
- 50552C Rear deck receptacle, RH, with studs, 57 .....48.50
- 50553A Rear deck receptacle, LH, with studs, 55 .....48.50
- 50553B Rear deck receptacle, LH, with studs, 56 .....48.50
- 50553C Rear deck receptacle, LH, with studs, 57 .....48.50
- HWK111A Rear top clamp receptacles (50552/3) to rear deck, 10 pieces, 2 sides .....4.05
- HWK111B Rear top clamp receptacles (50552/3) to rear deck, includes studs, 12 pieces, 2 sides .....6.95
- 50558A Lever, rear clamp, RH, soft & hard top, "dog-leg" type 55-56 .....40.95
- 50558B Lever, rear clamp, RH, soft & hard top, late 56-57, "straight" handle .....40.95
- 50559A Lever, rear clamp, LH, soft & hard top, "dog-leg" type, 55/56 .....40.95
- 50559B Lever, rear clamp, LH, soft & hard top, late 56-57, "straight" handle .....40.95
- 50562 Top guide pin, side .....12.25
- 50584 Spring, rear clamp, RH .....4.25
- 50585 Spring, rear clamp, LH .....4.25
- 50590A Fastener, hard & soft top bullet, 55 .....14.95
- 50590B Fastener, hard & soft top bullet, 56 thru May of 56 .....14.95
- 50590C Fastener, hard & soft top bullet, after May 56 thru 57 .....14.95
- 50595B Stud, rear clamp lever, 55-57 .....12.25
- 50608 Plate, rear clamp assembly, RH .....25.50
- 50609 Plate, rear clamp assembly, LH .....25.50
- HWK176 Hard top rear clamp plates to top, 16 pieces, 2 sides ...4.95
- HWK186 Soft top rear clamp plates to frame, 8 pieces, 2 sides ...6.95
- HWK58 Chrome soft top rivet pins with clips, 18 pieces, 2 sides.29.95
- HWK177 Soft top front header center casting to end castings, 12 pieces .....2.10
- HWK178 Soft top front header casting to front side rails, 16 pieces, 2 sides .....5.25
- HWK179 Soft top bows to side center rails, 16 pieces, 2 sides .....6.95
- HWK180 Soft top webbing plates to number 2 bow, 4 pieces, 2 sides 1.35
- HWK181 Soft top front stainless trim to frame, 20 pieces .....18.95
- HWK182 Soft top outside wire-on tips to top, 4 pieces, 2 sides ...1.00
- HWK59B Early soft top frame kit: includes chrome pins, bolts, nuts, washers, acorn nuts and sleeves. Does not include HWK56, HWK58, HWK62, HWK66 or HWK68, 82 pieces, 2 sides .....68.95



51374S Sleeve  
51374W Washer

••NOTE•• All soft tops late 55 and newer require 2-51374S & 2-51374W

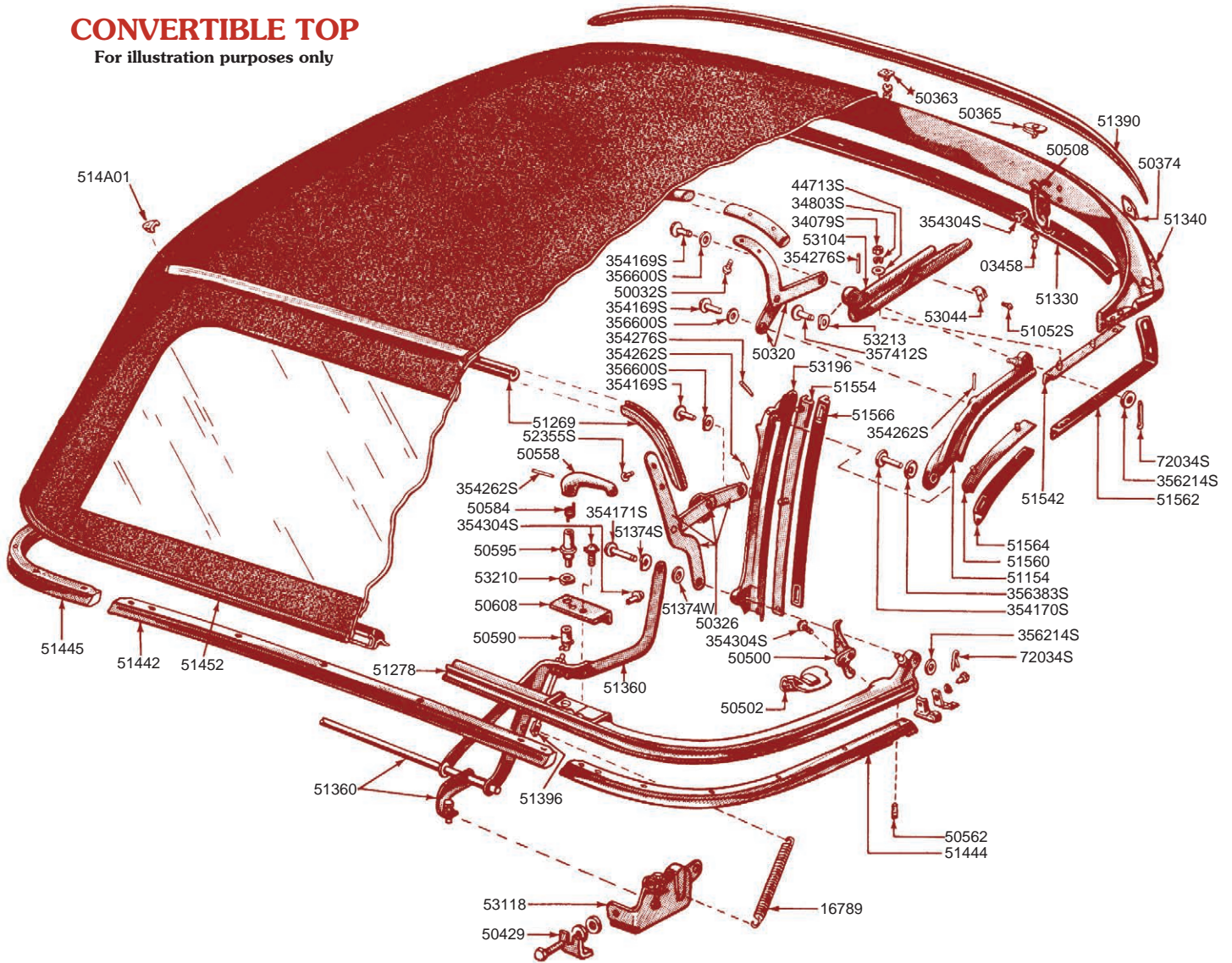
## REAR TOP CLAMP RECEPTACLES, BULLETS & STUDS



- HWK60B Late soft top frame kit: Kit includes chrome pins, bolts, nuts, washers, acorn nuts and sleeves. Does not include HWK56, HWK58, HWK62, HWK66 or HWK68, 94 pieces, 2 sides .....84.95
- 51000K Hard top molding set, 8 pieces, all moldings except back glass .....618.85
- NOTE•• See 42430-1K for back glass kit.
- 51276 Plates, retaining, soft top webbing straps to #2 bow, with screws, pair .....5.50
- 51278 Tack strip with retainer, soft top, rear bow, replacement type.31.95
- 51278A Tack strip, extruded vinyl, soft top .....20.00
- HWK62 Soft top rear bow tack strip to frame, 90 pieces .....9.95
- 51278B Tack strip, extruded vinyl, hard top .....22.00
- 51278C Tack strip, molded aluminum, soft top .....169.90
- HWK63 Hard top tack strip to top, 45 pieces .....4.95
- 51340A Soft top front tack strip repair kit .....34.95
- 51340B Soft top assembly, complete, reproduction, partial conduit construction, with vinyl cover installed .....2695.00
- 51340C Soft top assembly, complete, reproduction, partial conduit construction, with canvas cover installed .....2995.00
- NOTE•• Does not include swing bar, feet or stainless steel header trim.
- 51360A Swing-arm bar, soft top, without feet .....349.00
- 51360B Swing-arm bar, soft top, with early feet .....549.95
- 51360C Swing-arm bar, soft top, with late feet .....549.95
- 51360D Bolts, needed to install swing bar, 55-57 .....40.00
- 51374S Sleeve, soft top frame at swing arm .....5.50
- 51374W Washer for soft top frame sleeve (51374) .....1.00
- 51390B Soft top header trim, 1 piece .....235.57
- 51390C Stainless steel header trim for reproduction top, must be purchased with the top, installed .....525.00
- HWK181 Soft top front stainless trim to frame, 20 pieces .....18.95
- 51396S Eyebolt, soft top swing-arm .....2.95
- NOTE•• See 16789 for eyebolt spring.

**CONVERTIBLE TOP**

For illustration purposes only



514A00



514A01



51928R



51930



**52105K - Hard Top Headliner Bows**

- 514A00 Wire-on tip, soft top, outside, RH.....8.25
- 514A01 Wire-on tip, soft top, outside, LH.....8.25
- HWK182 Soft top wire-on tips to top, 4 pieces, 2 sides .....1.00
- 51700 Hard top molding, over glass, RH .....101.26
- 51701 Hard top molding, over glass, LH.....101.26
- 51724 Hard top molding, front .....123.77
- 51732 Hard top molding, corner, RH .....45.00
- 51733 Hard top molding, corner, LH.....45.00
- 51928R End, headliner wire-on border trim, exact reproduction,  
2 required..... 3.95
- 51930 Corner, headliner wire-on border trim, stainless,  
4 required .....8.95
- HWK67 Hard top wire-on trim to top, 6 pieces .....1.20

- 52104K Bows, hard top headliner, 4 bow set .....48.95
- 52105K Bows, hard top headliner, 5 bow set .....54.95
- 52182A Clip, hardtop front bow guide.....3.25
- 53118A Foot assembly, swing-bar, early type, RH.....80.95
- 53118B Foot assembly, swing-bar, late type, RH .....80.95
- 53119A Foot assembly, swing-bar, early type, LH.....80.95
- 53119B Foot assembly, swing-bar, late type, LH.....80.95
- 53118S Bolt, adjusting, soft top swing-arm foot.....4.20
- 53213S Spring washer for soft top pins, 354171S/357412S .....1.00
- HWK187 Soft top swing-arm bar feet halves to each other,  
14 pieces, 2 sides .....3.80
- HWK188 Soft top swing-arm feet to floor, 12 pieces, 2 sides .....2.25
- HWK68 Soft top swing-arm feet, includes special  
adjusting bolts, 34 pieces .....17.95

## HARD TOP WEATHERSTRIPS

### 1955 & Early 1956 STYLE WEATHERSTRIPS

<b>51330A</b>	Front header, 43½" long.....	98.95
<b>20518</b>	Over door glass, cloth covered, RH.....	109.95
<b>20519</b>	Over door glass, cloth covered, LH.....	109.95
<b>50220</b>	Curved on rear deck, RH.....	46.95
<b>50221</b>	Curved on rear deck, LH.....	46.95
<b>50298</b>	Rear deck, center.....	46.95
<b>50336</b>	Rain seal, fits into stainless below rear window.....	16.75
<b>51500K</b>	Complete set of 7 weatherstrips.....	420.00
• <b>HWK64</b>	Hard top weatherstrip to top, 47 pieces.....	7.95
• <b>HWK65</b>	Hard top stainless trim to top, 20 pieces.....	3.95

• • NOTE • • See page 80 and 81 for other hard top hardware kits.

### LATE 1956 & 1957 STYLE WEATHERSTRIPS

<b>51330B</b>	Front header, 54" long.....	98.95
<b>51222</b>	Over door glass, RH.....	110.95
<b>51223</b>	Over door glass, LH.....	110.95
<b>50220</b>	Curved on rear deck, RH.....	46.95
<b>50221</b>	Curved on rear deck, LH.....	46.95
<b>50298</b>	Rear deck, center.....	46.95
<b>50336</b>	Rain seal, fits into stainless below rear window.....	16.75
<b>51501K</b>	Complete set of 7 weatherstrips.....	420.00
• <b>HWK64</b>	Hard top weatherstrip to top, 47 pieces.....	7.95
• <b>HWK65</b>	Hard top stainless trim to top, 20 pieces.....	3.95

• • NOTE • • See page 80 and 81 for other hard top hardware kits.

## SOFT TOP WEATHERSTRIPS

<b>51330A</b>	Front header, 43½" long.....	98.95
<b>51562</b>	Over door glass, front, RH, with T-bolts.....	37.00
<b>51563</b>	Over door glass, front, LH, with T-bolts.....	37.00
<b>51564</b>	Over door glass, center, RH, with T-bolts.....	37.00
<b>51565</b>	Over door glass, center, LH, with T-bolts.....	37.00
<b>51566</b>	Over door glass, rear, RH, with T-bolts.....	37.00
<b>51567</b>	Over door glass, rear, LH, with T-bolts.....	37.00
<b>51442</b>	Rear deck, center.....	51.00
<b>51444</b>	Curved on rear deck, RH.....	64.50
<b>51445</b>	Curved on rear deck, LH.....	64.50
<b>51502K</b>	Complete set of 10 weatherstrips.....	420.00
<b>51562KIT</b>	Set of 6 pieces over door glass with T-bolts.....	210.95
• <b>HWK66A</b>	Soft top weatherstrip to frame with T-bolts, 96 pieces, 2 sides.....	17.95
• <b>HWK66B</b>	Soft top weatherstrip to frame without T-bolts, 84 pieces, 2 sides.....	11.95

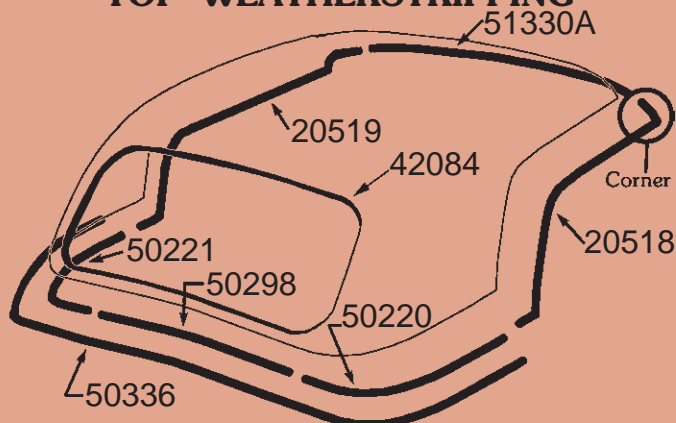
• • NOTE • • See pages 80 and 81 for other soft top hardware kits.

## HARD TOP HEADLINERS

We offer both the bone (off-white) headliner, as original, or the pure white headliner. Both come with original style, crush finish wire-on.

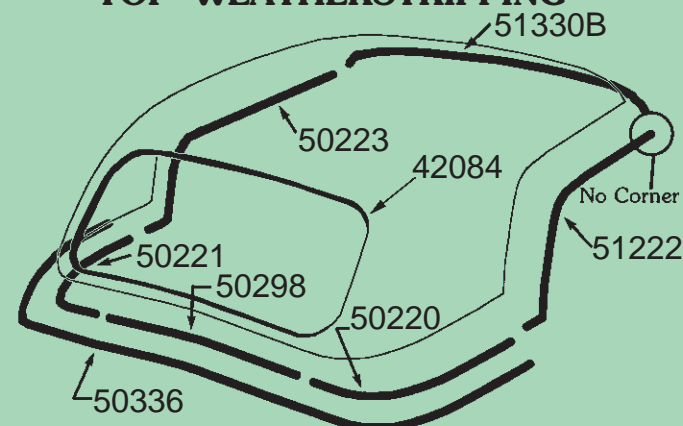
<b>HL4B</b>	4 Bow bone.....	89.95
<b>HL4W</b>	4 Bow white.....	89.95
<b>HL5B</b>	5 Bow bone.....	89.95
<b>HL5W</b>	5 Bow white.....	89.95
<b>HLWRB</b>	Headliner wire-on only, original crush finish, bone.....	13.95
<b>HLWRW</b>	Headliner wire-on only, original crush finish, white.....	13.95
• <b>HWK67</b>	Hard top wire-on trim to top, 6 pieces.....	1.20
<b>51928R</b>	End, headliner wire-on border trim, exact reproduction, each, 2 required.....	3.95
<b>51930</b>	Corner, headliner wire-on border trim, stainless, each, 4 required.....	8.95

### 1955 TO EARLY 1956 HARD TOP WEATHERSTRIPPING



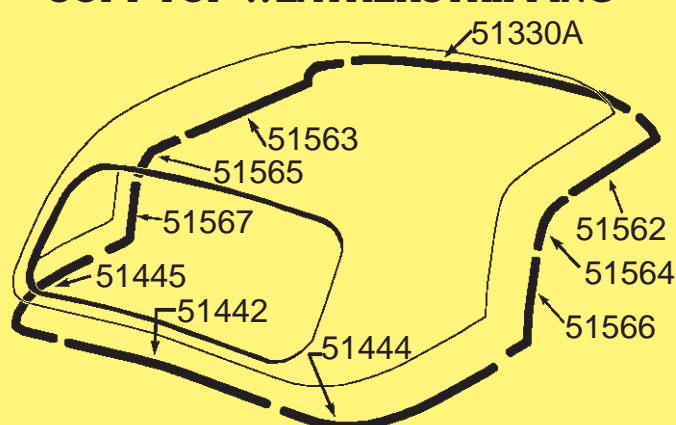
SEE 51500K FOR COMPLETE KIT

### LATE 1956 TO 1957 HARD TOP WEATHERSTRIPPING



SEE 51501K FOR COMPLETE KIT

### SOFT TOP WEATHERSTRIPPING



SEE 51502K FOR COMPLETE KIT



We offer the BEST and MOST COMPLETE line of soft top recovering kits available anywhere. All kits include the top covering, rear window assembly, windlace strips, wire-on strip, replacement style webbing straps, bow cover for #2 bow and window straps.

- Samples available upon request.
- In stock for immediate delivery in the 211 style. All other colors and rear window styles will be special ordered. We request full payment in advance on special order recovering kits.
- Please allow 3 to 4 weeks for delivery.

• •NOTE• • Recovering kits will not fit aftermarket tops - designed for original frames only.

**Vinyl Material:**

This is the most practical top material of all. Champion vinyl is very durable and washable.

**Back Window Style 211:**

Horseshoe zipper (zipper on 3 sides). Not stock by concour standards but certainly the most practical.

<b>TST211B-B</b> Black / black.....	<b>475.00</b>
<b>TST211B-R</b> Brown / black.....	<b>475.00</b>
<b>TST211BU-B</b> Blue / black.....	<b>475.00</b>
<b>TST211M-B</b> Maroon / black.....	<b>475.00</b>
<b>TST211W-B</b> White / black.....	<b>475.00</b>

**Back Window Style 212:**

Straight across the top zipper with flaps on both sides of the rear window, as original for 1956-1957.

<b>TST212B-B</b> Black / black.....	<b>475.00</b>
<b>TST212BR-B</b> Brown / black.....	<b>475.00</b>
<b>TST212BU-B</b> Blue / black.....	<b>475.00</b>
<b>TST212M-B</b> Maroon / black.....	<b>475.00</b>
<b>TST212W-B</b> White / black.....	<b>475.00</b>

**Back Window Style 213:**

Completely sewn in rear window (no zipper at all) as original for the 1955.

<b>TST213B-B</b> Black / black.....	<b>475.00</b>
<b>TST213BR-B</b> Brown / black.....	<b>475.00</b>
<b>TST213BU-B</b> Blue / black.....	<b>475.00</b>
<b>TST213M-B</b> Maroon / black.....	<b>475.00</b>
<b>TST213W-B</b> White / black.....	<b>475.00</b>

**Canvas Material:**

Haartz Sta-Fast Canvas: This the BEST canvas money can buy. It is fade resistant and has a silky sheen to it much like the original canvas tops. All top "show cars" use this canvas material.

**Back Window Style 211:**

Horseshoe zipper (zipper on 3 sides). Not stock by concour standards but certainly the most practical.

<b>TST211B-BC</b> Black / black.....	<b>725.00</b>
<b>TST211T-BC</b> Tan / black.....	<b>725.00</b>

**Back Window Style 212:**

Straight across the top zipper with flaps on both sides of the rear window, as original for 1956-1957.

<b>TST212B-BC</b> Black / black.....	<b>725.00</b>
<b>TST212T-BC</b> Tan / black.....	<b>725.00</b>

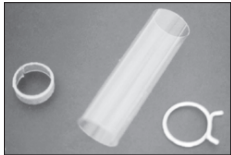
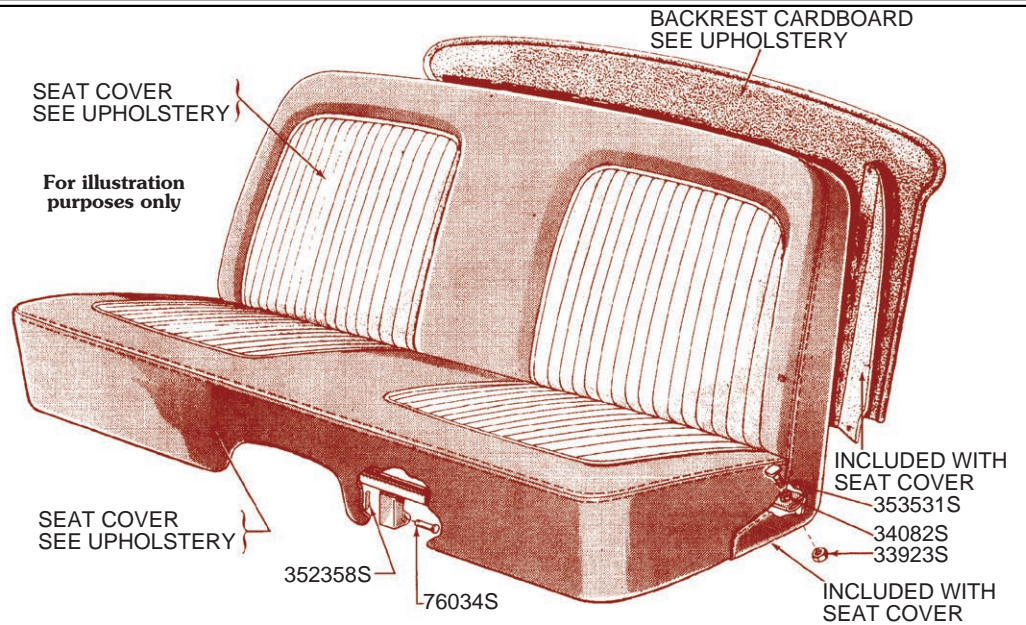
**Back Window Style 213:**

Completely sewn in rear window (no zipper at all) as original for the 1955.

<b>TST213B-BC</b> Black / black.....	<b>725.00</b>
<b>TST213T-BC</b> Tan / black.....	<b>725.00</b>

**10% Quantity Discount On \$1000 Orders! See Ordering And Shipping Policy For More Information.**

**For Aftermarket Top Assemblies See page 81.**



**60477A**

**Power Seat Worm Gear Tube**



**23279**

**Power Seat Coupler**



**61755**

**Adjusting Knob**

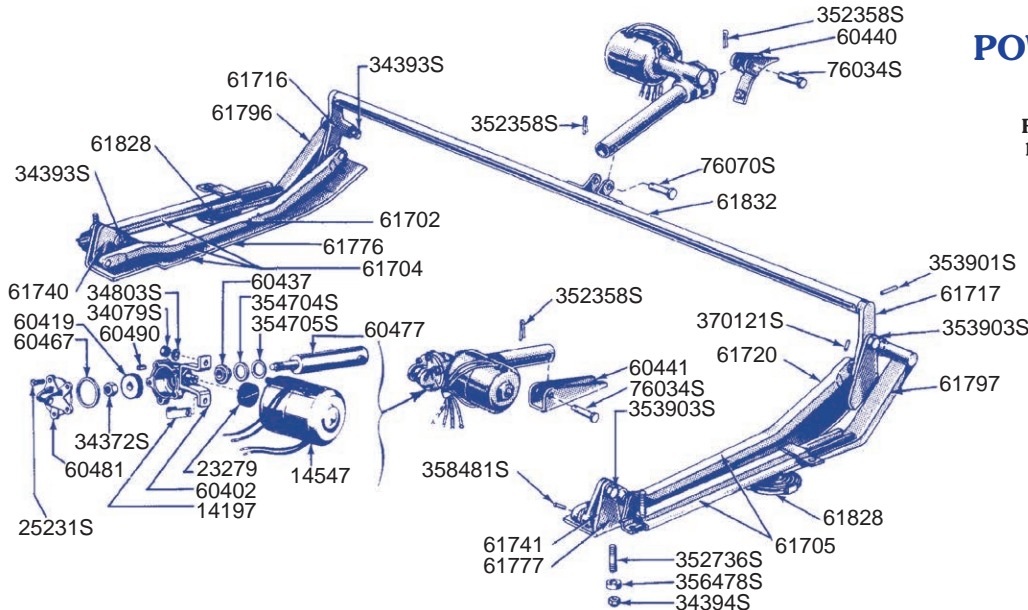


**61828**

**Assist Spring**

- 23279** Power seat motor coupler .....11.20
- 60477A** Tube kit, power seat worm gear. Includes plastic tube, cardboard spacer and scissor type clamp .....13.99
- HWK97** Power seat drive clevis pins & clips, 8 pieces, 2 motors ..4.25
- HWK161** Power seat drive brackets to floor, 8 pieces .....3.35
- 61062** Seat stop pad, pair .....9.95
- 61489S** Distributor gear roll pin .....0.30

- 61755** Adjusting knob, manual seat, black plastic.....16.99
- 61828** Spring, power seat assist, 2 required .....6.75
- 62190** Cable & housing, manual seat release.....19.95
- 62198** Bezel, manual seat at adjusting lever.....8.95
- 74151S** Woodruff key, crankshaft pulley.....1.75
- 74171S** Power steering pump to pulley woodruff key.....1.45
- 76001A** Pin, door stop lever, with clip.....3.95
- 76001B** Pin, door stop lever, as original.....6.95
- NOTE**•• See 23504 for arm
- 77619A** Spring, F/M shifter button .....2.10
- 77619** Button, F/M shifter, chrome, with screw.....21.95
- 77635** Spring, F/M shifter ball.....3.95
- NOTE**•• For automatic shifter ball see 7213B



## POWER SEAT FRAME

For illustration purposes only





- 87211S** Connector, brass, brake line.....1.95
- 87213S** Connector, brass, fuel line.....4.30
- 87479S** Connector T, brass, dual carbs.....9.95
- 17758S** Bumper bolt, replacement.....1.75
- 17758XS** Bumper bolt, show quality.....2.50



- 87907S** Fitting, Zerk, 1/4" straight.....0.70
- 87924S** Fitting, Zerk, 1/4" 90 degree.....1.50



- 87945S** Adapter fitting, brake booster line 55/57.....5.95
- 87972S** Fitting, fuel filter and fuel pump.....3.95



- 89447S** F/M shifter button set screw .....2.50



- 95806S** Clip, gas line to frame, 4 required .....4.75



**351062S**



**351112S**

- 31480S** #4-40 x 1/4" slotted pan head screw.....0.28
- 31489S** #6-32 x 3/8" slotted pan head screw.....0.32
- 31492S** #6-32 x 3/4" slotted pan head screw.....0.36
- 32938S** Screw, headlight retaining.....0.15
- 33542A** Connector bolt, power steering reservoir to pump, early style.19.80
- 33542B** Connector bolt, power steering reservoir to pump, late style.19.80
- 33614A** Fitting, power steering pump high pressure, early style without seat.....19.95
- 33614B** Fitting, power steering pump high pressure, late style with seat.....19.95
- 33619S** Seal for 33725S fitting.....1.25
- 33725S** Fitting, power steering return line to pump, with crush nut & seal .....23.70
- 33850S** Nut, brake anchor pin.....0.75
- 33896S** Wing nut, battery bolt .....0.85
- 33943S** Nut, steering box adjusting stud.....0.75
- 33947PS** Nut, on power steering fitting #33725.....11.50
- 34673S** Nut, 7/16", coarse, brass, manifold studs.....0.60
- 351062S** Nut, clutch adjusting rod .....2.95
- 351112S** Fitting, distributor vacuum line.....2.38
- 351153S** Nut, sector shaft, steering.....2.50
- 351385S** Washer, 3/8", extra thick for exhaust manifold bolts.....1.15
- 351467S** Washer, rear brake, spring type.....0.30
- 351548S** Washer, trunk lock sleeve.....1.00
- 351757S** Bolt, steering column, to dash.....3.95
- 351789S** Gasket, power steering high pressure fitting, 55-56/early 57 .....2.75



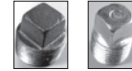
- 351791S** Banjo fitting, power steering pressure outlet, early style.18.10
- 351792S** Bolt, power steering pressure outlet, early style.....19.95
- 352222S** T-bolt, soft top weatherstrip, 12 required.....1.75
- 352284S** Floor plug, 1 1/4".....1.65
- 352285S** Floor plug, 1 1/2".....1.95



- 352358S** Clip, clevis pin, on power seat & spare tire bolt.....0.45
- 352736S** Seat frame to floor pan stud.....3.35
- 352962S** Grommet, tachometer cable.....2.05
- 352963S** Grommet, wiper vacuum hose.....2.50



- 352999SR** Wire clip, engine compartment, original style .....3.25



- 353051S** Plug, differential filler .....3.85
- 353055S** Plug, gas tank.....2.50



- 353376S** Tee, vacuum hose.....7.95
- 353531S** Seat back stop and adjuster bolt.....4.95
- 353547S** Clip, temperature wire to head, plain.....1.65



- 353577S** Barrel nut, to retain #16098 & #25622 Thunderbird script0.30
- 353624S** Screw, tail light lens, 55.....1.20
- 353706S** Brass fitting, power brake booster .....8.95
- 353766S** Retainer clip, power steering reservoir lid, spring and washer.....0.85
- 353846S** Power steering pulley washer .....2.95
- 354125S** Grommet, hood cable .....2.95



- 354126S** Bolt, power steering bracket to water pump.....12.95
- 354132S** Roll pin, soft top, steel, 1/8".....0.40
- 354169S** Pin, chrome, soft top, small head, 3/4" shaft .....6.25
- 354170S** Pin, chrome, soft top, large head, 1 1/4" shaft.....7.25



- 354171S** Pin, chrome, soft top, medium head, 2 3/8", shaft.....8.25
- 354193S** Washer, power steering pump, 3 pieces, set.....8.95
- 354262** Roll pin, soft top, steel, 3/32" .....0.50
- 354284S** Clip, main wiring at LH scoop, 55 .....1.55
- 354293S** Set screw 57 wing window.....0.26
- 354304S** Soft top screw, #10-24 x 1/4" Phillips oval head .....0.65



- 354446S** Brass block, front brake line.....65.95
- 43238S** Rubber grommet for radiator upper fan shroud.....1.00



354447SA



354447SB



354447SC



354465S



357227S Nut with retainer, 1/4"-20 .....0.45



357331S Clip, brake line at frame, 3 required .....2.75



357412S Pin, chrome, soft top, medium head 1 1/8" long shaft .....6.50

- 354447SA Vacuum block, brass, intake manifold, 55.....33.95
- 354447SB Vacuum block, brass, carburetor, 56 .....33.95
- 354447SC Vacuum block, brass, intake manifold, 57.....33.95
- 354465S Wire clip, crossover wire in front of radiator, 2 required 2.10
- 354573S Spindle nut, front .....3.95
- 354577S See #6582A
- 354580S 3/8" x 3 3/4" bolt, power steering pump front bracket .....2.95



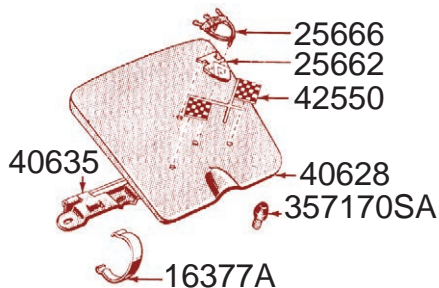
- 354668A Bolt, power steering reservoir lid, early style 2 1/2" .....6.95
- 354668B Bolt, power steering reservoir lid, late style 3 1/2" .....6.95



- 354690S Screw, back-up light lens, 55 .....1.25
- 354721S Rear spring center bolt.....4.50
- 354746S Screw, park light, 55-56 .....0.75
- 354798S Screw, tail light, 56.....1.20
- 354899S Screw, park light and tail light, 57 .....1.00
- 354926S Retainer nut, exhaust deflector, 57 .....2.25
- 355768S Retainer nut, headlight bucket .....0.40
- 356094S Nut, windshield wiper transmission .....5.00
- 356098S Nut, radio mounting.....2.95
- 356164S Nut, trunk lock sleeve .....1.70
- 356214S Washer, for soft top pins, (354170S + 357412S) .....1.20



- 356600S Washer, spring type for soft top pins, (354169S).....0.95
- 356640 Wiring clip, at radiator shroud .....1.30
- 357000S J-Nut, body to frame, 10 required .....4.00
- 357001S Washer, formed, body bolt, 55-56.....1.20
- 357002S Washer, flat, body bolt, 57 .....1.70
- 357003S Body shim, thick, square with hole .....1.65
- 357004S Body shim, thin, U shaped.....1.35



- 357170SA Gas door bumper, 55/56, pair.....3.55
- 357170SB Gas door bumper, 57, pair .....3.45



357466S Fitting, brass, fuel pump.....3.95



357550S Clip, door handle retaining.....0.35

357811S Rubber bumper, heater box defroster flapper door .....1.35



358032S Fitting, 90 degree, manual steering bushings .....0.75

358048S Plug, differential drain .....6.25

358349S Clip, brake line to differential, 55-56 .....2.90



358575S Retainer clip, door panel.....0.35

359096S Bumper bolt for bumper guard and continental kit, 55-56 ...2.95

359279S Adapter fitting, transmission cooler line to radiator, 2 required .....2.95

359280S Transmission line clip on engine .....7.80

360002S Connector and sleeve, 2 way plug in .....2.75



370322S O-ring, gas filler neck to tank, 57 .....3.25

371426S Cylinder head freeze plug, 55 292.....2.75



372895S Tube seat, power steering ram, 57 .....6.75



372896S Tube seat, power steering ram, 55-56.....6.75

376301S Plug, extra engine dip stick tube hole.....1.40

379001S Stud, gas door .....0.35

379002S Stud, hood scoop .....0.35

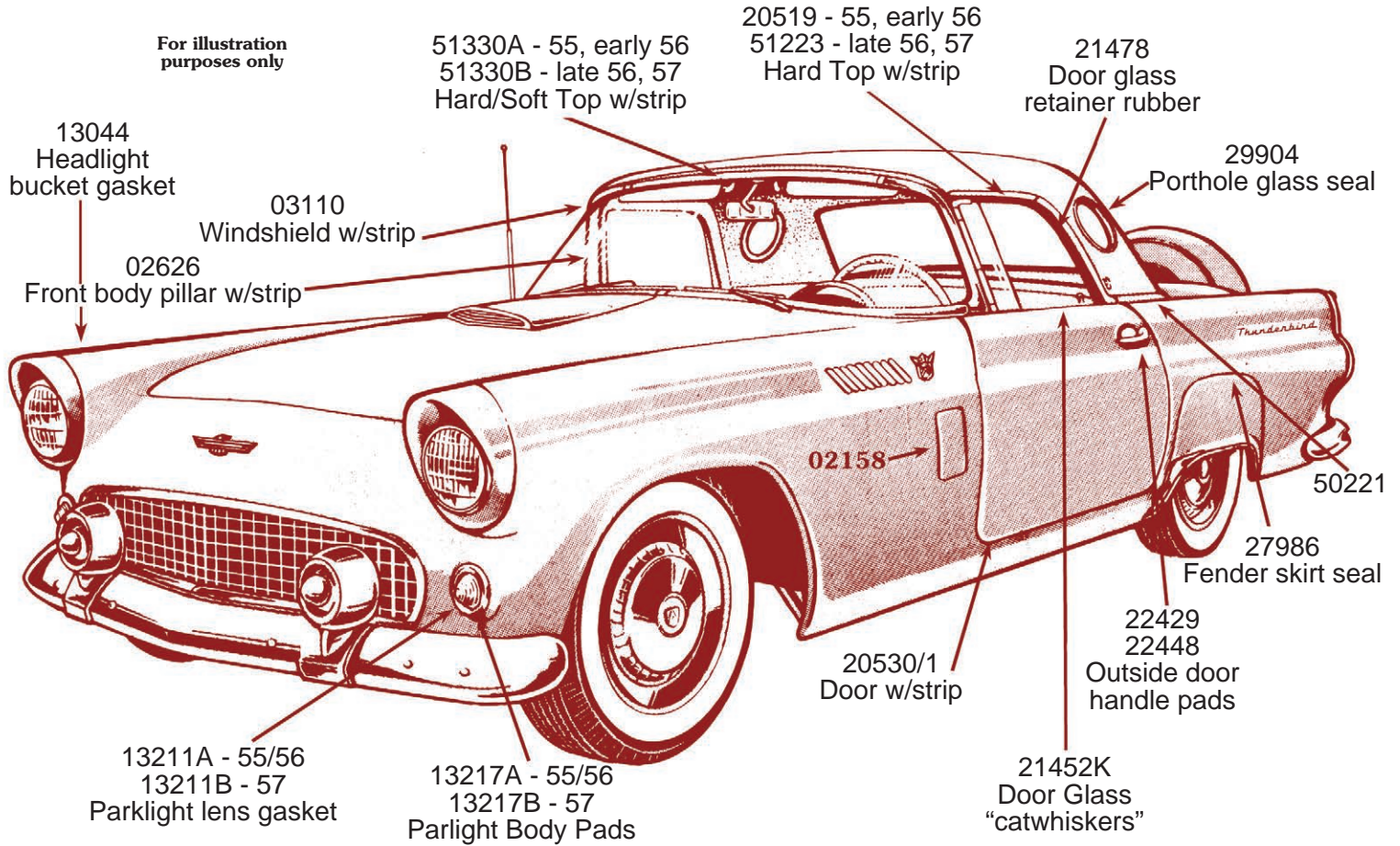
379003S Stud, vent door.....0.45

379004S Stud, rear clamp receptacle .....1.95

384345S Adjusting screw, rear door glass run .....5.20

700045A Grommet, battery hold down, set of 2 .....1.60

700045B Grommet, battery hold down, set of 3 .....2.40



**1955 SEALS, GASKETS & WEATHERSTRIPPING**

<b>3512</b>	Steering column grommet .....	8.75	<b>15533A</b>	Pad, back up light body, with back up lights .....	2.95
<b>3513A</b>	Steering column seal, automatic .....	5.00	<b>15533B</b>	Pad, back up light body, use with block off plates .....	3.25
<b>3513B</b>	Steering column seal, standard .....	5.00	<b>16240</b>	Seal, front fender apron shield.....	4.50
<b>3683B</b>	Insulator, steering column bracket, at dash, white .....	6.00	<b>16254</b>	Weatherstrip, front fender apron to frame, rear, pair .....	7.75
<b>5008K</b>	Bumper and clip kit, frame to body insulators, consists of 10 bumpers and 10 clips.....	21.25	<b>16740A</b>	Hood pad.....	5.95
<b>9080</b>	Grommet, fuel tank filler neck .....	8.00	<b>17541</b>	Washer, windshield wiper arm to pivot shaft, leather .....	1.20
<b>01605C</b>	Firewall grommet set, 6 pieces .....	11.50	<b>17696E</b>	Gasket, outside mirror, rubber .....	5.60
<b>02626</b>	Weatherstrip, front body pillar, RH.....	21.25	<b>18919A</b>	Pad, antenna mounting .....	2.85
<b>02627</b>	Weatherstrip, front body pillar, LH.....	21.25	<b>20330</b>	Weatherstrip, door pillar.....	2.95
<b>03110</b>	Weatherstrip, windshield .....	64.00	<b>20530</b>	Weatherstrip, door, RH.....	33.00
<b>06066</b>	Bumper and grommet set, glove box door .....	3.75	<b>20531</b>	Weatherstrip, door, LH.....	33.00
<b>11135AK</b>	Kit, floor and cowl plugs, 10 pieces.....	19.95	<b>20570</b>	Weatherstrip, door at belt.....	3.10
<b>11136K</b>	Kit, quarter panel drain plugs, 4 pieces .....	5.95	<b>21452K</b>	Kit, door glass "catwhiskers", with clips .....	42.95
<b>12128</b>	Plug, floor access hole .....	12.25	<b>21999</b>	Grommet, door lock knob.....	1.10
<b>12170</b>	Gasket, adjusting plate/governor access plate .....	2.50	<b>22058</b>	Shim, striker plate.....	1.90
<b>13044</b>	Gasket, headlight bucket to fender.....	3.45	<b>22428-9K</b>	Outside door handle pads, 4 pieces.....	4.75
<b>13211A</b>	Gasket, parking light lens .....	1.60	<b>27986</b>	Seal, fender skirt, rubber .....	8.95
<b>13217A</b>	Gasket, parking light body.....	4.35	<b>29904</b>	Seal, porthole glass, rubber .....	3.75
<b>13398A</b>	Bumper, trunk lid, pair.....	7.90	<b>42084</b>	Weatherstrip, back window glass .....	39.00
<b>13420A</b>	Pad, tail light mounting .....	5.75	<b>43625A</b>	Pad, trunk lock housing.....	3.85
<b>13461A</b>	Gasket, tail light lens.....	2.80	<b>43720</b>	Weatherstrip, trunk lid.....	23.95
<b>13568A</b>	Gasket, license light lens .....	1.65	<b>50534</b>	Deck plate gaskets, pair .....	2.25
<b>14651</b>	Grommet, inner apron wiring hole.....	3.95	<b>51500K</b>	Hard top weatherstrip kit, set.....	420.00
<b>15510A</b>	Gasket, back up light lens .....	1.60	<b>51502K</b>	Soft top weatherstrip kit, set.....	420.00
			<b>357170SA</b>	Gas door bumpers, pair .....	3.55

## 1956 SEALS, GASKETS & WEATHERSTRIPPING

<b>1352A</b>	Seal set, spare wheel stone guard.....	18.15	<b>15510B</b>	Gasket, back up light lens.....	1.60
<b>1354A</b>	Grommet set, spare wheel hinge.....	10.00	<b>15533C</b>	Pad, back up light body.....	2.15
<b>1455</b>	Bumper, Continental kit hinge.....	6.00	<b>16102A</b>	Splash shield seal.....	4.65
<b>3512</b>	Steering column grommet.....	8.75	<b>16240</b>	Seal, front fender apron shield.....	4.50
<b>3513A</b>	Steering column seal, automatic.....	5.00	<b>16254</b>	Weatherstrip, front fender apron to frame, rear, pair.....	7.75
<b>3513B</b>	Steering column seal, standard.....	5.00	<b>16740B</b>	Hood pad.....	7.95
<b>3683A</b>	Insulator, steering column bracket, at dash, black.....	6.00	<b>16758A</b>	Bumper, hood, with screws, 56, 4 pieces.....	5.50
<b>5008K</b>	Bumper and clip kit, frame to body insulators, consists of 10 bumpers and 10 clips.....	21.25	<b>17541</b>	Washer, windshield wiper arm to pivot shaft, leather.....	1.20
<b>9080</b>	Grommet, fuel tank filler neck.....	8.00	<b>17696E</b>	Gasket, outside mirror, rubber.....	5.60
<b>01605C</b>	Firewall grommet set, 6 pieces.....	11.50	<b>17808A</b>	Stone deflector, rear bumper, 56, 2 required.....	5.95
<b>02158</b>	Seal, vent door.....	9.50	<b>18919A</b>	Pad, antenna mounting.....	2.85
<b>02626</b>	Weatherstrip, front body pillar, RH.....	21.25	<b>20330</b>	Weatherstrip, door pillar.....	2.95
<b>02627</b>	Weatherstrip, front body pillar, LH.....	21.25	<b>20530</b>	Weatherstrip, door, RH.....	33.00
<b>03110</b>	Weatherstrip, windshield.....	64.00	<b>20531</b>	Weatherstrip, door, LH.....	33.00
<b>06066</b>	Bumper and grommet set, glove box door.....	3.75	<b>20570</b>	Weatherstrip, door at belt.....	3.10
<b>11135AK</b>	Kit, floor and cowl plugs, 10 pieces.....	19.95	<b>21452K</b>	Kit, door glass "catwhiskers", with clips.....	42.95
<b>11136K</b>	Kit, quarter panel drain plugs, 4 pieces.....	5.95	<b>21999</b>	Grommet, door lock knob.....	1.10
<b>12128</b>	Plug, floor access hole.....	12.25	<b>22058</b>	Shim, striker plate.....	1.90
<b>12170</b>	Gasket, FM adjusting plate/governor access plate.....	2.50	<b>22428-9K</b>	Outside door handle pads, 4 pieces.....	4.75
<b>13044</b>	Gasket, headlight bucket to fender.....	3.45	<b>27986</b>	Seal, fender skirt, rubber.....	8.95
<b>13211A</b>	Gasket, parking light lens.....	1.60	<b>29904</b>	Seal, porthole glass, rubber.....	3.75
<b>13217A</b>	Gasket, parking light body.....	4.35	<b>42084</b>	Weatherstrip, back window glass.....	39.00
<b>13398A</b>	Bumper, trunk lid, pair.....	7.90	<b>43625A</b>	Pad, trunk lock housing.....	3.85
<b>13420A</b>	Pad, tail light mounting.....	5.75	<b>43720</b>	Weatherstrip, trunk lid.....	23.95
<b>13461B</b>	Gasket, tail light lens.....	2.80	<b>50534</b>	Deck plate gaskets, pair.....	2.25
<b>13568A</b>	Gasket, license light lens.....	1.65	<b>51500K</b>	Hard top weatherstrip kit, set.....	420.00
<b>14651</b>	Grommet, inner apron wiring hole.....	3.95	<b>51502K</b>	Soft top weatherstrip kit, set.....	420.00
			<b>357170SA</b>	Gas door bumpers, pair.....	3.55

## 1957 SEALS, GASKETS & WEATHERSTRIPPING

<b>3512</b>	Steering column grommet.....	8.75	<b>16240</b>	Seal, front fender apron shield.....	4.50
<b>3513A</b>	Steering column seal, automatic.....	5.00	<b>16254</b>	Weatherstrip, front fender apron to frame, rear, pair.....	7.75
<b>3513B</b>	Steering column seal, standard.....	5.00	<b>16740B</b>	Hood pad.....	7.95
<b>3683A</b>	Insulator, steering column bracket, at dash, black.....	6.00	<b>16758B</b>	Bumper, hood, with screws, 57, 4 pieces.....	6.00
<b>5008K</b>	Bumper and clip kit, frame to body insulators, consists of 10 bumpers and 10 clips.....	21.25	<b>17541</b>	Washer, windshield wiper arm to pivot shaft, leather.....	1.20
<b>01605C</b>	Firewall grommet set, 6 pieces.....	11.50	<b>17696E</b>	Gasket, outside mirror, rubber.....	5.60
<b>02158</b>	Seal, vent door.....	9.50	<b>17808B</b>	Stone deflector, rear bumper, 57.....	15.00
<b>02626</b>	Weatherstrip, front body pillar, RH.....	21.25	<b>18919A</b>	Pad, antenna mounting.....	2.85
<b>02627</b>	Weatherstrip, front body pillar, LH.....	21.25	<b>20330</b>	Weatherstrip, door pillar.....	2.95
<b>03110</b>	Weatherstrip, windshield.....	64.00	<b>20530</b>	Weatherstrip, door, RH.....	33.00
<b>06066</b>	Bumper and grommet set, glove box door.....	3.75	<b>20531</b>	Weatherstrip, door, LH.....	33.00
<b>11135BK</b>	Kit, floor and cowl plugs, 11 pieces.....	21.95	<b>20570</b>	Weatherstrip, door at belt.....	3.10
<b>11136K</b>	Kit, quarter panel drain plugs, 4 pieces.....	5.95	<b>21452K</b>	Kit, door glass "catwhiskers", with clips.....	42.95
<b>12128</b>	Plug, floor access hole.....	12.25	<b>21999</b>	Grommet, door lock knob.....	1.10
<b>12170</b>	Gasket, FM adjusting plate/governor access plate.....	2.50	<b>22058</b>	Shim, striker plate.....	1.90
<b>13044</b>	Gasket, headlight bucket to fender.....	3.45	<b>22428-9K</b>	Outside door handle pads, 4 pieces.....	4.75
<b>13211B</b>	Gasket, parking light lens.....	1.80	<b>27986</b>	Seal, fender skirt, rubber.....	8.95
<b>13217B</b>	Gasket, parking light body.....	2.15	<b>29904</b>	Seal, porthole glass, rubber.....	3.75
<b>13398B</b>	Bumper, trunk lid, pair.....	3.50	<b>42084</b>	Weatherstrip, back window glass.....	39.00
<b>13420B</b>	Pad, tail light mounting.....	3.10	<b>43625B</b>	Pad, trunk lock housing.....	3.85
<b>13461C</b>	Gasket, tail light lens.....	3.50	<b>43720</b>	Weatherstrip, trunk lid.....	23.95
<b>13568B</b>	Gasket, license light lens.....	1.69	<b>50534</b>	Deck plate gaskets, pair.....	2.25
<b>14651</b>	Grommet, inner apron wiring hole.....	3.95	<b>51501K</b>	Hard top weatherstrip kit, set.....	420.00
<b>16102A</b>	Splash shield seal.....	4.65	<b>51502K</b>	Soft top weatherstrip kit, set.....	420.00
			<b>357170SB</b>	Gas door bumpers, pair.....	3.45

## GRILL KITS

<b>HWK5A</b>	8200A to 8156, 55-56, 24 pieces.....	5.95
<b>HWK5B</b>	17779 to 8156, 55-56, 24 pieces.....	6.00
<b>HWK80</b>	Grill corner moldings (8242/3) to grill, 6 pieces.....	1.25
<b>HWK125A</b>	Grill Kit; 55-56, grill to body & lower molding (8156), lower molding to front valance (17779), front valance to deflector panel (8310), front fenders and rear deflector panels (8104/5), and deflector panel access plate (8311) to deflector panel. Illustrated instructions included, 138 pieces.....	18.95
<b>HWK125B</b>	Grill Kit: 57, grill to body and front chrome valance (17202), chrome valance to deflector panel (8310), deflector panel to rear deflectors (8104/5), chrome valance to ends (17198/9), ends to fenders, deflector access plate (8311) to deflector panel. Illustrated instructions included, 130 pieces.....	18.95
<b>HWK126</b>	Round access plate (8311) to deflector panel (8310), 3 pieces.....	0.75
<b>HWK127A</b>	Upper grill molding (8419A) to body, 55-56, 18 pieces.....	10.00
<b>HWK127B</b>	Upper grill molding (8419B) to body, 57, 18 pieces.....	13.95
<b>HWK128</b>	Side grill moldings to body with clips, 10 pieces, 2 sides.....	3.30

## EXTERIOR KITS

<b>HWK6</b>	Nose panel emblem (8259) to body, 56-57, 2 pieces.....	0.75
<b>HWK8</b>	Windshield pillar weatherstrip (02626) to windshield posts, 8 pieces, 2 sides.....	1.75
<b>HWK10</b>	Lower window hinges to door glass, 8 pieces, 2 sides.....	1.45
<b>HWK13</b>	Headlight retaining rings to buckets, 6 pieces, 2 sides.....	1.30
<b>HWK14</b>	Headlight buckets to fenders, 30 pieces, 2 sides.....	5.95
<b>HWK15</b>	Headlight doors to fenders, 2 pieces, 2 sides.....	4.50
<b>HWK16</b>	Parklight lenses to bodies, 55-56, 6 pieces, 2 sides.....	4.50
<b>HWK17</b>	Parklight lenses to bodies, 57, 4 pieces, 2 sides.....	3.75
<b>HWK20</b>	Tail light lenses to bodies, 55, 6 pieces, 2 sides.....	4.50
<b>HWK21</b>	Tail light lenses to bodies, 56, 6 pieces, 2 sides.....	5.95
<b>HWK22</b>	Tail light lenses to bodies, 57, 8 pieces, 2 sides.....	7.50
<b>HWK23</b>	License plate light lens to bumper, 55-56, 4 pieces.....	0.90
<b>HWK24</b>	License plate light lens to bumper, 57, 4 pieces.....	1.05
<b>HWK25</b>	Back-up light lenses to bodies, 55, 6 pieces, 2 sides.....	5.95
<b>HWK26</b>	Back-up light lenses to bodies, 56, 4 pieces, 2 sides.....	4.95
<b>HWK27</b>	Back-up light block-off plates to body, 55, 6 pieces, 2 sides.....	1.25
<b>HWK28</b>	Thunderbird script to fender, 57, 5 pieces, 1 side.....	1.35
<b>HWK29</b>	Thunderbird script to fender, original style clips, 57, 5 pieces, 1 side.....	1.25
<b>HWK30</b>	Hashmark chevron (16228/9) to fender, 6 pieces, 1 side.....	1.25
<b>HWK31A</b>	Hood scoop grill to hood, 8 pieces.....	6.95
<b>HWK31B</b>	Hood scoop grill to hood, includes studs, 12 pieces.....	9.95
<b>HWK33</b>	Outside mirror with stud to door, 55, 4 pieces.....	0.75
<b>HWK34</b>	Outside mirror to door, 56-57, 2 pieces.....	0.75
<b>HWK51</b>	Thunderbird script to rear fender, 55-56, 4 pieces, 1 side.....	1.15
<b>HWK52</b>	Ford crest medallion to body, 55-56, 2 pieces, 1 side.....	0.50
<b>HWK54</b>	Fender skirt lower molding to skirt, 9 pieces, 1 side.....	1.50
<b>HWK55</b>	Fender skirt brackets to body, 8 pieces, 2 sides.....	1.65
<b>HWK91</b>	Gas door to hinge, includes studs, 6 pieces.....	2.65
<b>HWK100</b>	Windshield washer jets to cowl, 4 pieces, 2 sides.....	0.95
<b>HWK111A</b>	Rear top clamp receptacles (50552/3) to rear deck, 10 pieces, 2 sides.....	4.05
<b>HWK111B</b>	Rear top clamp receptacles (50552/3) to rear deck, includes studs, 12 pieces, 2 sides.....	4.65
<b>HWK112</b>	Side clamp receptacles (50502/3) to body, 12 pieces, 2 sides.....	2.65
<b>HWK113A</b>	Cowl vent doors to hinges & hinges to body, 16 pieces, 2 sides.....	5.95
<b>HWK113B</b>	Cowl vent doors to hinges & hinges to body, includes studs, 20 pieces, 2 sides.....	6.50
<b>HWK115A</b>	Gas door hinge to body, 55-56, 4 pieces.....	1.25
<b>HWK129</b>	V8 emblems to fenders, 4 pieces, 2 sides.....	1.15
<b>HWK131</b>	Outside side windshield moldings (03136/7) to windshield, frame, 12 pieces, 2 sides.....	1.95
<b>HWK132</b>	Back deck panel garnish moldings (40408/9) to body, 16 pieces.....	8.05
<b>HWK135A</b>	Front parking light bodies to bumper, 57, 12 pcs, 2 sides, 1/4"x20.....	2.35
<b>HWK135B</b>	Front parking light bodies to bumper, 57, 12 pcs, 2 sides, 1/4"x28.....	2.35
<b>HWK136</b>	Rear light bodies to rear quarters, 55/56, 6 pieces, 2 sides.....	1.15
<b>HWK137</b>	Quarter panel extensions to rear quarters, 57, 8 pieces, 2 sides.....	2.75
<b>HWK138</b>	Back-up housings to rear quarters, 56, 12 pieces, 2 sides.....	1.90
<b>HWK139</b>	Gas door to hinge, without studs, 3 pieces.....	0.75

## EXTERIOR KITS (CONT.)

<b>HWK36</b>	Front bumper to brackets, 55-56, 32 pieces, 2 sides.....	15.50
<b>HWK36XS</b>	Same as HWK36 except with show quality bumper bolts.....	27.50
<b>HWK37</b>	Front bumper to brackets, 57, 8 pieces, 2 sides.....	6.95
<b>HWK37XS</b>	Same as HWK37 except with show quality bumper bolts.....	9.95
<b>HWK38</b>	Front bumper brackets to frame, 55-56, 16 pieces, 2 sides.....	5.95
<b>HWK39</b>	Front bumper brackets to frame & body, 57, 64 pieces, 2 sides.....	12.95
<b>HWK40</b>	Front bumper tips to bumper, 57, 32 pieces, 2 sides.....	8.95
<b>HWK41</b>	Rear bumper to brackets, 55, 22 pieces, 2 sides.....	12.95
<b>HWK41XS</b>	Same as HWK41 except with show quality bumper bolts.....	21.95
<b>HWK42</b>	Rear bumper to brackets, 56, 24 pieces, 2 sides.....	12.95
<b>HWK42XS</b>	Same as HWK42 except with show quality bumper bolts.....	21.95
<b>HWK43</b>	Rear bumper to brackets, 57, 16 pieces, 2 sides.....	10.95
<b>HWK43XS</b>	Same as HWK43 except with show quality bumper bolts.....	14.95
<b>HWK44</b>	Rear bumper brackets to frame, 55, 16 pieces, 2 sides.....	5.95
<b>HWK45</b>	Rear bumper brackets to frame, 56, 56 pieces, 2 sides.....	14.95
<b>HWK46</b>	Rear bumper brackets to frame, 57, 36 pieces, 2 sides.....	14.95
<b>HWK47</b>	Rear bumper halves to each other, 57, 48 pieces.....	11.95
<b>HWK76</b>	Upper rear bumper to lower, 56, 18 pieces.....	4.95
<b>HWK101</b>	Gas neck bracket (9034B) to body, 57, 2 pieces.....	0.75
<b>HWK114</b>	Gas neck strap to body bracket (9034B), 57, 3 pieces.....	1.55
<b>HWK115B</b>	Gas door hinge to body, 57, 3 pieces.....	0.95
<b>HWK140</b>	Trunk handle to deck lid, 57, without wedge washers, 4 pieces.....	1.25
<b>HWK142</b>	Continental kit hinge brackets & latch assembly to body, 56, 24 pcs.....	5.50
<b>HWK272</b>	Bumper guard centers to guards, front or rear, 12 pieces, 2 sides.....	2.95
<b>HWK278</b>	Cross flags to body.....	0.50

## INTERIOR KITS

<b>IHWK55</b>	Interior hardware kit, 230 pieces.....	47.50
<b>IHWK56</b>	Interior hardware kit, 238 pieces.....	49.50
<b>IHWK57</b>	Interior hardware kit, 224 pieces.....	46.50
<b>HWK7</b>	Chrome side vent grilles to kick panels, 56-57, 8 pieces, 2 sides.....	1.55
<b>HWK9</b>	Inside windshield molding to windshield frame, excludes mirror & visor mounting, 17 pieces.....	3.70
<b>HWK11</b>	Visor brackets & clips to windshield moldings, 8 pieces, 2 sides.....	2.25
<b>HWK12</b>	Glove box to dash, 6 pieces.....	1.00
<b>HWK18</b>	Step plates (13208/9C) to body, cadmium, 16 pieces, 2 sides.....	2.45
<b>HWK19</b>	Step plates (13208/9C) to body, chrome, 16 pieces, 2 sides.....	2.65
<b>HWK35</b>	Inside mirror base to windshield frame, 5 pieces.....	1.25
<b>HWK69</b>	Seat backboard panel to seat, 48 pieces.....	7.25
<b>HWK70</b>	Quarter panel cardboards to quarter panels, 20 pieces, 2 sides.....	2.95
<b>HWK74</b>	Drop curtain to floor, 55-56, 6 pieces, 2 sides.....	8.95
<b>HWK75</b>	Drop curtain to floor, 57, 2 pieces, 2 sides.....	2.95
<b>HWK73</b>	Dash "L" chrome (04358/9) to dash, 4 pieces, 2 sides.....	0.95
<b>HWK79</b>	Instrument panel eyebrow stainless trim to dash, 57, 7 pieces.....	2.95
<b>HWK81</b>	Shifter pointer screw for automatic transmission.....	0.70
<b>HWK82</b>	Floor plug buttons for power seat cars, 2 pieces, 2 sides.....	1.30
<b>HWK90</b>	Accelerator pedal to floor, 2 pieces.....	0.75
<b>HWK94</b>	Dimmer switch plate to floor, 4 pieces.....	0.80
<b>HWK95</b>	Steering column seal plates to firewall, 9 pieces.....	1.90
<b>HWK97</b>	Power seat gear drive clevis pins & clips, 8 pieces, 2 motors.....	3.85
<b>HWK102</b>	Dash aluminum to dash, 6 pieces.....	1.34
<b>HWK103</b>	Glove box hinge to dash, 6 pieces.....	0.75
<b>HWK104</b>	Glove box striker to door, 4 pieces.....	1.00
<b>HWK105</b>	Glove box door guide arms to door, 8 pieces.....	1.95
<b>HWK106</b>	Glove box hinge to door, 6 pieces.....	1.55
<b>HWK107</b>	Glove box lock to dash, 2 pieces.....	0.85
<b>HWK108</b>	Glove box latch plastic guide to dash, 4 pieces.....	1.05
<b>HWK109</b>	Ash tray slide to dash & ash receptacle to tray face plate, 8 pieces.....	1.70
<b>HWK117A</b>	Radio speaker grill to dash, 4 pieces.....	0.95
<b>HWK117B</b>	Radio speaker grill to dash, includes studs, 8 pieces.....	6.95
<b>HWK119</b>	Radio support straps to radio & dash, 4 pieces.....	2.25
<b>HWK120</b>	Radio shafts to dash, 2 pieces.....	4.80
<b>HWK122</b>	Steering column collar to dash, 4 pieces.....	1.65
<b>HWK143</b>	Padded dash retainer straps to dash, 57, 12 pieces.....	1.90
<b>HWK147</b>	Air deflector scoops (01820) to body, 6 pieces, 2 sides.....	1.55
<b>HWK148</b>	Rectangular side vent spacer ducts, fenders to aprons 36 pieces, 2 sides.....	5.95
<b>HWK149</b>	Brake pedal to pedal arm, 3 pieces.....	1.05
<b>HWK150</b>	Brake pedal bracket to dash, firewall & cowl, 8 pieces.....	2.10
<b>HWK152</b>	Cowl braces to cowl & firewall, 22 pieces, 2 sides.....	3.50
<b>HWK153</b>	Hood release cable bracket to dash, 4 pieces.....	2.24

## INTERIOR KITS (CONT.)

<b>HWK154</b>	Hood release cable to dash bracket, 2 pieces.....	0.95
<b>HWK155</b>	Hood release cable bracket to firewall & cable, 6 pieces.....	1.60
<b>HWK156</b>	Emergency brake cable bracket to firewall, 2 pieces.....	0.75
<b>HWK157</b>	Emergency brake assembly to firewall, 4 pieces.....	1.00
<b>HWK158</b>	Accelerator pedal to floor & bracket to firewall, 4 pieces.....	2.25
<b>HWK159</b>	Transmission governor cover to floor, 4 pieces.....	1.15
<b>HWK160</b>	Dimmer switch to cover, 4 pieces.....	1.00
<b>HWK161</b>	Power seat drive brackets to floor, 8 pieces.....	3.35

## DOOR KITS

<b>HWK48A</b>	Door garnish plates (21144/5) to door, 4 pieces, 2 sides.....	1.25
<b>HWK49</b>	Door glass channel run to door pillar, 6 pieces, 1 side.....	1.00
<b>HWK50</b>	Striker plate to door, 3 pieces, 1 side.....	2.95
<b>HWK71A</b>	Door panel to door, 55-56, 39 pieces, 1 side.....	8.95
<b>HWK71B</b>	Door panels to doors, 55-56, 78 pieces, 2 sides.....	17.95
<b>HWK72A</b>	Door panel to door, 57, 32 pieces, 1 side.....	8.30
<b>HWK72B</b>	Door panels to doors, 57, 64 pieces, 2 sides.....	16.55
<b>HWK92</b>	Door glass stainless to lower channels, 6 pieces, 2 sides.....	1.55
<b>HWK110A</b>	Outside door handles to doors, 55-56, 8 pieces, 2 sides.....	3.35
<b>HWK110B</b>	Outside door handles to doors, 57, 8 pieces, 2 sides.....	3.35
<b>HWK162A</b>	Door garnish rails (20906/7) to doors, 8 pieces, 2 sides.....	1.80
<b>HWK162B</b>	Door garnish rails (20906/7) to doors, oversize, 8 pieces, 2 sides.....	2.30
<b>HWK163</b>	Door garnish moldings (21172) to garnish rails, 18 pieces, 2 sides.....	8.80
<b>HWK164</b>	Armrest bodies to door panels, 16 pieces, 2 sides.....	2.95
<b>HWK165</b>	Armrest wedge spacers (21134/5) to doors, 18 pieces, 2 sides.....	3.95
<b>HWK166</b>	Door weatherstrip spacers (20572/3) to doors, 57, 4 pieces, 2 sides.....	0.95
<b>HWK167</b>	Door access plates to doors, 24 pieces, 2 sides.....	3.95
<b>HWK168</b>	Door lock assemblies to doors, 10 pieces, 2 sides.....	3.95
<b>HWK169</b>	Upper window stops (21770) to doors, 12 pieces, 2 sides.....	3.15
<b>HWK170</b>	Door pillars to doors, 8 pieces, 2 sides.....	1.80
<b>HWK171</b>	Door hinge to door & body, 7 pieces, 1 hinge.....	3.75
<b>HWK172</b>	Power window wiring protector to door, 2 pieces, 1 side.....	0.45
<b>HWK173</b>	Door panel channels (21032/3) to doors, 8 pieces, 2 sides.....	1.50

## HARD TOP KITS

<b>HWK53</b>	Inside porthole rings to outside rings, 8 pieces, 2 sides.....	1.95
<b>HWK57</b>	Hard top clamps to top, 24 pieces, all clamps.....	8.95
<b>HWK63</b>	Hard top tack strip to top, 45 pieces.....	7.75
<b>HWK64</b>	Hard top weatherstrip to top, 47 pieces.....	7.95
<b>HWK65</b>	Hard top stainless trim to top, 20 pieces.....	2.95
<b>HWK67</b>	Hard top wire-on trim to top, 6 pieces.....	1.20
<b>HWK174</b>	Hard top front clamps to top, 4 pieces, 2 clamps.....	2.10
<b>HWK175</b>	Hard top side clamps to top, 4 pieces, 2 clamps.....	2.25
<b>HWK176</b>	Hard top rear clamp plates to top, 16 pieces, 2 sides.....	3.85

## SOFT TOP KITS

<b>HWK56</b>	Soft top clamps to top, 40 pieces, all clamps.....	8.95
<b>HWK58</b>	Chrome soft top rivet pins with clips+washer, 18 pieces, 2 sides.....	29.95
<b>HWK59A</b>	Chrome soft top pins, removable type with retainers, early type top, 24 pieces.....	52.00
<b>HWK59B</b>	Early soft top frame kit; chrome pins, bolts, nuts, washers, acorn nuts and sleeves. Does not include HWK56 or HWK58, 82 pieces, 2 sides.....	59.95
<b>HWK60A</b>	Same as HWK59A except for later tops, chrome pins and retainers, 32 pieces.....	65.00
<b>HWK60B</b>	Late soft top frame kit; chrome pins, bolts, nuts, washers, acorn nut and sleeves. Does not include HWK56 or HWK58, 88 pieces, 2 sides.....	74.95
<b>HWK177</b>	Soft top front header center casting to end castings, 12 pieces.....	2.10
<b>HWK178</b>	Soft top front header casting to front side rails, 16 pieces, 2 sides.....	5.25
<b>HWK179</b>	Soft top center bows to side rails, 16 pieces, 2 sides.....	5.25
<b>HWK180</b>	Soft top webbing plates to #2 bow, 4 pieces, 2 sides.....	1.35
<b>HWK181</b>	Soft top front stainless trim to frame, 20 pieces.....	9.50
<b>HWK182</b>	Soft top outside wire-on tips to top, 4 pieces, 2 sides.....	1.00
<b>HWK184</b>	Soft top front clamps to frame, 8 pieces, 2 clamps.....	3.85

## SOFT TOP KITS (CONT.)

<b>HWK185</b>	Soft top side clamps to frame, 4 pieces, 2 clamps.....	3.95
<b>HWK186</b>	Soft top rear clamp plates to frame, 8 pieces, 2 sides.....	3.95
<b>HWK62</b>	Soft top rear bow tack strip to frame, 90 pieces.....	7.75
<b>HWK66A</b>	Soft top weatherstrip to frame with T-Bolts, 96 pieces, 2 sides.....	17.95
<b>HWK66B</b>	Soft top weatherstrip to frame w/o T-Bolts, 84 pieces, 2 sides.....	11.95
<b>HWK68</b>	Soft top swing-arm feet including special adjusting bolts, 34 pieces, 2 sides.....	17.95
<b>HWK187</b>	Swing-arm bar feet halves to each other, 14 pieces-2 sides.....	3.80
<b>HWK188</b>	Soft top swing-arm bar feet to floor, 12 pieces, 2 sides.....	1.95

## ENGINE COMPARTMENT KITS

<b>HWK32</b>	Hood pad to cowl drive nails, 8 pieces.....	2.50
<b>HWK77</b>	Battery hold down washers and wingnuts, 2 bolt type, 6 pieces.....	4.65
<b>HWK78</b>	Battery hold down washers and wingnuts, 3 bolt type, 56/57, 9 pieces.....	5.65
<b>HWK84</b>	Radiator, mounting bolts to "U" brace, 4 pieces, 2 sides.....	2.95
<b>HWK93</b>	Lower fan shroud bracket to lower radiator tank bracket, 8 pieces.....	2.50
<b>HWK96</b>	Hood lock catch to firewall, original style, 8 pieces, 2 sides.....	2.30
<b>HWK98</b>	Water pump plug for cars without power steering & or heater.....	1.30
<b>HWK189</b>	Hood to hood hinges, 12 pieces, 2 sides.....	3.80
<b>HWK190</b>	Hood hinges to nose panel brace, 12 pieces, 2 sides.....	5.30
<b>HWK191</b>	Hood latch pin brackets to hood, 12 pieces, 2 sides.....	1.95
<b>HWK192</b>	Hood latch pins to hood brackets, 2 pieces, 2 sides.....	0.95
<b>HWK193</b>	Radiator "U" support brace to body, 18 pieces.....	2.40
<b>HWK194A</b>	Radiator to radiator support brace, 55, 12 pieces.....	2.30
<b>HWK194B</b>	Radiator to radiator support brace, 56/57, 4 pieces.....	3.95
<b>HWK195A</b>	Radiator shroud halves to each other & to radiator, 55. Does not include HWK93, 40 pieces, 2 sides.....	6.95
<b>HWK195B</b>	Radiator shroud halves to each other and to radiator, 56/57. Does not include HWK93, 19 pieces, 2 sides.....	7.70
<b>HWK197</b>	Horn brackets to body, 8 pieces, 2 sides.....	2.95
<b>HWK198</b>	Battery tray to inner fender & firewall, 12 pieces.....	3.95
<b>HWK199A</b>	Battery heat shield to battery tray, original tray, 55, 4 pieces.....	0.95
<b>HWK199B</b>	Battery heat shield to battery tray, reproduction tray, 55, 6 pieces.....	0.95
<b>HWK200A</b>	Battery heat shield to battery tray, original tray, 56-57, 4 pieces.....	1.05
<b>HWK200B</b>	Battery heat shield to battery tray, reproduction tray, 56-57, 8 pieces.....	1.95
<b>HWK201</b>	Master cylinder to firewall, 8 pieces.....	2.25
<b>HWK202A</b>	Power brake booster to inner fender, 55, 12 pieces.....	1.95
<b>HWK202B</b>	Power brake booster to inner fender, 56-57, 16 pieces.....	2.95
<b>HWK203</b>	Power brake booster to bracket, 4 pieces.....	1.05
<b>HWK204</b>	Ground strap, engine to firewall & battery cable to engine, 55-56, 5 pieces.....	1.95
<b>HWK205</b>	Ground strap, engine to firewall & battery cable to firewall, 57, 5 pieces.....	1.95
<b>HWK206</b>	Fresh air cable brackets (01822) to inner fenders & clip to bracket, 6 pieces, 2 sides.....	0.95
<b>HWK207</b>	Windshield washer bag bracket & lower bag shield to inner fender, 4 pieces.....	1.80
<b>HWK208</b>	Starter solenoid to firewall, 2 pieces.....	0.95
<b>HWK209</b>	Voltage regulator to inner fender, 3 pieces.....	0.90
<b>HWK210</b>	Heater regulator assembly to inner fender, 6 pieces.....	1.75
<b>HWK211</b>	Heater blower round support plate to housing, 5 pieces.....	0.70
<b>HWK212</b>	Heater core to housing and housing to firewall, 10 pieces.....	1.75
<b>HWK213</b>	Heater hose bracket (18481) to inner fender, 2 pieces.....	0.75
<b>HWK214A</b>	Wiring junction blocks to inner fenders, 55-56, 4 pieces, 2 sides.....	1.40
<b>HWK214B</b>	Wiring junction block to inner fender, 57, 2 pieces.....	0.75
<b>HWK215</b>	Oil pan to block, 44 pieces.....	7.95
<b>HWK216</b>	Timing case cover to engine. Does not include HWK217A or HWK217B, 16 pieces.....	6.95
<b>HWK217A</b>	Water pump to engine with power steering, 8 pieces.....	4.25
<b>HWK217B</b>	Water pump to engine with manual steering, 8 pieces.....	3.95
<b>HWK218</b>	Vent block-off cover (6869) to engine, 4 pieces.....	1.45
<b>HWK219</b>	Road draft tube to engine, 3 pieces.....	0.95
<b>HWK220</b>	Valley cover to engine, 4 pieces.....	2.10
<b>HWK221</b>	Intake manifold carburetor studs, 4 pieces.....	6.95
<b>HWK222A</b>	Intake manifold to engine. Does not include 4 center studs or cupped washers, 16 pieces.....	6.25
<b>HWK222B</b>	Same as A except has 4 studs, 20 pieces.....	9.95
<b>HWK223</b>	Carburetor to intake manifold, nuts & washers only, 55-56, 8 pieces.....	1.95

**ENGINE COMPARTMENT KITS (CONT.)**

<b>HWK224</b>	Carburetor to intake manifold, nuts & washers only, 57, 8 pieces	1.95
<b>HWK225</b>	Thermostat housing (8592) to manifold & by-pass tube to water pump, 8 pieces	1.75
<b>HWK226</b>	Fuel pump to timing case cover, 4 pieces	1.50
<b>HWK227</b>	Starter motor to bell housing, 6 pieces	1.30
<b>HWK228</b>	Aluminum valve cover complete hardware kit; consists of long thread studs, chrome washers & acorn nuts, 12 pieces, 2 sides	19.95
• • NOTE • • For complete installation kit including gaskets and grommets see 6A506 and 6A507		
<b>HWK229</b>	Aluminum valve cover acorn nuts, 4 pieces, 2 sides	10.35
<b>HWK230</b>	Aluminum valve cover chrome washers, 4 pieces, 2 sides	4.00
<b>HWK231</b>	Aluminum valve cover chrome washers & acorn nuts, 8 pieces, 2 sides	12.75
<b>HWK232</b>	Coil bracket to intake manifold, 4 pieces	1.15
<b>HWK233</b>	Spark plug wire brackets to engine, 8 pieces	2.50
<b>HWK234</b>	Fan to water pump, 8 pieces	2.30
<b>HWK235</b>	Front motor mount to engine bracket, 10 pieces	4.95
<b>HWK236</b>	Engine steady rest brackets (6954/5) to engine, 8 pieces, 2 sides, does 3 brackets	3.25
<b>HWK237A</b>	Generator to brackets, with stamped steel end, plate, 11 pieces, does 3 brackets	4.50
<b>HWK237B</b>	Generator to brackets, with cast end plate, 11 pieces	4.95
<b>HWK238A</b>	Exhaust manifold to head, right, 14 pieces, RH all, LH manual steering	9.95
<b>HWK238B</b>	Exhaust manifold to head, left, 14 pieces, power steering	9.95
<b>HWK239A</b>	Exhaust manifolds to heads, manual steering, 28 pieces, 2 sides	19.95
<b>HWK239B</b>	Exhaust manifolds to heads, power steering, 28 pieces, 2 sides	19.95
<b>HWK240A</b>	Exhaust manifold studs & brass nuts to header pipes, RH, 6 pieces, 1 side	9.95
<b>HWK240B</b>	Exhaust manifold studs & brass nuts to header pipes, LH, 6 pieces, 1 side	8.95
<b>HWK241</b>	Accelerator bellcrank to intake manifold, 4 pieces	1.10
<b>HWK242</b>	Accelerator steady bracket to engine block, 4 pieces	1.10
<b>HWK244</b>	Weatherstrip and seal staples, 50 pieces	3.50

**UNDERCARRIAGE KITS**

<b>HWK121</b>	Lower splash shields (16102/3) to inner fender panels, 12 pieces, 2 sides	7.95
<b>HWK243</b>	Apron shields (16050) to inner fender panels, 8 pieces, 2 sides	2.95
<b>HWK244</b>	Weatherstrip & seal staples, 50 pieces	3.50
<b>HWK245</b>	Fender support braces, fenders to aprons, 12 pieces, 2 sides	4.95
<b>HWK246A</b>	Steel air ducts to scoops & aprons, 63 pieces, 2 sides	12.50
<b>HWK246B</b>	Fiberglass air ducts to scoops & aprons, 116 pieces, 2 sides	10.50
<b>HWK247</b>	Door post splash shields to front fenders, aprons, upper seals & air duct studs, 30 pieces, 2 sides	5.95

**UNDERCARRIAGE KITS (CONT.)**

<b>HWK1</b>	Tie rods & ends to drag link & spindle arms, 8 pieces, 2 sides	4.40
<b>HWK2</b>	Exhaust deflectors to bumpers & brackets, 56, 22 pieces, 2 sides	7.50
<b>HWK3</b>	Exhaust deflectors to bumper, 57, 12 pieces, 2 sides	13.95
<b>HWK87</b>	Gas tank gauge to gas tank, 55-56, 6 pieces	1.95
<b>HWK248</b>	Upper ball joints to upper A arms, 16 pieces, 2 sides	6.95
<b>HWK249</b>	Lower ball joints to lower A arms, 12 pieces, 2 sides	7.70
<b>HWK250A</b>	Idler arm bracket to frame, power steering, 9 pieces	4.50
<b>HWK250B</b>	Idler arm bracket to frame, manual steering, 6 pieces	3.95
<b>HWK251</b>	Idler arm to bushings, power steering, 6 pieces	2.75
<b>HWK252</b>	Steering box to frame, 6 pieces	4.95
<b>HWK253</b>	Stabilizer arm brackets (5486) to frame, 12 pieces, 2 sides	2.95
<b>HWK254</b>	Front shock lower mounting plates to lower A frames, 8 pieces, 2 sides	2.75
<b>HWK255</b>	A frame arm bumpers to A frames, 8 pieces, 2 sides	1.95
<b>HWK257</b>	Upper A frame arms to frame, 12 pieces, 2 sides	18.95
<b>HWK260</b>	Wheel cylinders to backing plates, 16 pieces, all 4	2.95
<b>HWK261B</b>	Backing plates to axle housing, 57, 16 pieces, 2 sides	40.00
<b>HWK262</b>	Rear brake pipe connector to axle housing, 55-56, 4 pieces	1.75
<b>HWK263</b>	Rear spring U bolt nuts, 4 pieces, 1 side	3.00
<b>HWK264</b>	automatic transmission pan to case, 28 pieces	5.95
<b>HWK265</b>	Transmission mount to frame, 6 pieces	3.95
<b>HWK266</b>	Transmission cross brace to frame, 55-56, 18 pieces	4.50
<b>HWK267A</b>	Transmission mount to frame & transmission, automatic, 12 pieces	5.50
<b>HWK267B</b>	Transmission mount to frame & transmission, standard, 12 pieces	5.95
<b>HWK268</b>	Rear axle housing cover, 55-56, 20 pieces	4.95
<b>HWK269</b>	Differential 3rd member to axle housing, 57, 10 pieces	14.70
<b>HWK270</b>	Universal joint U bolt nuts & washers, 8 pieces	1.25
<b>HWK271</b>	Rear exhaust hangers (5261A) to bumper guards, 55, 12 pieces, 2 sides	1.75
<b>HWK277</b>	Power steering control valve to pitman arm	0.60

**TRUNK KITS**

<b>HWK86</b>	Trunk hinges to deck lid, 57, 4 pieces, 2 sides	2.00
<b>HWK99</b>	Spare tire hold down clevis pins, washers & clips, 57, 6 pieces	1.90
<b>HWK116A</b>	Trunk lock assembly to trunk lid, 55-56, 6 pieces	1.85
<b>HWK116B</b>	Trunk lock assembly to trunk lid, 57, 8 pieces	2.45
<b>HWK273</b>	Trunk hinges to deck lid, 55-56, 12 pieces, 2 sides	2.95
<b>HWK275</b>	Trunk side cardboards to body, 57, 13 pieces, 2 sides	2.95
<b>HWK276</b>	Trunk divider board to body, 55, 5 pieces	1.75

**FORD PART NUMBERING SYSTEM**

<b>1,000</b>   <b>Wheels</b>	<b>13,000</b>   <b>Lights &amp; Lenses</b>
<b>2,000</b>   <b>Brakes</b>	<b>14,000</b>   <b>Wiring &amp; Switches</b>
<b>3,000</b>   <b>Steering &amp; Suspension</b>	<b>15,000</b>   <b>Back-up Lights &amp; Clocks</b>
<b>4,000</b>   <b>Rear End</b>	<b>16,000</b>   <b>Front Sheet Metal &amp; Ornaments</b>
<b>5,000</b>   <b>Exhaust</b>	<b>17,000</b>   <b>Bumpers, Speedometers, Tachometers &amp; Wipers</b>
<b>6,000</b>   <b>Engine</b>	<b>18,000</b>   <b>Heater, Radio &amp; Shocks</b>
<b>7,000</b>   <b>Transmission</b>	<b>19,000</b>   <b>Air Conditioning</b>
<b>8,000</b>   <b>Grill &amp; Cooling System</b>	<b>20,000</b>   <b>Doors, Quarter Panels &amp; Windows</b>
<b>9,000</b>   <b>Fuel System</b>	<b>30,000</b>   <b>Portholes &amp; Quarter Windows</b>
<b>0</b>   <b>Dash &amp; Windshield</b>	<b>40,000</b>   <b>Trunk &amp; Back Glass</b>
<b>10,000</b>   <b>Generator</b>	<b>50,000</b>   <b>Roof</b>
<b>11,000</b>   <b>Starter</b>	<b>60,000</b>   <b>Seats</b>
<b>12,000</b>   <b>Distributor</b>	

# Index

**A**

Accelerator Linkage ..... 46  
 Accessories ..... 11-12  
 Air  
     Cleaners ..... 45  
     Conditioning ..... 73  
     Duct ..... 47  
     Scoop ..... 47  
     Vents ..... 47  
 Alternator ..... 51  
 Antenna ..... 72  
 Arm  
     Idler ..... 24  
     Rocker ..... 34  
     Windshield Wiper ..... 66  
 Arm Rest ..... 76

**B**

Back Up Light ..... 61  
 Ball Joints ..... 23  
 Battery  
     Cables ..... 57  
     Heat Shield ..... 51  
     Hold Down Kit ..... 51  
     Tray ..... 51  
 Bearing  
     Clutch ..... 39  
     Front Wheel ..... 18  
     Generator ..... 51  
     Rear Axle ..... 18  
     Steering Gear Box ..... 25  
 Belts ..... 42  
 Books and Manuals ..... 9-10  
 Brake  
     Cable ..... 22  
     Copper Washer ..... 21  
     Drums ..... 18  
     Hose ..... 21, 22  
     Light Switch ..... 56  
     Master Cylinder ..... 21  
     Shoes, Front ..... 19  
     Shoes, Rear ..... 21  
 Bulbs  
     Headlight ..... 55-56  
     Lights ..... 56-57  
 Bumpers, Rubber  
     Frame to Body Insulator ..... 31-32  
     Front Suspension ..... 23-24  
     Gas Door ..... 87-89  
     Glove Box ..... 50  
     Hood ..... 64  
     Rear Axle ..... 32  
     Trunk Lid ..... 56, 88, 89  
 Bumper, Steel  
     Front & Rear ..... 68-71  
 Bushing  
     Brake Pedal ..... 22  
     Front Suspension ..... 23  
     Idler Arm ..... 24  
     Master Cylinder Rod ..... 22  
     Pr. Steering Cyl. Mounting ..... 25  
     Rear Spring ..... 32  
     Shock Mounting ..... 70  
     Trans. Extension ..... 37  
     Windwing Hinge ..... 48

**C**

Cable  
     Battery ..... 57  
     Heater Control ..... 71  
     Hood Latch ..... 64  
     Speedometer ..... 39, 65  
     Starter ..... 59  
     Tachometer ..... 65  
     Vent Control ..... 47  
 Cap  
     Distributor ..... 53  
     Gas ..... 42  
     Master Cylinder ..... 21  
     Oil ..... 36  
     Power Steering Filler ..... 23  
     Radiator ..... 40  
 Carburetor ..... 45  
 Car Cover ..... 11  
 Choke Tubes ..... 46  
 Cigarette Lighter ..... 61  
 Clamp  
     Battery Hold Down ..... 51  
     Exhaust Pipe ..... 31  
     Hard Top ..... 80, 81  
 Clocks ..... 61  
 Clutch ..... 39  
 Coil, Ignition ..... 53  
 Continental Kit ..... 19  
 Control Valve, Power Steering ..... 28  
 Convertible Top  
     Assembly ..... 82  
     Clamps ..... 80  
     Recovering Kits ..... 84  
     Weatherstripping ..... 83  
     Wire-On Tips ..... 82  
 Cover  
     Firewall ..... 48  
     Seat Covers ..... 2-6, 4-8  
     Spare Tire (Con't Kit) ..... 18  
     Spare Tire (Trunk Mat) ..... 79  
     Speedometer Dome ..... 65

**D**

Dash  
     Aluminum Trim ..... 3, 5, 7, 49  
     Cover ..... 2, 4  
     Padded ..... 49  
 Decals ..... 17  
 Deck Lid Protector ..... 12  
 Differential ..... 29  
 Dipstick  
     Engine, Oil ..... 36  
     Transmission ..... 37  
     Tube, Engine ..... 36  
     Tube, Trans. .... 38  
 Distributor ..... 53, 54  
 Dome, Speedometer ..... 65  
 Door  
     Aluminum Trim ..... 3, 5, 7, 74  
     Check Stop Arm ..... 76  
     Gas Filler ..... 78  
     Glass ..... 74  
     Handles ..... 75  
     Hinge ..... 76  
     Lock Striker ..... 75  
     Weatherstrip ..... 73  
 Drag Link ..... 24  
 Drain Cock, Radiator ..... 40

**E**

Emblem  
     Dash w/o Pad ..... 50  
     Nose ..... 41  
     V-8, Glove Box ..... 50  
 Engine Paint ..... 37  
 Engine Parts ..... 33-37  
 Exhaust Deflector ..... 31  
 Exhaust Manifold ..... 44

**F**

Faceplate  
     Clock ..... 65  
     Heater ..... 72  
     Speedometer ..... 65  
     Tachometer ..... 65  
 Fan  
     Belt ..... 42  
     Heater ..... 71  
     Radiator ..... 42  
     Shroud ..... 40  
     Spacer ..... 42  
 Fender  
     Cover ..... 11  
     Front ..... 63-64  
     Skirts ..... 77  
     Stone Guards ..... 77  
 Filter  
     Air Cleaner ..... 45  
     Fuel ..... 42  
     Oil ..... 36  
     Power Steering ..... 25  
     Transmission ..... 37  
 Firewall Cover ..... 46, 48  
 Fitting, Zerk ..... 86  
 Flasher, Turn Signal ..... 56  
 Floor Mats ..... 11  
 Flywheel ..... 33  
 Front Grill ..... 41

**Fuel**

Carburetor ..... 45  
 Filter ..... 42  
 Intake Manifold ..... 44  
 Lines ..... 42, 44  
 Pump ..... 44  
 Sending Unit ..... 44  
 Tank ..... 42  
 Tank Straps ..... 42  
 Fuses ..... 59

**G**

Garnish  
     Door Rail ..... 74  
 Gasket  
     Air Cleaner ..... 45  
     Air Vent Ducts ..... 47  
     Antenna ..... 73  
     Back Up Lens ..... 61  
     Carburetor ..... 44  
     Choke ..... 46  
     Distributor Base ..... 54  
     Engine Oil Pan ..... 34  
     Engine Overhaul Kit ..... 33  
     Exhaust Manifold ..... 44  
     FM Trans. Oil Pan ..... 38  
     Fuel Filter ..... 44  
     Fuel Pump ..... 44  
     Head ..... 33  
     Headlite Bucket ..... 55  
     Heater, Set ..... 72

License Light Lens ..... 57  
 Master Cyl. Cap ..... 21  
 Oil Filter ..... 36  
 Oil Pump ..... 34  
 Parking Lamp Lens ..... 55  
 Power Window Switch ..... 60  
 Rear Axle Cover ..... 29  
 Tail Lamp Lens ..... 56  
 Transmission, Set ..... 37  
 Valve Cover ..... 33, 34  
 Water Pump ..... 42  
 Gauges ..... 44, 52

Gear Box  
     Steering ..... 24  
 Gear Shift  
     Boot ..... 38  
     Knobs ..... 38  
 Generator ..... 51  
 Glass  
     Back Window ..... 78  
     Door Window ..... 74  
     Porthole Window ..... 80  
     Windshield ..... 48  
     Windwing ..... 48  
 Glove Box ..... 50  
 Grill, Front ..... 41

**H**

Handle  
     Door ..... 75  
     Trunk ..... 78  
     Window Regulator ..... 76  
 Hard Top  
     Back Window Glass ..... 78  
     Clamps ..... 80  
     Headliner ..... 2, 4, 6  
     Headliner Bows ..... 83  
     Porthole Window ..... 80  
     Weatherstripping ..... 88, 89  
 Hardware Kits ..... 90-92  
 Harmonic Balancer ..... 33  
 Headlamps ..... 55  
 Headliner ..... 83  
 Headliner Bows ..... 82  
 Heater  
     Assembly ..... 71  
     Blower Motor ..... 71  
     Core ..... 71  
     Defroster Hose ..... 72  
     Ducts ..... 71  
     Gasket Set ..... 72  
     Hose ..... 71  
     Knob ..... 71  
     Switch ..... 72  
 Heat Riser Valve ..... 44  
 Hinge  
     Cowl Vent Door ..... 47  
     Door ..... 76  
     Gas Door ..... 78  
     Windwing ..... 48  
 Hood  
     Anti-rattle Padding ..... 64  
     Bumpers ..... 64  
     Grill ..... 64  
     Insulation Kits ..... 8  
     Seal ..... 64  
 Horn ..... 57  
 Horn Ring Assembly ..... 58, 59



- Hose  
*Brake* ..... 21-22  
*Clamp Kit* ..... 72  
*Defroster* ..... 72  
*Heater* ..... 71  
*Power Steering* ..... 28  
*Radiator* ..... 41  
*Vacuum* ..... 66  
*Windshield Washer* ..... 66
- Hubcaps ..... 18
- I**  
Intake Manifold ..... 44  
Interior Trim ..... 2-13
- J**  
Jack ..... 64-66  
Joint  
*Ball* ..... 23-25  
*Universal* ..... 29
- K**  
Key Blanks ..... 12, 75  
Knob  
*Door Lock* ..... 74  
*Gear Shift* ..... 38  
*Headlight* ..... 52  
*Heater* ..... 71  
*Lighter* ..... 61  
*Radio* ..... 73  
*Side Vent* ..... 47
- L**  
Leaf Springs ..... 32  
Lens  
*Back Up Light* ..... 61  
*Instrument Glass* ..... 52, 65  
*License Plate Lamp* ..... 57  
*Map Light* ..... 57  
*Park Light* ..... 55  
*Speedometer (Glass)* ..... 65  
*Tail Light* ..... 56  
*Trans. Selector* ..... 39, 61
- Lever, Turn Signal ..... 56  
Licence Plate Lamp ..... 56, 57  
Light Bulbs ..... 56  
Literature ..... 9-10  
Lithographs ..... 13  
Lock  
*Bezel, Glove Box* ..... 50  
*Door* ..... 74  
*Ignition* ..... 52  
*Transmission* ..... 11  
*Trunk* ..... 79
- Lug Wrench ..... 64
- M**  
Map Light ..... 57  
Master Cylinder ..... 21  
Mats  
*Floor* ..... 11  
*Trunk* ..... 79
- Medallion  
*Hard Top* ..... 80  
*Horn Ring* ..... 58, 59  
*Wheel Cover* ..... 18
- Mirrors ..... 66  
Motor  
*Engine Mounts* ..... 33  
*Heater Blower* ..... 71  
*Power Seat* ..... 60  
*Power Window* ..... 60  
*Windshield Wiper* ..... 66
- Motor Mounts ..... 33  
Mufflers ..... 31
- N**  
Neutral Safety Switch ..... 38
- O**  
Oil  
*Caps* ..... 36  
*Dipsticks* ..... 36  
*Filter* ..... 36  
*Pan Plug* ..... 34  
*Pumps* ..... 34
- Order Form ..... 96  
Ornament  
*Crest, Front Fender* ..... 77  
*Cross Flags, Gas Door* ..... 78  
*Hashmarks* ..... 63  
*Horn Ring Medallion* ..... 58, 59  
*Medallion Hard Top* ..... 80  
*Nose Emblem* ..... 41  
*Script, Front Fender* ..... 63  
*Script, Rear Fender* ..... 76  
*V-8, Front Fender* ..... 63  
*V-8, Glove Box* ..... 50  
*Wheel Cover Medallion* ..... 18
- Owners Manuals ..... 9
- P**  
Pad  
*Brake Pedal* ..... 22  
*Clutch Pedal* ..... 22
- Padded Dash ..... 6, 49  
Paint, Engine ..... 37  
Parking Brake Cables ..... 22  
Parklites ..... 55  
Patch Panels ..... 14, 15  
Pedal, Accelerator ..... 45
- Plate  
*Clutch Pressure* ..... 39  
*Door Lock Striker* ..... 75
- Plug  
*Differential* ..... 86  
*Floorpan* ..... 52  
*Freeze* ..... 33  
*Gas Tank* ..... 86  
*Oil Pan* ..... 34  
*Plug Wire Sets* ..... 54  
*Spark Plugs* ..... 54
- Porthole Window ..... 80  
Power Brake Booster ..... 19  
Power Seat Motor ..... 60
- Power Steering  
*Control Valve* ..... 28  
*Pump* ..... 25  
*Ram Cylinder* ..... 25
- Power Window  
*Motor* ..... 60  
*Switches* ..... 59
- Pulley  
*Crankshaft* ..... 33  
*Generator* ..... 51  
*Parking Brake Cable* ..... 23
- Pump  
*Fuel* ..... 44  
*Oil* ..... 34  
*Power Steering* ..... 25  
*Water* ..... 42  
*Windshield Washer* ..... 66
- Q**  
QuietRide ..... 8
- R**  
Radiator ..... 40  
Radiator Hoses ..... 41  
Radio ..... 16  
*Antenna* ..... 72  
*Ram Cylinders* ..... 25  
*Rear View Mirror* ..... 66
- Rebuild Kits  
*Carburetor* ..... 45  
*Control Valve* ..... 25  
*Engine* ..... 33-37  
*Generator* ..... 51  
*Master Cylinder* ..... 19  
*Power Steering Pump* ..... 25  
*Ram Cylinder* ..... 28  
*Steering Box* ..... 25  
*Suspension* ..... 24  
*Transmission* ..... 37  
*Wheel Cylinder* ..... 21
- Regulator  
*Instrument* ..... 52  
*Voltage* ..... 51  
*Window* ..... 76
- Reservoir, Windshield Washer ..... 66  
Retainer, Door Panel ..... 74  
Road Draft Tube ..... 36
- S**  
Seat  
*Belts* ..... 12  
*Miscellaneous* ..... 85  
*Upholstery* ..... 2, 4, 6
- Sending Unit  
*Fuel Tank* ..... 44  
*Oil* ..... 44  
*Temperature* ..... 52, 65
- Sheet Metal  
*Patch Panels* ..... 14-15  
*Shipping Policy* ..... 2, 95
- Shock Absorbers ..... 70  
Shop Manuals ..... 10  
Soft Top  
*Assembly* ..... 81  
*Clamps* ..... 80  
*Weatherstripping* ..... 83  
*Wire-On Tips* ..... 82
- Spark Plugs / Wires ..... 54
- Speakers  
*Aftermarket* ..... 16  
*Original Style* ..... 72
- Speedometer  
*Cable* ..... 39  
*Faceplate* ..... 65
- Spring  
*Brake Shoe* ..... 21  
*Clutch* ..... 39  
*Con't Kit Lever Ass'y* ..... 19  
*Door Handle* ..... 75  
*Door Lock Remote* ..... 74  
*F/M Shifter* ..... 38, 85  
*Front Coil* ..... 32  
*Gas Door Hinge* ..... 63, 64  
*Generator Brush* ..... 51  
*Headlamp Bucket* ..... 55  
*Hood Latch* ..... 64  
*Horn Ring* ..... 59  
*Power Seat Assist* ..... 85  
*Rear Leaf* ..... 32  
*Trunk Hinge* ..... 78
- Turn Signal* ..... 56  
*Window Handle* ..... 76
- Starter ..... 52  
Steady Rests ..... 37  
Steering Column Parts ..... 24, 25  
Steering Gear Box ..... 24  
Step Plates ..... 3, 5, 7, 55  
Sun Visors ..... 48  
Sway Bar ..... 28
- Switch  
*Back Up Lights* ..... 61  
*Brake Light* ..... 56  
*Headlight* ..... 52  
*Heater Blower Motor* ..... 72  
*Ignition* ..... 52  
*Map Light* ..... 57  
*Neutral Safety* ..... 38  
*Power Seat* ..... 61  
*Power Window* ..... 59  
*Turn Signal* ..... 56
- T**  
Tail Lights ..... 56  
Temperature Sender ..... 52  
Thermostat ..... 42  
Tie Rods ..... 23, 24  
Tools ..... 13  
Top Clamps ..... 80  
Tray, Battery ..... 51  
Trim  
*Dash Aluminum* ..... 3, 5, 7, 49  
*Door Aluminum* ..... 3, 5, 7, 74  
*Trunk Mats* ..... 79  
*Turn Signal* ..... 56
- U**  
Universal Joint ..... 29  
Upholstery ..... 2-7
- V**  
Valve  
*Cover Gaskets* ..... 33, 34  
*Power Steering Control* ..... 28
- Visors ..... 5, 7, 48  
Voltage Regulator ..... 51
- W**  
Water Pump ..... 42  
Weatherstripping  
*Back Window Glass* ..... 78  
*Door* ..... 73  
*Front Body Pillar* ..... 48  
*Hard Top* ..... 83  
*Miscellaneous* ..... 88, 89  
*Soft Top* ..... 83  
*Trunk Lid* ..... 79  
*Windshield* ..... 48
- Window  
*Door* ..... 74  
*Porthole* ..... 80  
*Rear* ..... 78
- Windshield ..... 48  
Windshield Washer Reservoir ..... 66  
Windshield Wipers ..... 66  
Windwing Assembly ..... 48  
Wiring ..... 62  
Wiring Schematic ..... 10  
Wrench, Lug ..... 64

## HOW TO ORDER:

**CUSTOMER NUMBERS:** When you order from us the first time you are assigned a customer number. We use this number to keep track of all your information, orders and catalog mailing. Please use your customer number when ordering.

**ORDER LINE ..... 925-825-9550**  
**TOLL FREE LINE .. 800-227-2174**  
**FAX ..... 925-689-1771**  
**EMAIL: [parts@tbirdhq.com](mailto:parts@tbirdhq.com)**  
**SHOP ONLINE: [www.tbirdhq.com](http://www.tbirdhq.com)**

**TELEPHONE ORDERS:** You may place your order by telephone Monday through Friday between 8 A.M. and 5 P.M Pacific time. We will accept Visa, MasterCard, American Express and Discover cards. Please give us correct part numbers when ordering. Even though we are here to help, we are not trained automotive technicians.

**FAX ORDERS:** Please feel free to use our 24 hour FAX machine to send in your orders. Our FAX number is 925-689-1771.

**MAIL ORDERS:** Please try to list parts in numerical order with a complete description. Be sure to give us all the information so we will be able to accurately fill your order. Shipments are normally made within 48 hours of receipt. Visa, MasterCard, AmericanExpress, Discover and Postal Money Orders are accepted.

**SHOP IN PERSON:** If you are in the Bay Area of Northern California, please visit our showroom. Our showroom is open Monday through Friday from 8:30 A.M. to 4:30 P.M. We are closed on all major holidays.

**SHOP ONLINE:** go to our website [www.tbirdhq.com](http://www.tbirdhq.com) to shop online.

## SHIPPING POLICY:

**GUARANTEE AND RETURNS:** All of our parts are guaranteed! If you are not satisfied with any part, simply return it to us in an undamaged condition within 30 days for an exchange or a refund. Returns will not be accepted on items with which installation has been attempted. All returns must be returned **PREPAID** and shipped the least expensive way. Shipping will be paid both ways if it is our error. All returns **MUST** have a copy of the invoice and may be subject to a restocking charge. **NO EXCEPTIONS will be allowed!** The liability of Thunderbird Headquarters is limited only to the replacement of defective parts. No labor claims will be honored.

**SHIPMENTS INSIDE THE CONTINENTAL U.S.:** We ship by UPS or FedEx within the U.S. whenever possible. 1/4 panels, AC kits, brake conversion kits, brake drums, bumpers, continental kits, convertible top frames, exhaust pipes and mufflers, gas tanks, leaf springs, padded dashes, QuietRide kits, radiators, seat foam and windshields may need to be shipped by freight truck. If you need to request UPS Next Day or 2nd Day Air or 3rd Day Select Service you will be charged the actual shipping cost plus a \$5.00 handling fee.

**SHIPMENTS TO ALASKA, HAWAII AND PUERTO RICO:** Shipments are normally made by UPS or by U.S. Post Office if requested.

**SHIPMENTS TO APOs AND FPOs:** Your order must be prepaid by credit card or postal money order. Shipments are made by Parcel Post.

**INTERNATIONAL SHIPMENTS:** Your order must be prepaid by bank card or wire transfer. Please specify UPS, FedEx, or post office. Actual shipping charges must be paid by the purchaser. All Customs Duties and clearance costs must be paid by the purchaser upon delivery. We do not ship by ocean freight.

**FREIGHT TRUCK SHIPMENTS:** Certain items may be too large or too heavy to be shipped by UPS. These items must be prepaid by postal money order or bank card.

**BACKORDERS:** If a part is temporarily out of stock we will backorder the item and ship it as soon as possible. **If you are using Visa, MasterCard, AmericanExpress or Discover, you WILL NOT be billed for backordered items until they are shipped.** If you have paid by money order we will refund you if we cannot ship the item within 30 days.

**INQUIRIES:** Please call our Customer Service Department at 925-825-9550 Monday through Friday, 9 A.M. to 4:30 P.M., Pacific Time to check on the status of your order. **Please do not use our toll free line for inquiries.**

**QUANTITY DISCOUNTS:** We offer a quantity discount of **10%** on orders for new parts and upholstery over **\$1000.00** Used and rebuilt parts, A/C units, wire wheel hubcaps, exhaust pipe kits, bumper guards, convertible top frames, upholstery kits, continental kits, front end rebuild kits, disc brake conversion kits, power steering conversion kits and brake booster kits do not qualify for discount. **These excluded items have already been discounted.**

**DAMAGES OR SHORTAGES:** Should you receive damaged merchandise or missing merchandise due to a broken box contact the shipping company, (UPS, FedEx, Post Office, Freight Truck Line, etc.) immediately. They will start the claim procedure. **Do not ship the parts back to us until the claim is resolved. Keep all boxes and packing material as they may want to inspect them. We will do everything we can to see that your claim is taken care of.**

**PRICING:** Due to price changes by our suppliers we must reserve the right to change prices without notice.

**LIABILITY:** The seller, Thunderbird Headquarters, hereby expressly disclaims all warranties, either expressed or implied, including any implied warranty or merchantability of fitness for a particular purpose, and Thunderbird Headquarters neither assumes nor authorizes any other person to assume for it any liability in connection with the sale of this merchandise. **No labor claims will be honored. The liability of Thunderbird Headquarters is limited to the replacement of the defective parts. There is a maximum warranty period of 90 days on all rebuilt items.**



Thunderbird Headquarters is proud to be a part of the Ford Trademark Licensing Program. This program has been designed to assure that all of the reproduction parts listed in our catalog are of the finest quality. Look for the Official Licensed Product logo and you will know that you are buying only the finest parts available anywhere.

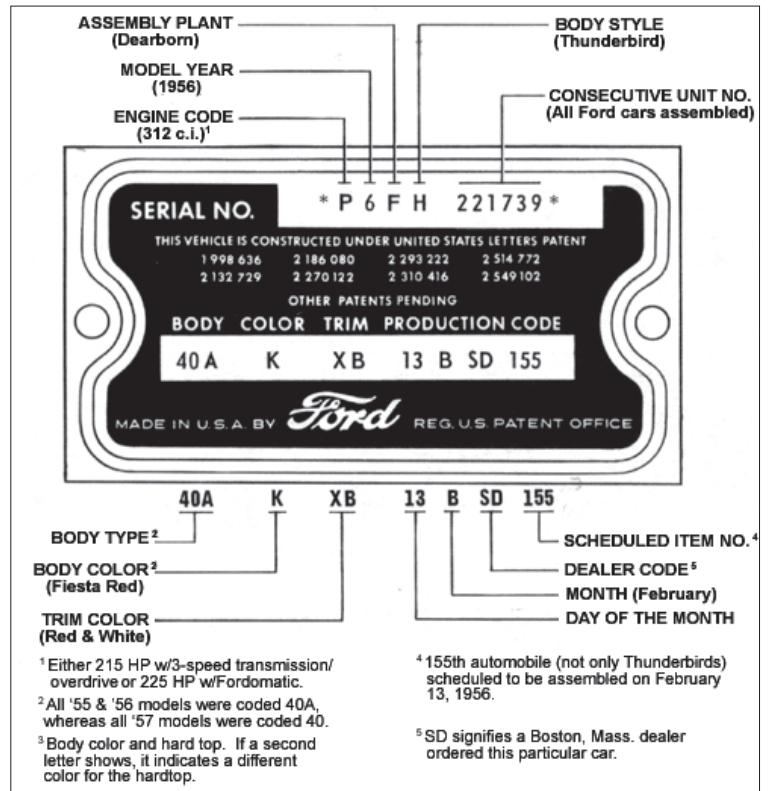
**WARNING:** The products sold in this catalog can expose you to chemicals including benzene which is known to the State of California to cause cancer, birth defects or other reproductive harm. for more information, visit: [www.p65warnings.ca.gov](http://www.p65warnings.ca.gov)



**Year Code Engine Carb. Transmission Horsepower**

<b>1955</b>	P	292	4V	3-Speed	193
	P	292	4V	Automatic	198
	P	292	4V	Overdrive	198
<b>1956</b>	M	292	4V	3-Speed	202
	P	312	4V	Automatic	215
	P	312	4V	Overdrive	225
	P	312	8V	3-Speed or Overdrive	260
<b>1957</b>	C	292	2V	3-Speed	212
	D	312	4V	Automatic or overdrive	245
	E	312	8V	Any	270
	F	312	4V	Any	300*
					* Supercharged

## 1955 - 1956 & Early 1957 Data Plate



### Date of Manufacture

<u>1st year</u>		<u>2nd year</u>	
Jan	A	Jan	N
Feb	B	Feb	P
Mar	C	Mar	Q
Apr	D	Apr	R
May	E	May	S
Jun	F	Jun	T
Jul	G	Jul	U
Aug	H	Aug	V
Sep	J	Sep	W
Oct	K	Oct	X
Nov	L	Nov	Y
Dec	M	Dec	Z

## Thunderbird Colors

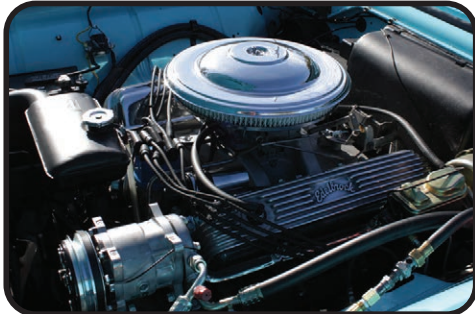
### Exterior

<u>1955</u> (initially)	A Raven Black
	R Torch Red
	T Thunderbird Blue
(added 3/55)	E Snowshow White
	V Goldenrod Yellow
<u>1956</u> (initially)	A Raven Black
	E Colonial White
	J Buckskin Tan
	K Fiesta Red
	L Peacock Blue
	X Navajo Gray
(added 3/56)	T Thunderbird Grey
	Z Thunderbird Green
	M Goldenglow Yellow
	Y Sunset Coral

<u>1957</u> (initially)	A Raven Black
	E Colonial White
	F Starmist Blue
	I Willow Green
	V Flame Red
	N Gunmetal Gray
	Y Inca Gold
	Z Coral Sand
	Q Thunderbird Bronze
	X Dusk Rose
(starting September 1957)	G Sun Gold (replaces Y)
	R Torch Red (replaces V)
	L Azure Blue (replaces F)
	H Gunmetal Grey (replaces N)
	N Seaspray Green (replaces J)

### Trim

<u>1955</u>	XA or A Black and White	<u>1957</u>	XA Black and White
	XB or B Red and White		XL Medium Blue and Light Blue
	XC or C Turquoise and White		XM Med. Green and Light Green
	XD or D Black and Yellow		XH Red
			XJ Copper (Thunderbird Bronze)
			XK White
<u>1956</u>	XA Black and White		
	XB Red and White		
	XC Peacock and White		
	XG Tan and White		
	XF Green and White		



## Pat Murphy's 1958

This beautifully restored 1958 Thunderbird is currently owned by Pat Murphy, owner of Devil Mountain Nursery in San Ramon, California. Pat inherited the car when a good friend and coworker died of sudden heart failure. Pat's friend had dreamed of restoring his baby but never had the chance.

Pat decided to honor his friend's vision by having his Bird restored. Pat took the car to "Adams Auto Classics" in Martinez, California where Dave Adams and Mike Richards undertook a full restoration. This restoration took a full year to complete. The car was taken down to bare metal and most of the parts replaced with new ones. The engine, transmission and suspension were all rebuilt. All of the weatherstripping and interior parts have been replaced.

Originally the car was a pale blue with blue and white interior, automatic transmission, power steering, power brakes and air conditioning. After many months she has been reborn in Gulfstream Turquoise and Colonial White. The paint was color matched to the interior for a "custom" look. All of the chrome has been re-plated and all the tinted glass is new.

Many safety and performance upgrades were done to the car. It now has front disc brakes, a dual diaphragm brake booster with a dual master cylinder, heavy duty front sway bar, Edelbrock aluminum intake manifold and Edelbrock carburetor. The air conditioning was upgraded to a Sanden compressor conversion which uses R134A Freon. The clock was also upgraded with new quartz movement and new seat belts were installed.

The finishing touches include '63 gas and brake pedals with stainless trim and wide white wall radial tires on reproduction Kelsey Hayes wire wheels.



Thunderbird Headquarters is proud to be a part of the Ford Trademark Licensing Program. This program has been designed to assure that all of the reproduction parts listed in our catalog are of the finest quality. Look for the Official Licensed Product logo and you will know that you are buying only the finest parts available anywhere.

## 1958-72 Contents

<b>Accessories .....</b>	<b>114</b>
<b>Brakes .....</b>	<b>125</b>
<b>Bumpers .....</b>	<b>182</b>
<b>Continental Kits.....</b>	<b>212</b>
<b>Cooling System &amp; Front Grill.....</b>	<b>150</b>
<b>Dash &amp; Windshield .....</b>	<b>158</b>
<b>Decals.....</b>	<b>209</b>
<b>Doors &amp; Windows.....</b>	<b>189</b>
<b>Engine .....</b>	<b>144</b>
<b>Exhaust System .....</b>	<b>141</b>
<b>Fasteners, Fittings &amp; Hardware Kits .</b>	<b>203</b>
<b>Fenderskirts &amp; Exterior Trim .....</b>	<b>197</b>
<b>Front Fenders .....</b>	<b>174</b>
<b>Fuel System.....</b>	<b>153</b>
<b>Gaskets &amp; Weatherstripping .....</b>	<b>206</b>
<b>Heater &amp; Air Conditioning .....</b>	<b>186</b>
<b>Hood .....</b>	<b>177</b>
<b>Ignition &amp; Electrical Systems .....</b>	<b>159</b>
<b>Literature .....</b>	<b>122</b>
<b>Mirrors.....</b>	<b>180</b>
<b>Radios &amp; Antennas .....</b>	<b>118</b>
<b>Rear Axle &amp; Drive Train .....</b>	<b>139</b>
<b>Repair Panels .....</b>	<b>121</b>
<b>Roof .....</b>	<b>200</b>
<b>Seats .....</b>	<b>202</b>
<b>Shocks.....</b>	<b>185</b>
<b>Speedometer .....</b>	<b>177</b>
<b>Suspension &amp; Steering .....</b>	<b>130</b>
<b>Transmission.....</b>	<b>147</b>
<b>Trunk &amp; Rear Back Glass .....</b>	<b>198</b>
<b>Upholstery &amp; Interior .....</b>	<b>100</b>
<b>Wheels.....</b>	<b>124</b>
<b>Windshield Wipers .....</b>	<b>179</b>
<b>Index .....</b>	<b>213</b>

We at Thunderbird Headquarters are proud to offer you the most complete and authentic line of Thunderbird seat covers available anywhere. All of our covers are made from reproduced vinyl that is correct in color and grain. All of our covers carry a one year guarantee, (from date of sale), against defects in workmanship and materials. We feel that you will be as pleased as we are with our upholstery line. If you're not, simply return the never installed covers within 30 days for a prompt and cheerful refund.

1958-1959



Vinyl Seat Covers

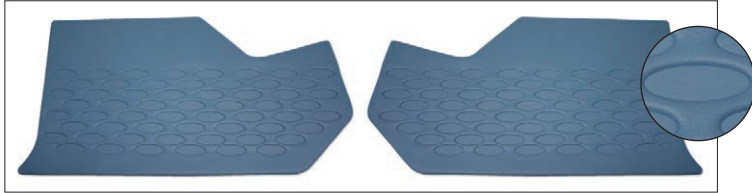
	Trim	
BSC58BKW	58-59 Black / white.....(XH)	835.00
BSC58RDW	58-59 Red / white.....(XG)	835.00
BSC58BUW	58-59 Blue / white.....(XE)	835.00
BSC58GRW	58-59 Green / white.....(XF)	835.00
BSC58GSW	58-59 Gulfstream / white.....(XM)	835.00
BSC58TW	58-59 Hickory Tan / white.....(XL)	835.00
BSC58BKW	58-59 Black / white.....(8X)	835.00
BSC58RDW	58-59 Red / white.....(9X)	835.00
BSC58BU	59 Dark blue / light blue.....(5X)	835.00
BSC59TQW	59 Turquoise / white.....(7X)	835.00
BSC58GRW	58-59 Green / white.....(6X)	835.00
BSC58TW	58-59 Hickory tan / white.....(5Y)	835.00
BFSC58	Fronts only sets in above colors.....	624.95

Leather Seat Covers

	Trim	
BSC58BKL	59 All Black.....(1Y)	1625.00
BSC58RDL	59 All Red.....(4Y)	1625.00
BSC58TL	59 All Hickory Tan.....(2Y)	1625.00
BSC59TQL	59 All Turquoise.....(3Y)	1625.00

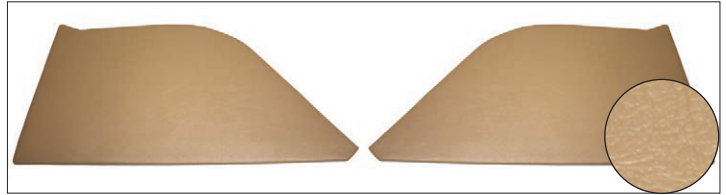
Seat Foam

BSF58	58-60 Front bucket.....	155.95
BRSF58	58-60 Rear seat foam, top and bottom.....	375.00



Kick Panels

	Trim	
BKP58WT	58-59 White vinyl design.....	91.00
BKP58BK	58-59 Black leather design.....(1Y)	91.00
BKP58RD	58-59 Red leather design.....(4Y)	91.00
BKP58T	58-59 Tan leather design.....(2Y)	91.00
BKP59BU	59 Blue vinyl design.....(5X)	91.00
BKP59TQ	59 Turquoise leather design.....(3Y)	91.00



Quarter Trims

	Trim	
BQT58BK	58-59 Black leather design.....(1Y)	91.00
BQT58RD	58-59 Red leather design.....(4T)	91.00
BQT58T	58-59 Tan leather design.....(2Y)	91.00
BQT58WT	58-59 White vinyl design.....	91.00
BQT59BU	59 Blue vinyl design.....(5X)	91.00
BQT59TQ	59 Turquoise leather design.....(3Y)	91.00

Rear Arm Rest Covers

	Trim	
BAR58BK	58-59 Black.....(1Y, XH)	77.95
BAR58BU	58-59 Blue.....(XE)	77.95
BAR58GR	58-59 Green.....(XF, 6F)	77.95
BAR58RD	58-59 Red.....(4Y, XG, 9X)	77.95
BAR58T	58-59 Tan.....(2Y, XL, 5Y)	77.95
BAR58TQ	58-59 Turquoise.....(XM)	77.95
BAR59BU	59 Blue.....(5X)	77.95
BAR59TQ	59 Turquoise.....(3Y, 7X)	77.95



Door Panels

	Trim	
BDP58BKL	58-59 Black, leather design.....(1Y)	710.00
BDP58BKW	58-59 Black / white, vinyl design.....(XH)	710.00
BDP58BU	58-59 Blue / white, vinyl design.....(XE)	710.00
BDP58GRW	58-59 Green / white, vinyl design.....(XF, X6)	710.00
BDP58RDL	59 Red, leather design.....(4Y)	710.00
BDP58RDW	58-59 Red / white, vinyl design.....(XG, 9X)	710.00
BDP58TL	59 Tan, leather design.....(2Y)	710.00
BDP58TQW	58-59 Turquoise / white, vinyl design.....(XM)	710.00
BDP58TW	58-59 Tan / white, vinyl design.....(XL, 5Y)	710.00
BDP59BU	59 Two tone blue, vinyl design.....(5X)	710.00
BDP59TQL	59 Turquoise, leather design.....(3Y)	710.00
BDP59TQW	59 Turquoise / white, vinyl design.....(7X)	710.00

.. NOTE .. See page 102 for interior trim kits.

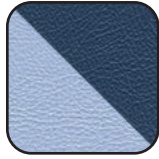
1960



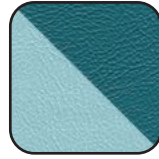
56



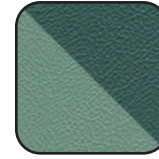
55



52



57



53



54

**Vinyl Seat Covers**

Trim

<b>BSC60BKW</b>	Black / white.....(56).....	<b>835.00</b>
<b>BSC60RDW</b>	Red / white.....(55).....	<b>835.00</b>
<b>BSC60BU</b>	Two tone blue.....(52).....	<b>835.00</b>
<b>BSC60TQ</b>	Two tone turquoise.....(57).....	<b>835.00</b>
<b>BSC60GR</b>	Two tone green.....(53).....	<b>835.00</b>
<b>BSC60BR</b>	Dark brown and beige.....(54).....	<b>835.00</b>
<b>BFSC60</b>	<b>Fronts only sets in above colors.....624.95</b>	

**Leather Seat Covers**

Trim

<b>BSC60BKL</b>	All black.....(86).....	<b>1625.00</b>
<b>BSC60RDL</b>	All red.....(85).....	<b>1625.00</b>
<b>BSC60BEL</b>	All light beige.....(84).....	<b>1625.00</b>
<b>BSC60TQL</b>	All dark turquoise.....(87).....	<b>1625.00</b>

**Seat Foam**

<b>BSF58</b>	58-60 Front bucket.....	<b>155.95</b>
<b>BRSF58</b>	58-60 Rear seat foam, top and bottom.....	<b>375.00</b>

**Kick Panels**

Trim

<b>BKP60BE</b>	Dark beige/light beige vinyl design.....(54).....	<b>91.00</b>
<b>BKP60BEL</b>	Dark beige/light beige leather design.....(84).....	<b>91.00</b>
<b>BKP60BKL</b>	Black leather design.....(86).....	<b>91.00</b>
<b>BKP60BKW</b>	Black/white vinyl design.....(56).....	<b>91.00</b>
<b>BKP60BU</b>	Two tone blue vinyl design.....(52).....	<b>91.00</b>
<b>BKP60GR</b>	Two tone green vinyl design.....(53).....	<b>91.00</b>
<b>BKP60RDL</b>	Red leather design.....(85).....	<b>91.00</b>
<b>BKP60RDW</b>	Red/white vinyl design.....(55).....	<b>91.00</b>
<b>BKP60TQ</b>	Two tone turquoise vinyl design.....(57).....	<b>91.00</b>
<b>BKP60TQL</b>	Turquoise leather design.....(87).....	<b>91.00</b>



**Quarter Trims**

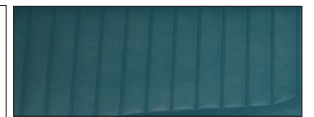
Trim

<b>BQT60BE</b>	Hardtop beige vinyl design.....(54).....	<b>213.25</b>
<b>BQT60BEC</b>	Convertible beige vinyl design.....(54).....	<b>213.25</b>
<b>BQT60BEL</b>	Hardtop beige leather design.....(84).....	<b>213.25</b>
<b>BQT60BELC</b>	Convertible beige leather design.....(84).....	<b>213.25</b>
<b>BQT60BKL</b>	Hardtop black leather design.....(86).....	<b>213.25</b>
<b>BQT60BKLC</b>	Convertible black leather design.....(86).....	<b>213.25</b>
<b>BQT60BU</b>	Hardtop blue vinyl design.....(52).....	<b>213.25</b>
<b>BQT60BUC</b>	Convertible blue vinyl design.....(52).....	<b>213.25</b>
<b>BQT60GR</b>	Hardtop green vinyl design.....(53).....	<b>213.25</b>
<b>BQT60GRC</b>	Convertible green vinyl design.....(53).....	<b>213.25</b>
<b>BQT60RDL</b>	Hardtop red leather design.....(85).....	<b>213.25</b>
<b>BQT60RDLC</b>	Convertible red leather design.....(85).....	<b>213.25</b>
<b>BQT60TQ</b>	Hardtop turquoise vinyl design.....(57).....	<b>213.25</b>
<b>BQT60TQC</b>	Convertible turquoise vinyl design.....(57).....	<b>213.25</b>
<b>BQT60TQL</b>	Hardtop turquoise leather design.....(87).....	<b>213.25</b>
<b>BQT60TQLC</b>	Convertible turquoise leather design.....(87).....	<b>213.25</b>
<b>BQT60WT</b>	Hardtop white vinyl design.....	<b>213.25</b>
<b>BQT60WTC</b>	Convertible white vinyl design.....	<b>213.25</b>

**Rear Arm Rest Covers**

Trim

<b>BAR60BK</b>	Black rear arm rest cover.....(86, 56).....	<b>77.95</b>
<b>BAR60BU</b>	Blue rear arm rest cover.....(52).....	<b>77.95</b>
<b>BAR60DKBE</b>	Dark beige rear arm rest cover.....(54).....	<b>77.95</b>
<b>BAR60GR</b>	Green rear arm rest cover.....(53).....	<b>77.95</b>
<b>BAR60LTBE</b>	Light beige rear arm rest cover.....(84).....	<b>77.95</b>
<b>BAR60RD</b>	Red rear arm rest cover.....(85, 55).....	<b>77.95</b>
<b>BAR60TQ</b>	Turquoise rear arm rest cover.....(57, 87).....	<b>77.95</b>



Leather Design



Vinyl Design



**Door Panels**

Trim

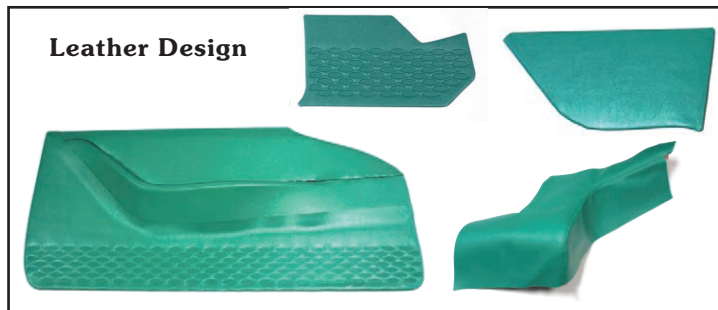
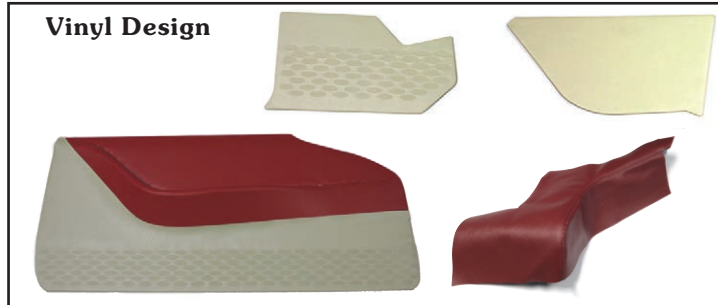
<b>BDP60BE</b>	Two tone beige vinyl design.....(54).....	<b>710.00</b>
<b>BDP60BEL</b>	Two tone beige leather design.....(84).....	<b>710.00</b>
<b>BDP60BKL</b>	Black leather design.....(86).....	<b>710.00</b>
<b>BDP60BKW</b>	Black / white vinyl design.....(56).....	<b>710.00</b>
<b>BDP60BU</b>	Two tone blue vinyl design.....(52).....	<b>710.00</b>
<b>BDP60GR</b>	Two tone green vinyl design.....(53).....	<b>710.00</b>
<b>BDP60RDL</b>	Red leather design.....(85).....	<b>710.00</b>
<b>BDP60RDW</b>	Red / white vinyl design.....(55).....	<b>710.00</b>
<b>BDP60TQ</b>	Two tone turquoise vinyl design.....(57).....	<b>710.00</b>
<b>BDP60TQL</b>	Turquoise leather design.....(87).....	<b>710.00</b>

.. NOTE .. See page 102 for interior trim kits.





**1958-1959 Interior Trim Kits:** These kits are made with our seat vinyl to ensure a perfect color match and embossed just like originals. Available in both leather design and vinyl design. Included in each kit is a one piece ABS plastic vinyl covered door panels with built in arm rests like the originals, one piece ¼ trim panels, kick panels and armrest covers. You must use your original chrome trim. You save \$ when you order a kit!



1958-1959 Interior Trim Kit	Trim	
<b>BDPK58BKL</b>	58-59 Black leather design .....	(LY) ..... <b>899.50</b>
<b>BDPK58BKW</b>	58-59 Black / white vinyl design....	(XH)..... <b>899.50</b>
<b>BDPK58BUW</b>	58 Blue / white vinyl design .....	(XE)..... <b>899.50</b>
<b>BDPK58GRW</b>	58-59 Green / white vinyl design...	(XF, X6)..... <b>899.50</b>
<b>BDPK58RDL</b>	58-59 Red leather design.....	(4Y)..... <b>899.50</b>
<b>BDPK58RDW</b>	58-59 Red / white vinyl design.....	(XG, 9X)..... <b>899.50</b>
<b>BDPK58TL</b>	58-59 Tan leather design.....	(2Y)..... <b>899.50</b>
<b>BDPK58TQW</b>	58 Turquoise / white vinyl design..	(XM)..... <b>899.50</b>
<b>BDPK58TW</b>	58-59 Tan / white vinyl design.....	(XL, 5Y)..... <b>899.50</b>
<b>BDPK59BU</b>	59 Two tone blue vinyl design .....	(5X)..... <b>899.50</b>
<b>BDPK59TQL</b>	59 Turquoise leather design.....	(3Y)..... <b>899.50</b>
<b>BDPK59TQW</b>	59 Turquoise / white vinyl design..	(7X)..... <b>899.50</b>

.. NOTE.. Interior trim kits include door panels, rear arm rest covers, kick panels, quarter trims.

**Dashes**

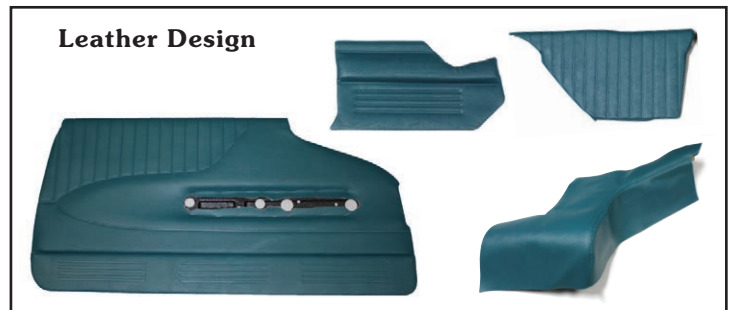
<b>B04290A</b>	Black.....	<b>499.95</b>
<b>B04290C</b>	White.....	<b>499.95</b>

.. NOTE.. Correct for late 59-60, replacement dash pad for 1958-early 1959.

**Cloth Windlace**

<b>BWL58BK</b>	Black.....	<b>40.50</b>
<b>BWL58RD</b>	Red.....	<b>40.50</b>
<b>BWL58BR</b>	Dark brown .....	<b>40.50</b>
<b>BWL58BU</b>	Blue .....	<b>40.50</b>
<b>BWL58GR</b>	Green.....	<b>40.50</b>
<b>BWL58TN</b>	Tan.....	<b>40.50</b>
<b>BWL58TQ</b>	Turquoise .....	<b>40.50</b>

**1960 Interior Trim Kits:** These kits are made with our seat vinyl to ensure a perfect color match and embossed just like the originals. Available in both leather design and vinyl design. Included in each kit is a one piece ABS plastic vinyl covered door panels which are embossed like the originals, one piece ABS plastic ¼ trim panels, kick panels and arm rest covers. You must use your original chrome trim and armrests. You save \$ when you order a kit!



1960 Interior Trim Kit	Trim	
<b>BDPK60BE</b>	HT two tone beige vinyl design.....	(54).. <b>1020.50</b>
<b>BDPK60BEC</b>	Conv't two tone beige vinyl design.....	(84).. <b>1020.50</b>
<b>BDPK60BELC</b>	Conv't two tone beige leather design.....	(84).. <b>1020.50</b>
<b>BDPK60BKL</b>	HT black leather design.....	(86).. <b>1020.50</b>
<b>BDPK60BKLC</b>	Conv't all black leather design.....	(86).. <b>1020.50</b>
<b>BDPK60BKW</b>	HT black / white vinyl design .....	(56).. <b>1020.50</b>
<b>BDPK60BKWC</b>	Conv't black / white vinyl design .....	(56).. <b>1020.50</b>
<b>BDPK60BU</b>	HT two tone blue vinyl design.....	(52).. <b>1020.50</b>
<b>BDPK60BUC</b>	Conv't two tone blue vinyl design.....	(52).. <b>1020.50</b>
<b>BDPK60GR</b>	HT two tone green vinyl design .....	(53).. <b>1020.50</b>
<b>BDPK60GRC</b>	Conv't two tone green vinyl design.....	(53).. <b>1020.50</b>
<b>BDPK60RDL</b>	HT red leather design.....	(85).. <b>1020.50</b>
<b>BDPK60RDLC</b>	Conv't all red leather design.....	(85).. <b>1020.50</b>
<b>BDPK60RDW</b>	Red / white vinyl design .....	(55).. <b>1020.50</b>
<b>BDPK60RDWC</b>	Conv't red / white vinyl design .....	(55).. <b>1020.50</b>
<b>BDPK60TQ</b>	HT two tone turquoise vinyl design .....	(57).. <b>1020.50</b>
<b>BDPK60TQC</b>	Conv't two tone turquoise vinyl design .....	(57).. <b>1020.50</b>
<b>BDPK60TQL</b>	HT two tone turquoise leather design.....	(87).. <b>1020.50</b>
<b>BDPK60TQLC</b>	Conv't two tone turquoise leather design.....	(87).. <b>1020.50</b>

.. NOTE.. Interior trim kits include door panels, rear arm rest covers, kick panels, quarter trims.

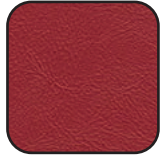
**Sun Visors**

<b>B04104A</b>	58-59 White, pair .....	<b>169.95</b>
<b>B04104BRLB</b>	60 Light beige, convertible, pair.....	<b>169.95</b>
<b>B04104BRB</b>	60 Black, convertible, pair .....	<b>169.95</b>
<b>B04104BRDB</b>	60 Dark blue, convertible, pair.....	<b>169.95</b>
<b>B04104BRDG</b>	60 Dark green, convertible, pair .....	<b>169.95</b>
<b>B04104BRDT</b>	60 Dark turquoise, convertible, pair .....	<b>169.95</b>
<b>B04104BRR</b>	60 Red, convertible, pair .....	<b>169.95</b>
<b>B04104BRW</b>	60 White, pair .....	<b>169.95</b>

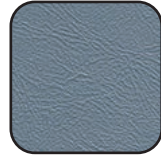
1961-1962



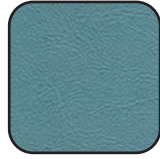
56



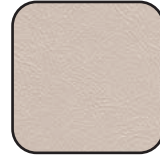
55



52



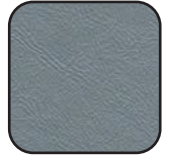
57



54



59



50

**Vinyl Seat Covers**

		<u>Trim</u>	
<b>BSC61BK</b>	61-62 Black .....	(56)	<b>835.00</b>
<b>BSC61RD</b>	61-62 Red .....	(55)	<b>835.00</b>
<b>BSC61BU</b>	61-62 Light blue metallic .....	(52)	<b>835.00</b>
<b>BSC61TQ</b>	61-62 Turquoise metallic .....	(57)	<b>835.00</b>
<b>BSC61PW</b>	61-62 Pearl beige metallic .....	(54, 54A)	<b>835.00</b>
<b>BSC61C</b>	61-62 Medium chestnut metallic .....	(59)	<b>835.00</b>
<b>BSC61SB</b>	61-62 Light silver blue metallic .....	(50)	<b>835.00</b>
<b>BFSC61</b>	<i>Fronts only sets in above colors</i> .....		<b>624.95</b>

**Leather Seat Covers**

		<u>Trim</u>	
<b>BSC61BKL</b>	61-62 Black .....	(86)	<b>1625.00</b>
<b>BSC61RDL</b>	61-62 Red .....	(85)	<b>1625.00</b>
<b>BSC61BUL</b>	61-62 Light blue metallic .....	(82)	<b>1625.00</b>
<b>BSC61CL</b>	62 Chestnut metallic .....	(59)	<b>1625.00</b>
<b>BSC61SBL</b>	62 Silver blue metallic .....		<b>1625.00</b>
<b>BSC61TQL</b>	61-62 Turquoise metallic .....	(87)	<b>1625.00</b>
<b>BSC61PWL</b>	61-62 Pearl beige metallic .....	(84)	<b>1625.00</b>
<b>BSC61WTL</b>	61-62 White .....		<b>1625.00</b>

**Seat Foam**

<b>BSF61</b>	Front bucket .....	<b>155.95</b>
<b>BRSF61</b>	Rear .....	<b>375.00</b>

**Bucket Seat Trim Panels**

<b>B62162B</b>	Black, 2 piece set .....	<b>98.95</b>
----------------	--------------------------	--------------

**Kick Panels**

<b>B02344C</b>	Black .....	<b>109.95</b>
----------------	-------------	---------------

**Door Arm Rests**

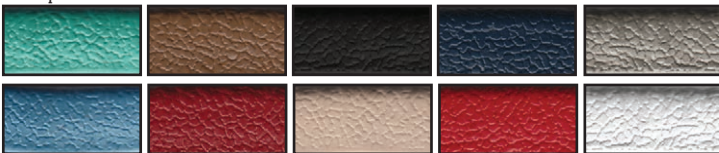
<b>B24140A</b>	Black, RH .....	<b>129.95</b>
<b>B24141A</b>	Black, LH .....	<b>129.95</b>

**Dashes**

<b>B04290B</b>	Black .....	<b>499.95</b>
<b>B04290D</b>	White .....	<b>499.95</b>

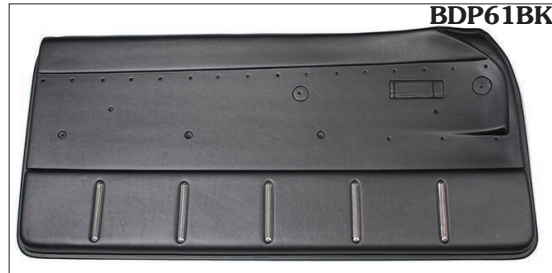
• • NOTE • • Correct for 61-early 62. Replacement dash pad for late 62-63.

• • NOTE • • These dashes may be used on cars built after 4/16/62. However, you should replace your door panels with our new combo panels to avoid wrinkling the ends of the dash when you close the door. You must also trim the metal ends of the dash for the dashpad to fit properly. You will also need to purchase B044B76/7 vinyl pads and B045A64/5 vinyl clad end plate.



**Vinyl Windlace**

<b>BWL61A</b>	Aqua, per foot .....	<b>2.95</b>
<b>BWL61B</b>	Brown, per foot .....	<b>2.95</b>
<b>BWL61BK</b>	Black, 8' roll .....	<b>12.95</b>
<b>BWL61DB</b>	Dark blue, per foot .....	<b>2.95</b>
<b>BWL61IG</b>	Ivy gold, per foot .....	<b>2.95</b>
<b>BWL61LB</b>	Light blue, per foot .....	<b>2.95</b>
<b>BWL61M</b>	Maroon, per foot .....	<b>2.95</b>
<b>BWL61P</b>	Parchment, per foot .....	<b>2.95</b>
<b>BWL61RD</b>	Red, per foot .....	<b>2.95</b>
<b>BWL61WT</b>	White, 8' roll .....	<b>12.95</b>



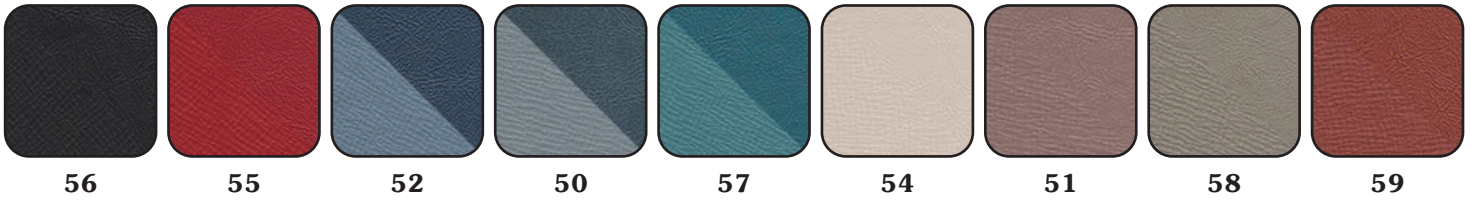
**Door Panels**

<b>BDP61BK</b>	61-62 Black .....	<b>695.50</b>
<b>BDP61WT</b>	61-62 White .....	<b>695.50</b>
<b>BDP62BK</b>	62-63 Black combo panels* .....	<b>695.50</b>
<b>BDP62WT</b>	62-63 White combo panels* .....	<b>695.50</b>
<b>BDP63BK</b>	62-63 Black .....	<b>695.50</b>
<b>BDP63WT</b>	62-63 White .....	<b>695.50</b>

• • NOTE • • \*Combo panels to be used with replacement dash pads.



1963



**Vinyl Seat Covers**

		<u>Trim</u>	
<b>BSC63BK</b>	Black sierra/vachette.....	(56).....	<b>835.00</b>
<b>BSC63RD</b>	Red sierra/vachette.....	(55).....	<b>835.00</b>
<b>BSC63BU</b>	Medium blue sierra/vachette.....	(52).....	<b>835.00</b>
<b>BSC63SB</b>	Silver blue sierra/vachette.....	(50).....	<b>835.00</b>
<b>BSC63TQ</b>	Medium turquoise sierra/vachette.....	(57).....	<b>835.00</b>
<b>BSC63PW</b>	Pearl beige sierra/vachette.....	(54).....	<b>835.00</b>
<b>BSC63RB</b>	Light rose beige sierra/vachette.....	(51).....	<b>835.00</b>
<b>BSC63LG</b>	Light gold sierra/vachette.....	(58).....	<b>835.00</b>
<b>BSC63RB</b>	Medium chestnut sierra/vachette.....	(59).....	<b>835.00</b>
<b>BFSC63</b>	<b>Fronts only sets in above colors.....</b>		<b>624.95</b>

**Leather Seat Covers**

		<u>Trim</u>	
<b>BSC63DBKL</b>	Black.....	(86).....	<b>1625.00</b>
<b>BSC63RDL</b>	Red.....	(85).....	<b>1625.00</b>
<b>BSC63BUL</b>	Light blue metallic.....	(82).....	<b>1625.00</b>
<b>BSC63PBL</b>	Pearl beige metallic.....	(84).....	<b>1625.00</b>
<b>BSC63WTL</b>	White metallic.....		<b>1625.00</b>

**Seat Foam**

<b>BSF63</b>	Front bucket.....	<b>155.95</b>
<b>BRSF63</b>	Rear.....	<b>375.00</b>



**Seat Emblems**

<b>B63520BB</b>	63-65, Black.....	<b>30.55</b>
<b>B63520BPB</b>	63-65, Pearl beige.....	<b>30.55</b>
<b>B63520BR</b>	63-65, Red.....	<b>30.55</b>
<b>B63520BSB</b>	63-65, Silver blue.....	<b>30.55</b>
<b>B63520BW</b>	63-65, White.....	<b>30.55</b>
<b>B63520BP</b>	63-65, Parchment.....	<b>30.55</b>
<b>B63520BL</b>	63-65, Blue.....	<b>30.55</b>
<b>B63520BT</b>	63-65, Turquoise.....	<b>30.55</b>
<b>B63520BI</b>	63-65, Ivy gold.....	<b>30.55</b>

**Bucket Seat Trim Panels**

<b>B62162B</b>	Black, 2 piece set.....	<b>98.95</b>
----------------	-------------------------	--------------



**Door Panels**

<b>BDP62BK</b>	62-63 Black combo panels*.....	<b>695.50</b>
<b>BDP62WT</b>	62-63 White combo panels*.....	<b>695.50</b>
<b>BDP63BK</b>	62-63 Black.....	<b>695.50</b>
<b>BDP63WT</b>	62-63 White.....	<b>695.50</b>

• • NOTE • • \*Combo panels to be used with replacement dash pads.



**Kick Panels**

<b>B02344D</b>	Black.....	<b>109.95</b>
----------------	------------	---------------



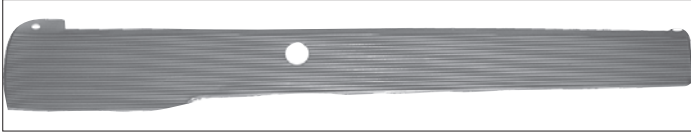
**Dashes**

<b>B04290B</b>	Black.....	<b>499.95</b>
<b>B04290D</b>	White.....	<b>499.95</b>

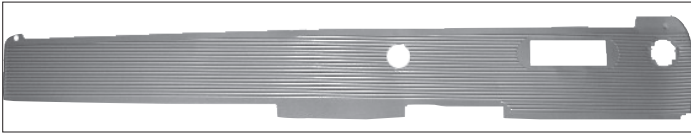
• • NOTE • • **Must change door panels to the combo panels.**  
 • • NOTE • • Correct for 61-early 62. Replacement dash pad for late 62-63.  
 • • NOTE • • These dashes may be used on cars built after 4/16/62.  
 However, you should replace your door panels with our new combo panels to avoid wrinkling the ends of the dash when you close the door. You must also trim the metal ends of the dash for the dashpad to fit properly. You will also need to purchase B044B76/7 vinyl pads and B045A64/5 vinyl clad end plate.



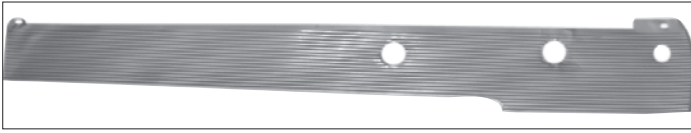
B237A22AR



B237A22ER



B237A23DR



B237A23IR

**1961-63 Door Panel Aluminum**

B237A22AR	61, early 62, with manual windows, RH	95.00
B237A22BR	61, early 62, with power windows, RH	95.00
B237A22CR	Late 62-63, with manual windows, RH	95.00
B237A22DR	Late 62, with power windows, RH	95.00
B237A22ER	63, with power windows, RH	95.00
B237A22TS	Late 62-63, nail strip, short	4.95
B237A22TL	Late 62-63, nail strip, long	8.95
B237A23AR	61, early 62, coupe with manual windows, LH	95.00
B237A23BR	61, early 62, convertible with manual windows, LH	95.00
B237A23CR	61, early 62, coupe with power windows, LH	95.00
B237A23DR	61, early 62, convertible with power windows, LH	95.00
B237A23ER	Late 62-63 coupe, manual windows without remote mirror, LH	95.00
B237A23FR	Late 62, convertible with manual windows, LH	95.00
B237A23GR	Late 62, coupe with power windows, LH	95.00
B237A23HR	Late 62, convertible with power windows, LH	95.00
B237A23IR	63, coupe, manual windows, with remote mirror	95.00
B237A23JR	63, convertible, manual windows, without remote mirror	95.00
B237A23KR	63, convertible, manual windows, with remote mirror	95.00
B237A23LR	63, coupe, power windows, without remote mirror	95.00
B237A23MR	63, coupe, power windows, with remote mirror	95.00
B237A23NR	63, convertible, power windows, without remote mirror	95.00
B237A23OR	63, convertible, power windows, with remote mirror	95.00
B237A22TS	Late 62-63, nail strip, short	4.95
B237A22TL	Late 62-63, nail strip, long	8.95



B310A02



B310A03

**1961-63 Rear Seat Quarter Trim Aluminum**

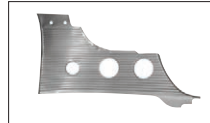
B310A02	61-63, RH	25.00
B310A03	61-63, LH	25.00



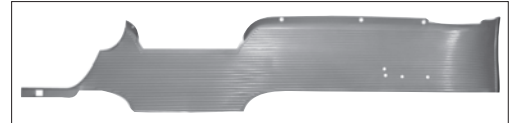
B04460

**1961-63 Thunderbird Dash Script**

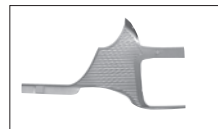
B04460	61-63 Dash script	24.95
--------	-------------------	-------



B044B07



B044B06A



B044B08



B044B06B

**1961-63 Dash Aluminum**

B044B06A	61-63, without A/C, RH with swing away	125.00
B044B06B	61-63, with A/C, RH with swing away	95.00
B044B07	61-63, LH	45.00
B044B08	61-63, center, with A/C	50.00



B048A14

**1961-63 Ash Tray Aluminum**

B048A14	61-63 Ashtray	25.00
---------	---------------	-------



B04567B



B04567C

**1961-63 Console Aluminum**

B04567B	61-62 all, and 63 without power windows	75.00
B04567C	63 with power windows	75.00

1964-1965



**Vinyl Seat Covers**

		<u>Trim</u>	
<b>BSC64BK</b>	Black .....	(56,56A,56B).....	<b>835.00</b>
<b>BSC64BKR</b>	Black w/recliner.....	(56,56A,56B).....	<b>870.00</b>
<b>BSC64RD</b>	Red .....	(55,55A,55B).....	<b>835.00</b>
<b>BSC64RDR</b>	Red w/recliner.....	(55,55A,55B).....	<b>870.00</b>
<b>BSC64BU</b>	Lt. blue metallic .....	(52,52A).....	<b>835.00</b>
<b>BSC64BUR</b>	Lt. blue metallic w/recliner .....	(52,52A).....	<b>870.00</b>
<b>BSC64SB</b>	Silver blue metallic .....	(51,51A,51B).....	<b>835.00</b>
<b>BSC64SBR</b>	Silver blue metallic w/recliner .....	(51,51A,51B).....	<b>870.00</b>
<b>BSC64TQ</b>	Lt. turquoise .....	(57,57A,57B).....	<b>835.00</b>
<b>BSC64TQR</b>	Lt. turquoise w/recliner .....	(57,57A,57B).....	<b>870.00</b>
<b>BSC64WT</b>	White .....	(53).....	<b>835.00</b>
<b>BSC64WTR</b>	White w/recliner .....	(53).....	<b>870.00</b>
<b>BSC64PL</b>	Palomino .....	(59,59A).....	<b>835.00</b>
<b>BSC64PLR</b>	Palomino w/recliner.....	(59,59A).....	<b>870.00</b>
<b>BSC64RB</b>	Rose beige.....	(50,50A).....	<b>835.00</b>
<b>BSC64RBR</b>	Rose beige w/recliner.....	(50,50A).....	<b>870.00</b>
<b>BSC64BE</b>	Lt. beige/silver gold .....	(54,54A,54B).....	<b>835.00</b>
<b>BSC64BER</b>	Lt. beige/silver gold w/recliner .....	(54,54A,54B).....	<b>870.00</b>
<b>BFSC64</b>	<i>Fronts only sets in above colors.....</i>		<b>624.95</b>
<b>BFSC64</b>	<i>R Fronts only sets with recliner in above colors ..</i>		<b>655.00</b>



Standard Design



Landau Design

**Leather Seat Covers**

		<u>Trim</u>	
<b>BSC64BKL</b>	64-65 Black.....	(86,86A,86B)...	<b>1625.00</b>
<b>BSC64BKLR</b>	64-65 Black w/ recliner .....	(86,86A,86B)...	<b>1657.00</b>
<b>BSC64RDL</b>	64-65 Red.....	(85,85A,85B)...	<b>1625.00</b>
<b>BSC64RDLR</b>	64-65 Red w/recliner.....	(85,85A,85B)...	<b>1657.00</b>
<b>BSC64BUL</b>	64-65 Lt. blue metallic .....	(82,82A).....	<b>1625.00</b>
<b>BSC64BULR</b>	64-65 Lt. blue metallic w/recliner .....	(82,82A).....	<b>1657.00</b>
<b>BSC64WTL</b>	64-65 White metallic.....	(83,83A).....	<b>1625.00</b>
<b>BSC64WTLR</b>	64-65 White metallic w/recliner... ..	(83,83A).....	<b>1657.00</b>
<b>BSC64PLL</b>	64-65 Palomino.....	(89,89A).....	<b>1625.00</b>
<b>BSC64PLLR</b>	64-65 Palomino w/recliner.....	(89,89A).....	<b>1657.00</b>
<b>BSC64SBL</b>	64-65 Silver blue metallic.....		<b>1625.00</b>
<b>BSC64SBLR</b>	64-65 Silver blue metallic w/recliner .....		<b>1657.00</b>
<b>BSC64BGL</b>	64-65 Burgundy.....		<b>1625.00</b>
<b>BSC64BGLR</b>	64-65 Burgundy recliner.....		<b>1657.00</b>

**Door Panels**

<b>BDP64BK</b>	64 Black.....	<b>695.50</b>
<b>BDP64LBK</b>	64 Black, landau.....	<b>695.50</b>
<b>BDP64LWT</b>	64 White, landau .....	<b>695.50</b>
<b>BDP64WT</b>	64 White .....	<b>695.50</b>
<b>BDP65BK</b>	65 Black.....	<b>695.50</b>
<b>BDP65LBK</b>	65 Black, landau .....	<b>695.50</b>
<b>BDP65LWT</b>	65 White, landau .....	<b>695.50</b>
<b>BDP65WT</b>	65 White .....	<b>695.50</b>

**Seat Foam**

<b>BSF64</b>	Front bucket .....	<b>155.95</b>
<b>BSF64R</b>	Front bucket recliner .....	<b>187.95</b>
<b>BRSF64</b>	Rear .....	<b>375.00</b>



**Seat Emblems**

<b>B63520BB</b>	63-65, Black.....	<b>30.55</b>
<b>B63520BPB</b>	63-65, Pearl beige .....	<b>30.55</b>
<b>B63520BR</b>	63-65, Red.....	<b>30.55</b>
<b>B63520BSB</b>	63-65, silver blue.....	<b>30.55</b>
<b>B63520BW</b>	63-65, White .....	<b>30.55</b>
<b>B63520BP</b>	63-65, Parchment.....	<b>30.55</b>
<b>B63520BL</b>	63-65, Blue .....	<b>30.55</b>
<b>B63520BT</b>	63-65, Turquoise .....	<b>30.55</b>
<b>B63520BI</b>	63-65, Ivy gold .....	<b>30.55</b>



1966



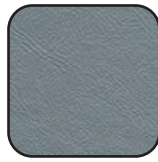
56



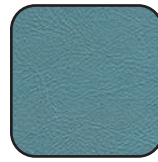
55



52



51



57



G1-G9



54

**Vinyl Seat Covers**

		<u>Trim</u>	
BSC66BK	Black.....	(26,56).....	835.00
BSC66BKR	Black with recliner.....	(26,56).....	870.00
BSC66RD	Red.....	(25,55).....	835.00
BSC66RDR	Red with recliner.....	(25,55).....	870.00
BSC66BU	Dark blue.....	(22,52).....	835.00
BSC66BUR	Dark blue with recliner.....	(22,52).....	870.00
BSC66SM	Silver mink.....	(21,51).....	835.00
BSC66SMR	Silver mink withrecliner.....	(21,51).....	870.00
BSC66TQ	Light aqua.....	(27,57).....	835.00
BSC66TQR	Light aqua with recliner.....	(27,57).....	870.00
BSC66WT	White.....	(G1-G9,P1-P9).....	835.00
BSC66WTR	White with recliner.....	(G1-G9,P1-P9).....	870.00
BSC66E	Emberglo.....	(24,54).....	835.00
BSC66ER	Emberglo with recliner.....	(24,2-54).....	870.00
BFSC66	<b>Fronts only sets in above colors.....</b>		<b>624.95</b>
BFSC66	<b>R Fronts only sets with recliner in above colors ...</b>		<b>655.00</b>

**Leather Seat Covers**

		<u>Trim</u>	
BSC66BKL	Black.....	(66).....	1625.00
BSC66BKLR	Black with recliner.....	(66).....	1657.00
BSC66RDL	Red.....	(65).....	1625.00
BSC66RDLR	Red with recliner.....	(65).....	1657.00
BSC66BUL	Dark blue.....	(62).....	1625.00
BSC66BULR	Dark blue with recliner.....	(62).....	1657.00
BSC66EL	Emberglo.....		1625.00
BSC66ELR	Emberglo with recliner.....		1657.00
BSC66PCL	Parchment.....	(B2,L2-L9).....	1625.00
BSC66PCLR	Parchment with recliner.....	(B2,L2-L9).....	1657.00

**Seat Foam**

BRSF64	Rear.....	375.00
BSF66	Front bucket.....	155.95
BSF66R	Recliner front bucket.....	187.95

**Kick Panels**

B02344E	Coupe, black.....	109.95
B02344F	Convertible, black.....	109.95



**Door Panels**

BDP66BK	Black.....	695.50
BDP66WT	White.....	695.50

**Wood Grain Kits**

BB-CON-200	64-65 Center console Gunstock grain 1 piece.....	26.00
BB-CON-205	64-65 Center console Gunstock grain with power windows 1 piece.....	26.00
BB-CON-210	66, Center console Burl grain 1 piece.....	26.00
BB-CON-215	66, Center console Burl grain with power windows 1 piece.....	26.00
BB-DSH-200	64-65, Dash Gunstock grain without A/C, 1 piece..	31.00
BB-DSH-205	64-65, Dash Gunstock grain with A/C ,1 piece.....	31.00
BB-DSH-210	64-65, Steering column panels Gunstock grain 4 pcs..	31.00
BB-DSH-215	64-65, Console and dash, Gunstock grain without A/C.....	58.00
BB-DSH-216	64-65, Console and dash, Gunstock grain with A/C.....	56.00
BB-DSH-220	66, Dash Burl wood grain without A/C, 1 piece.....	31.00
BB-DSH-225	66, Dash Burl wood grain with A/C, 1 piece.....	31.00
BB-DSH-230	66, Steering column panels Burl grain, 4 pieces.....	31.00
BB-DSH-235	66, Console, dash & doors Gunstock grain without A/C	56.00

**Vinyl Paint**

These paints have been made to match our seat cover upholstery. Can be used on any vinyl, leather or plastic pieces to freshen up your interior. 12 oz. spray can.

VT1	Black.....	24.95
VT8	58-65 Red.....	24.95
VT15	60 Dark blue.....	24.95
VT24	61-65 Light blue.....	24.95
VT25	61-65 Light turquoise.....	24.95
VT26	61-63 Pearl beige.....	24.95
VT27	62-66 Silver Blue.....	24.95
VT28	62-63 & 66 Chestnut / Emberglo.....	24.95
VT31	63 Medium blue.....	24.95
VT33	63 Medium turquoise.....	24.95
VT36	63-64 Rose beige.....	24.95
VT38	63 Silver Blue.....	24.95
VT43	64-65 White.....	24.95
VT44	64-65 Palomino.....	24.95
VT45	66 White.....	24.95
VT46	65-66 Burgundy.....	24.95
VT47	65-66 Parchment.....	24.95
VT48	65-66 Ivy gold.....	24.95
VT49	66 Dark red.....	24.95
VT50	66 Dark blue.....	24.95
VTGC	Gloss clear, to give your project a hi-gloss finish.....	24.95
VTSC	Satin clear, to give your project a satin finish.....	24.95
VTAD	Adhesion promoter, (primer).....	19.95
VTC	Vinyl cleaner, 4 oz. bottle.....	9.95



**1958-60 Carpet Sets**

<b>BCP58BE</b>	Ford beige .....	<b>239.95</b>
<b>BCP58BKRL</b>	Black .....	<b>239.95</b>
<b>BCP58BRR</b>	Dark brown .....	<b>239.95</b>
<b>BCP58BURL</b>	Medium blue .....	<b>239.95</b>
<b>BCP58GR</b>	Dark green.....	<b>239.95</b>
<b>BCP58DKTQR</b>	Dark turquoise .....	<b>239.95</b>
<b>BCP58LTQRL</b>	Aqua .....	<b>239.95</b>
<b>BCP58RBR</b>	Rose beige / coral.....	<b>239.95</b>
<b>BCP58RDRL</b>	Red .....	<b>239.95</b>
<b>BCP58SR</b>	Dark saddle.....	<b>239.95</b>



**1961-63 Carpet Sets**

<b>BCP61BERL</b>	Ford beige .....	<b>239.95</b>
<b>BCP61BKRL</b>	Black .....	<b>239.95</b>
<b>BCP61BRR</b>	Dark brown .....	<b>239.95</b>
<b>BCP61BURL</b>	Medium blue.....	<b>239.95</b>
<b>BCP61CR</b>	Emberglo / chestnut.....	<b>239.95</b>
<b>BCP61DKTQR</b>	Dark turquoise .....	<b>239.95</b>
<b>BCP61RBR</b>	Rose beige / coral.....	<b>239.95</b>
<b>BCP61RDRL</b>	Red .....	<b>239.95</b>
<b>BCP61SMR</b>	Silver mink.....	<b>239.95</b>
<b>BCP61SR</b>	Saddle .....	<b>239.95</b>
<b>BCP61TQRL</b>	Aqua .....	<b>239.95</b>

**1961-63 Door Panel Carpet**

<b>BDPC61BURL</b>	Medium blue.....	<b>69.95</b>
<b>BDPC61E</b>	Emberglo / chestnut.....	<b>69.95</b>
<b>BDPC61RB</b>	Rose beige.....	<b>69.95</b>

•• NOTE •• Other colors available



**1964-66 Carpet Sets**

<b>BCP64BBUR</b>	Bright blue.....	<b>239.95</b>
<b>BCP64BKR</b>	Black .....	<b>239.95</b>
<b>BCP64DKBUR</b>	Dark blue.....	<b>239.95</b>
<b>BCP64ER</b>	Emberglo / chestnut.....	<b>239.95</b>
<b>BCP64FR</b>	Fawn / sandalwood.....	<b>239.95</b>
<b>BCP64IGR</b>	Ivy gold.....	<b>239.95</b>
<b>BCP64MBU</b>	Medium blue.....	<b>239.95</b>
<b>BCP64MR</b>	Maroon.....	<b>239.95</b>
<b>BCP64RDR</b>	Red .....	<b>239.95</b>
<b>BCP64SMR</b>	Silver mink.....	<b>239.95</b>
<b>BCP64RBR</b>	Coral / rose beige.....	<b>239.95</b>
<b>BCP64SR</b>	Medium saddle.....	<b>239.95</b>
<b>BCP64TQR</b>	Aqua .....	<b>239.95</b>

**1964-66 Door Panel Carpets**

<b>BDPCBBURL</b>	Bright blue.....	<b>69.95</b>
<b>BDPCBKRL</b>	Black .....	<b>69.95</b>
<b>BDPCDKBURL</b>	Dark blue.....	<b>69.95</b>
<b>BDPCERL</b>	Emberglo / chestnut.....	<b>69.95</b>
<b>BDPCFRL</b>	Fawn / sandalwood.....	<b>69.95</b>
<b>BDPCIGRL</b>	Ivy gold.....	<b>69.95</b>
<b>BDPCMBU</b>	Medium blue.....	<b>69.95</b>
<b>BDPCMRL</b>	Maroon.....	<b>69.95</b>
<b>BDPCRDRL</b>	Red .....	<b>69.95</b>
<b>BDPCPSMRL</b>	Silver mink.....	<b>69.95</b>
<b>BDPCRBRL</b>	Coral / rose beige.....	<b>69.95</b>
<b>BDPCSRL</b>	Medium saddle.....	<b>69.95</b>
<b>BDPCTQRL</b>	Aqua .....	<b>69.95</b>



**1967 Carpet Sets, 2 Door**

<b>BCP67BK2</b>	Black.....	<b>260.00</b>
<b>BCP67DKBU2</b>	Dark blue .....	<b>260.00</b>
<b>BCP67DKGR2</b>	Dark green .....	<b>260.00</b>
<b>BCP67GM2</b>	Gun metal gray.....	<b>260.00</b>
<b>BCP67FR2</b>	Fawn / sandalwood .....	<b>260.00</b>
<b>BCP67M2</b>	Maroon .....	<b>260.00</b>
<b>BCP67MB2</b>	Medium blue.....	<b>260.00</b>
<b>BCP67MGR2</b>	Moss green.....	<b>260.00</b>
<b>BCP67RD2</b>	Red .....	<b>260.00</b>
<b>BCP67TQ2</b>	Aqua .....	<b>260.00</b>

**1967 Door Panel Carpet, 2 Door**

<b>BDPC67BK2</b>	Black.....	<b>85.00</b>
<b>BDPC67DKBU2</b>	Dark blue .....	<b>85.00</b>
<b>BDPC67DKGR2</b>	Dark green .....	<b>85.00</b>
<b>BDPC67GM2</b>	Gun metal gray.....	<b>85.00</b>
<b>BDPC67FR2</b>	Fawn / sandalwood .....	<b>85.00</b>
<b>BDPC67M2</b>	Maroon .....	<b>85.00</b>
<b>BDPC67MB2</b>	Medium blue.....	<b>85.00</b>
<b>BDPC67MGR2</b>	Moss green.....	<b>85.00</b>
<b>BDPC67RD2</b>	Red .....	<b>85.00</b>
<b>BDPC67TQ2</b>	Aqua .....	<b>85.00</b>

**1967-69 Carpet Sets, 4 Door Without Console**

<b>BCP67BK4</b>	Black.....	<b>260.00</b>
<b>BCP67DKBU4</b>	Dark blue .....	<b>260.00</b>
<b>BCP67DKGR4</b>	Dark green .....	<b>260.00</b>
<b>BCP67GM4</b>	Gun metal gray.....	<b>260.00</b>
<b>BCP67FR4</b>	Fawn / sandalwood .....	<b>260.00</b>
<b>BCP67M4</b>	Maroon .....	<b>260.00</b>
<b>BCP67MB4</b>	Medium blue.....	<b>260.00</b>
<b>BCP67MGR4</b>	Moss green.....	<b>260.00</b>
<b>BCP67RD4</b>	Red .....	<b>260.00</b>
<b>BCP67TQ4</b>	Aqua .....	<b>260.00</b>

**1967-69 Carpet Sets, 4 Door With Console**

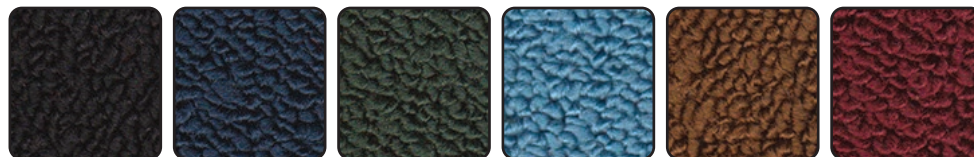
<b>BCP67BK4C</b>	Black.....	<b>260.00</b>
<b>BCP67DKBU4C</b>	Dark blue .....	<b>260.00</b>
<b>BCP67DKGR4C</b>	Dark green .....	<b>260.00</b>
<b>BCP67GM4C</b>	Gun metal gray.....	<b>260.00</b>
<b>BCP67FR4C</b>	Fawn / sandalwood .....	<b>260.00</b>
<b>BCP67M4C</b>	Maroon .....	<b>260.00</b>
<b>BCP67MB4C</b>	Medium blue.....	<b>260.00</b>
<b>BCP67MGR4C</b>	Moss green.....	<b>260.00</b>
<b>BCP67RD4C</b>	Red .....	<b>260.00</b>
<b>BCP67TQ4C</b>	Aqua .....	<b>260.00</b>

**1968-69 Carpet Sets, 2 Door Without Console**

<b>BCP68BK2</b>	Black.....	<b>260.00</b>
<b>BCP68DKBU2</b>	Dark blue .....	<b>260.00</b>
<b>BCP68DKGR2</b>	Dark green .....	<b>260.00</b>
<b>BCP68GM2</b>	Gun metal gray.....	<b>260.00</b>
<b>BCP68FR2</b>	Fawn / sandalwood .....	<b>260.00</b>
<b>BCP68M2</b>	Maroon .....	<b>260.00</b>
<b>BCP68MB2</b>	Medium blue.....	<b>260.00</b>
<b>BCP68MGR2</b>	Moss green.....	<b>260.00</b>
<b>BCP68RD2</b>	Red .....	<b>260.00</b>
<b>BCP68TQ2</b>	Aqua .....	<b>260.00</b>

**1968-69 Carpet Sets, 2 Door With Console**

<b>BCP68BK2C</b>	Black.....	<b>260.00</b>
<b>BCP68DKBU2C</b>	Dark blue .....	<b>260.00</b>
<b>BCP68DKGR2C</b>	Dark green .....	<b>260.00</b>
<b>BCP68GM2C</b>	Gun metal gray.....	<b>260.00</b>
<b>BCP68FR2C</b>	Fawn / sandalwood .....	<b>260.00</b>
<b>BCP68M2C</b>	Maroon .....	<b>260.00</b>
<b>BCP68MB2C</b>	Medium blue.....	<b>260.00</b>
<b>BCP68MGR2C</b>	Moss green.....	<b>260.00</b>
<b>BCP68RD2C</b>	Red .....	<b>260.00</b>
<b>BCP68TQ2C</b>	Aqua .....	<b>260.00</b>



**1970-71 Carpet Sets, 2 Door**

<b>BCP70BK2</b>	Black.....	<b>260.00</b>
<b>BCP70DKBU2</b>	Dark blue .....	<b>260.00</b>
<b>BCP70DKBR2</b>	Dark brown .....	<b>260.00</b>
<b>BCP70DKGR2</b>	Dark green .....	<b>260.00</b>
<b>BCP70DKS2</b>	Dark saddle .....	<b>260.00</b>
<b>BCP70M2</b>	Maroon .....	<b>260.00</b>

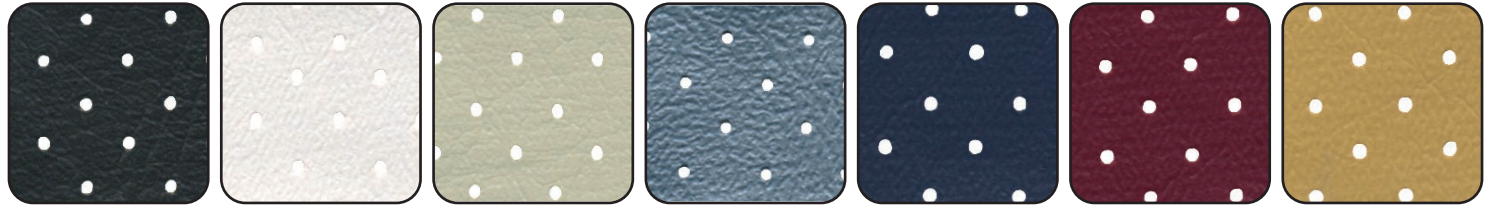
**1970-71 Carpet Sets, 4 Door**

<b>BCP70BK4</b>	Black.....	<b>260.00</b>
<b>BCP70DKBU4</b>	Dark blue .....	<b>260.00</b>
<b>BCP70DKBR4</b>	Dark brown .....	<b>260.00</b>
<b>BCP70DKGR4</b>	Dark green .....	<b>260.00</b>
<b>BCP70DKS4</b>	Dark saddle .....	<b>260.00</b>
<b>BCP70M4</b>	Maroon .....	<b>260.00</b>



Headliners

Our 1958-1966 Thunderbird headliners are made with perforated material as original and are guaranteed to fit!



Black

White

Bone

Light Blue

Dark Blue

Red

Tan

1958-60

<b>BHL58BK</b>	58-60 Black .....	<b>99.95</b>
<b>BHL58PW</b>	58-60 White .....	<b>99.95</b>
<b>BHL58WT</b>	58-60 Bone (off-white).....	<b>99.95</b>
<b>BHL60BK</b>	60 Black with Sunroof.....	<b>109.95</b>
<b>BHL60PW</b>	60 White with Sun roof.....	<b>99.95</b>

1964-66

<b>BHL64BK</b>	64-66 Black except 66 Town model .....	<b>99.95</b>
<b>BHL64BU</b>	64-66 Light Blue except 66 Town model.....	<b>210.00</b>
<b>BHL64DKB</b>	64-66 Dark Blue except 66 Town model .....	<b>210.00</b>
<b>BHL64PW</b>	64-66 White except 66 Town model.....	<b>99.95</b>
<b>BHL64R</b>	64-66 Red except 66 Town model .....	<b>210.00</b>
<b>BHL64T</b>	64-66 Tan except 66 Town model .....	<b>210.00</b>
<b>BHL64WT</b>	64-66 Bone except 66 Town model .....	<b>99.95</b>

1961-63

<b>BHL61BK</b>	61-63 Black .....	<b>99.95</b>
<b>BHL61PW</b>	61-63 White .....	<b>99.95</b>
<b>BHL61WT</b>	61-63 Bone (off-white).....	<b>99.95</b>

Our 1967-1971 Thunderbird headliners are made with Crater Grain material and are guaranteed to fit!



Black

Medium Blue

Dark Green

Off White

White

Light Blue

Tan



Red

Light Green

Saddle

Parchment

Bright Red

Burgundy

Dark Brown

1967 4 Door.....210.00

<b>BHL67BK4</b>	Black	<b>BHL67LTBU4</b>	Light blue		
<b>BHL67MB4</b>	Medium blue	<b>BHL67T4</b>	Tan		
<b>BHL67DKGRN4</b>	Dark green	<b>BHL67RD4</b>	Red	<b>BHL67BRD4</b>	Bright red
<b>BHL67OW4</b>	Off-white	<b>BHL67LTGRN4</b>	Light green	<b>BHL67BRG4</b>	Burgundy
<b>BHL67WT4</b>	White	<b>BHL67S4</b>	Saddle	<b>BHL67DKBRN4</b>	Dark brown
		<b>BHL67P4</b>	Parchment		

1968 2 Door.....210.00

<b>BHL68BK2</b>	Black
<b>BHL68MB2</b>	Medium blue
<b>BHL68DKGRN2</b>	Dark green
<b>BHL68OW2</b>	Off-white
<b>BHL68WT2</b>	White
<b>BHL68LTBU2</b>	Light blue
<b>BHL68T2</b>	Tan
<b>BHL68RD2</b>	Red
<b>BHL68LTGRN2</b>	Light green
<b>BHL68S2</b>	Saddle
<b>BHL68P2</b>	Parchment
<b>BHL68BRD2</b>	Bright red
<b>BHL68BRG2</b>	Burgundy
<b>BHL68DKBRN2</b>	Dark brown

1968 4 Door...210.00

<b>BHL68BK4</b>	Black
<b>BHL68MB4</b>	Medium blue
<b>BHL68DKGRN4</b>	Dark green
<b>BHL68OW4</b>	Off-white
<b>BHL68WT4</b>	White
<b>BHL68LTBU4</b>	Light blue
<b>BHL68T4</b>	Tan
<b>BHL68RD4</b>	Red
<b>BHL68LTGRN4</b>	Light green
<b>BHL68S4</b>	Saddle
<b>BHL68P4</b>	Parchment
<b>BHL68BRD4</b>	Bright red
<b>BHL68BRG4</b>	Burgundy
<b>BHL68DKBRN4</b>	Dark brown

1969 2 Door...210.00

<b>BHL69BK2</b>	Black
<b>BHL69MB2</b>	Medium blue
<b>BHL69DKGRN2</b>	Dark green
<b>BHL69OW2</b>	Off-white
<b>BHL69WT2</b>	White
<b>BHL69LTBU2</b>	Light blue
<b>BHL69T2</b>	Tan
<b>BHL69RD2</b>	Red
<b>BHL69LTGRN2</b>	Light green
<b>BHL69S2</b>	Saddle
<b>BHL69P2</b>	Parchment
<b>BHL69BRD2</b>	Bright red
<b>BHL69BRG2</b>	Burgundy
<b>BHL69DKBRN2</b>	Dark brown

1969 4 Door...210.00

<b>BHL69BK4</b>	Black
<b>BHL69MB4</b>	Medium blue
<b>BHL69DKGRN4</b>	Dark green
<b>BHL69OW4</b>	Off-white
<b>BHL69WT4</b>	White
<b>BHL69LTBU4</b>	Light blue
<b>BHL69T4</b>	Tan
<b>BHL69RD4</b>	Red
<b>BHL69LTGRN4</b>	Light green
<b>BHL69S4</b>	Saddle
<b>BHL69P4</b>	Parchment
<b>BHL69BRD4</b>	Bright red
<b>BHL69BRG4</b>	Burgundy
<b>BHL69DKBRN4</b>	Dark brown

### 1970 2 Door....210.00

<b>BHL70BK2</b>	Black
<b>BHL70MB2</b>	Medium blue
<b>BHL70DKGRN2</b>	Dark green
<b>BHL70OW2</b>	Off-white
<b>BHL70WT2</b>	White
<b>BHL70LTBU2</b>	Light blue
<b>BHL70T2</b>	Tan
<b>BHL70RD2</b>	Red
<b>BHL70LTGRN2</b>	Light green
<b>BHL70S2</b>	Saddle
<b>BHL70P2</b>	Parchment
<b>BHL70BRD2</b>	Bright red
<b>BHL70BRG2</b>	Burgundy
<b>BHL70DKBRN2</b>	Dark brown

### 1970 4 Door...210.00

<b>BHL70BK4</b>	Black
<b>BHL70MB4</b>	Medium blue
<b>BHL70DKGRN4</b>	Dark green
<b>BHL70OW4</b>	Off-white
<b>BHL70WT4</b>	White
<b>BHL70LTBU4</b>	Light blue
<b>BHL70T4</b>	Tan
<b>BHL70RD4</b>	Red
<b>BHL70LTGRN4</b>	Light green
<b>BHL70S4</b>	Saddle
<b>BHL70P4</b>	Parchment
<b>BHL70BRD4</b>	Bright red
<b>BHL70BRG4</b>	Burgundy
<b>BHL70DKBRN4</b>	Dark brown

### 1971 2 Door....210.00

<b>BHL71BK2</b>	Black
<b>BHL71MB2</b>	Medium blue
<b>BHL71GRN2</b>	Dark green
<b>BHL71OW2</b>	Off-white
<b>BHL71WT2</b>	White
<b>BHL71LTBU2</b>	Light blue
<b>BHL71T2</b>	Tan
<b>BHL71RD2</b>	Red
<b>BHL71LTGRN2</b>	Light green
<b>BHL71S2</b>	Saddle
<b>BHL71P2</b>	Parchment
<b>BHL71BRD2</b>	Bright red
<b>BHL71BRG2</b>	Burgundy
<b>BHL71DKBRN2</b>	Dark brown

### 1971 4 Door...210.00

<b>BHL71BK4</b>	Black
<b>BHL71MB4</b>	Medium blue
<b>BHL71DKGRN4</b>	Dark green
<b>BHL71OW4</b>	Off-white
<b>BHL71WT4</b>	White
<b>BHL71LTBU4</b>	Light blue
<b>BHL71T4</b>	Tan
<b>BHL71RD4</b>	Red
<b>BHL71LTGRN4</b>	Light green
<b>BHL71S4</b>	Saddle
<b>BHL71P4</b>	Parchment
<b>BHL71BRD4</b>	Bright red
<b>BHL71BRG4</b>	Burgundy
<b>BHL71DKBRN4</b>	Dark brown

## TOPS



### Convertible Tops

We offer the finest, most authentic Thunderbird convertible tops available anywhere. These tops are manufactured by Aero Convertible Tops and are made of Harts vinyl and carry a 5 year guarantee (except plastic window) on workmanship and materials.

<b>BST58BK</b>	58-60 Black vinyl soft top kit .....	<b>475.00</b>
<b>BST58WT</b>	58-60 White vinyl soft top kit.....	<b>475.00</b>
<b>BST58BKC</b>	58-60 Black Hartz stayfast canvas soft top kit ....	<b>750.00</b>
<b>BST61BK</b>	61-63 Black vinyl soft top kit .....	<b>475.00</b>
<b>BST61WT</b>	61-63 White vinyl soft top kit.....	<b>475.00</b>
<b>BST61BKC</b>	61-63 Black Hartz Stayfast canvas soft top kit ...	<b>750.00</b>
<b>BST64BK</b>	64-66 Black vinyl soft top kit .....	<b>475.00</b>
<b>BST64WT</b>	64-66 White vinyl soft top kit.....	<b>475.00</b>
<b>BST64FDWT</b>	64-66 Ford White vinyl soft top kit.....	<b>475.00</b>
<b>BST64BKC</b>	64-66 Black Hartz Stayfast canvas soft top kit ...	<b>750.00</b>

### Convertible Top Bow Pads

<b>BTP</b>	Black, pair, 58-60 .....	<b>89.00</b>
<b>BTP 61-66</b>	Black, with wire loop, 4 pieces, 61-66.....	<b>110.00</b>

### Landau Vinyl Tops

<b>BLT61BKC</b>	61-63 Black Cobra Grain.....	<b>320.00</b>
<b>BLT61BKL</b>	61-63 Black Levant Grain.....	<b>320.00</b>
<b>BLT61BUL</b>	61-63 Buckskin Levant Grain .....	<b>320.00</b>
<b>BLT61WTL</b>	61-63 White Levant Grain.....	<b>320.00</b>
<b>BLT64BKC</b>	64-66 Black Cobra Grain.....	<b>320.00</b>
<b>BLT64BKL</b>	64-66 Black Levant Grain.....	<b>320.00</b>
<b>BLT64BUL</b>	64-66 Buckskin Levant Grain .....	<b>320.00</b>
<b>BLT64WTL</b>	64-66 White Levant Grain.....	<b>320.00</b>
<b>BLT66BKC</b>	66 Black Cobra Grain without ¼ windows .....	<b>320.00</b>
<b>BLT66BKL</b>	66 Black Levant Grain without ¼ windows .....	<b>320.00</b>
<b>BLT66WTL</b>	66 White Levant Grain without ¼ windows .....	<b>320.00</b>
<b>BLT67-2B</b>	67-69 Black Levant 2 door .....	<b>320.00</b>
<b>BLT67-2W</b>	67-69 White Levant 2 door .....	<b>320.00</b>
<b>BLT67-4B</b>	67-69 Black Levant 4 door .....	<b>320.00</b>
<b>BLT67-4W</b>	67-69 White Levant 4 door .....	<b>320.00</b>
<b>BLT70-2B</b>	70-71 Black Levant grain 2 door with post.....	<b>320.00</b>
<b>BLT70-2W</b>	70-71 White Levant grain 2 door with post.....	<b>320.00</b>

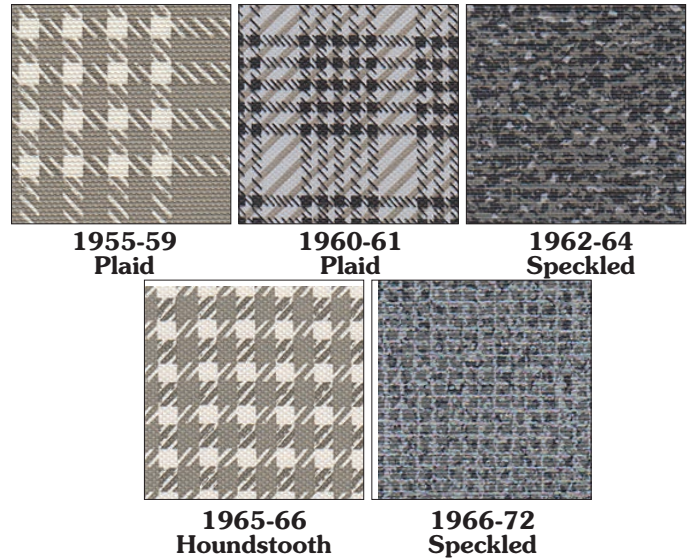


**Trunk Mats**

**1958-1972** These vinyl reproduction trunk mat sets are the **MOST authentic mat sets available anywhere.** They are felt backed and in the correct pattern and design for your Thunderbird. Our trunk mat sets feature zig-zag stitching as original, proper vinyl binding on the rear boards of the 1958-1960 mat sets, rear seat panel boards for all years, hanging curtains for the 1958-1960 convertible mat sets, top resting pads for all convertible mat sets, serged yarn bound edges in the proper places on the 1964-1966 mat sets and the correct style jack flap board or jack flap hanging curtain for all years. Complete trunk mat sets include the mats, ALL the boards and curtains with the correct material mounted on them.

**1958-72 Trunk Mat Sets**

- BTM58C** 58-59 convertible trunk mat set ..... 1955-59 plaid..... **199.50**
- BTM58HT** 58-59 hard top trunk mat set ..... 1955-59 plaid..... **199.50**
- BTM60C** 60 convertible trunk mat set ..... 1960-61 plaid..... **199.50**
- BTM60HT** 60 hard top trunk mat set ..... 1960-61 plaid..... **199.50**
- BTM61C** 61 convertible trunk mat set ..... 1960-61 plaid..... **199.50**
- BTM61HT** 61 hard top trunk mat set ..... 1960-61 plaid..... **199.50**
- BTM62C** 62 convertible trunk mat set ..... 1962-64 speckled ..... **199.50**
- BTM62HT** 62 hard top trunk mat set ..... 1962-64 speckled ..... **199.50**
- BTM63C** 63 convertible trunk mat set ..... 1962-64 speckled ..... **199.50**
- BTM63HT** 63 hard top trunk mat set ..... 1962-64 speckled ..... **199.50**
- BTM64C** 64 convertible trunk mat set ..... 1962-64 speckled ..... **199.50**
- BTM64HT** 64 hard top trunk mat set ..... 1962-64 speckled ..... **199.50**
- BTM65C** 65-66 convertible trunk mat set ... 1965-66 houndstooth .. **199.50**
- BTM65HT** 65-66 hard top trunk mat set ..... 1965-66 houndstooth .. **199.50**
- BTM66C** 65-66 convertible trunk mat set ... 1965-72 speckled ..... **199.50**
- BTM66HT** 65-66 hard top trunk mat set ..... 1965-72 speckled ..... **199.50**
- BTM67** 67-72 hard top trunk mat set ..... 1965-72 speckled ..... **239.95**



**Tire Cover**



**Delux Tire Cover**

**Spare Tire Covers**

1958-1972 These spare tire covers match our trunk mat sets. Standard tire covers are available for all years. We also have reproduced the 1964-1966 Deluxe tire cover with the board backing and the center access flap as original for the convertibles.

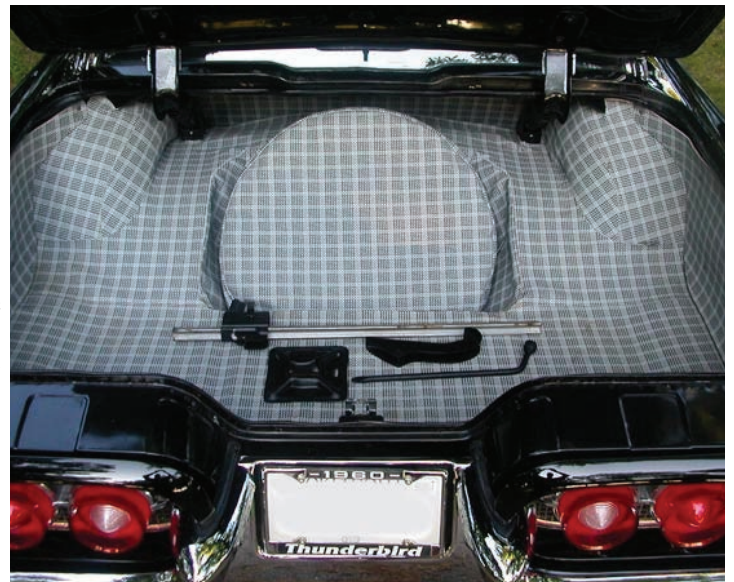
**Tire Covers**

- TC55** 1955-1959 tire cover ..... 55-59 plaid ..... **42.95**
- TC60** 1960-61 tire cover ..... 60-61 plaid ..... **42.95**
- TC62** 1962-64 tire cover ..... 62-64 speckled ..... **42.95**
- TC65** 65 early 66 tire cover ..... 65-66 houndstooth ..... **42.95**
- TC66** 1966-1972 tire cover ..... 66-72 speckled ..... **42.95**

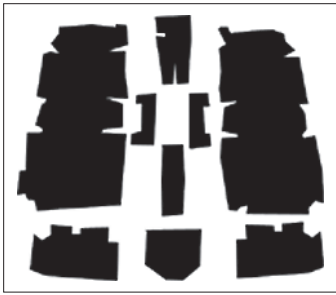
**Deluxe Tire Covers for Convertibles**

- DTC64** 64 deluxe tire cover ..... speckled ..... **98.95**
- DTC65** 65, early 66 deluxe tire cover ..... houndstooth ..... **98.95**
- DTC66** 66 deluxe tire cover ..... speckled ..... **98.95**

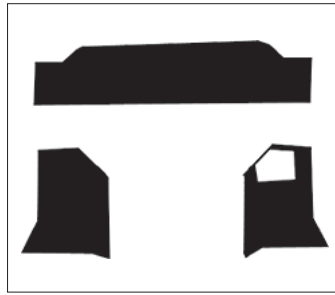
**1960 Trunk Mat and Tire Cover Installed**



**10% Quantity Discount on Orders over \$1000**  
**See back of order form**



Floor Kit



Cowl Kit



Roof Kit



Body Kit



Roof to Road Solutions to Control Automotive Noise, Vibration and Heat

**NEW - AcoustiSHIELD Kits.** Current technology in automotive design incorporates sound control systems and acoustic materials throughout the vehicle - from the engine bay to the trunk compartment. The purpose of these materials is to dampen, insulate and absorb the heat, cold and noise from the passenger compartment. In a typical luxury sedan, there is approximately 100 pounds of sound and heat control material incorporated into the interior body work of the vehicle. Its primary mission is to protect the passenger cabin from external noise. The ultimate goal is to create a "sound proof box."

By using the AcoustiSHIELD materials during the restoration or custom car building process you can soften the ride, deaden the noise, isolate the mechanical source of heat and control the forces of the external environment - and all of these remedies are easily hidden behind upholstery panels.

**FLOOR KITS:** front floor, rear floor, transmission hump and driveline

Q58F	58-60, coupe floor kit .....	267.00
Q58CF	58-60, convertible floor kit .....	267.00
Q61F	61-63, coupe floor kit .....	267.00
Q61CF	61-63, convertible floor kit .....	267.00
Q64F	64-66, coupe floor kit .....	267.00
Q64CF	64-66, convertible floor kit .....	267.00

**COWL KITS:** panels between the firewall and front door

Q58E	58-60, coupe cowl kit .....	103.00
Q58CE	58-60, convertible cowl kit .....	103.00
Q61E	61-63, coupe cowl kit .....	103.00
Q61CE	61-63, convertible cowl kit .....	103.00
Q64E	64-66, coupe cowl kit .....	103.00
Q64CE	64-66, convertible cowl kit .....	103.00

**ROOF/UNDER HEADLINER KITS:** roof and 1/4 panels above beltline

Q58R	58-60, coupe.....	149.00
Q61R	61-63, coupe.....	149.00
Q64R	64-66, coupe.....	149.00

**BODY PANEL KITS:** all panels below the beltline including package tray, seat divider, rear wheel wells, fenders, rear quarters and tail panels (as required)

Q58B	58-60, coupe.....	178.00
Q58CB	58-60, convertible.....	178.00
Q61B	61-63, coupe.....	178.00
Q61CB	61-63, convertible.....	178.00
Q64B	64-66, coupe.....	178.00
Q64CB	64-66, convertible.....	178.00

**TRUNK:** trunk floor and tire well

Q58T	58-60, coupe.....	149.00
Q58CT	58-60, convertible.....	149.00
Q61T	61-63, coupe.....	149.00
Q61CT	61-63, convertible.....	149.00
Q64T	64-66, coupe.....	149.00
Q64CT	64-66, convertible.....	149.00

**DOOR PANEL KITS**

QDP	58-72, Universal 2 door damper/barrier kit .....	67.00
QDP-4	67-72, 4 door cars.....	131.00

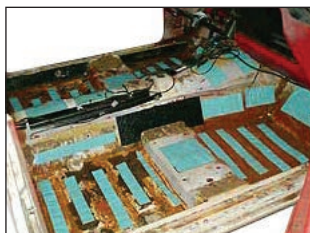
**FIREWALL:** Fits under dash against the firewall bulkhead

Q58D	58-60.....	225.00
Q61D	61-63.....	298.95
Q64D	64-66.....	217.00

**INSULATION KIT:** These kits include the floor kit, cowl kit, body panel kit, trunk kit and door damper kit. Kits for a coupe also include the roof kit. Firewall kit must be purchased separately.

Q58AK	58-60, coupe.....	861.00
Q58BK	58-60, convertible.....	722.00
Q61AK	61-63, coupe.....	861.00
Q61BK	61-63, convertible.....	722.00
Q64AK	64-66, coupe.....	861.00
Q64BK	64-66, convertible.....	722.00

• • NOTE • • Please allow 3-4 weeks for delivery.



# AcoustiHOOD

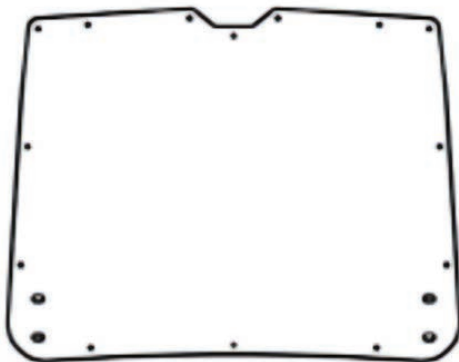
## Underhood Cover and Insulation Shield



3-D Molded hood or trunk covers for that custom look. Tough, high temperature ABS cover with Heatshield insulation panels, precut and ready to install. Under hood covers are manufactured to cover the structural ribs on the under side of the hood surface. At least 1" clearance is required between the under hood rib structure surface and engine components, including the air filter housing. Some hoods may require the drilling of hood cover mounting holes. Instructions are included in the kit.

### Hood Covers

<b>T55ABSH</b>	55-57.....	<b>269.00</b>
<b>T58ABSH</b>	58-59.....	<b>251.00</b>
<b>T60ABSH</b>	60.....	<b>251.00</b>
<b>T61ABSH</b>	61-63.....	<b>251.00</b>
<b>T64ABSH</b>	64.....	<b>251.00</b>
<b>T65ABSH</b>	65.....	<b>251.00</b>
<b>T66ABSH</b>	66.....	<b>251.00</b>
<b>T67ABSH</b>	67-69.....	<b>251.00</b>



# AcoustiTRUNK

Most vehicles have little or no insulation in the rear trunk area which allows the vibration and noise from the trunk floor pan to enter the passenger cabin. Now you can stop the noise, vibration and heat and dress up the trunk area with QuietRide's new AcoustiTrunk Floor Mat and Insulation kit.

When you purchase an AcoustiTrunk kit, you get two parts:  
AcoustiShield Trunk Insulation  
AcoustiTrunk Floor Mat

### Insulation

The AcoustiSHIELD Trunk Insulation kit for your vehicle is year-make-model specific. This two-stage thermal acoustic kit includes Dynamat Xtreme and HeatShield Insulation panels to stop trunk floor pan vibration, noise and heat. It's pre-cut and ready to install and comes with illustrated installation instructions.

### Trunk Covers

<b>T55ABST</b>	55-57.....	<b>159.95</b>
<b>T58ABST</b>	58-60 for hardtop.....	<b>157.00</b>
<b>T61ABST</b>	61-63 for hardtop.....	<b>157.00</b>
<b>T64ABST</b>	64-66 for hardtop.....	<b>157.00</b>
<b>T64ABSTC</b>	64-66 for convertible.....	<b>157.00</b>
<b>T67ABST</b>	67-69.....	<b>157.00</b>

**ACC 5 ZDDP Oil Additive**

An oil supplement that contains very high concentrations of the well known additive ZDD (Zinc Dialkyl Dithiophosphate), which has been the primary EP (extreme pressure) ingredient in all quality motor oils for over 70 years, now deleted from most oil brands. This is a must for all flat tappet camshaft designed engines ..... **10.95**



**ACC 10 DASH BEZEL TOOL**

A must for removing the instruments bezels on your dash, 58-60 ..... **6.95**



**BACC 13 CAR COVERS**

**BACC13A** Soft, water repellent, polycotton with elastic corners.. **236.03**

**BACC13B** Extra soft, flannel backed, water repellent, cross-woven (extra strong) poly-cotton with elastic corners ..... **273.24**

**ACC13G** Storage bag for car cover, tan polycotton..... **10.95**

**ACC13H** Cable and lock for car covers ..... **15.95**



**ACC 14 LICENSE PLATE FRAME PAIRS**

<b>ACC14CTB</b>	"Classic Thunderbird" .....	<b>15.95</b>
<b>ACC14D</b>	1958 Thunderbird .....	<b>15.95</b>
<b>ACC14E</b>	1959 Thunderbird .....	<b>15.95</b>
<b>ACC14F</b>	1960 Thunderbird .....	<b>15.95</b>
<b>ACC14G</b>	1961 Thunderbird .....	<b>15.95</b>
<b>ACC14H</b>	1962 Thunderbird .....	<b>15.95</b>
<b>ACC14I</b>	1963 Thunderbird .....	<b>15.95</b>
<b>ACC14J</b>	1964 Thunderbird .....	<b>15.95</b>
<b>ACC14K</b>	1965 Thunderbird .....	<b>15.95</b>
<b>ACC14L</b>	1966 Thunderbird .....	<b>15.95</b>
<b>ACC14M</b>	1967 Thunderbird .....	<b>15.95</b>
<b>ACC14N</b>	1968 Thunderbird .....	<b>15.95</b>
<b>ACC14O</b>	1969 Thunderbird .....	<b>15.95</b>
<b>ACC14P</b>	1970 Thunderbird .....	<b>15.95</b>
<b>ACC14Q</b>	1971 Thunderbird .....	<b>15.95</b>
<b>ACC14R</b>	1972 Thunderbird .....	<b>15.95</b>



**ACC12**



**ACC12E**



**ACC12F**



**ACC12L**



**ACC12M**

**ACC 12 FENDER COVERS**

These large, 26" x 40" foam backed black vinyl fender covers are a must for protecting your fenders.

<b>ACC12</b>	Thunderbird emblem.....	<b>31.95</b>
<b>ACC12E</b>	Edsel emblem .....	<b>27.95</b>
<b>ACC12F</b>	Ford emblem.....	<b>27.95</b>
<b>ACC12L</b>	Lincoln emblem.....	<b>27.95</b>
<b>ACC12M</b>	Mercury emblem.....	<b>27.95</b>

**Gift Certificates Available!**



**ACC 15 1958-60 THUNDERBIRD FLOOR MATS**

These are high quality rubber floor mats with the Thunderbird emblem near the top and Thunderbird script near the middle.

- ACC15AR** Black with White emblem, front and rear set..... **129.95**
- ACC15BR** Red with White emblem, front and rear set..... **129.95**
- ACC15CR** Blue with White emblem, front and rear set..... **129.95**
- ACC15FR** Aqua with White emblem, front and rear set..... **129.95**
- ACC15GR** Green with White emblem, front and rear set..... **129.95**



**ACC 16 1961-63 THUNDERBIRD FLOOR MATS**

These are high quality rubber floor mats with the Thunderbird emblem near the top and Thunderbird script near the middle.

- ACC16AR** Black with White emblem, front and rear set..... **129.95**
- ACC16BR** Red with White emblem, front and rear set..... **129.95**
- ACC16CR** Blue with White emblem, front and rear set..... **129.95**
- ACC16FR** Aqua with White emblem, front and rear set..... **129.95**
- ACC16GR** Dark Green with White emblem, front and rear set.... **129.95**



**ACC 17 1964-66 THUNDERBIRD FLOOR MATS**

These are high quality rubber floor mats with the Thunderbird emblem near the top.

- ACC17AR** Black with White emblem, front and rear set..... **129.95**
- ACC17BR** Red with White emblem, front and rear set..... **129.95**
- ACC17CR** Blue with White emblem, front and rear set..... **129.95**
- ACC17FR** Aqua with White emblem, front and rear set..... **129.95**
- ACC17GR** Burgundy with White emblem, front and rear set..... **129.50**

**ACC 18 1967-71 THUNDERBIRD FLOOR MATS**

These high quality carpet (no logo) floor mats are vinyl bound and are Thunderbird specific for these years.

- ACC18AR** Black..... **158.95**
- ACC18BR** Red..... **158.95**
- ACC18CR** Dark Blue..... **158.95**
- ACC18DR** Medium Blue..... **158.95**
- ACC18ER** Fawn / Sandalwood..... **158.95**
- ACC18FR** Aqua..... **158.95**
- ACC18GR** Maroon..... **158.95**
- ACC18HR** Dark Green..... **158.95**
- ACC18IR** Moss Green..... **158.95**
- ACC18JR** Gunmetal Gray..... **158.95**



**ACC23A60-61**



**ACC23B65**



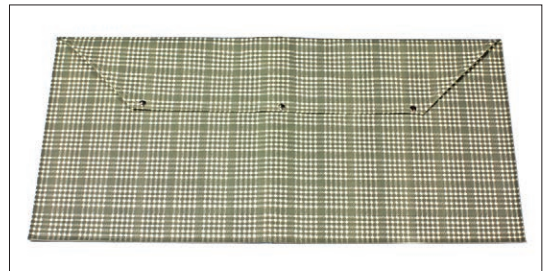
**ACC23C66-68**

**ACC 23 TRUNK STORAGE BAGS**

Hide that unsightly lug wrench, tools or flares in a bag that matches your trunk mat. Available in three sizes and all five trunk mat materials.

Small - 8" x 15", Medium - 10" x 15", Large - 16" x 20"

- ACC23A** 55-59 small..... **12.95**
- ACC23A60-61** 60-61 small..... **12.95**
- ACC23A62-64** 62-64 small..... **12.95**
- ACC23A65** 65 small..... **12.95**
- ACC23A66-68** 66-72 small..... **12.95**
- ACC23B** 55-59 medium..... **14.95**
- ACC23B60-61** 60-61 medium..... **14.95**
- ACC23B62-64** 62-64 medium..... **14.95**
- ACC23B65** 65 medium..... **14.95**
- ACC23B66-68** 66-72 medium..... **14.95**
- ACC23C** 55-59 large..... **16.95**
- ACC23C60-61** 60-61 large..... **16.95**
- ACC23C62-64** 62-64 large..... **16.95**
- ACC23C65** 65 large..... **16.95**
- ACC23C66-68** 66-72 large..... **16.95**



**ACC 23 FENDER SKIRT BAGS**

A must for storing your fender skirts.

- ACC23D-55** 55-59..... **49.95**
- ACC23D-60** 60-61..... **49.95**
- ACC23D-62** 62-64..... **49.95**
- ACC23D-65** 65..... **49.95**
- ACC23D-66** 66-72..... **49.95**



Style 1



Style 2



ACC 24T

ACC24 SEAT BELTS, 60" replacement, with mounting hardware.

24A Black (2)	32.95
24B Red (2)	32.95
24D Medium blue (2)	32.95
24H Charcoal (1)	19.95
24K Turquoise, (2)	32.95
24M White (2)	32.95
24N Dark green (2)	32.95
24P Beige (2)	32.95
24R Red (1)	19.95
24S Dark blue (2)	32.95
24T Retractor	9.95
24U Lap belt underbody reinforcement plate set, 1 per belt required	29.50

- NOTE •• Seat belts are priced per person
- NOTE •• (1) Push in style buckle
- NOTE •• (2) Chrome lift lid buckle
- NOTE •• 72" belts available

CALL



**ACC28A TRAILER TIE DOWN**

Protect your Bird. This heavy duty ratchet tie down is manufactured of heavy duty webbing strap and heavy duty ratchet assembly with snap hooks on both ends. Our tie down has a 1600 lb. load strength and 5000 lb. breaking strength. You can't afford to trailer your Bird without one..... 24.95

**ACC28B TRAILER TIE DOWN**

Deluxe tie down assembly. This model has more cross stitching on the webbing straps, heavier ratchet assembly and a stronger snap hook on both ends. Load strength of this model is 3,300 lb. and 10,000 lb. breaking strength.....29.95

**ACC28C AXLE STRAP**

Our 18 inch heavy duty webbing strap has a load strength of 3,300 lb. and a breaking strength of 10,000 lb. Each ..... 12.50

ACC31 Hog rings and pliers ..... 48.95

ACC31P Professional type pliers only ..... 44.95

ACC31HO Hog rings only ..... 3.50



**ACC34 COOLANT RECOVERY KIT**

A complete coolant recovery kit including the recovery bottle, hose, radiator cap and attaching hardware ..... 24.95

**22051 ORIGINAL EQUIPMENT KEY BLANKS**

22051K 55-64, reproduction, pair ..... 6.00

B22051D 65-72, reproduction, pair ..... 6.95



22051A



B22051F

**22051 ACCESSORY KEY BLANKS**

22051A NEW 55-64 Thunderbird deluxe key blanks, pair..... 24.95

B22051F NEW 65-72 Thunderbird deluxe key blanks, pair..... 24.95



ACC35A



ACC35E



ACC35L



ACC35M



ACC35PK



ACC35TB

**ACC35 KEY FOBs**

ACC35A NEW Ford Crest Logo ..... 12.95

ACC35E NEW Edsel Logo..... 12.95

ACC35L NEW Lincoln Logo ..... 12.95

ACC35M NEW Mercury Logo ..... 12.95

ACC35PK NEW Ford Pickup Logo ..... 12.95

ACC35TB NEW Thunderbird Logo ..... 12.95



**ACC42 DASH COVERS**

Made from 100% polyester fade resistant material. Includes Velcro fasteners for non slip fit.

58-60 Black, Blue, Green, Tan and Dark Brown ..... 42.95

61-62 Black, Blue, Tan and Dark Brown ..... 42.95

62-63 Black, Blue, Tan, and Dark Brown ..... 42.95

64 Black, Blue and Brown..... 42.95

65-66 Black, Maroon, Blue and Brown ..... 42.95

•• NOTE •• 62-63 cars with replacement dash need to use 61-62 style dash cover.

ACC55B 58-65 wiper nut socket wrench, to remove 370695S..... 19.95

ACC56 55-60 master cylinder cap wrench, to easily loosen the master cylinder cap without damaging the finish ..... 8.95



**Custom Autosound Car Audio**

All of these units are available for 1958 - 1966 EXCEPT will not replace AM/FM 8 track units.

**MODEL ACC33-02 Radio**

**Features:**

- 30 Presets (12AM-18FM)
- 200 watts (4 x 50)
- USB Interface plays MP3/WMA files from flash drive
- Alphanumeric display for MP3/WMA files
- AM/FM Stereo
- Power Antenna Lead
- Digital Clock
- Electronic Tuner
- RCA Pre-outs
- Auxiliary Input
- 4 Channel RCA Pre-outs
- Chrome Faceplate

<b>ACC33-M1-02</b>	58-60.....	<b>225.00</b>
<b>ACC33-M2-02</b>	61-63.....	<b>225.00</b>
<b>ACC33-M3-02</b>	64-66.....	<b>225.00</b>



**MODEL ACC33-07 Radio**

**Features:**

Does this have presets?

- 300 watts
- USB interface plays MP3/WMA/FLAC/WAV files
- RCA Auxiliary Input
- Compatible with satellite radio, iPod or any portable player
- AM/FM RDS tuner
- 4 channel RCA Pre-outs
- Subwoofer RCA Pre-out

<b>ACC33-M1-07</b>	58-60.....	384.00
<b>ACC33-M2-07</b>	61-63.....	384.00
<b>ACC33-M3-07</b>	64-66.....	384.00

**MODEL ACC33-ICam iPod interface for CD controller radios**

This adapter will give you the best possible sound from your iPod while playing through your car stereo. Simply plug the iCAMKit into the CD changer port on the back of your Custom Autosound radio and plug in your iPod. The unit will turn on, turn off and charge your iPod. Song selection is made with the CD control buttons on your Custom Autosound radio and includes playlist selection and random song selection.

**iPod not included**..... **109.00**



**MODEL ACC 33S Secret Audio Sound**

Hideaway 200 Watt (50 X 4) AM/FM CD controller with USB MP3/WMA flash drive, iPod control, CD control, Satellite Radio control. Other features include subwoofer pre-out and 5 selectable EQ curves. This system has a ZERO memory current draw - WILL NOT drain your battery when not in use. Featuring "RF" (radio frequency) remote control. Leave your original radio intact! Alpha numeric LCD display unit can be mounted almost anywhere and be controlled by a wireless remote from up to 40 feet away. The tuner/amplifier unit can be hidden out of sight (under seat or dash). Includes a 10' cable from LCD panel to the tuner/amp. Two mounting options included (flush mount bezel and a swivel mount bracket).

**Model ACC33-S** ..... **384.00**

**Antique Auto Radios**



**ACC33-AR-3 12 volt NEW 58/60 AM/FM Stereo Radio -**

Original looking reproduction. Exact fit, correct knobs and push-buttons and more options than the originals! Has 2 RCA input jacks to allow accessories such as MP3, iPod, CD player or satellite receiver to be added. 180 watts (45 x 4) 5AM/5FM presets. 9" x 2.65" x 2.5" depth. 1/2" D shafts for knobs, included.

<b>ACC33-AR-3A</b>	58.....	<b>687.50</b>
<b>ACC33-AR-3B</b>	59.....	<b>687.50</b>
<b>ACC33-AR-3C</b>	60.....	<b>687.50</b>



**ACC33-AR-2 12 volt NEW 61-63 AM/FM Stereo Radio -**

Original looking reproduction. Exact fit, correct knobs and push-buttons and more options than the originals! Has 2 RCA input jacks to allow accessories such as MP3, iPod, CD player or satellite receiver to be added. 180 watts (45 x 4) 5AM/5FM presets. 9" x 2.65" x 2.5" depth. 1/2" D shafts for knobs, included..... **687.50**

**ACC33-AR-4 12 volt NEW 64-66 AM/FM Stereo Radio -**

Original looking reproduction. Exact fit, correct knobs and push-buttons and more options than the originals!..... **CALL**

**Undercover Speakers**



**ACC33-U1 Under seat or horizontal speakers**

These are a compact unit with one 5 1/2" woofer and piezo tweeter in each. 120 Watt capacity. Each one measures 8 1/4" wide x 11 1/4" long x 3" high.

**Pair.....149.00**

• • NOTE • • May not fit under power seats.



**ACC33-U2 Under seat or horizontal speakers**

More powerful than the U1. These have an 8" woofer and 2 piezo tweeters in each box and are 200 Watt capacity. Each one measures 11" wide x 12 1/2" long x 3" high.

**Pair.....192.00**

• • NOTE • • May not fit under power seats.



**ACC33A**



**ACC33C**

**ACC33 THUNDERBIRD SPEAKERS**

Two 3 1/2" cone, 6 oz. speakers mounted on a 1/4" board. Dual speakers mount in the original dash, console or rear location.

**ACC33A** 58-60, console.....**CALL**

**ACC33B** 61-63, front.....**52.00**

**ACC33C** 64-72, front.....**52.00**

**ACC33D** 64-66, rear.....**52.00**



**ACC33F**



**ACC33G**

**Dual Voice Coil (DVC) speakers:**

These speakers have up to 70% more cone area than the conventional dual speaker setup giving you improved bass response and 140 watt power handling. Both stereo channels connect directly to one speaker.

**ACC33F** 61-63, dash.....**70.00**

**ACC33G** 64-66, dash.....**63.00**

**ACC33H** 64-66, rear.....**63.00**

**18808 Standard AM Speaker**

**18808A** 61-63, 6" x 9", front.....**25.95**

**B18808C** 66, door, 100 watts.....**18.95**

**B18808D** 64-72, 4" x 10", front.....**18.95**

**B18808G** 64-66, 5" x 7", rear.....**18.95**

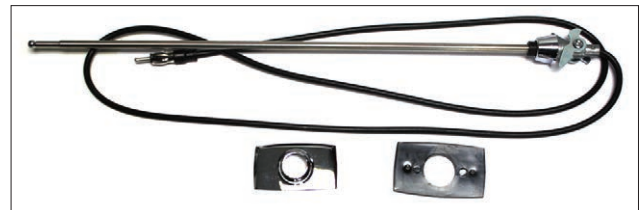
**Bluetooth Interface**

This is a Bluetooth interface for Custom Autosound's CD controller radios (models 630 or Secret Audio manufactured after 4/03) which connects to 8-PIN DIN at head unit.

This adapter plugs into the CD changer port of your radio and gives you the ability to do hands free calling from your Bluetooth capable phone/ listen to music stored on your A2DP enabled Bluetooth device. If you have a CD player attached to your radio it will still work with the adapter plugged in. **ACC33-B.....127.00**



**ACC33-AR-B** Bluetooth adapter for any radio with an auxiliary input port.....**39.95**



**B18813B**

**18813 Antennas**

**18813B** 58-66, rear deck mount, replacement type.....**99.95**

**B18813B** 61-63, rectangular base, replacement.....**42.95**

**B18813BR** 61-63, exact reproduction.....**78.95**

**B18813CR** 58-60, front fender, exact reproduction.....**114.95**

**B18813DR** 64-66, round base, exact reproduction.....**78.95**

**18813E** 58-66, replacement electric antenna kit.....**69.95**

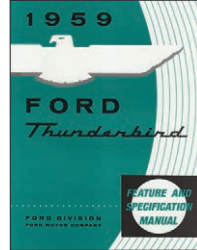
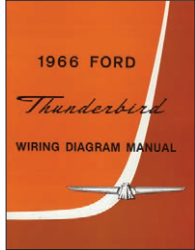


**Thousands  
of Parts  
in Stock  
and Ready  
to Ship**



- BLIT1 OWNERS MANUALS:** Reprints of the originals, in color.
- |                         |              |                         |              |
|-------------------------|--------------|-------------------------|--------------|
| <b>BLIT1A</b> 1958..... | <b>14.95</b> | <b>BLIT1F</b> 1963..... | <b>14.95</b> |
| <b>BLIT1B</b> 1959..... | <b>14.95</b> | <b>BLIT1G</b> 1964..... | <b>14.95</b> |
| <b>BLIT1C</b> 1960..... | <b>14.95</b> | <b>BLIT1H</b> 1965..... | <b>14.95</b> |
| <b>BLIT1D</b> 1961..... | <b>14.95</b> | <b>BLIT1I</b> 1966..... | <b>14.95</b> |
| <b>BLIT1E</b> 1962..... | <b>14.95</b> |                         |              |

•• NOTE •• For Owner's Manual Envelopes use DC335 & DC648



- BLIT2 WIRING DIAGRAMS:** Complete color guide to wiring.
- |                         |             |                         |             |
|-------------------------|-------------|-------------------------|-------------|
| <b>BLIT2A</b> 1958..... | <b>7.00</b> | <b>BLIT2G</b> 1964..... | <b>7.00</b> |
| <b>BLIT2B</b> 1959..... | <b>7.00</b> | <b>BLIT2H</b> 1965..... | <b>7.00</b> |
| <b>BLIT2C</b> 1960..... | <b>7.00</b> | <b>BLIT2I</b> 1966..... | <b>7.00</b> |
| <b>BLIT2D</b> 1961..... | <b>7.00</b> | <b>BLIT2J</b> 1967..... | <b>8.95</b> |
| <b>BLIT2E</b> 1962..... | <b>7.00</b> | <b>BLIT2K</b> 1968..... | <b>8.95</b> |
| <b>BLIT2F</b> 1963..... | <b>7.00</b> |                         |             |

- BLIT3 CONVERTIBLE TOP REPAIR MANUAL:**
- |                              |             |                              |             |
|------------------------------|-------------|------------------------------|-------------|
| <b>BLIT3A</b> 1958-1960..... | <b>7.00</b> | <b>BLIT3C</b> 1964-1966..... | <b>7.00</b> |
| <b>BLIT3B</b> 1961-1963..... | <b>7.00</b> |                              |             |

- BLIT4 FEATURE AND SPECIFICATION MANUAL:** Data manuals covering options, accessories, engines, transmissions, interiors, paint and trim.
- |                         |             |                         |              |
|-------------------------|-------------|-------------------------|--------------|
| <b>BLIT4A</b> 1958..... | <b>7.00</b> | <b>BLIT4G</b> 1964..... | <b>7.00</b>  |
| <b>BLIT4B</b> 1959..... | <b>7.00</b> | <b>BLIT4H</b> 1965..... | <b>7.00</b>  |
| <b>BLIT4C</b> 1960..... | <b>7.00</b> | <b>BLIT4I</b> 1966..... | <b>7.00</b>  |
| <b>BLIT4E</b> 1962..... | <b>7.00</b> | <b>BLIT4J</b> 1967..... | <b>10.50</b> |
| <b>BLIT4F</b> 1963..... | <b>7.00</b> |                         |              |

- BLIT5 VACUUM SCHEMATICS:**
- |                         |             |                         |             |
|-------------------------|-------------|-------------------------|-------------|
| <b>BLIT5J</b> 1967..... | <b>9.95</b> | <b>BLIT5K</b> 1968..... | <b>9.95</b> |
|-------------------------|-------------|-------------------------|-------------|



LIT6G

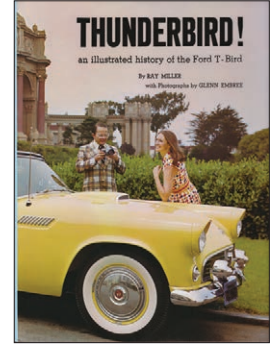


LIT7G

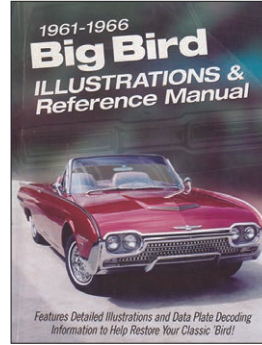
- BLIT6 BODY AND INTERIOR ASSEMBLY MANUAL:**
- |                         |              |                         |              |
|-------------------------|--------------|-------------------------|--------------|
| <b>BLIT6A</b> 1958..... | <b>26.00</b> | <b>BLIT6F</b> 1963..... | <b>26.00</b> |
| <b>BLIT6B</b> 1959..... | <b>26.00</b> | <b>BLIT6G</b> 1964..... | <b>26.00</b> |
| <b>BLIT6C</b> 1960..... | <b>26.00</b> | <b>BLIT6H</b> 1965..... | <b>26.00</b> |
| <b>BLIT6D</b> 1961..... | <b>26.00</b> | <b>BLIT6I</b> 1966..... | <b>26.00</b> |
| <b>BLIT6E</b> 1962..... | <b>26.00</b> |                         |              |
- BLIT7 ELECTRICAL ASSEMBLY MANUAL:**
- |                         |              |                         |              |
|-------------------------|--------------|-------------------------|--------------|
| <b>BLIT7B</b> 1959..... | <b>17.00</b> | <b>BLIT7F</b> 1963..... | <b>17.00</b> |
| <b>BLIT7C</b> 1960..... | <b>17.00</b> | <b>BLIT7G</b> 1964..... | <b>17.00</b> |
| <b>BLIT7D</b> 1961..... | <b>17.00</b> | <b>BLIT7H</b> 1965..... | <b>17.00</b> |
| <b>BLIT7E</b> 1962..... | <b>17.00</b> | <b>BLIT7I</b> 1966..... | <b>17.00</b> |
- BLIT8 ENGINE MANUALS:**
- |                         |              |                         |              |
|-------------------------|--------------|-------------------------|--------------|
| <b>BLIT8F</b> 1963..... | <b>17.00</b> | <b>BLIT8G</b> 1964..... | <b>17.00</b> |
| <b>BLIT8H</b> 1965..... | <b>17.00</b> | <b>BLIT8I</b> 1966..... | <b>17.00</b> |
| <b>BLIT8J</b> 1967..... | <b>17.00</b> | <b>BLIT8L</b> 1969..... | <b>17.00</b> |



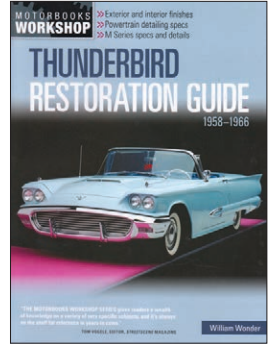
BLIT13F



LIT17A



BLIT19



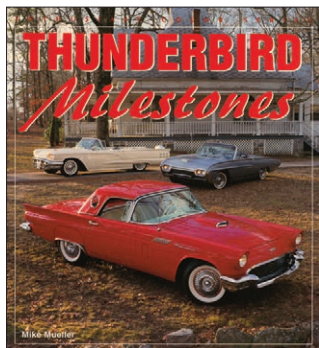
BLIT24

- BLIT13 SHOP MANUALS:** A must for every owner.
- |                                 |              |                                    |              |
|---------------------------------|--------------|------------------------------------|--------------|
| <b>BLIT13A</b> 1958.....        | <b>36.95</b> | <b>BLIT13I</b> 1966.....           | <b>44.95</b> |
| <b>BLIT13B</b> 1959.....        | <b>36.95</b> | <b>BLIT13J</b> 1967.....           | <b>36.95</b> |
| <b>BLIT13C</b> 1960.....        | <b>36.95</b> | <b>BLIT13K</b> 1968, supplement    | <b>26.95</b> |
| <b>BLIT13D</b> 1961.....        | <b>36.95</b> | <b>BLIT13L</b> 1969, 5 vol. set .. | <b>85.95</b> |
| <b>BLIT13E</b> 1962.....        | <b>36.95</b> | <b>BLIT13M</b> 1970, 5 vol. set .. | <b>85.95</b> |
| <b>BLIT13F</b> 1963, supplement | <b>14.95</b> | <b>BLIT13N</b> 1971, 5 vol. set .. | <b>79.95</b> |
| <b>BLIT13G</b> 1964.....        | <b>36.95</b> | <b>BLIT13O</b> 1972, 5 vol. set .. | <b>79.95</b> |
| <b>BLIT13H</b> 1965.....        | <b>36.95</b> | <b>BLIT13P</b> 1973, 5 vol. set .. | <b>79.95</b> |
- NOTE •• The 1963 shop manual is a supplement. You also need 1962  
 •• NOTE •• The 1968 shop manual is a supplement. You also need 1967

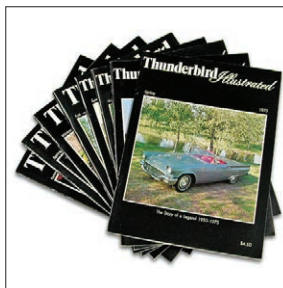
- LIT17 THE FORD ROAD SERIES:** By Ray Miller. Each book is an illustrated history of its subject with approximately 1,000 photographs and illustrations.
- LIT17A Thunderbird!:** An illustrated history of the Ford Thunderbird, 304 pages, 1,089 photos and charts ..... **59.95**
- LIT17B Mustang Does It!:** An illustrated history of the Ford Mustang, 320 pages, 1,100 photos and charts ..... **59.95**
- LIT17D Henry's Lady:** An illustrated history of the Model A Ford, 302 pages, 1,029 photos and charts ..... **59.95**
- LIT17E The V-8 Affair:** An illustrated history of the pre-war Ford, 303 pages, 993 photos and charts ..... **59.95**
- LIT17F The Nifty Fifties:** An illustrated history of the post-war Fords, 320 pages, 1,320 photos and charts ..... **59.95**

- BLIT18 58/60 Thunderbird Illustration Manual:**..... **13.45**
- BLIT19 61/66 Thunderbird Illustration:**  
 Features detailed illustrations and data plate decoding. 213 pages.... **15.95**

- BLIT24 Thunderbird Restoration Guide: 1958-1966** This guide covers the details that make 58-66 T-Birds unique. All models are covered from hardtops to sunroofs and convertibles. Clear and accurate descriptions, diagrams and photographs for a top-notch restoration. 240 pages, over 300 photos, factory drawings and tables ..... **34.95**



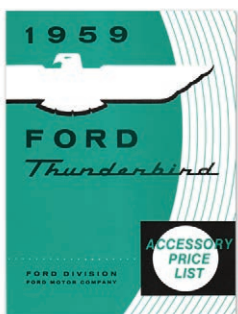
**LIT25 Thunderbird Milestones:**  
From the first models of 1955 to the final production year of 1997, *Thunderbird Milestones* explores the design changes, technical decisions, and marketing strategies that made the T-bird into Ford's signature car for more than 40 years ..... **14.95**



**LIT30 Thunderbird Illustrated Magazines:**  
This is a set of 8 magazines from the fall issue of 1974 to the spring issue of 1975. This set is a real collector's item and a **must** for the Thunderbird enthusiast. Some of the articles include such motion picture and television cars as the "American Graffiti" 1956 that Suzanne Somers drove to the 1956 seen on the TV series "Movin' On", the 1957 from the "Matt Helm" TV series and the George Barris 1964 custom for the "Munsters" TV series. Famous people's cars such as Barbara Streisand's 1957 and Senator Barry Goldwater's 1955 are also included. Special articles can also be found on cars such as the one of kind 1960 stainless steel model built for Ford by the Allegheny Ludlum Steel Company, Arthur Ahlstone's dual carb "E" model 1957, the "Ford Mexico" experimental car, Sport Roadsters, Super Charged "F" models and many more. This set of 8 has 388 packed pages with over 105 color and 400 black and white photographs ..... **89.00**

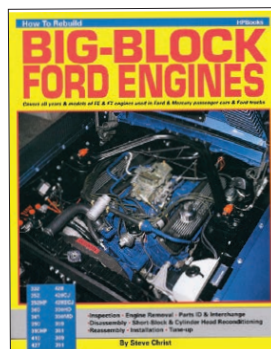


**LIT31 Thunderbird: 50 Years of Thunder:**  
Very detailed overview of Thunderbird history from 1955-2005. A Year by year coverage of every model with paint and trim codes, VIN numbers and technical specifications. 192 pages, over 150 photographs ... **39.95**



**Accessory Price List**

DC209	59	3.00
DC210	60	3.00
DC211	61	3.00
DC212	62	3.00
DC213	63	3.00
DC214	64	3.00



**BLIT32 How to Rebuild Your Big-Block Ford Engines:**  
Details how you can rebuild your FE or FT engine to perfect running condition using factory stock components. All rebuilding steps are covered with easy to understand text, illustrated with over 500 photos, charts, drawings and diagrams. You'll find tips on engine removal, disassembly, parts reconditioning, assembly and installation. Also included is a section on parts ID and swapping and correct listing of casting numbers ..... **24.95**

**COMPLETE LITERATURE SETS**

Get the complete collection of literature for your Thunderbird at a **discounted price**. These sets include the following:

- Shop Manual
- Owner's Manual
- Wiring Diagrams
- Features & Specifications Manual
- Body & Trim Assembly Manual
- Illustration Manual
- Restoration Guide

The convertible top set includes all of the above plus a convertible top repair manual.



**HARD TOP:**

BLIT58HMS	1958, 7 manuals	126.00
BLIT59HMS	1959, 8 manuals	140.95
BLIT60HMS	1960, 8 manuals	143.95
BLIT61HMS	1961, 7 manuals	134.50
BLIT62HMS	1962, 8 manuals	143.95
BLIT63HMS	1963, 9 manuals	157.25
BLIT64HMS	1964, 8 manuals	143.95
BLIT65HMS	1965, 8 manuals	143.95
BLIT66HMS	1966, 8 manuals	143.95

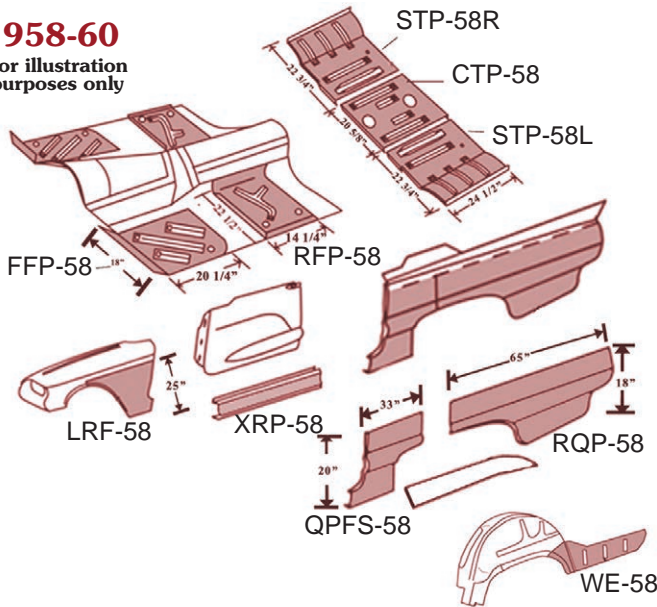
**CONVERTIBLE TOP:**

BLIT58CMS	1958, 8 manuals	132.95
BLIT59CMS	1959, 9 manuals	146.95
BLIT60CMS	1960, 9 manuals	150.50
BLIT61CMS	1961, 8 manuals	140.50
BLIT62CMS	1962, 9 manuals	150.00
BLIT63CMS	1963, 10 manuals	163.50
BLIT64CMS	1964, 9 manuals	150.00
BLIT65CMS	1965, 9 manuals	150.00
BLIT66CMS	1966, 9 manuals	150.00

Only the shaded areas are available.

**1958-60**

For illustration purposes only



**1958-60**

CTP-58	Center trunk floor 24 <sup>5</sup> / <sub>8</sub> " x 21 <sup>3</sup> / <sub>4</sub> "	185.00
FFP-58R	RH Front floor pan with sloping firewall 20 <sup>1</sup> / <sub>4</sub> " x 18" x 3 <sup>1</sup> / <sub>4</sub> " up firewall	110.00
FFP-58L	LH Front floor pan with sloping firewall 20 <sup>1</sup> / <sub>4</sub> " x 18" x 3 <sup>1</sup> / <sub>4</sub> " up firewall	110.00
LRF-58R	RH Lower rear front fender panel 36" L x 25" H	195.00
LRF-58L	LH Lower rear front fender panel 36" L x 25" H	195.00
QPFS-58R	RH Quarter panel front section 33" L x 20" H	200.00
QPFS-58L	LH Quarter panel front section 33" L x 20" H	200.00
RFP-58R	RH Rear floor pan 25 <sup>1</sup> / <sub>2</sub> " x 14 <sup>1</sup> / <sub>4</sub> "	110.00
RFP-58L	LH Rear floor pan 25 <sup>1</sup> / <sub>2</sub> " x 14 <sup>1</sup> / <sub>4</sub> "	110.00
RQP-58R	RH Quarter panel bottom rear 65" L x 18" H	210.00
RQP-58L	LH Quarter panel bottom rear 65" L x 18" H	210.00
STP-58R	RH Trunk floor side panel	215.00
STP-58L	LH Trunk floor side panel	215.00
WE-58R	RH Lower rear wheelhouse extension, extends from bottom of quarter panel to trunk floor 23" L	145.00
WE-58L	LH Lower rear wheelhouse extension, extends from bottom of quarter panel to trunk floor 23" L	145.00
XRP-58	RH or LH Outer rocker panel 44"	120.00
XRP-58CQ-R	RH Outer rocker panel with qtr. panel front 58" L	135.00
XRP-58CQ-L	LH Outer rocker panel with qtr. panel front 58" L	135.00
B16102B	RH Front fender inner rear splash shield	99.00
B16103B	LH Front fender inner rear splash shield	99.00



**B29247A**

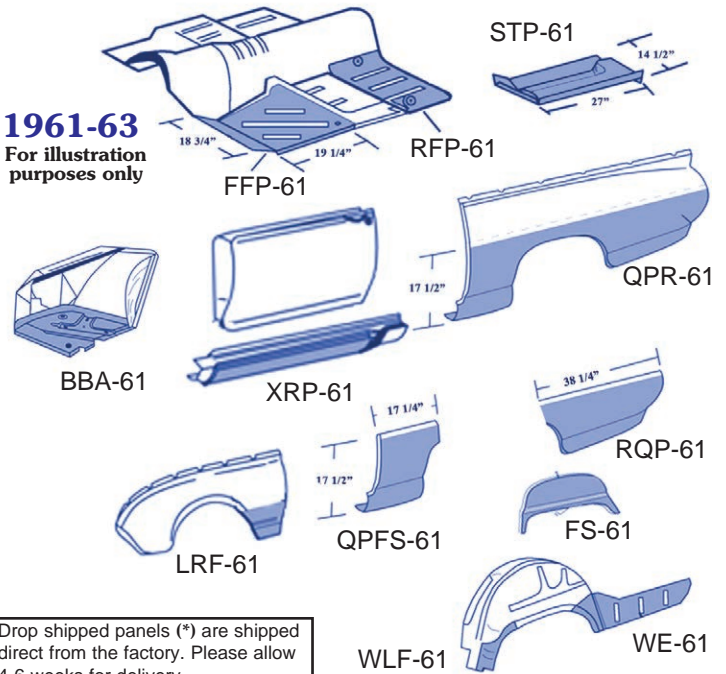


**B29246A**

B29246A	RH quarter panel extension	110.00
B29247A	LH quarter panel extension	110.00

**1961-63**

For illustration purposes only



Drop shipped panels (\*) are shipped direct from the factory. Please allow 4-6 weeks for delivery

**1961-63**

BBA-61	Battery box apron repair 18 <sup>1</sup> / <sub>2</sub> " x 14"	150.00
FFP-61R	RH Front floor pan with sloping firewall 19 <sup>1</sup> / <sub>2</sub> " x 22" x 5 <sup>1</sup> / <sub>2</sub> "	125.00
FFP-61L	LH Front floor pan with sloping firewall 19 <sup>1</sup> / <sub>2</sub> " x 22" x 5 <sup>1</sup> / <sub>2</sub> "	125.00
FS-61	Fender skirts, stamped as original, pair	305.25
LRF-61R	RH Lower rear front fender panel 20" x 14 <sup>1</sup> / <sub>4</sub> "	110.00
LRF-61L	LH Lower rear front fender panel 20" x 14 <sup>1</sup> / <sub>4</sub> "	110.00
QPFS-61R	RH Quarter panel, front section 17 <sup>1</sup> / <sub>4</sub> " x 17 <sup>1</sup> / <sub>2</sub> "	135.00
QPFS-61L	LH Quarter panel, front section 17 <sup>1</sup> / <sub>4</sub> " x 17 <sup>1</sup> / <sub>2</sub> "	135.00
QPR-61R	* RH Quarter panel repair, extends from door to the rear of quarter panel, 3 <sup>1</sup> / <sub>2</sub> " above wheel opening	350.00
QPR-61L	* LH Quarter panel repair, extends from door to the rear of quarter panel, 3 <sup>1</sup> / <sub>2</sub> " above wheel opening	350.00
RFP-61R	RH Rear floor pan 22 <sup>1</sup> / <sub>4</sub> " x 15"	135.00
RFP-61L	LH Rear floor pan 22 <sup>1</sup> / <sub>4</sub> " x 15"	135.00
RQP-61R	RH Quarter panel, bottom rear 38" x 10 <sup>1</sup> / <sub>2</sub> "	165.00
RQP-61L	LH Quarter panel, bottom rear 38" x 10 <sup>1</sup> / <sub>2</sub> "	165.00
STP-61R	RH Trunk floor side panel 14 <sup>1</sup> / <sub>2</sub> " x 27"	255.00
STP-61L	LH Trunk floor side panel 14 <sup>1</sup> / <sub>2</sub> " x 27"	255.00
WLF-61R	RH Lower Front wheelhouse 15" x 4"	80.00
WLF-61L	LH Lower Front wheelhouse 15" x 4"	80.00
WE-61R	RH Lower rear wheelhouse extension, extends from bottom of quarter panel to trunk floor 38" L	145.00
WE-61L	LH Lower rear wheelhouse extension, extends from bottom of quarter panel to trunk floor 38" L	145.00
XRP-61R	RH Outer rocker panel 49 <sup>3</sup> / <sub>4</sub> " L	135.00
XRP-61L	LH Outer rocker panel 49 <sup>3</sup> / <sub>4</sub> " L	135.00
B10764A	61/66 Battery tray, bottom clamp type	29.95

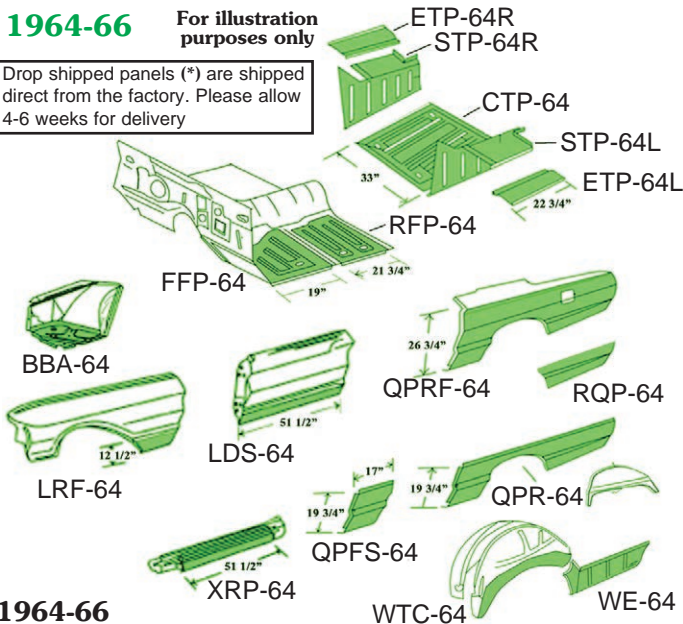
•• NOTE •• Items marked with a \* are shipped from the factory and incur a \$170.00 shipping charge.

**Most Orders Shipped Within  
24 Hours**

## 1964-66

For illustration purposes only

Drop shipped panels (\*) are shipped direct from the factory. Please allow 4-6 weeks for delivery



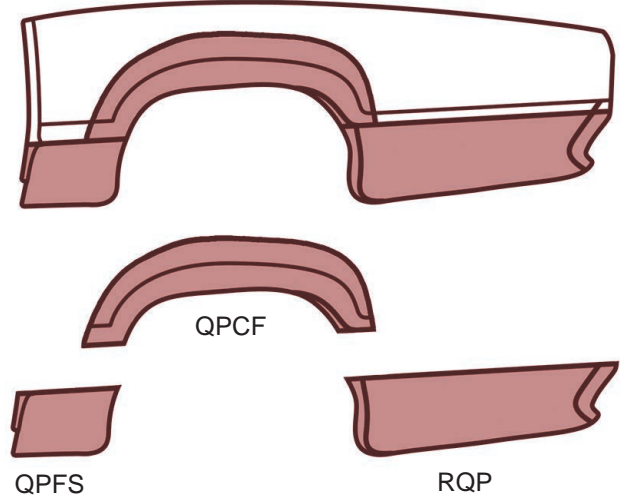
## 1964-66

BBA-64	64-66 Battery box apron repair 13½" x 13".....	150.00
CTP-64	Center trunk panel 33" x 30".....	385.00
ETP-64R	RH End trunk panel 22¾" L.....	110.00
ETP-64L	LH End trunk panel 22¾" L.....	110.00
FFP-64R	RH Front floor pan with sloping firewall 19" x 22" x 5½" up firewall.....	105.00
FFP-64L	LH Front floor pan with sloping firewall 19" x 22" x 5½" up firewall.....	105.00
LDS-64	RH or LH Lower door skin.....	85.00
LRF-64R	RH Lower rear front fender panel 18¼" x 13½".....	90.00
LRF-64L	LH Lower rear front fender panel 18¼" x 13½".....	90.00
QPF-64R	RH Quarter panel, front section 19¾" x 17".....	145.00
QPF-64L	LH Quarter panel, front section 19¾" x 17".....	145.00
QPR-64R	* RH Quarter panel repair, extends from door to the rear of quarter panel, 1" above wheel opening.....	350.00
QPRF-64R	* RH Quarter panel repair, full height, extends from door to rear of quarter panel, to top of quarter panel.....	450.00
QPR-64L	* LH Quarter panel repair, extends from door to the rear of quarter panel, 1" above wheel opening.....	350.00
QPRF-64L	* LH Quarter panel repair, full height, extends from door to rear of quarter panel, to top of quarter panel.....	490.00
RFP-64R	RH Rear floor pan 22" x 21¾".....	145.00
RFP-64L	LH Rear floor pan 22" x 21¾".....	145.00
RQP-64R	RH Quarter panel, bottom rear 42" x 11".....	205.00
RQP-64L	LH Quarter panel, bottom rear 42" x 11".....	205.00
STP-64R	RH Trunk floor side panel.....	185.00
STP-64L	LH Trunk floor side panel.....	185.00
WE-64R	RH Lower rear wheelhouse extension, extends from bottom of quarter panel to trunk floor 41" L.....	150.00
WE-64L	LH Lower rear wheelhouse extension, extends from bottom of quarter panel to trunk floor 41" L.....	150.00
WTC-64R	RH Outer wheelhouse top cap 33½" x 19".....	105.00
WTC-64L	LH Outer wheelhouse top cap 33½" x 19".....	105.00
XRP-64R	RH Outer rocker panel 52" L.....	135.00
XRP-64L	LH Outer rocker panel 52" L.....	135.00
TC-64CR	<b>NEW</b> Rear trunk channel repair panel.....	230.00
TC-64F	<b>NEW</b> Front trunk channel repair panel.....	150.00
TC-64L	<b>NEW</b> LH side trunk channel repair panel.....	105.00
TC-64R	<b>NEW</b> RH side trunk channel repair panel.....	105.00
TC-64PR	<b>NEW</b> RH and LH trunk channel repair panels.....	300.00
B11117	Floor pan plugs with screws, 10 required per car.....	4.95

•• NOTE •• Items marked with a \* are shipped from the factory and incur additional shipping charges.

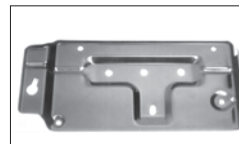
Only the shaded areas are available.

## 1967-71 For illustration purposes only



## 1967-71

RQP-67R	RH Quarter panel, bottom rear.....	225.00
RQP-67L	LH Quarter panel, bottom rear.....	225.00
QPFS-67R	RH 2 Door Quarter panel, bottom front.....	145.00
QPFS-67L	LH 2 Door Quarter panel, bottom front.....	145.00
QPFS-67R4	RH 4 Door Quarter panel, bottom front.....	145.00
QPFS-67L4	LH 4 Door Quarter panel, bottom front.....	145.00
QPCF-67R	RH Quarter panel center flare section.....	140.00
QPCF-67L	LH Quarter panel center flare section.....	140.00
XRP-67R	RH Outer rocker panel.....	59.95
XRP-67L	LH Outer rocker panel.....	59.95



**B10764A**



**B10764B**

### 10764 Tray, Battery

B10764A	61-66, before 12/1/65, bottom clamp type.....	29.95
B10764B	66-69, after 12/1/65, top clamp type.....	29.95

### NEW 1964-66 Thunderbird Trunk Channel Repairs

#### Trunk Channel Side Repairs:

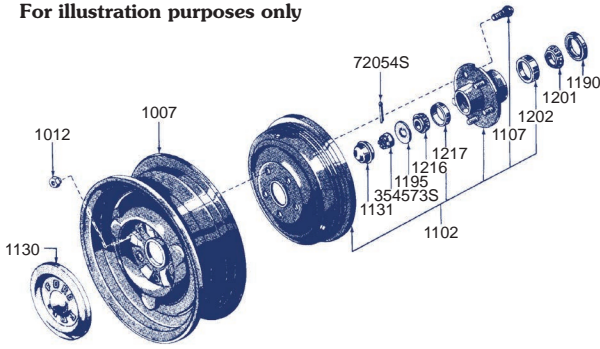
These panels are designed to replace the left or right side of the trunk drain panel. They include the front curve of the channel. This part measures 36 inches in length. The original trunk channel was made of two sections; one section is attached to the rear quarter and the other part is part of the trunk channel frame. This required two pieces to fit together to form the channel. We feel that a repair panel for this channel needed to combine the top of the lower channel with the part from the rear quarters so that the channel is one piece.

#### Trunk Channel Rear Repairs:

This is the rear trunk channel which holds the rubber seal at the back of the trunk. It is made from two pieces, which needs to be welded together in the center near the trunk latch. It includes the curved area and will meet our side trunk repairs.

**FRONT WHEEL, HUB AND BEARINGS**

For illustration purposes only



- 1001 Gasket, Rear Backing Plate**
- 1001 55-67, rear wheel bearing retainer ..... 1.00
- 1007 Steel Wheel**
- B1007AR 58-63, 14" x 6" ..... 139.95
- B1007BR 64-69, 15" x 6" ..... 189.95
- 1012 Lug Nut, Wheel Hub Bolt**
- 1012 58-72 ..... 1.00



**B1102G**

- 1102 Front Drum or Rotor**
- B1102A 58-60, drum, less hub and bearings, 11" x 2 1/2" ..... 89.95
- B1102B 61-62, drum, less hub and bearings, 11 1/32" x 3" ..... 169.95
- B1102C 63-64, drum, less hub and bearings, 11 3/32" x 3" ..... 169.95
- B1102D 65-67, rotor, less hub ..... 119.95
- B1102E 68, rotor, less hub ..... 189.90
- B1102F 69, rotor, includes hub ..... 189.95
- B1102G 70-71, rotor, includes hub ..... 111.95



**B1103B**

- 1103 Front Hub Assembly**
- 1103A 58-62 with studs and races ..... 119.95
- B1103B 63-64 with studs and races ..... 119.95
- 1107 Stud, Wheel, Front and Rear**
- B1107A 63-64, front, 1/2"-20 x 1 11/16" ..... 1.90
- 1107 58-72, rear, 1/2"-20 x 1 5/8" ..... 1.95
- B1107C 60-62, front, 1/2"-20 x 1 1/2" ..... 2.00
- B1107D 65-68, front ..... 3.25
- B1107E 69-71, front ..... 2.25
- 1126 Drum, Rear Brake**
- 1126B 58, 11" x 2", Made in USA ..... 159.95
- B1126B 63-66, 11 3/32" x 2 1/2", Made in USA ..... 169.95
- B1126D 59-62/67-68, 11 1/32" x 2 1/2", must use 2018B shoes. 89.95
- B1126E 69-72 ..... 149.95

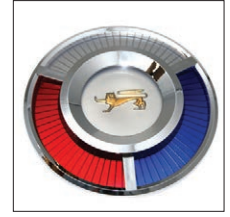
- 1127 Hubcap, Trim**
- B1127B 59-60 Sun Ray plastic medallion, with chrome plastic trim rings, use with B1130A ..... 50.00



**B1130A**



**B1130IBLACK**



**B1127B**

- 1130 Wheel Cover**
- B1130A 59-60, full size, 36 struts, 14" ..... 124.95
- 1130D 58-59, white center, 10" ..... 45.75
- 1130IBLACK 58-66, black spinner, insert only ..... 29.95
- 1130IBLUE 58-66, blue spinner insert only ..... 29.95
- 1130IGREEN 58-60, green spinner insert only ..... 29.95
- 1130IRED 58-66 red spinner insert only ..... 29.95

- 1131 Cap, Wheel Hub Grease**
- 1131 58-62 / 68-72 ..... 5.00
- B1131B 63-67 ..... 5.95

- 1141 Hubcap Medallion**
- B1141B 65, deluxe, red, white & blue ..... 40.00
- B1141C 66, deluxe, red center ..... 29.95

- 1177 Seal, Rear Axle Grease**
- B1177A 61 ..... 9.00
- 1177 58-60 / 62-68 ..... 6.75
- B1177D 68-79 ..... 9.95

- 1190 Seal, Front Wheel Hub, Grease**
- 1190 58-62 / 68-72 ..... 2.95
- B1190B 63-67 ..... 10.95

- 1193 Gasket, Front Brake Grease Baffle**
- 1193 61-64 ..... 1.05

- 1195 Retainer, Front Wheel Grease**
- 1195 58-69 ..... 11.50

- 1201 Front Wheel Bearing, Inner with Race**
- 1201 58-64 / 68-69 original spindle 1 1/4" ..... 7.75
- B1201B 65-67 ..... 13.95
- B1201C 66-69, cone, rear differential bearing, extra large ..... 34.95

- 1216 Front Wheel Bearing, Outer with Race**
- 1216 58-62 / 68-69 original spindle 3/4" inside diameter ... 10.95
- B1216B 63-67 ..... 13.95

- 1225 Bearing, Rear Axle, Includes 1180 Retainer**
- B1225B 61 ..... 34.90
- 1225 58-60 ..... 33.25
- 62-71 ..... 33.25

- 1446 Clamp, Spare Wheel**
- 1446 58-59 ..... 6.00
- 62-66 ..... 6.00



**B1448A**



**1448C**



**B1448B**



**B1448D**

- 1448 Bolt, Spare Wheel Mounting**
- B1448A 64-66, 3/8"-16 x 9 3/16", 3/4" thread length ..... 5.25
- B1448B 58-63 ..... 17.95
- 1448C 64, 3/8"-16 x 7 7/8" ..... 21.50
- B1448D 67-71 ..... 8.95

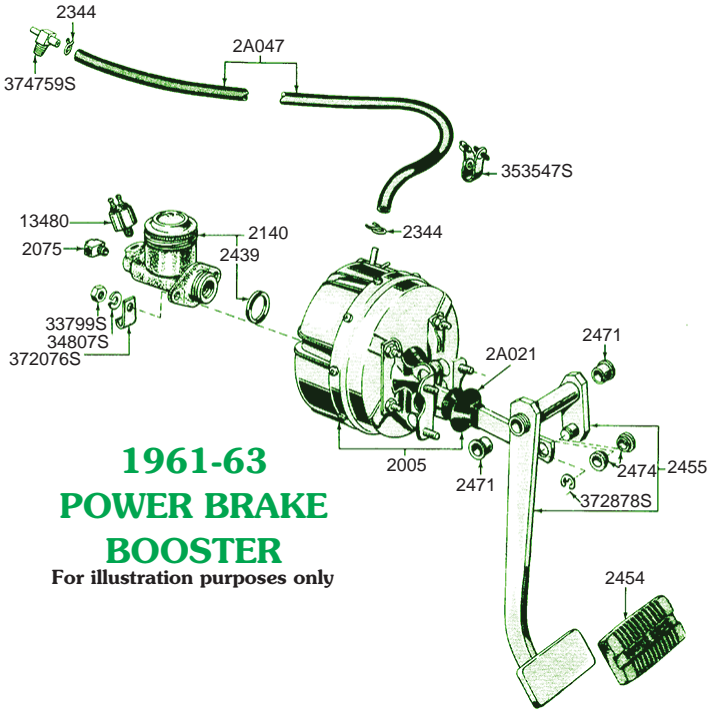
- 1462 Nut, Spare Wheel Mounting Bolt**
- 1457 58-72 ..... 3.00

**2001 Brake Shoes or Pads, Front**

2018B	58-60, shoes .....	42.95
B2001C	61-62, shoes .....	62.95
B2001D	63-64, shoes .....	59.95
B2001E	65-67, pads.....	34.95
B2001F	68-71, pads.....	49.95
B2001G	72-79, pads.....	49.95

**2004 Kit, Master Cylinder Repair**

2004	58-61 manual brakes and 61 power, 1" bore.....	30.50
B2004B	61-64, power brakes from 6/9/61 65-66, from 1/3/66 & before 4/1/66, 7/8" bore .....	26.95
B2004C	65-66, before 1/3/66, 15/16" bore.....	26.95
B2004D	58-60, power brakes, 1 1/8" bore .....	24.95
B2004E	67.....	54.95
B2004F	68-71.....	48.95



**1961-63  
POWER BRAKE  
BOOSTER**

For illustration purposes only



**2005 Brake Booster, Rebuilt, Exchange**

B2005AX	58-60, under dash, without master cylinder.....	257.50
B2005BX	59-60, under hood.....	255.95
B2005DX	61-63, (screw type), without master cylinder.....	255.95
B2005EX	64, Midland (band type).....	255.95
B2005HX	64, Bendix (crimp type).....	255.95
B2005FX	65-66, Midland (band type).....	255.95
B2005GX	65-66, Bendix (crimp type).....	255.95
B2005JX	67, Midland (band type), without cruise.....	255.95
B2005KX	67, Bendix, (crimp type), without cruise .....	255.95
B2005LX	67, Bendix, (crimp type), with cruise.....	255.95
B2005MX	68, without cruise .....	255.95
B2005NX	68, Bendix, (crimp type), with cruise.....	255.95
B2005OX	69, Bendix, (crimp type), without cruise .....	255.95

•• **NOTE** •• Cores must be completely drained. **Federal Law.**

•• **NOTE** •• Boosters do not include 2006 spacers, 2075 brass blocks or 2365 check valve.

•• **CORE** •• Exchange only, send us your unit first.

**2005S Dual Master Cylinder / Booster Combination**

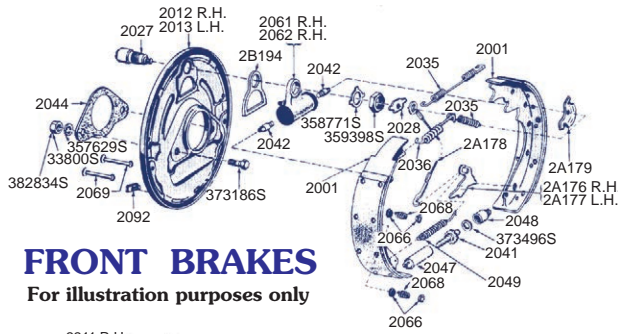
B2005SA	58-60, specify with or without A/C .....	450.00
B2005SB	61-63.....	450.00

**2006 Master Cylinder to Booster Spacers**

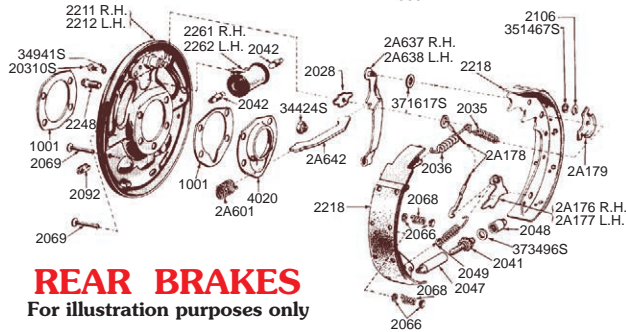
B2006A	61-63 screw type, nylon plates, 2 pieces.....	20.95
B2006B	64-66 Midland, metal spacer .....	20.95
B2006C	64-66 Midland, nylon plate.....	20.95
B2006D	61-63 Clip, nylon plate to booster.....	6.95





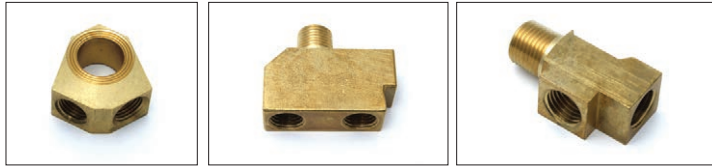


**FRONT BRAKES**  
For illustration purposes only



**REAR BRAKES**  
For illustration purposes only

<b>2K006 Caliper Line</b>		
B2K006R	65-66, RH.....	14.95
B2K006RSS	65-66, RH, stainless steel.....	17.95
B2B126R	65-66, LH.....	14.95
B2B126RSS	65-66, LH, stainless steel.....	17.95
•• NOTE •• For other brake lines see 2269		
<b>2035 Spring, Front Brake Helper</b>		
2035B	57-59.....	4.95
<b>2A021 Boot, Master Cylinder Push Rod</b>		
B2A021B	61-64.....	11.95
<b>2041 Screw, Brake Adjusting</b>		
2041	58-60, RH or LH.....	9.95
B2041B	61-66, RH - Also included in 2A176A kit.....	13.50
B2041C	61-66, LH - Also included in 2A176B kit.....	13.50
<b>2042 Link, Brake Shoe to Cylinder</b>		
2042	58-71.....	5.50
<b>2049 Spring, self adjuster</b>		
2049	58-60, front or rear.....	4.20
B2049B	61-62, front or rear, 67/71 rear.....	3.10
B2049C	63-64, front, 63/66 rear.....	4.50
<b>2061-2062 Wheel Cylinder, Front Brake</b>		
B2061A	58, RH.....	46.95
B2061B	59-60, RH.....	46.95
B2061C	61-64, RH.....	37.95
B2062A	58, LH.....	46.95
B2062B	59-60, LH.....	46.95
B2062C	61-64, LH.....	37.95
<b>2069 Pin, Brake Shoe Hold Down</b>		
2069A	#1, 58-60, front, 59-71 rear.....	0.75
2069C	#8, 58, rear.....	0.75
B2069D	#6, 58, rear.....	0.75
B2069E	#10, 61-64, front.....	0.75

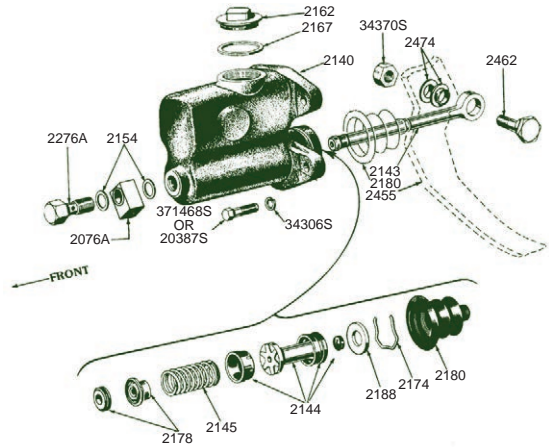


B2075A

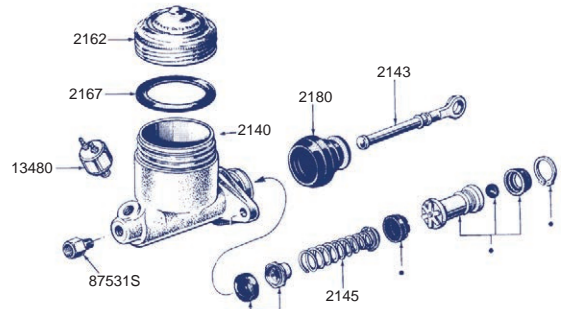
B2075B

B2075C

<b>2075 Brass Block at Master Cylinder</b>		
B2075A	58-60.....	20.95
B2075B	61-64.....	20.95
B2075C	65-66.....	20.95
•• NOTE •• See 2150, 2276 and 2149 for banjo bolts / washers.		



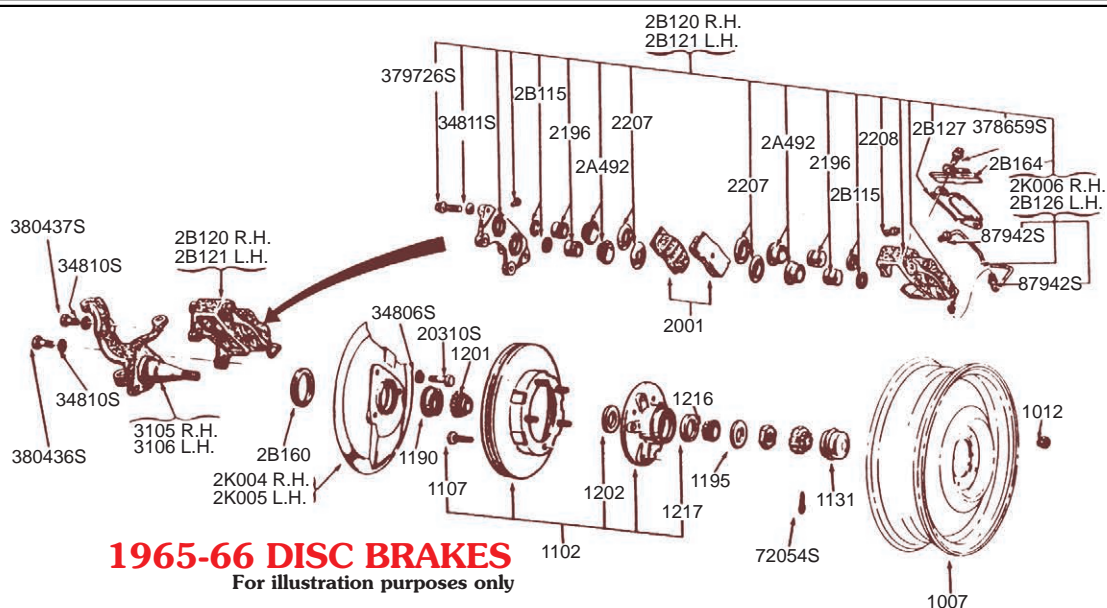
**1958-60 MASTER CYLINDER**  
For illustration purposes only



•• SUPPLIED IN 2004 REPAIR KIT ••

**1961-64 MASTER CYLINDER**  
For illustration purposes only

<b>2078 Hose, Front or Rear Brake</b>		
B2078AA	58, inner, short, 2 required.....	17.95
B2282A	58, front, outer 18" long.....	19.95
2078	59-60, front, 1 1/2", see 2149 for copper washer.....	18.95
B2078C	61-64, front.....	17.95
B2078B	65-66, front.....	21.95
B2078C	58-60, rear / 58, front, master cylinder to line, see 2149 for copper washer.....	17.95
B2078E	67, RH.....	49.95
B2078F	68-71, RH.....	49.95
B2079E	67, LH.....	49.95
B2079F	68-71, LH.....	49.95
•• NOTE •• For other rear hoses see 2282		
<b>2091 Nut, Parking Brake Cable Adjusting</b>		
2091	58-66.....	4.50
<b>2B091 Proportioning Valve</b>		
B2B091A	Adjustable proportioning valve.....	54.95
B2B091BX	67-69, rebuilt, exchange only.....	169.95
B2B091X	65-66, rebuilt, exchange only.....	89.95
2B091RV	Residual valve, rear brake for disc brake cars.....	29.95
•• CORE •• Exchange only, send us your unit first.		
<b>2092 Cover, Brake Adjusting Hole</b>		
2092	58-72.....	1.25
<b>2A094 Brake Shoe Spring Kits</b>		
B2A094AK	58-60 front or 59-60 rear.....	25.50
B2A094BK	58 rear.....	25.50
•• NOTE •• For 58-60 rear, #2A601 springs also needed		
B2A094CK	61, front.....	25.50
B2A094DK	62, front.....	25.50
B2A094EK	63-64, front.....	31.95
B2A094FK	61-62 / 67-72 rear.....	25.50
B2A094GK	63-66, rear.....	26.95
•• NOTE •• 61-63, before 2/1/63 rear #2A601 springs, also required.		
<b>2106 Retainer, Parking Brake Lever</b>		
2106	58-72, front or rear.....	0.50



**1965-66 DISC BRAKES**  
For illustration purposes only



**B2B120GX**



**B2B127**



**B2140A**



**B2140B**

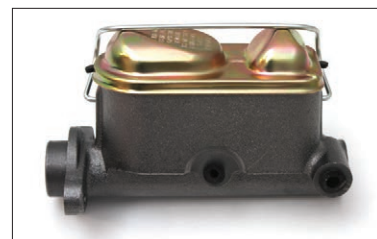
**2B120-2B121 Caliper Assembly**

B2B120G	65-66 RH, new.....	179.95
B2B121G	65-66 LH, new.....	179.95
B2B120GX	65-66, RH, exchange only.....	115.00
B2B121GX	65-66, LH, exchange only.....	115.00
B2B120HX	67, RH, exchange only.....	169.95
B2B121HX	67, LH, exchange only.....	169.95
B2B120JX	68-71, RH, exchange only.....	169.95
B2B121JX	68-71, LH, exchange only.....	169.95

•• NOTE •• Pads, pad retainer plate and caliper brake line are not included on rebuilt calipers.



**B2140E**



**B2140G**



**B2B123 Disc Brake Conversion Kit**

B2B123A	58-60.....	750.00
B2B123B	61-62.....	750.00
B2B123C	63-64.....	750.00

•• NOTE •• 15" wheel required for all above.

**B2B127 Disc Brake Pad Retainer**

B2B127	65-66.....	14.95
--------	------------	-------

**2128 Kit, Wheel Cylinder, Rear**

2128B	58 / 61-62, 7/8".....	9.55
B2128B	59-60, 29/32".....	8.95
2128C	63-71, 15/16".....	9.55

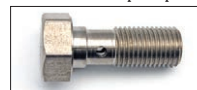
**2140 Master Cylinder Assembly, New**

B2140A	61-64 dual master cylinder 7/8" bore, special design to clear shock tower brace.....	175.00
B2140B	58-61, 1" bore.....	0.00
B2140D	61-64, power brakes, from 6/9/61, 7/8" bore.....	84.95
B2140E	65-66, 15/16" bore.....	139.95
B2140F	67.....	152.95
B2140G	68-69.....	119.95

•• NOTE •• Do not bench bleed master cylinders as you will damage seals inside.

**2149 Copper Washer, Brake Line Connector**

2149	58-71, and 9" rear end pumpkin.....	1.65
------	-------------------------------------	------



**2150 Banjo Bolt, Front Brake Hose**

B2150B	65-72, see 2149 for copper washer.....	9.50
--------	--	------

**2154 Copper Washer, Master Cylinder Outlet and Booster Outlet Tube**

2154	58-60, master cylinder outlet.....	
	58-60, power outlet tube to booster.....	1.25



**B2162A      B2162B      B2162E      B2162D**

<b>2162 Cap Assembly, Master Cylinder</b>	
B2162AX	61-64, chrome, includes gasket ..... 19.95
B2162A	61-64, gold anodized, includes gasket ..... 18.25
B2162B	65-66, disc, gold anodized, includes gasket ..... 20.95
B2162BX	65-66, disc, chrome, includes gasket ..... 24.95
2162	58-60 ..... 11.25
B2162D	67-71, gold anodized, includes gasket ..... 18.95
B2162E	67-71, chrome, includes gasket ..... 19.95
<b>2B166/2B167 Caliper to Brake Hose Tube</b>	
B2B166A	67, RH ..... 12.95
B2B166ASS	67, RH, stainless steel ..... 15.95
B2B167A	67, LH ..... 12.95
B2B167ASS	67, LH, stainless steel ..... 15.95
<b>2167 Gasket, Master Cylinder Cap</b>	
2167	58-60 ..... 1.25
B2167C	65-66 ..... 7.95
B2167D	67-71 ..... 6.95
<b>2A176 Lever and Cable Kit, Brake Shoe &amp; Starwheel</b>	
B2A176A	61-72, RH ..... 14.95
B2A176B	61-72, LH ..... 14.95
<b>2B176 Grommet, Power Brake Booster Check Valve</b>	
B2B176C	62-71, for plastic push-in type valve ..... 3.50
<b>2180 Boot, Brake Master Cylinder</b>	
2180	58-60, all ..... 4.95
	61, manual ..... 4.95
<b>2196 Piston, Caliper or Brake Cylinder</b>	
B2196A	65-67, front caliper ..... 16.95
B2196E	68-71, front caliper piston ..... 17.95
<b>2208 Screw, Brake Bleeder</b>	
2208	58-71 ..... 1.50
<b>2218 Brake Shoes, Rear</b>	
2018B	59-62 / 72, 11 <sup>1</sup> / <sub>32</sub> " x 2 <sup>1</sup> / <sub>2</sub> " ..... 42.95
B2001C	61, 11 <sup>1</sup> / <sub>32</sub> " x 3" ..... 62.95
2218B	58 / 67-71, 11" x 2" ..... 49.95
B2218B	63-66, 11 <sup>3</sup> / <sub>32</sub> " x 2 <sup>1</sup> / <sub>2</sub> " ..... 54.95
2018A	67-72 ..... 42.95
<b>2221 Kit, Wheel Cylinder or Caliper, Front</b>	
2128A	58 ..... 9.55
B2221B	59-64 ..... 6.95
B2221C	65-67, does one caliper ..... 19.95
B2221D	68-71, does one caliper ..... 9.95
<b>2244 Clip, Front Brake Line to Frame</b>	
2244A	59-60 ..... 2.10
<b>2248 Bolt, Rear Brake Plate</b>	
B2248A	58-71 ..... 5.25
<b>2B257 Valve, Brake Pressure Differential</b>	
B2B257A	67-69, rebuild your core ..... 169.95
<b>2261-2262 Cylinder, Rear Wheel</b>	
2261A	58 / 61-62, RH ..... 20.95
B2261B	59-60, RH ..... 27.95
2261B	63-71, RH ..... 20.95
2262A	58 / 61-62, LH ..... 20.95
B2262B	59-60, LH ..... 27.95
2262B	63-71, LH ..... 20.95
<b>2B264 Switch, Brake Pressure</b>	
B2B264B	68-71 ..... 38.95

**2269 Brake Line Kits, Carbon and Stainless Steel**

B2269AAK	Brake line kit, manual brakes or power brakes with under dash booster, 58, 6 pieces ..... 175.00
B2269AAKSS	Same as above, stainless steel ..... 195.00
B2269AK	Brake line kit, manual brakes or power brakes with under dash booster, 59-60, 6 pieces ..... 175.00
B2269AKSS	Same as above, stainless steel ..... 195.00
B2269BK	Brake line kit, power brakes with firewall booster, 59-60, 6 pieces ..... 175.00
B2269BKSS	Same as above, stainless steel ..... 195.00
B2269CK	Brake line kit, when rear brake hose is mounted to the frame rail and early crossover line, 61-62, 6 pieces ..... 175.00
B2269CKSS	Same as above, stainless steel ..... 195.00
B2269DK	Brake line kit, when rear brake hose is mounted to the frame rail and late crossover line, 61-62, 6 pieces ..... 175.00
B2269DKSS	Same as above, stainless steel ..... 190.00
B2269EK	Brake line kit, when rear brake hose is mounted to the floor pan and early crossover line, 62-63, 6 pieces ..... 175.00
B2269EKSS	Same as above, stainless steel ..... 195.00
B2269FK	Brake line kit, when rear brake hose is mounted to the floor pan and late crossover line, 62-63, 6 pieces ..... 150.00
B2269FKSS	Same as above, stainless steel ..... 190.00
B2269GK	Brake line kit, 64, 6 pieces ..... 175.00
B2269GKSS	Same as above, stainless steel ..... 195.00
B2269HK	Brake line kit, without caliper line, 65-66, 7 pieces ..... 175.00
B2269HKSS	Same as above, stainless steel ..... 195.00
B2269JK	Brake line kit without caliper lines 67-69 ..... 175.00
B2269JKSS	Brake line kit without caliper lines 67-69, stainless steel ..... 195.00
B2269KK	Brake line kit without caliper lines 70-71 ..... 175.00
B2269KKSS	Brake line kit without caliper lines 70-71, stainless steel ..... 195.00

•• NOTE •• Due to size, brake line kits incur actual shipping.

**2276 Banjo Bolt, Brake Master Cylinder**  
 2276A 58-60, see 2154 for copper washers ..... 14.95



**B2282B**



**B2282C**

**2282 Hose, Rear Brake**

B2282A	61-62 ..... 19.95
B2282B	62-63, with brass block ..... 49.95
B2282C	64-66, with brass block and bracket ..... 49.95
B2282D	67-70 ..... 39.95
P2282G	71 ..... 49.95

•• NOTE •• For other hoses see 2078  
**2344 Clamp, Power Steering Return Line**  
 18572A 58-71 ..... 1.65



**B2365A**



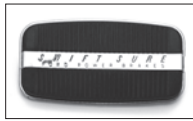
**B2365B**

**2365 Check Valve or Vacuum Port, Brake Booster**

B2365A	61-71, push in, 2 port plastic with grommet ..... 22.95
B2365B	61-63, vacuum port with fiber washers ..... 36.95
<b>2369 Vacuum Line, Brake Booster to Manifold</b>	
B2369A	58-60, carbon steel ..... 17.50
B2369ASS	58-60, stainless steel ..... 22.95
B2369D	66, carbon steel ..... 7.95
B2369DSS	66, stainless steel ..... 10.95



**2454A**



**2454B / 2454C**



**B2454A**



**B2454C**



**B2454E**



**B2454F**



**B2454G**

**2454-2457 Pad, Brake and Clutch Pedal**

B2454A	61-64, parking brake	6.00
2454A	55-61, manual brakes	22.25
B2454C	65-76, parking brake	8.00
2454D	59-60, power brake	39.95
B2454E	61-62, power brake	9.95
B2454F	63-64, power brake	49.95
B2454G	65-66, power brake, 65 all, 66 without cruise control	49.95
2454B	58, Swift Sure power brake, without band	31.95
2454C	58, Swift Sure band only	15.95
2457	58-60, standard transmission, slip on, brake or clutch	6.50

•• NOTE •• For gas pedals see 9735

**2462 Bolt, Brake Master Cylinder Link Rod**

2462	58-62	21.00
------	-------	-------

**2471 Bushing, Brake and Clutch Mounting Bracket, Standard and O/D**

B2471A	60-61 before 3/21/61 and 70-71, 2 required	1.20
--------	--	------

**2474 Bushing, Master Cylinder Push Rod**

2474	58-64, 2 required	5.00
------	-------------------	------

B2474B	65-68, 2 required	2.75
--------	-------------------	------

B2474C	69-71, 2 required	4.95
--------	-------------------	------

**2481 Bushing, Brake Pedal**

2481	58-60	19.95
------	-------	-------

**2493 Seal, Master Cylinder to Booster**

B2493	58-66	2.50
-------	-------	------



**2525 Clip, Brake Pedal Rod to Input Shaft**

B2525	61-66	5.95
-------	-------	------

**2A601 Spring, Parking Brake Link**

2A601	58-62	5.50
-------	-------	------

B2A601B	63-71	5.50
---------	-------	------

**2628 Rod, Parking Brake Equalizer**

2628	58-66	15.75
------	-------	-------

**2A602 Holder, Park Brake Cable**

2A602	58-59, park brake cable holder	29.95
-------	--------------------------------	-------

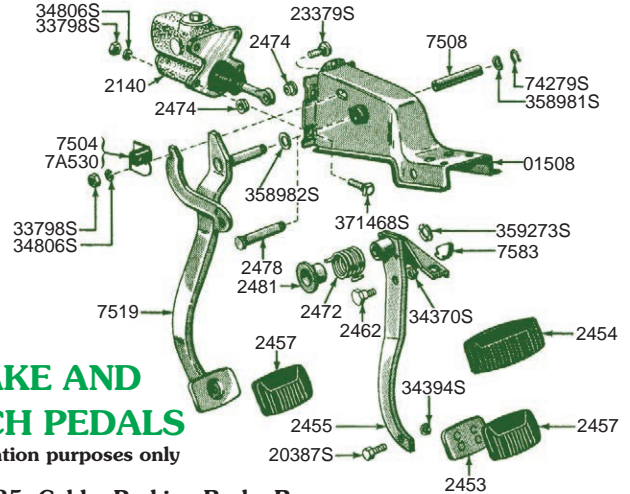
**2A637/8 Lever, Parking Brake**

2A637	58-59, RH	36.95
-------	-----------	-------

2A638	58-59, LH	36.95
-------	-----------	-------

**2A642 Link, Parking Brake Lever to Shoe**

2A642A	58-59	19.95
--------	-------	-------



**BRAKE AND CLUTCH PEDALS**

For illustration purposes only

**2A635 Cable, Parking Brake Rear**

B2A635A	58	39.95
B2A635B	59, 352 only	39.95
B2A635C	61-62, 2 required	39.95
B2A635D	63, 2 required	39.95
B2A635E	64-66, 2 required	39.95
B2A635F	60, 352 only, 2 required	39.95
B2A635G	67-68, RH	39.95
B2A635H	67-68, LH	39.95
B2A635I	69-71, RH	49.95
B2A635J	69, LH	39.95
B2A635K	70-71, LH	39.95



**2780 Parking Brake Vacuum Pod**

B2780K	64-66 park brake vacuum pod	49.95
--------	-----------------------------	-------

**2786 Pawl, Parking Brake Ratchet**

2786	58-60	8.95
------	-------	------

**2788 Spring, Parking Brake Ratchet**

2788	58-60	3.10
------	-------	------

**2A798 Cover, Parking Brake Pedal Pad, Stainless Steel**

B2A798	65-72	12.95
--------	-------	-------

**2804 Pulley, Parking Brake Cable**

2804	58-60	22.95
------	-------	-------

**2814 Clip, Brake Hose or Cable**

2814A	58-63, parking brake cable, 67-71 hose or cable	2.50
-------	---	------

B2814A	58-60 / 63-66, brake hose	2.95
--------	---------------------------	------

**2853 Cable, Parking Brake Front**

B2853A	58-59	39.95
--------	-------	-------

B2853B	60	39.95
--------	----	-------

B2853C	61-66	39.95
--------	-------	-------

**2859 Pin, Parking Brake Lever**

2859	58-60	3.25
------	-------	------

**2884 Clutch Assembly, A/C Compressor**

B2884	Varies upon type of compressor, exchange only	375.00
-------	---	--------

•• NOTE •• Core required in advance.

**2979 Brush, A/C Condenser Compressor Clutch**

B2979A	63-71	69.95
--------	-------	-------

B2979B	59, with top mounted hoses	45.95
--------	----------------------------	-------

B2979C	58-62, with side mounted hoses	45.00
--------	--------------------------------	-------

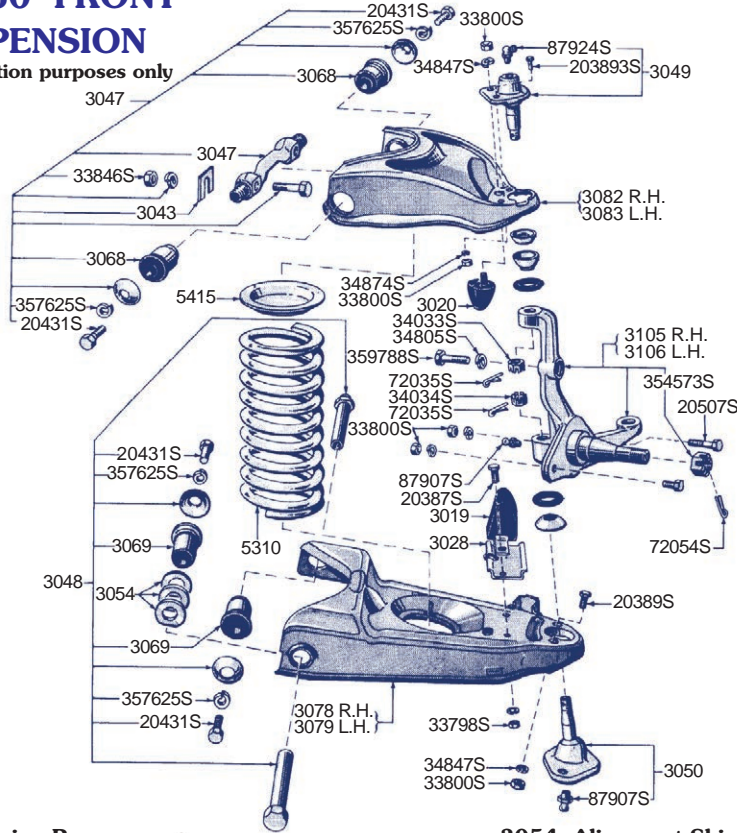
**2990 Bearing, A/C Compressor Clutch, Idler Pulley**

B2990A	60-66, compressor	38.95
--------	-------------------	-------

B2990D	64-66, idler pulley bearing	69.00
--------	-----------------------------	-------

**1958-60 FRONT SUSPENSION**

For illustration purposes only



**3A006 Cap, Power Steering Pump**

3A006	58-64 cap with dipstick.....	19.95
3A006A	58-64, gasket only.....	1.50
B3A006C	65-66 cap with dipstick, fits large fill tube.....	16.95



**B3019A**



**B3020A**

**3019-3020 Bumper, Front Suspension**

B3019A	58-60, lower.....	9.50
B3020A	58-60, upper.....	9.00

**3043 Alignment Shims**

3043A	58-60, 1/64".....	0.60
3043B	58-60, 1/32".....	0.60
3043C	58-60, 1/16".....	0.60
3043D	58-60, 1/8".....	0.60

**3047 Shaft, Upper Control Arm**

B3047A	61-66, with bushings.....	89.95
B3047B	58-60, with bushings.....	149.95
B3047C	67-71, with bushings.....	98.88

•• NOTE •• See 87924S for Zerk fittings and 374269S for o-rings

**3048 Kit, Front Lower Control Arm Shaft**

B3048K	58-60, includes bolts, washers and lower bushings, does both sides.....	119.95
--------	---	--------

**3049 Ball Joint, Upper**

B3049A	58-60 / 67-79.....	32.95
B3049B	61-62, pair.....	139.95
B3049C	63-66.....	63.95

**3050 Ball Joint, Lower**

B3050A	58-60.....	54.95
B3050BR	61-66, right.....	62.95
B3050BL	61-66, left.....	62.95
B3050C	67-72.....	89.95

**3054 Alignment Shims**

B3054A	61-66, 1/32".....	3.95
B3054B	61-66, 1/16".....	3.95
B3054C	61-66, 1/8".....	3.95

**3068 Bushing, Upper Arm, Inner Shaft**

B3068A	61-66, 4 required.....	15.95
B3068B	58-60, front or rear, 4 required.....	10.95
B3068C	67-71.....	16.95

•• NOTE •• See 87924S for Zerk fittings and 374269S for o-rings.

**3069 Bushing, Lower Arm**

3069	58-60, 4 required.....	12.95
B3069C	61-66, 2 required.....	16.95
B3069D	67-71.....	23.95

**3078-3079 Lower Control Arm Assembly**

B3078DR	67-72 RH.....	187.39
B3079DL	67-72 LH.....	187.39

**3A105 Dust Boot, Ball joint**

B3A105C	63-66, upper.....	7.95
B3A105D	61-66, lower.....	7.95

**3A130-3A131 Tie Rod Ends**

3A130	58-60, outer, RH or LH, LH thread.....	18.95
B3A130C	61-66, outer, RH or LH, LH thread.....	51.95
B3A131C	65-66, inner, RH or LH, RH thread.....	51.95
B3A130D	67-68, outer, RH or LH.....	52.95
B3A130E	69-71, outer, RH or LH, LH thread.....	56.95



**3A134 Bracket, Lower A Arm Mounting**

B3A134A	61-66, RH or LH.....	69.95
---------	----------------------	-------

### 3A187 Bushing Kit, Strut Rod

B3A187A	62-66, each side, 2 per car .....	31.95
B3A187B	61, does both sides, bushings only.....	23.95
B3A187C	67-71, each side, 2 per car .....	49.95



### 3280-3281 Tie Rod Assembly

B3280A	61-64, inner, RH or LH, RH thread .....	49.95
B3280B	58, inner, RH.....	69.95
B3280C	59-60, inner, RH.....	69.95
B3280D	67-71, inner, RH or LH.....	59.95
B3281B	58, inner, LH .....	69.95
B3281C	59-60, inner, LH .....	69.95

### 3304 Drag Link

B3304C	61-64.....	109.95
B3304D	67-68, rebuilt.....	189.95

•• CORE •• Core must be sent first.

### 3310 Sleeve, Tie Rod Link Adjusting

3310	58-66.....	11.50
B3310C	67-71.....	17.95

### 3332 Seal, Tie Rod Dust

3332A	58-60.....	2.25
B3332E	69-72.....	5.00



**B3351B**

### 3351 Bracket, Idler Arm

3351M	58-60, manual steering .....	34.95
B3351B	61-63, 7/8" shaft with idler arm .....	279.95
B3351C	64-66.....	94.99

### 3352 Idler Arm with Bushings

B3352A	58-60, with manual steering .....	127.95
B3352B	58-60, with power steering .....	176.65

•• NOTE •• For other applications see 3A734.

### 3356-3358 Bushing, Idler Arm / Drag Link

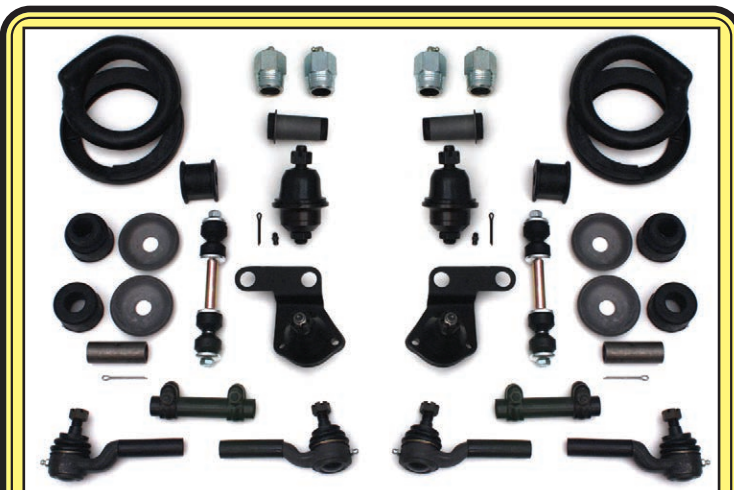
3356A	58-60, manual steering, 2 required.....	6.95
-------	---	------

•• NOTE •• For seals see 3359.

3356B	58-60, power steering, upper, presses into idler arm bracket.....	8.95
B3356C	64-66, 7/8" inner diameter.....	29.95
B3356D	61, before 4/4/61, 0.63" inner diameter.....	19.95
B3356E	61-62, from 4/4/61 to 3/15/62, 5/8" inner diameter.....	21.95
3358A	58-60, power steering, lower, presses into drag link .....	11.95
B3356F	62-63 from 3/16/62, 3/4" inner diameter.....	29.95
B3356G	67-68.....	16.95
B3356H	69-71.....	33.95

### 3359 Seal, Idler Arm

3359K	58-60, manual steering, pair.....	4.20
-------	-----------------------------------	------



### 3400 Front End Rebuild Kits

Each kit contains 2 upper ball joints, 2 lower ball joints, 2 inner and 2 outer tie rods with sleeves, all the necessary control arm bushings, 2 sway bar link kits, 2 sway bar bushings, coil spring insulator pads and strut rod bushings, if required. It is recommended that you replace your idler arm bushings at this time. We also have 61/64 drag links and 65/71 pitman arms available. These kits have already been discounted. No further discounts available.

B3400AK	58.....	450.00
B3400BK	59-60.....	450.00
B3400CK	61.....	650.00
B3400DK	62.....	650.00
B3400EK	63-64.....	650.00
B3400FK	65-66.....	550.00
B3400GK	67-69.....	750.00



### 3491 Cover Plate, Half Circle, Steering Column

B3491C	64/66, black vinyl clad metal, woodgrain wheel .....	19.95
--------	--	-------



**B3494R**

### 3494 Tube, Power Steering Pressure Line to Pump

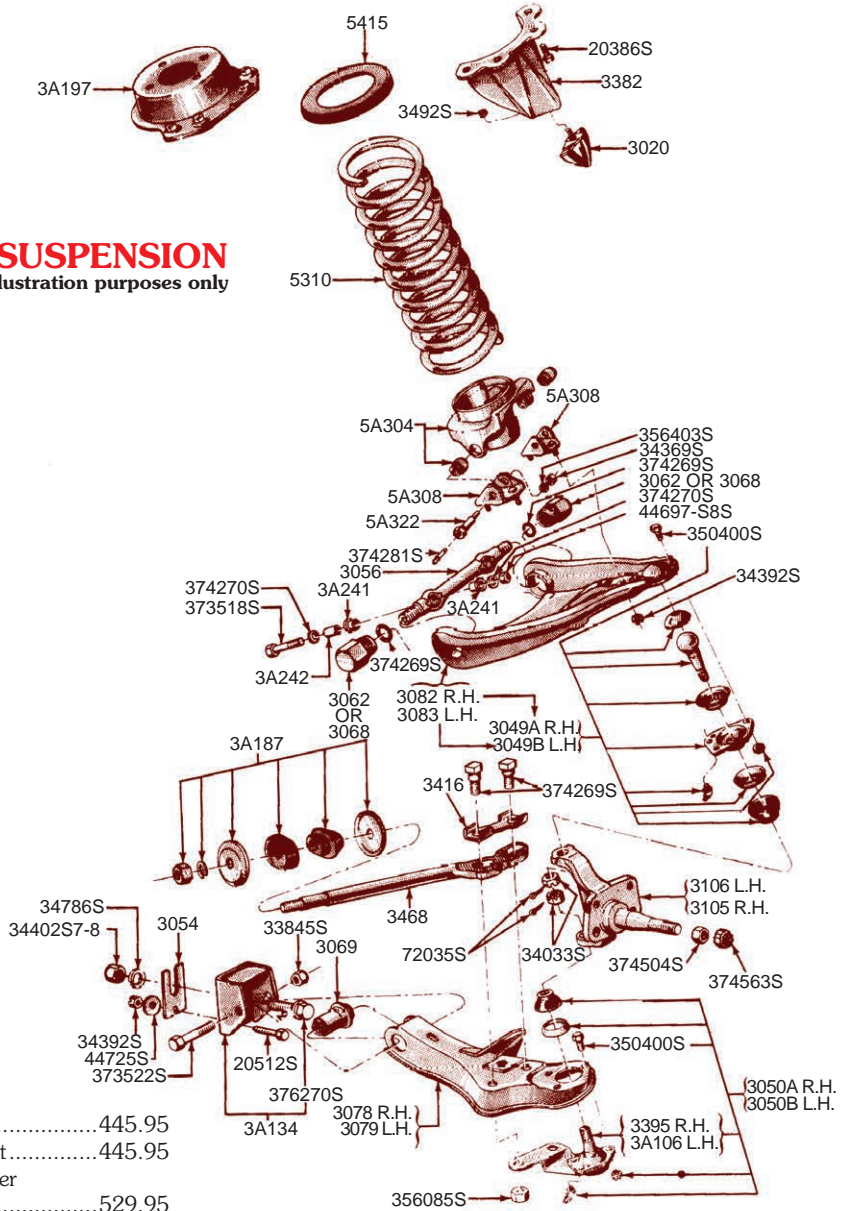
B3494R	65/66, carbon steel .....	19.95
B3494RSS	65/66, stainless steel .....	24.95

### 87215S Brass Connector, Power Steering Tube to Hose

87215S	Brass adapter fitting .....	1.75
--------	-----------------------------	------

**For Front End Specs Purchase a Shop Manual - Page 120**

**1961-63 FRONT SUSPENSION**  
For illustration purposes only



**B3513B**



**B3504CX**

**3504 Steering Gear Box, Rebuilt, Exchange**

B3504AX	58-early 59, 4 grooves, large splines.....	445.95
B3504BX	Late 59-60, 4 raised large splines on shaft.....	445.95
B3504CX	61-early 62, pin type, 4 <sup>3</sup> / <sub>4</sub> " center to center on lower bolt holes, C1SR casting marks .....	529.95
B3504FX	Late 62-early 63, 5 <sup>7</sup> / <sub>8</sub> " center to center on lower bolt holes, C2SR casting marks, bolt on coupler.....	529.95
B3504DX	62-64, bolt on coupler, C3VR casting marks 43 <sup>4</sup> / <sub>4</sub> .....	529.95
B3504EX	65-66.....	529.95
B3504GX	67-69.....	529.95

- **CORE** •• Exchange only, send us your unit first.
- **NOTE** •• Returned cores must be completely drained. **Federal Law**
- **NOTE** •• See B3C716 for insulators



**3511 Hub, Steering Column**

B3511A	58-60, chrome.....	89.95
--------	--------------------	-------

- **NOTE** •• See 7228 for shift collar

**3513 Seal, Steering Column**

B3513A	58-60.....	5.95
B3513B	61-66.....	31.95

- **NOTE** •• Can use B3513B on 61-64 if you make new screw holes.

**3517 Bearing Steering Column**

B3517A	58-60, upper, for automatic transmission.....	11.95
B3517D	61-66, upper / 67-71 tilt upper / 68-71 fixed.....	14.95
B3517E	67-71 tilt, lower.....	44.95

**3518 Sleeve, Steering Column Bearing**

B3518A	58-60, upper, for automatic transmission.....	9.95
B3518B	61-64, upper.....	7.00
B3518C	65-66, upper.....	8.95

**3A525 Coupler, Gear Box**

B3A525RP	62-66, coupler repair kit.....	21.95
----------	--------------------------------	-------

**3D525 Power Steering Pump Input Shaft Bearing**

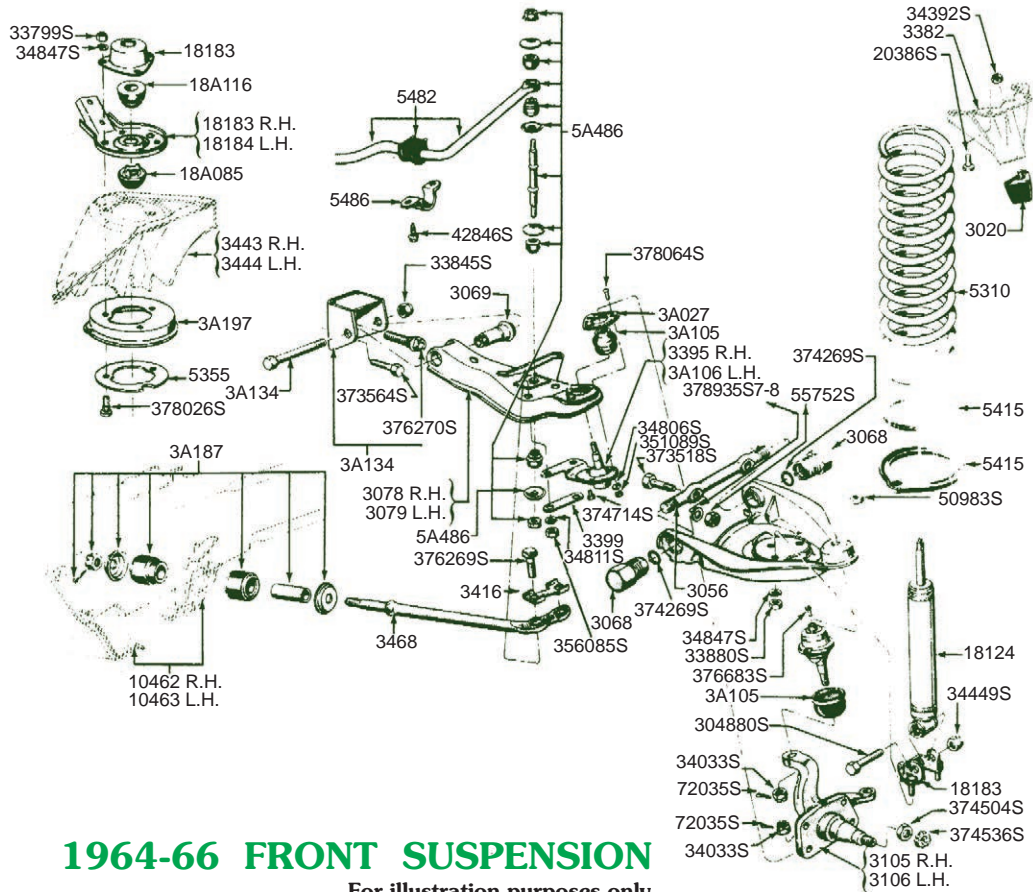
B3D525A	65-66, NOS.....	34.95
---------	-----------------	-------

**3D526 Seal, Power Steering Gear Input Shaft**

B3D526A	65-71.....	6.35
---------	------------	------

**3A533 Ball Stud Kit, Power Steering Control Valve**

3A533B	58-60.....	42.95
--------	------------	-------



**1964-66 FRONT SUSPENSION**  
For illustration purposes only

- 3C538 Kit, Seal and Gasket, Integral Power Steering Gear**
- B3C538A 61-64..... 79.95
- B3C538B 65-71..... 44.95



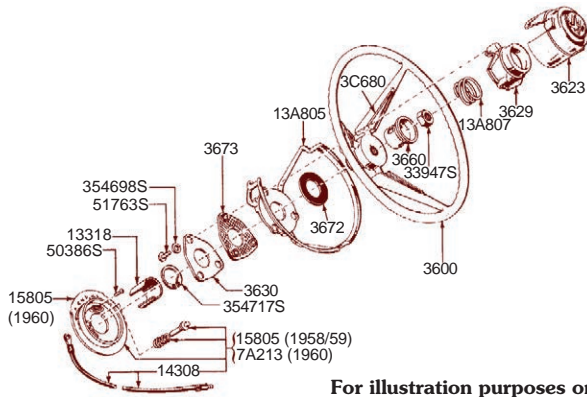
**B3A540B**

- 3A540 Ram Cylinder, Includes Bushings, NEW**
- 3A540B 58, 1/4" port, 1 5/8" diameter, **new** ..... 259.95
- B3A540B 59, 352, 59-60, 430, 1/4" port, 2" diameter, **new** ... 259.95
- B3A540C 60, 352, 5/16" port, **new**..... 259.95
- 3A540 Ram Cylinder, Rebuilt, Exchange**
- 3A540BX 58, 1/4" port, 1 5/8" diameter, rebuilt ..... 205.95
- B3A540BX 59, 352, rebuilt
- 59-60, 430, 1/4" port, 2" diameter, rebuilt ..... 205.95
- B3A540CX 60, 352, 5/16" port, rebuilt ..... 205.95
- **CORE**•• Core must be sent first.
- **NOTE**•• Returned cores must be completely drained. **Federal Law**
- 3552 Cup, Steering Gear Worm Bearing**
- B3552A 58-66..... 12.95
- 3B563 Reinforcement Plate, Eaton Pump Reservoir**
- 3B563A 58-60 / 61-64, without A/C..... 5.95
- 3577 Sector Shaft Screw**
- B3577A 58-60, NOS..... 5.00

- 3580 Cover, Sector Shaft Housing**
- B3580A 65-71 ..... 53.95
- B3580E 58-60, NOS..... 36.75
- 3581 Gasket, Sector Shaft Housing**
- B3581A 58-60..... 3.00
- 3A582 Lid, Power Steering Reservoir**
- 3A582 58-60 all, 61-64 without A/C ..... 22.95
- 3B584 Kit, Power Steering Pump Seal and Gasket**
- B3B584A 58-65, Eaton pump..... 16.95
- B3B584B 65-71, Ford pump ..... 16.95
- 3C589 Bushing, Ram Cylinder End Mounting**
- 3C589BK 58-60, bushings only, pair..... 3.50
- 3590 Pitman Arm**
- B3590A 65-66..... 139.95
- B3590B 67-68..... 178.95
- B3590C 69-71..... 74.95
- 3C590 Bushing, Ram Cylinder**
- 3C590B 58-60 piston end, pair ..... 7.50
- 3C590D 57-60 complete bushing kit with hardware..... 17.95

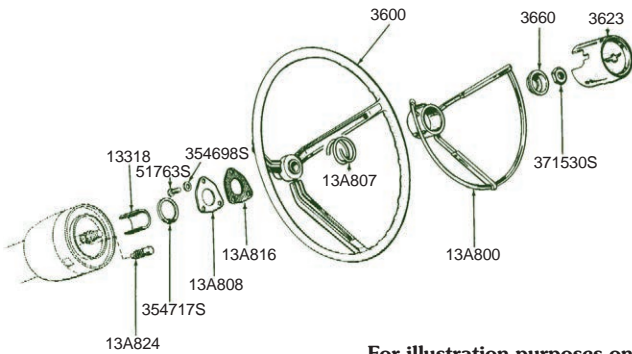
**We have shop manuals see page 120**





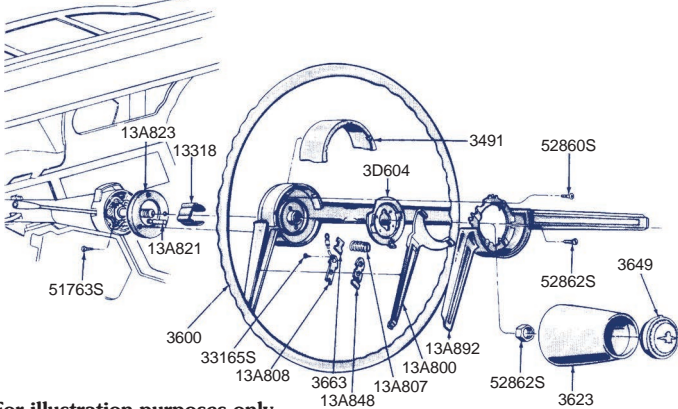
For illustration purposes only

**1958-60 STEERING WHEEL AND HORN RING**



For illustration purposes only

**1961-63 STEERING WHEEL AND HORN RING**



For illustration purposes only

**1964-66 STEERING WHEEL AND HORN RING**

- 3591 Oil Seal, Steering Sector Shaft Housing**
- B3591B 58-60 ..... 14.95
- B3591B 61-64, Pitman arm seal, 2 required ..... 10.95
- 3B592 Seal, Power Steering Pump Rotor Shaft**
- B3B592A 58-65, Eaton pump ..... 9.50
- B3B592B 65-71, Ford pump ..... 23.95



**B3600AW**



**B13A805A**

- 3600 Steering Wheel**
- B3600AW 58-60, includes chrome spears, white ..... 299.95
- 13A805 Horn Ring**
- B13A805A 58-60 ..... 159.95

- 3M627 Retainer, Power Steering Pump Relief Valve**
- B3M627A 58-64, NOS ..... 7.15
- 3641 Power Steering Reservoir to Pump Hose**
- B3641A 1/2" hose, foot ..... 2.95
- B3641B 3/4" hose, foot ..... 4.95
- 3A642 Gasket, Power Steering Reservoir Lid**
- 3A642 58-60 / 61-64 without A/C ..... 2.95
- B3A642B 61-64, with A/C ..... 2.35
- 3A650 Seal Kit, Power Steering Control Valve**
- 3A650B 58-59 all, 60 430, 1/4" port, 2 pieces ..... 10.95
- B3A650B 60, 352, 5/16" port, 2 pieces ..... 11.95
- 3672 Insulator, Horn Ring**
- B3672A 58-60 ..... 3.15
- 3674 Seal, Lower Steering Column Insulator**
- B3674 58-60 ..... 14.95
- 3A674 Power Steering Pump, Rebuilt, Exchange**
- B3A674AX 59-60, 430, Eaton pump, rear mount ..... 199.00
- B3A674BX 58-64, 352/390  
65, without A/C, Eaton pump, front mount ..... 199.00
- NOTE •• 58-64, For filter see 33538
- B3A674CRMX 65-66, Ford pump ..... 295.95
- B3A674DX 67-71 ..... 249.95
- CORE •• Core must be sent first.
- NOTE •• Returned cores must be completely drained. **Federal Law**
- NOTE •• Pumps do not come with brackets, pulley or reservoir.  
The 1965-66 Ford pump does come with the reservoir.
- 3C680 Steering Wheel Chrome Trim Spears**
- B3C680 58-60, 3 piece set ..... 40.95
- 3B688 Spring, Power Steering Filter Retaining**
- 3B688 58-64 ..... 3.50
- 3A697 Can, Power Steering Reservoir**
- B3A697C 65-66 Ford pump ..... 94.95
- 3C705 Cap, Control Valve End**
- 3C705 58-60 ..... 16.95
- 3A713 Hose, Power Steering Return**
- 3A713 58-60, with fitting ..... 21.75
- B3A713B 61-63, hose only, 3/8" x 19" ..... 5.95
- B3A713C 64-66, hose only, 3/8" x 40" ..... 12.95
- NOTE •• For steel tube see B3B721
- 3A714 Hose, Control Valve to Ram**
- B3A714A 58-59, 2 required, 1/4" fittings ..... 21.95
- B3A714BK 60, 2 pieces, carbon steel, 5/16" fittings ..... 36.00
- B3A714BKSS 60, 2 pieces, stainless steel, 5/16" fittings ..... 46.00
- B3A714C 60, hose, 5/16" fittings ..... 19.95
- 3C716 Insulator Assembly, Steering Gear Box**
- B3C716 61-66, 3 required ..... 55.00



**B3A719B**



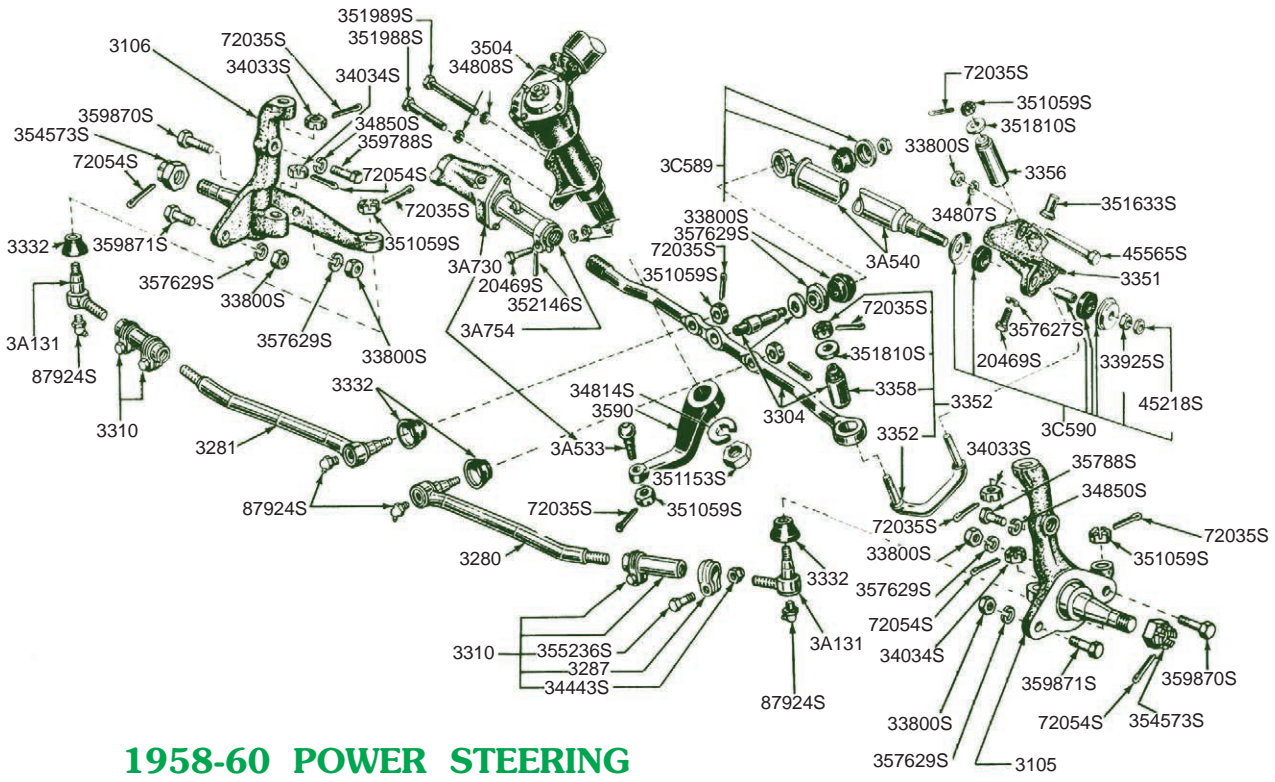
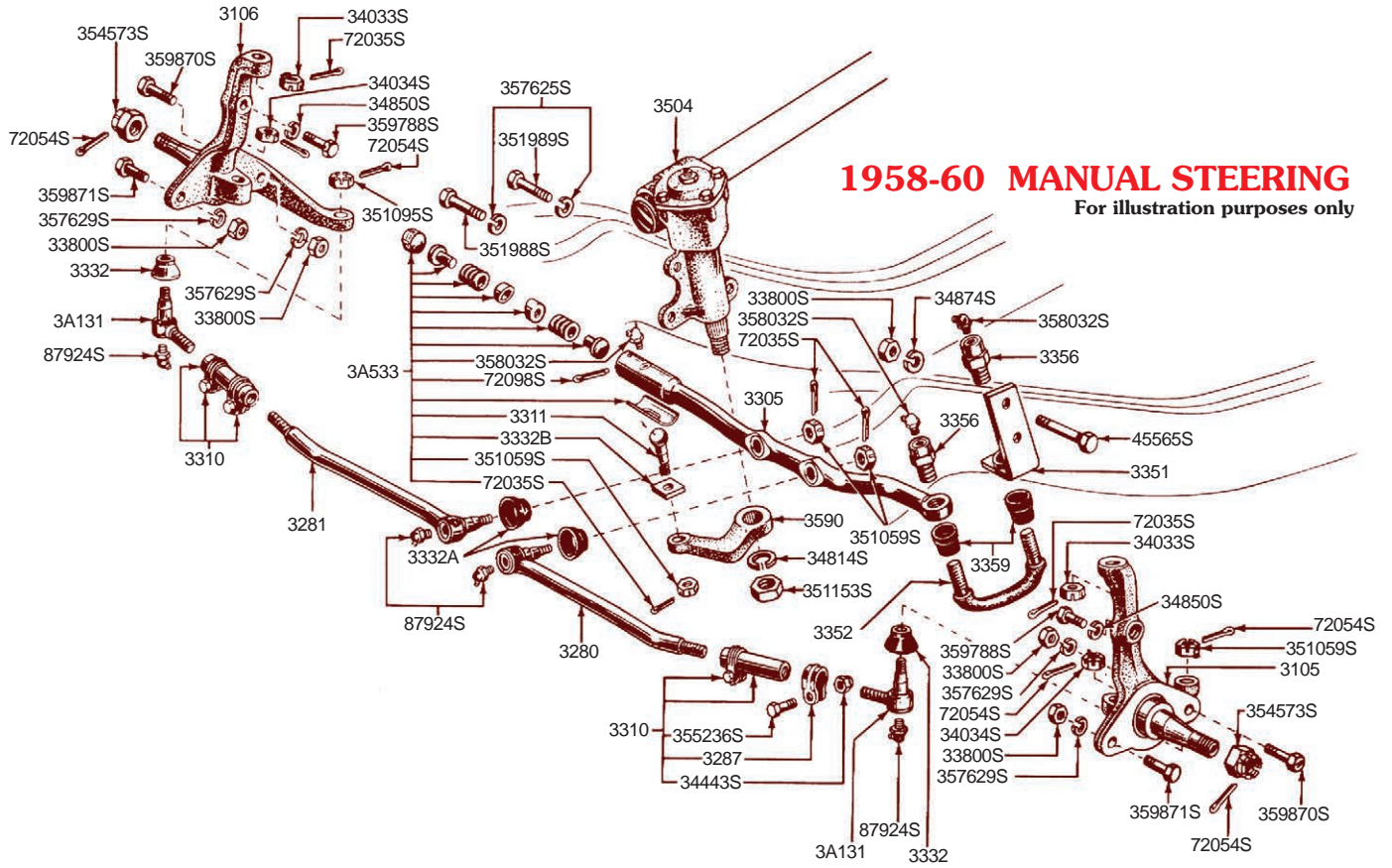
**B3494**



**87215S**

- 3A719 Hose, Power Steering Pressure Line**
- B3A719B 65-66, with Ford pump ..... 39.95
- 3A719B 58-60, 352, 430 ..... 35.50
- B3A719D 61-63, all ..... 38.95
- B3A719E 64-65 with Eaton pump ..... 61.95
- NOTE •• For 65-66 tube see 3494
- NOTE •• For 65-66 fitting, hose to tube see 87215S

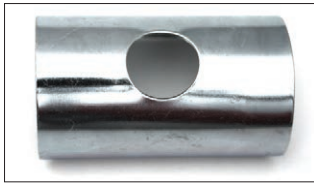
**We appreciate your business!**





### 3B721 Return Tube, Power Steering

- B3B721 61-62, return line, steering gear box to reservoir, steel tube only..... 16.00
- B3B721SS Same as above, stainless..... 20.00
- NOTE •• For rubber hose see 3A713



**3A728B**

### 3A728 Shield, Ball Stud, Control Valve

- 3A728B 58-60..... 5.50



**3A730BX**

### 3A730 Control Valve, Rebuilt, Exchange

- 3A730BX 58-59 / 60, 430, 1/4" port, rebuilt..... 210.95
- B3A730BX 60, 352, 5/16" port..... 210.95
- CORE •• Core must be sent first.
- NOTE •• Returned cores must be completely drained. **Federal Law**
- NOTE •• Caution must be used in removing the control valve. Do not use a pickle fork. Damaged valves may incur extra charges.

### 3A733 Power Steering Pump Pulley

- B3A733B 61-65..... 49.95
- B3A733C 66-69, 390, 1 groove without A/C..... 64.95

### 3A734 Idler Arm

- B3351B 61/64, 7/8" shaft with bracket..... 279.95
- B3A734C 65/66, with bushing..... 199.95
- B3A734D 67/68, with bushing..... 99.95
- B3A734E 69/71, with bushing..... 175.95
- NOTE •• For other applications see 3352



**3A754**

### 3A754 Clamp, Power Steering Control Valve

- 3A754 58-60..... 13.00

### 3B754 Stamped Washer, Power Steering Filter

- 3B754 58-60 all, 61-64 without A/C..... 2.95

### 3A764 Seal Kit, Power Steering Ram Cylinder

- 3A764B 58-60..... 14.95



**B3C773R**

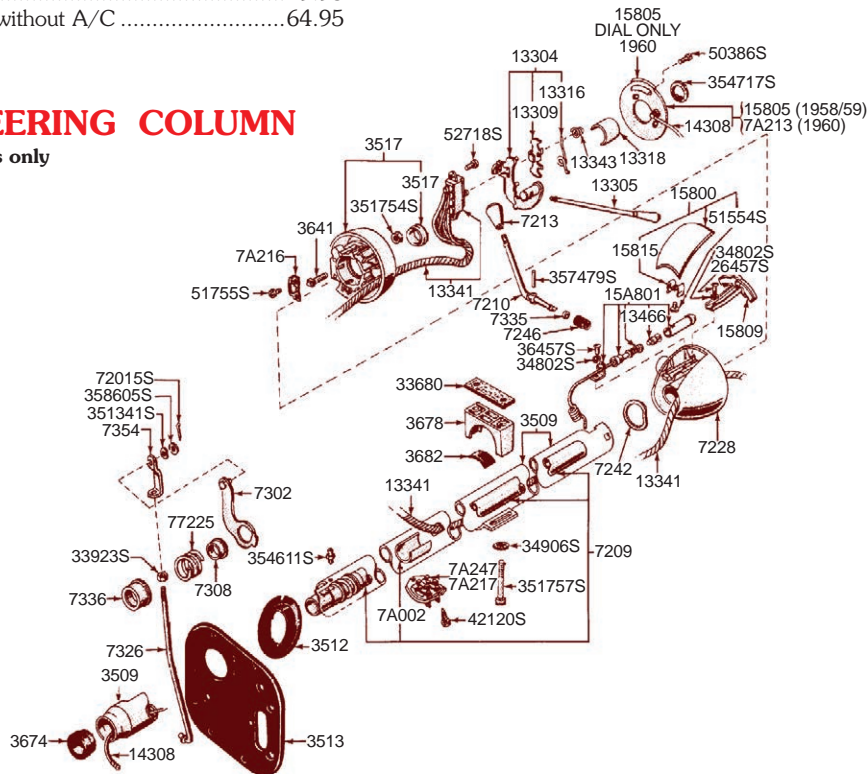
### 3C773 Tapered Bushing, Lower Steering Shaft

- B3C773R 63-67, Nylon..... 13.95

•• NOTE •• For collar see 7347

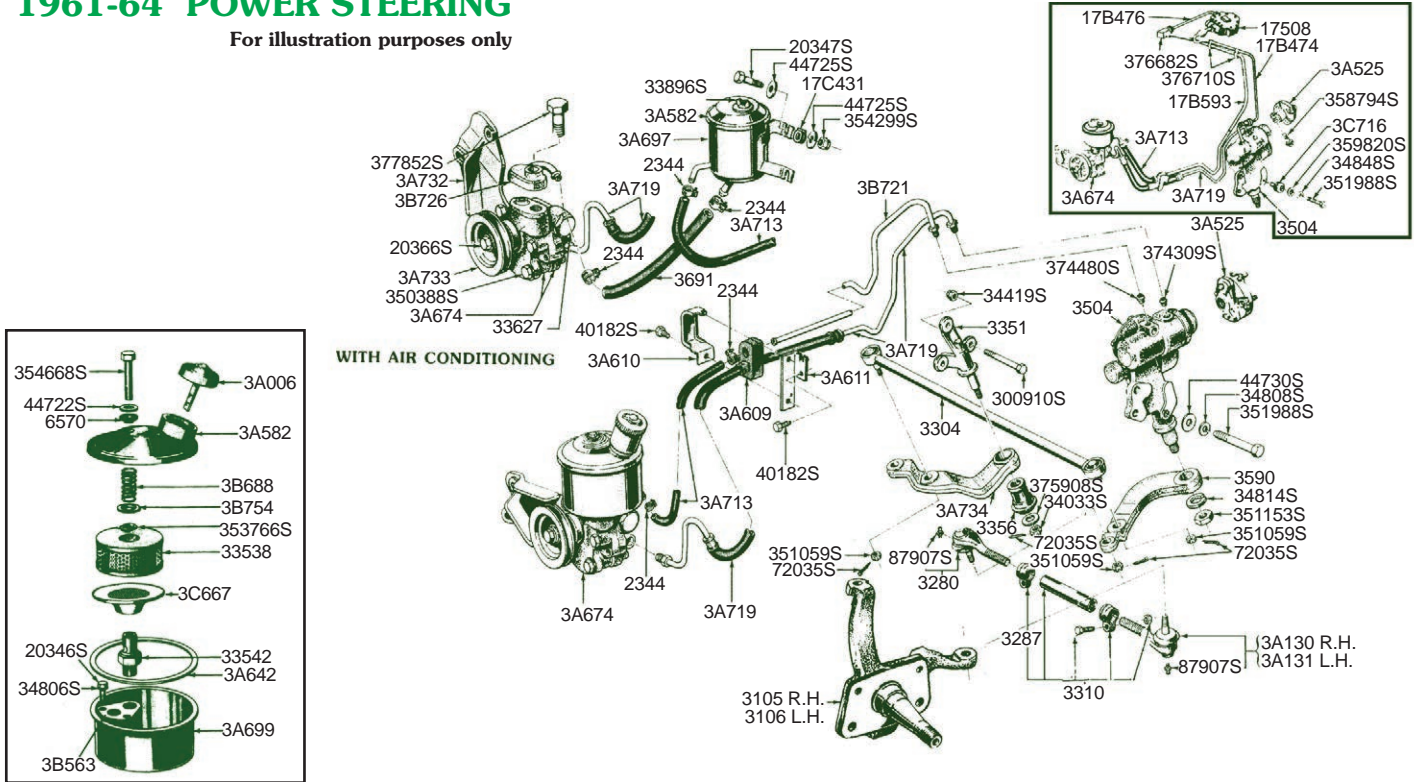
## 1958-60 STEERING COLUMN

For illustration purposes only



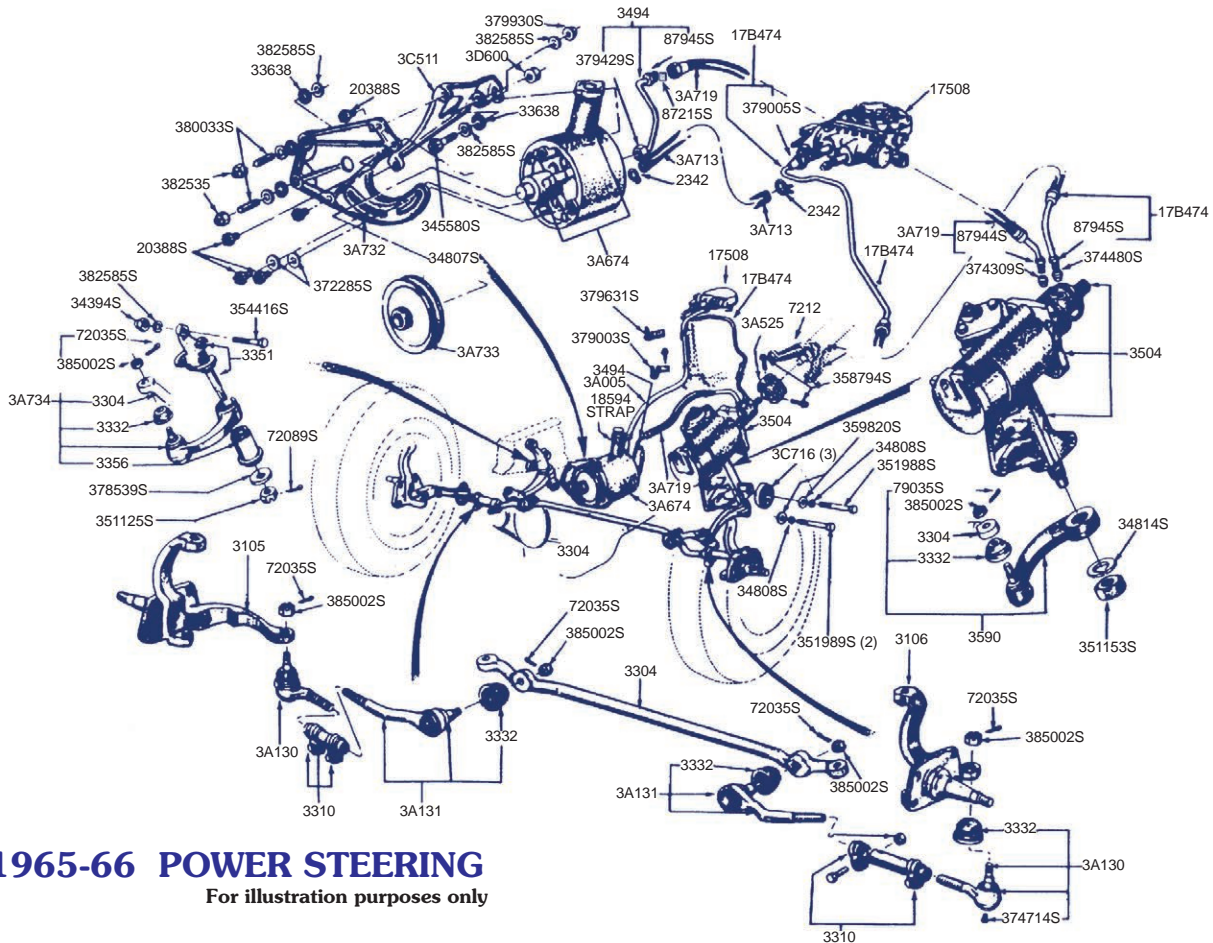
1961-64 POWER STEERING

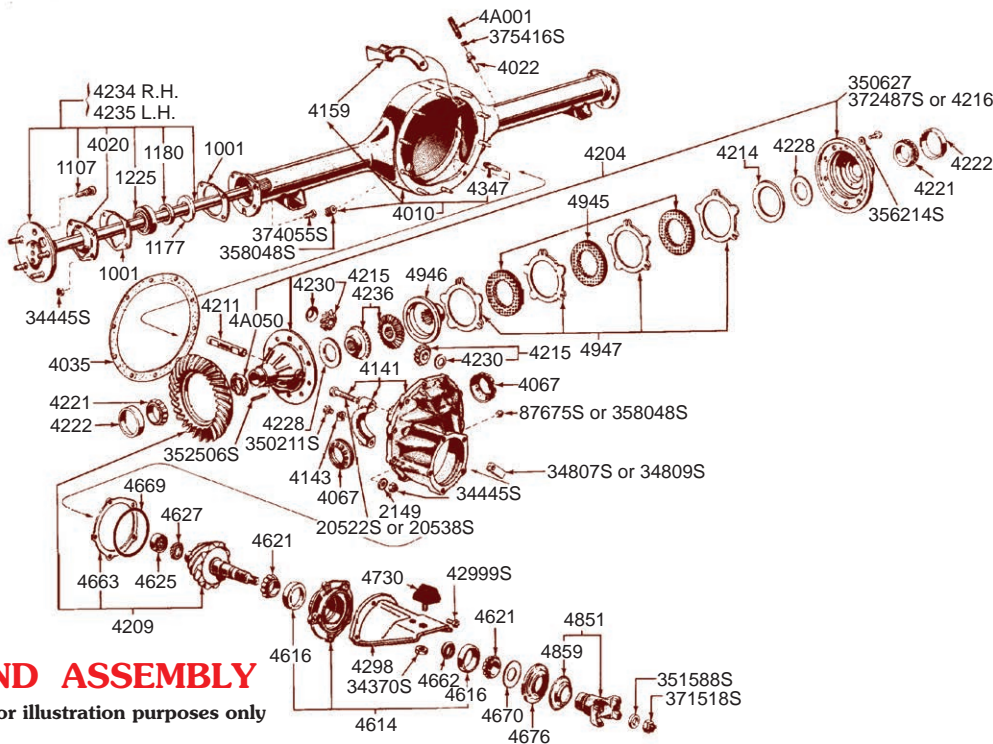
For illustration purposes only



1965-66 POWER STEERING

For illustration purposes only





## REAR END ASSEMBLY

For illustration purposes only

### 4035 Gasket, Rear End Housing

4035B	58-71, 9" gear .....	5.95
HWK269	3rd member to axle housing nuts, 10 pieces.....	14.70
•• NOTE •• See 2149 copper washers		

### 4143 Lock, Differential Bearing, Adjusting Nut

B4143B	58-66, NOS .....	3.25
--------	------------------	------

### 4211 Shaft and Gear Differential Pinion

B4211A	58-66, shaft only, 2 pinion type, 2 <sup>5</sup> / <sub>8</sub> " O.D. ....	30.25
B4211B	61-66, shaft and gears, 4 pinion type, 2 <sup>3</sup> / <sub>4</sub> " O.D. ....	119.95

### 4221 Bearing, Differential

B4221A	58-64, medium, 2 <sup>5</sup> / <sub>8</sub> O.D. ....	26.95
4221	58-70, large, 2 <sup>3</sup> / <sub>4</sub> " O.D., 9" gear.....	17.95

### 4222 Cup, Differential Bearing

B4222A	61-64, medium.....	19.95
4222	58-70, large, 9" gear.....	9.95

### 4228 Washer, Differential Side Gear Thrust

B4228A	58-71, except 9 <sup>3</sup> / <sub>8</sub> " ring gear .....	9.75
--------	---	------

### 4347 Bolt, Differential Carrier to Rear Axle Housing

B4347B	58-66 .....	3.60
HWK269	Copper washer kit .....	14.70

### 4529 U-Bolt, Universal Joint

B4529C	58-67 .....	11.95
BHK607	58-67 U-bolt nuts and washers, 8 pieces .....	2.00

### 4616 Cup, Driving Pinion Bearing

4616B	58-71, 9" gear .....	7.75
-------	----------------------	------

### 4621 Cone and Roller, Driving Pinion Bearing

4621B	58-71, 9" gear .....	14.65
-------	----------------------	-------

### 4625 Bearing Assembly, Driving Pinion Pilot

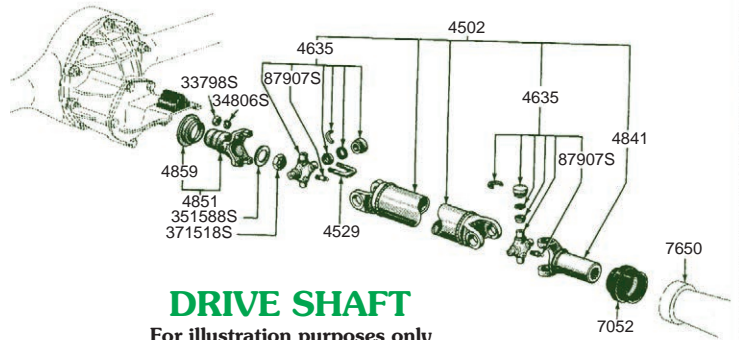
4625	58-71, 9" gear .....	33.35
------	----------------------	-------

### 4627 Retainer, Driving Pinion Pilot Bearing

4627	58-71, 9" gear .....	19.95
------	----------------------	-------

### 4635 Universal Joint

4635C	58-61, front or rear .....	16.00
B4635K	62, rear .....	39.95
B4635L	62, front / 63-66, front or rear / 67, 2 door, front / 67, 4 door, 3 required .....	18.95
B4635M	67, 2 door, rear .....	14.95
B4635N	68-71, 4 required.....	14.95



## DRIVE SHAFT

For illustration purposes only

### 4662 Spacer, Driving Pinion Bearing

4662	58-71, collapsible spacer .....	8.50
------	---------------------------------	------

### 4669 O-Ring, Driving Pinion Bearing Retainer

4669	58-71, 9" gear .....	4.95
------	----------------------	------

### 4670 Slinger, Oil Driving Pinion Shaft

4670B	58-71 .....	2.95
-------	-------------	------

### 4676 Pinion Seal

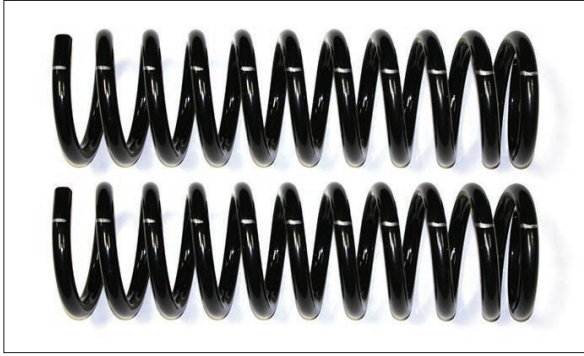
B4676A	63-64 .....	21.95
B4676B	65-71 .....	24.50
B4676C	58-62, 3" O.D. ....	18.95
4676B	58, 4 <sup>1</sup> / <sub>8</sub> " O.D. ....	28.95

### 4730 Bumper, Rear Axle or Spring

B4730B	61-66 axle to spring.....	12.95
--------	---------------------------	-------

### 4851 Repair Sleeve, Rear Yoke

4851B	58-68 yoke repair sleeve .....	36.50
-------	--------------------------------	-------



**5A308 Front Spring Saddle**

B5A308B 61-62, 2 required, pair.....29.95

**5310 Coil Spring, Front**

B5310A 58-60, 352, pair.....195.00  
 B5310C 59-60, 430, pair.....300.00  
 B5310E 62-63, 17½" with 9 coils, pair .....195.00  
 B5310G 63, 19½" with 11 coils, pair .....195.00  
 B5310H 64-66, without A/C, pair .....195.00  
 B5310I 64-66, with A/C, pair.....195.00  
 B5310J 67-69 - special order.....255.00

**5A322 Bushing Kit, Spring Saddle**

B5A322B 61-62, pair, 2 required.....49.95

**5334 Liner, Rear Spring Clamp**

5334 59-60, rubber .....1.55

**5355 Shim, Front Spring**

5355 58-64, with A/C  
 61-62, without A/C, LH.....9.95

**5415 Insulator, Front Spring**

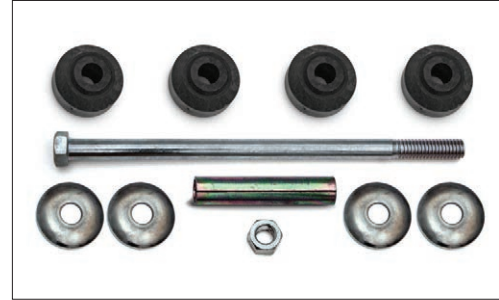
5415 58-60 .....5.25  
 B5415C 61-71, upper & lower, does one spring, pair .....14.75

**5482 Sway Bar Kit**

B5482AK 58-60, includes bushings, heavy duty, 1½" .....265.00  
 B5482BK 62-63, includes bushings, heavy duty, 1½" .....265.00  
 B5482CK 64-66, includes bushings, heavy duty, 1½" .....265.00  
 B5482DK 59-60, rear 1", includes bushings.....255.00  
 B5482EK 61-63, rear 1", includes bushings.....255.00  
 B5482FK 64-66, rear 1", includes bushings.....255.00  
 B5482GK 67-71, front, includes bushings, heavy duty, 1½" .....265.00  
 B5482HK 67-71, rear, includes bushings, heavy duty, 1" .....265.00

**5486 Bracket, Sway Bar Bushing**

B5486A 58-60, pair.....39.95



**B5A486A**

**5A486 Kit, Stabilizer End Repair**

B5A486A 61-71, front, 2 required  
 67-71, rear, 2 required.....8.95  
 B5A486B 58-60, 2 required.....13.20

**5493 Bushing, Sway Bar**

B5493A 58-60, 2 required.....6.95  
 B5493B 61-66, 2 required.....6.95  
 B5493C 67-68, pair.....16.95



**B5500K**

**5500 Upper Control Arm Bushing, Rear End**

B5500A 58, kit, set of 4, 1 required .....99.95  
 B5500K 58 Rear suspension bushing kit, includes:  
 B5500A, B5537A, B5548A, B5555A .....395.00

**5536 Rear Coil Spring Insulator**

B5536 67-71, 4 required.....9.95

**5537 Lower Axle Insulator Kit**

B5537A 58, 4 rubber insulators, 2 spacers, 1 required .....124.95

**5548 End Trackbar Bushing Kit**

B5548A 58, 2 pieces, 1 required .....69.95

**5555 Lower Control Arm Bushing**

B5555A 58, 2 pair, 1 required.....119.95

**5560 Spring, Rear**

B5560A 58, coil, matched set .....275.00  
 B5560B 59-60, matched set .....595.00  
 B5560C 61, matched set .....595.00  
 B5560D 62-63, hardtop, matched set.....595.00  
 B5560E 62, convertible, matched set .....595.00  
 B5560F 63, convertible, matched set .....595.00  
 B5560G 64-66, hardtop, matched set.....595.00  
 B5560H 64-66, convertible, matched set .....595.00  
 B5560I 67-69, rear coil, special order .....295.00

•• NOTE •• Springs have 5586 pads and 5724 clamps already installed.

**5586 Pad, Rear Leaf Spring**

5586 59-60, anti-squeak, 4 required per spring.....1.52  
 B5586B 61-66, 6 required per spring .....2.00

**Don't forget your shocks.**

**18125 Rear Oil Shocks**

B18125A 59-60.....49.95  
 B18125B 64-66.....49.95  
 B18125C 61-63.....49.95  
 B18125D 58.....49.95  
 B18125F 67-71.....49.95

**18125 Rear Gas Shocks**

B18125AG 59-60.....84.95  
 B18125BG 64-66.....84.95  
 B18125CG 61-63.....84.95  
 B18125DG 58.....84.95  
 B18125FG 67-71.....78.95

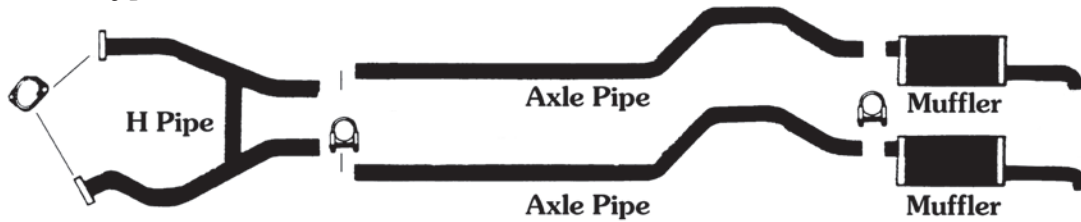
**18125 Rear Bilstein Shocks**

Our highest quality aftermarket shock absorber designed to out perform and outlast other modified shocks. Custom shocks available upon request.

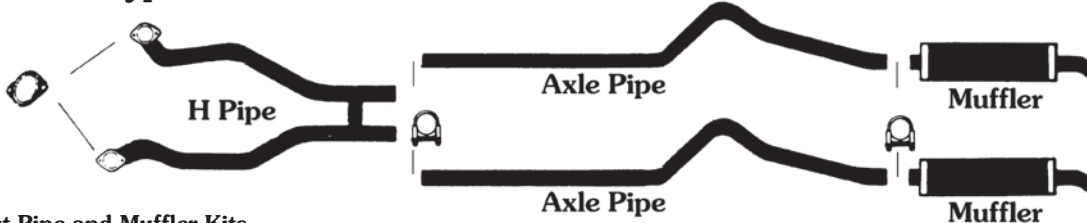
B18125G 59-60.....149.00  
 B18125H 61-63.....149.00  
 B18125J 64-66.....149.00  
 B18125K 58.....149.00

**10% Quantity Discount on Prepaid \$1000.00 orders. See back of order form**

## 1958-1960 Typical



## 1961-1963 Typical



### 5200 Exhaust Pipe and Muffler Kits

B5200AK	58, 352, aluminized.....	579.95	B5200EKSS	62, 4 barrel, stainless steel.....	950.00
B5200AKSS	58, 352, stainless steel.....	950.00	B5200FK	62, 3-2 barrel, aluminized.....	579.95
B5200BK	59-60, 352, aluminized.....	579.95	B5200FKSS	62, 3-2 barrel, stainless steel.....	950.00
B5200BKSS	59-60, 352, stainless steel.....	950.00	B5200GK	63, 4 barrel, single exhaust, aluminized.....	520.95
B5200CK	59-60, 430 aluminized.....	599.95	B5200GKSS	63, 4 barrel, single exhaust, stainless steel.....	950.00
B5200CKSS	59-60, 430 stainless steel.....	950.00	B5200HK	63, 3-2 barrel, aluminized.....	579.95
B5200DK	61, aluminized.....	579.95	B5200HKSS	63, 3-2 barrel, stainless steel.....	950.00
B5200DKSS	61, stainless steel.....	950.00	B5200IK	63, dual exhaust conversion, aluminized.....	579.95
B5200EK	62, 4 barrel, aluminized.....	579.95	B5200IKSS	63, dual exhaust conversion, stainless steel.....	950.00

•• NOTE •• All exhaust pipe/mufflers are drop shipped from the factory allow 2-3 weeks. •• NOTE •• No additional discounts apply.

### 5230 Muffler

B5230A	58-60, muffler, aluminized.....	90.00
B5230ASS	58-60, muffler, stainless steel.....	225.00
B5230B	62, LH muffler, aluminized.....	110.00
B5230BSS	62, LH muffler, stainless steel.....	225.00
B5230C	62, RH muffler, aluminized.....	110.00
B5230CSS	62, RH muffler, stainless steel.....	225.00
B5230D	63, muffler, aluminized single exhaust.....	120.00
B5230DSS	63, muffler, stainless steel, single exhaust.....	225.00
B5230E	64-66, LH muffler, aluminized.....	95.00
B5230ESS	64-66, LH muffler, stainless steel.....	225.00
B5230F	64-66, RH muffler, aluminized.....	95.00
B5230FSS	64-66, RH muffler, stainless steel.....	225.00
B5230G	61 / 62-63, 3-2 barrel LH muffler, aluminized.....	99.95
B5230GSS	61 / 62-63, 3-2 barrel LH muffler, stainless steel.....	225.00
B5230H	61 / 62-63, 3-2 barrel RH muffler, aluminized.....	99.95
B5230HSS	61 / 62-63, 3-2 barrel muffler stainless steel.....	225.00

### 5246 H Pipe

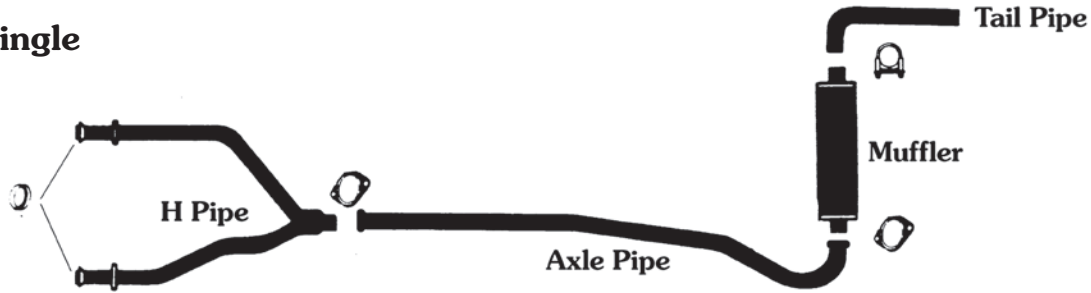
B5246A	58-60, 352 H pipe, aluminized.....	160.00
B5246ASS	58-60, 352 H pipe, stainless steel.....	225.00
B5246B	59-60, 430 H pipe, aluminized.....	185.00
B5246BSS	59-60, 430 H pipe, stainless steel.....	225.00
B5246C	61, H pipe, aluminized.....	175.00
B5246CSS	61, H pipe, stainless steel.....	225.00
B5246D	62, H pipe, aluminized.....	175.00
B5246D	62, H pipe, stainless steel.....	175.00
B5246E	62-63, 3-2 barrel H pipe, aluminized.....	175.00
B5246ESS	62-63, 3-2 barrel H pipe, stainless steel.....	225.00
B5246F	63, Y pipe, single exhaust, aluminized.....	185.00
B5246FSS	63, Y pipe, single exhaust, stainless steel.....	235.00
B5246G	64-65, 390 H pipe, aluminized.....	175.00
B5246GSS	64-65, 390 H pipe, stainless steel.....	225.00
B5246H	66, 390 H pipe, aluminized.....	175.00
B5246HSS	66, 390 H pipe, stainless steel.....	225.00
B5246I	66, 428 H pipe, aluminized.....	175.00
B5246ISS	66, 428 H pipe, stainless steel.....	195.00
B5246J	63, dual exhaust conversion H pipe, aluminized.....	175.00
B5246JSS	63, dual exhaust conversion H pipe, stainless steel.....	225.00
B5246K	67, 428 H pipe.....	195.00
B5246KSS	67, 428 H pipe, stainless steel.....	225.00

### 5255 Exhaust Pipe, Over Axle

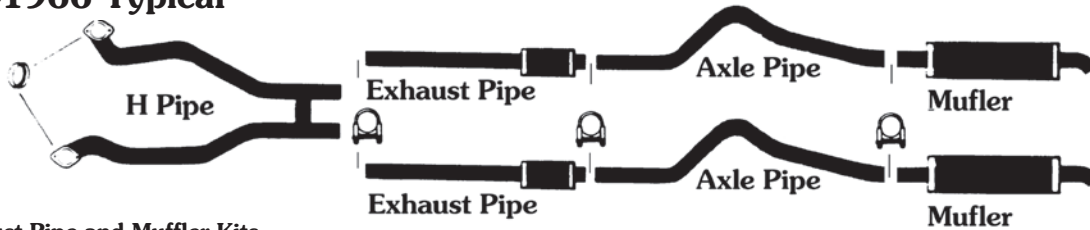
B5255A	58, LH 352, aluminized.....	125.00
B5255ASS	58, LH 352, stainless steel.....	175.00
B5255B	58, RH 352, aluminized.....	125.00
B5255BSS	58, RH 352, stainless steel.....	175.00
B5255C	58-60, muffler turn down pipe.....	25.00
B5255CSS	58-60, muffler turn down pipe, stainless steel.....	30.00
B5255D	59-60, LH 352, aluminized.....	125.00
B5255DSS	59-60, LH 352, stainless steel.....	175.00
B5255E	59-60, RH 352, aluminized.....	125.00
B5255ESS	59-60, RH 352, stainless steel.....	175.00
B5255F	59-60, RH 430, aluminized.....	125.00
B5255FSS	59-60, RH 430, stainless steel.....	175.00
B5255G	59-60, LH 430, aluminized.....	125.00
B5255GSS	59-60, LH 430, stainless steel.....	175.00
B5255H	61, LH, / 62, 3-2 barrel, LH, aluminized.....	120.00
B5255HSS	61, LH, / 62, 3-2 barrel, LH, stainless steel.....	175.00
B5255I	61, RH, / 62, 3-2 barrel, RH, aluminized.....	120.00
B5255ISS	61, RH, / 62, 3-2 barrel, RH, stainless steel.....	175.00
B5255J	62, 4 barrel, LH, aluminized.....	125.00
B5255JSS	62, 4 barrel, LH, stainless steel.....	175.00
B5255K	62, RH, aluminized.....	125.00
B5255KSS	62, RH, stainless steel.....	175.00
B5255L	63, single pipe, aluminized.....	120.00
B5255LSS	63, single pipe, stainless steel.....	175.00
B5255M	63, muffler tail pipe, aluminized.....	98.00
B5255MSS	63, muffler tail pipe, stainless steel.....	125.00
B5255N	63, 3-2 barrel RH, aluminized.....	125.00
B5255NSS	63, 3-2 barrel RH, stainless steel.....	175.00
B5255O	63, 3-2 barrel LH, aluminized.....	125.00
B5255OSS	63, 3-2 barrel LH, stainless steel.....	175.00
B5255P	64-66, mid-pipe with resonator, aluminized.....	140.00
B5255PSS	64-66, mid-pipe with resonator, stainless steel.....	195.00
B5255Q	64-66, mid-pipe without resonator, aluminized.....	50.00
B5255QSS	64-66, mid-pipe without resonator, stainless steel.....	125.00
B5255U	64-66, RH rear pipe, aluminized.....	99.95
B5255USS	64-66, RH rear pipe, stainless steel.....	175.00
B5255V	64-66, LH rear pipe, aluminized.....	99.95
B5255VSS	64-66, LH rear pipe, stainless steel.....	175.00



1963 Single



1964-1966 Typical



5200 Exhaust Pipe and Muffler Kits

B5200JK	64-65, without resonator, aluminized.....	579.95	B5200OK	66, 428, with resonator, aluminized.....	679.95
B5200JKSS	64-65, without resonator, stainless steel.....	950.00	B5200OKSS	66, 428, with resonator, stainless steel.....	1225.00
B5200KK	64-65, with resonator, aluminized.....	679.95	B5200PK	67, 390/428, without resonator, aluminized.....	795.95
B5200KKSS	64-65, with resonator, stainless steel.....	1225.00	B5200PKSS	67, 390/428, without resonator, stainless steel.....	1325.00
B5200LK	66, 390, without resonator, aluminized.....	579.95	B5200QK	67, 390/428, with resonator, aluminized.....	950.00
B5200LKSS	66, 390, without resonator, stainless steel.....	950.00	B5200QKSS	67, 390/428, with resonator, stainless steel.....	1425.00
B5200MK	66, 390, with resonator, aluminized.....	679.95	B5200RK	68-69, 429, without resonator, aluminized.....	795.95
B5200MKSS	66, 390, with resonator, stainless steel.....	1225.00	B5200RKSS	68-69, 429, without resonator, stainless steel.....	1325.00
B5200NK	66, 428, without resonator, aluminized.....	579.95	B5200SK	68-69, 429, with resonator, aluminized.....	895.00
B5200NKSS	66, 428, without resonator, stainless steel.....	950.00	B5200SKSS	68-69, 429, with resonator, stainless steel.....	1375.00

•• NOTE •• All exhaust pipe/mufflers are drop shipped from the factory allow 2-3 weeks. •• NOTE •• No additional discounts apply.

Clamps & Hangers

B5A206	64-66, intermediate hanger.....	28.95
B5A246B	61-62, RH intermediate hanger.....	49.95
B5A249B	61-62, LH intermediate hanger.....	49.95
B5261B	63, single exhaust rear of muffler hanger.....	24.95
B5261D	64-66, rear muffler hanger, pair.....	44.95
B5251A	63, single exhaust, 2 1/4" clamp, 3 required.....	2.25
B5251B	59-60, 1 3/4" clamp, muffler turn down, 2 required.....	2.25
B5251C	62, 390, 4 required.....	2.25
B5260C	2" clamp, all other locations, as required.....	2.25
B5277A	64-66, rear muffler hanger insulator, for B5261A/D.....	16.95
B5278A	61-62 / 63 dual exhaust rear muffler bracket, RH.....	44.95
B5278A	61-62 / 63 dual exhaust rear muffler bracket, LH.....	44.95

Spacers and Valves

B9A427A	58-61, heat riser valve.....	85.95
B9A427AS	58/61, heat riser spacer.....	28.95
B9A427D	66, heat riser valve.....	85.95
B9A427DS	66, heat riser spacer.....	40.95
B9A447A	58-66, exhaust manifold lock, 15 required.....	0.99
B9A447B	Exhaust manifold bolt lock, long tab, 1 required.....	1.75
B9A447AK	Bolt lock kit, 58-62, RH, 352/390.....	10.25
B9A447BK	Bolt lock kit, 58-66, LH, or 63-66 RH.....	10.50
B9A447CK	Bolt lock kit, 58-62, 352/390, both sides.....	16.95
B9A447DK	63-66 / 59-60 430, both sides.....	16.95

9430-9431 Exhaust Manifolds

B9430A	Exhaust manifold, casting #575204, flat flange, RH, 58-60, 352.....	285.00
B9430B	Exhaust manifold, casting #B9EM-9430-A, flat flange, RH, 59-60 430 / 58 Lincoln.....	285.00
L9430A-KIT	Exhaust manifold, casting #B9EM-9430-A, tapered flange, RH, 59-68, Lincoln, Mercury and Edsel.....	219.00
B9430C	Exhaust manifold, casting #C1SE-9430-B, flat flange, RH, 61-62, 390.....	285.00
B9430D	Exhaust manifold, casting #C3SE-9430-B, tapered flange, RH, 63-64, 390.....	285.00
B9430E	Exhaust manifold, casting #C5SE-9430-C, tapered flange, RH, 65 390.....	285.00

B9430F	Exhaust manifold, casting #C6AE-9430-A, tapered flange, RH, 66-67 428.....	285.00
B9430G	Exhaust manifold, casting #C6AE-9430-A, flat flange, RH, 66-67 390.....	285.00
B9431A	Exhaust manifold, casting #5750730, flat flange, LH 58-60 352.....	285.00
B9431B	Exhaust manifold, casting #B9EL-9431-A, flat flange, LH 59-60 430 / 58 Lincoln.....	285.00
L9431A-KIT	Exhaust manifold, casting #B9EL-9431-A, tapered flange, LH, 59-68 Lincoln, Mercury and Edsel.....	219.00
B9431C	Exhaust manifold, casting #C1SE-9431-B, flat flange, LH 61-62 390.....	285.00
B9431D	Exhaust manifold, casting #C3SE-9431-B, tapered flange, LH, 63-67 390/428.....	285.00

Headers

B9431BN	61-66 bare, pair.....	495.00
B9431BC	61-66 ceramic, pair.....	695.00

•• NOTE •• No additional discounts apply.

Gaskets

B9432A	59-60 430 exhaust manifold gaskets, pair.....	21.95
B9432C	58-72 352/390/428 exhaust manifold gaskets, pair.....	19.95
B9448E	61-68 heat shield, 352/390/428, pair.....	21.95
9450	58-67 H pipe gasket, flat, 352/390/428.....	2.75
B9450B	59-60 430 H pipe gasket.....	5.95
B9450C	63 single exhaust pipe gaskets, 2 required.....	6.95
B9450D	63 single exhaust / 64-67 donut gasket.....	4.50

Hardware Kits

BHK600	Header pipe to exhaust manifold, 58-61 RH, 352/390, 6 pieces.....	9.95
BHK601	Header pipe to exhaust manifold, 59-60 430, RH or LH.....	9.95
BHK602	Header pipe to exhaust manifold, 63-65 RH, 66 428 RH, 6 pieces.....	8.95
BHK603	Header pipe to exhaust manifold, 66 390 RH.....	11.95
BHK604	Header pipe to exhaust manifold, 58-66 LH, 62 RH 352/390/428, 6 pieces.....	9.95
BHK605	Exhaust manifold to heads, 58-72 352/390/428, 8 pieces.....	3.95
BHK606	Exhaust manifold to heads, 59-60 430.....	14.95

## 1958 - 1971 Heavy Duty Sway Bar Kits

### Reduces:

- Under steering
- Tire squeal
- Tire wear
- Front end dive
- Body roll

### Adds:

- Firm controlled ride
- Positive handling
- Minimum "dip" in curves
- 1 1/8" Sway bar (Seven times the resistance provided by the 1 1/16" stock sway bar)

### Kit Includes:

- Heavy duty front sway bar
- Heavy duty urethane bushings
- Heavy duty urethane end link bushings
- Necessary mounting hardware

### 5482 Sway Bar Kit with Bushings

B5482AK 58-60, heavy duty.....	265.00
B5482BK 61-63, heavy duty.....	265.00
B5482CK 64-66, heavy duty.....	265.00
B5482DK 59-60, rear 1".....	255.00
B5482EK 61-63, rear 1".....	255.00
B5482FK 64-66, rear 1".....	255.00
B5482GK 67-71, heavy duty.....	265.00
B5482HK 67-71, rear, heavy duty 1".....	265.00



**B5630A**



**5630**



**B5630F**

### 5630 Bushings, Rear Spring, Front

B5630A 63-66, bushings only, pair, 2 pair required.....	19.95
B5630C 59-60, 2 required.....	19.95
B5630E 62, bushings only, pair, 2 pair required.....	19.50

### 5630 Shackle Kit, Rear Spring, Rear, Includes 5781 Bushings

5630 59-60, rear of spring, 2 required.....	16.95
B5630D 61-63, rear of spring, 2 required.....	37.95
B5630F 64-66, rear of spring, 2 required.....	46.95

### 5A638 Rear Suspension Control Arm Bushings

B5A638A 67-71 upper, pair, 2 required.....	91.50
B5A638B 67-71 lower, pair, 2 required.....	48.95

### 5705 U-Bolt, Rear Spring

5705B 59-61.....	11.50
B5705C 62-66.....	14.95

### 5724 Clamp Kit, Rear Spring

B5724A 61-66, 4 required per spring.....	10.50
5724 59-60, 3 required per spring.....	7.95

### 5736 Retainer, Rear Spring Center Mounting Insulator

5736 59-60.....	9.00
-----------------	------

### 5741 Insulator, Rear Spring Center Mounting

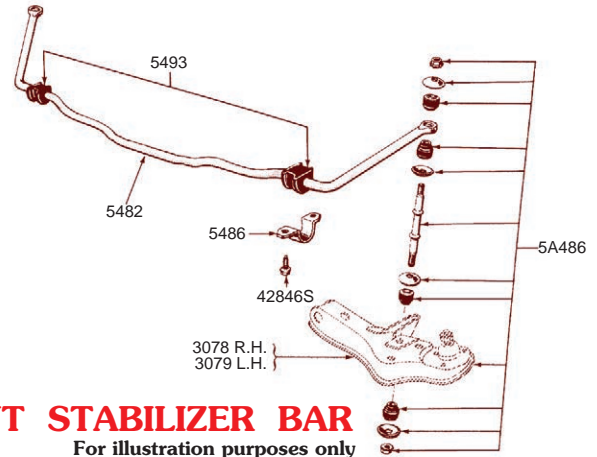
5741 59-60, 4 required.....	6.95
B5741B 61-66, after 2/1/61, 4 required.....	10.95
B5741C 61, before 2/1/61, 4 required.....	17.95

### 5781 Bushing, Rear Spring

5781A 59-60, rear, 8 required.....	2.25
B5781B 61-63, rear, 8 required.....	5.95
B5781C 61, front, 8 required.....	
64-66, upper rear, short, 4 required.....	5.95
B5781D 64-66, lower rear, long, 4 required.....	4.95

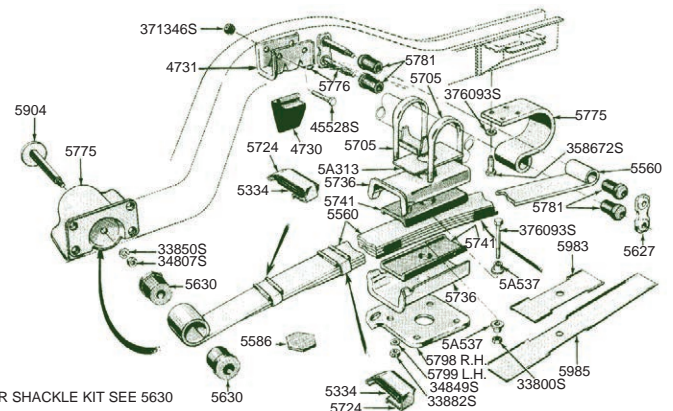
### 5904 Bolt, Front of Rear Spring

B5904C 63-66 included nut and washer.....	22.95
---	-------



## FRONT STABILIZER BAR

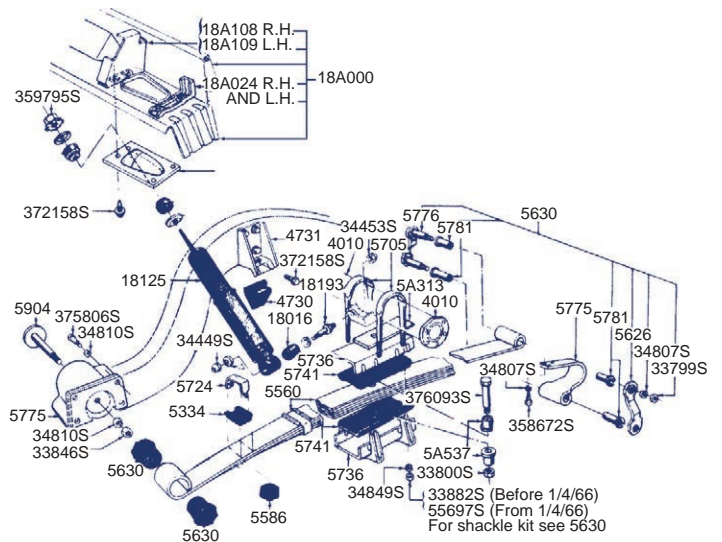
For illustration purposes only



FOR SHACKLE KIT SEE 5630

## 1962-63 REAR SUSPENSION

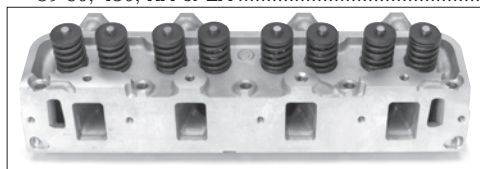
For illustration purposes only



## 1964-66 REAR SUSPENSION

For illustration purposes only

<b>6008 Gasket Set, Engine Overhaul</b>	
B6008A	59-60, 430.....179.95
B6008B	58-68, 352/390/428.....139.95
B6008C	68-71, 429.....99.95
<b>6A008 Dowel, Cylinder Head to Block</b>	
B6A008A	58-71.....3.50
<b>6020 Timing Cover Gasket and Seal Set</b>	
B6020A	58-60, 352.....19.95
B6020B	59-60, 430.....19.95
B6020C	68-72, 429.....29.95
B6020D	61-68, 390/428.....18.95
<b>6026 Freeze Plug Set</b>	
B6026KS	58-68, 352/390/428, steel.....14.95
B6026KB	58-68, 352/390/428, brass.....28.95
B6026BS	68-72, 429, steel.....13.95
B6026BK	68-72, 429, brass.....19.95
B6026CB	59-60, 430, brass.....25.95
<b>6028/6029 Motor Mount Brackets</b>	
B6028A	59-60, 430, RH or LH.....39.95
B6028B	61-63, RH.....35.95
B6028C	64-66, RH.....35.95
B6029B	61-63, LH.....35.95
B6029C	64-66, LH.....35.95
<b>6035 Motor Mount Heatshield</b>	
B6035A	58-66, LH.....13.95
<b>6038 Motor Mount</b>	
B6038A	59-60, 430, RH or LH.....45.95
B6038B	64-65, 66 390 with automatic transmission, RH.....40.95
B6038C	58-63, 352/390 RH or LH.....29.95
	66, 390 with C6 or 428, RH or LH.....29.95
B6038D	64-66, 390 with automatic transmission, LH.....40.95
B6038E	67 RH.....20.95
B6038F	67 LH.....20.95
B6038G	68-71, 429 RH.....40.95
B6038H	68-71, 429 LH.....40.95
<b>6039 Motor Mount Insulator</b>	
B6039	59-60, 430, RH or LH.....7.50



<b>6049 Edelbrock Cylinder Heads, Gaskets &amp; Bolt Kits</b>	
E60069	61-68, 390/428 cylinder head.....831.50
E60679	69-72, 429 cylinder head.....1237.50
E6009	Rocker arm stud kit for E60069.....134.95
E7337	61-68, 390/428 head gaskets, pair.....56.95
E7314	68-72, 429 head gaskets, pair.....116.95
E7368	61-68, 390/428 valve grind gasket set.....131.95
E7365	68-72, 429 valve grind gasket set.....171.95
E7224	58-68, 352/390/428 intake manifold gaskets.....25.95
E7223	68-72, 429 intake manifold gaskets.....24.95
E7229	61-68, 390/428 exhaust manifold gasket set.....28.95
E7228	68-72, 429 exhaust manifold gasket set.....24.95
E8557	58-68, head bolt kit, 352/390/428.....170.95
<b>6051 Gasket, Cylinder Head</b>	
B6051A	58-68, 352/390/428.....39.95
B6051B	59-60, 430.....39.95
B6051C	68-73, 429.....29.95
<b>6054 Bracket, Transmission Mount</b>	
6054	58-60.....38.95
<b>6065 Bolt, Cylinder Head</b>	
B6065A	58-68, 352/390/428, 1/2"-13 x 4 <sup>29</sup> /64".....9.95
B6065B	58-68, 352/390/428, 1/2"-13 x 2 <sup>7</sup> /8".....5.50
<b>6068 Transmission Mount</b>	
B6068A	61-63.....26.50
B6068B	66-67, C6.....23.50
B6068C	64/65 and 66, 390 with Cruise-O-Matic transmission.....23.50
6068A	58-60, 352.....19.50
B6068E	59-60, 430.....45.95
B6068F	68-71.....95.00

<b>6148 Piston Ring Sets</b>	CALL
<b>6211 Rod Bearings</b>	CALL
<b>6212 Nut, Connecting Rod</b>	
B6212A	58-66.....1.25
<b>6214 Bolt, Connecting Rod</b>	
B6214A	58-66.....2.35
<b>6250 Edelbrock Camshafts &amp; Valve Springs</b>	
E2106	63-68, Performer Plus camshaft and lifter kit, 390-428.....306.95
E9739	58-68, Lifters, for Performer Plus cam #2106, 16 pieces.....74.57
E9705	58-68, Lifters, for Performer RPM cam #7106, 16 pieces.....184.95
E2167	68-72, 429 Performer Plus camshaft and lifter kit.....302.95
E9745	68-72, 429 Lifters, for Performer RPM camshaft #7167, 16 pieces.....107.73
<b>6A251A Camshaft, Bearing Kit</b>	
B6A251A-STD	63-66.....49.95
<b>6256 Timing Chain and Gear Sets</b>	
B6256AK	58-62, 352/390 except 3-2 barrel.....72.90
B6256BK	63-68, 390/428 and 62 3-2 barrel.....55.00
B6256BTRK	63-68, 390/428 and 62 3-2 barrel, true roller.....94.95
B6256CK	68-71, 429.....49.95
<b>6269 Plate, Camshaft Thrust</b>	
B6269A	63-68, 390, 428.....16.95
<b>6312 Crankshaft Harmonic Balancer</b>	
B6312AX	58-59, 352, with casting # EDC6316B.....250.00
B6312BX	59-60, 430, before 2/1/60, with timing marks.....250.00
B6312CX	60, 430, from 2/1/60 with bump, without timing marks.....250.00
B6312DX	60-66, 352/390, with bump, without timing mark.....250.00
B6312E	60-67, 352/390, without bump, with timing mark, new.....105.95
B6312F	58-67, repair sleeve, 352/390/428.....12.95
B6312G	68-71, 390, new.....99.95
•• CORE ••	Core must be sent first
<b>6A321 Seal, Rear Main</b>	
B6A321A	58-68, 352/390/428.....29.95
B6A321B	59-60, 430.....57.20
B6A321C	68-72, 429.....16.95
<b>6333 Main Bearings</b>	CALL
<b>6345 Bolt, Main Cap</b>	
B6345B	58-68, 352/390/428/429, NOS.....5.30
<b>6375 Flywheel Assembly</b>	
B6375A	58-64, automatic transmission, 153 teeth.....99.00
B6375B	66-67, 428, 184 teeth.....124.95
B6375D	65-68, 390, 184 teeth.....84.95
B6375E	69-78, 429/460.....84.95
<b>6378 Washer, Crankshaft Pulley</b>	
B6378A	58-68, 352/390/428.....12.95
<b>6436 Seal, Starter to Bell Housing</b>	
6436	58-62.....14.25
<b>6505 Valve, Exhaust, (For Unleaded Gas)</b>	
B6505A	58-67, 352/390/428.....10.05
<b>6507 Valve, Intake, (For Unleaded Gas)</b>	
B6507A	58-67, 352/390/428 3-2 barrel carbs.....7.35
<b>6513 Valve Spring</b>	
B6513A	58-68, 352/390/428.....5.95
E5806	Performer, 352/390, non rotator, 16 pieces.....79.95
E5906	Performer, 352/390, with rotators, 16 pieces.....59.95
E5867	68-72, 429 Performer, 16 pieces.....59.95
<b>6A527 Valve Cover Stud</b>	
B6A527A	58-66, chrome wing bolt, 5/16"-18, 10 required.....8.95
•• NOTE ••	For Edelbrock heads only.
<b>6549 Rocker Arm Adjusting Screw</b>	
6549	58-60, 352, 16 required.....3.95
<b>6563 Rocker Arm Assembly</b>	
B6563AX	58-66, 352/390/428, adjustable, pair.....399.95
B6563BX	58-66, 352/390/428, non adjustable, pair.....199.95
•• NOTE ••	Core must be sent first.
<b>6565 Push Rod</b>	
B6565B	58-66, all except 63-64, 390, 9 <sup>9</sup> /16".....4.95
B6565C	63-64, 390, 9 <sup>3</sup> /4".....3.90

**Engine rebuild kits available. Call for pricing.**



**E4462**



**E4162**



**Engine Paint 12 Ounce Spray Can**

Color matched to original engine colors.

- EP-1 Orange Red ..... **16.95**
- EP-2 Argent Silver ..... **16.95**
- EP-3 Light Blue ..... **16.95**
- EP-4 Black ..... **14.95**
- EP-5 Colonial White ..... **16.95**
- EP-6 Golden Rod Yellow ..... **16.95**
- EP-7 Gold ..... **16.95**
- EP-8 Dark Blue ..... **16.95**

**6570 Grommet**

6570A 58-65, power steering oil reservoir cover ..... 1.55

**6582 Valve Cover**

E4162 58-63, 352/390, Edelbrock classic finned aluminum valve cover set, pair ..... 387.95

E4401 Edelbrock wing bolts, 3<sup>3</sup>/<sub>4</sub>" , 2 pieces, Edelbrock heads only ..... 27.95

E4462 58-63, 352/390, Edelbrock low profile, chrome, pair ..... 78.95

E4463 68-72, 429 Edelbrock, pair ..... 78.95

B6582C 58-63, 352/390, chrome, pair ..... 149.95

B6582D 390/428, Chrome valve covers, pair Pent roof style ..... 229.95

B6582E 68-72, Chrome valve covers 429/460 ..... 42.95

**6A892 Grommet, PCV Valve**

377394S 61-68, 390/428, push-in style ..... 5.75

B6A892A 68-71, 429, PCV valve grommet, twist style ..... 4.95

**6584 Gasket, Valve Cover**

B6584A 59-60, 430, pair ..... 19.95

B6584B 58-68, 352/390/428, pair, rubber ..... 26.95

B6584C 58-68, 352/390/428, pair, cork ..... 21.95

B6584D 68-71, 429, pair, rubber ..... 19.95

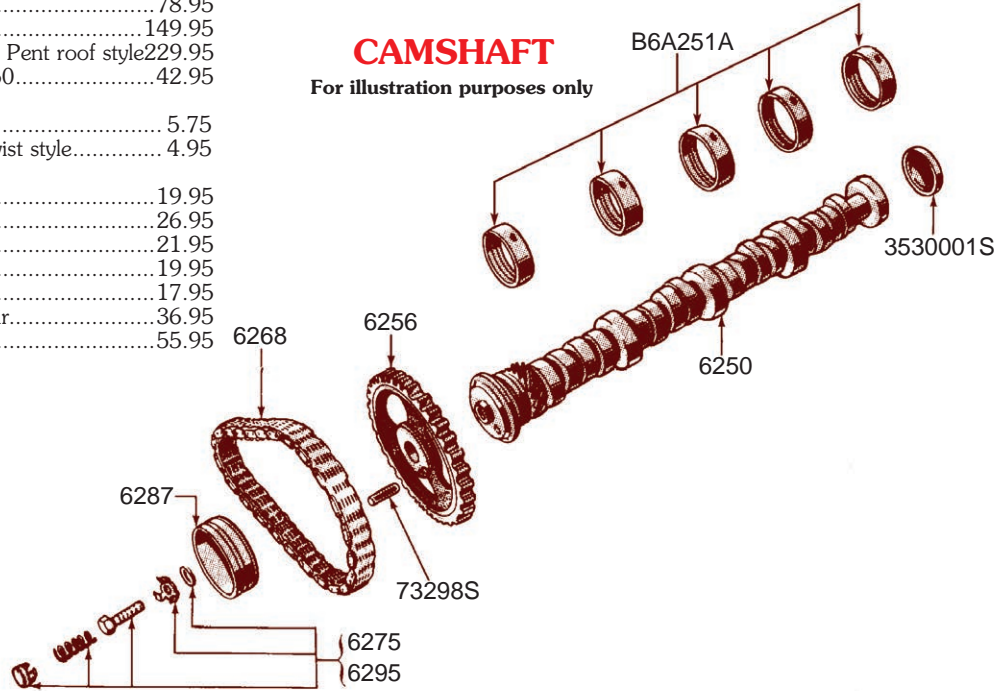
B6584E 68-71, 429, pair, cork ..... 17.95

E7568 58-68, 352/390/428 Edelbrock, pair ..... 36.95

E7563 68-72, 429 Edelbrock, pair ..... 55.95

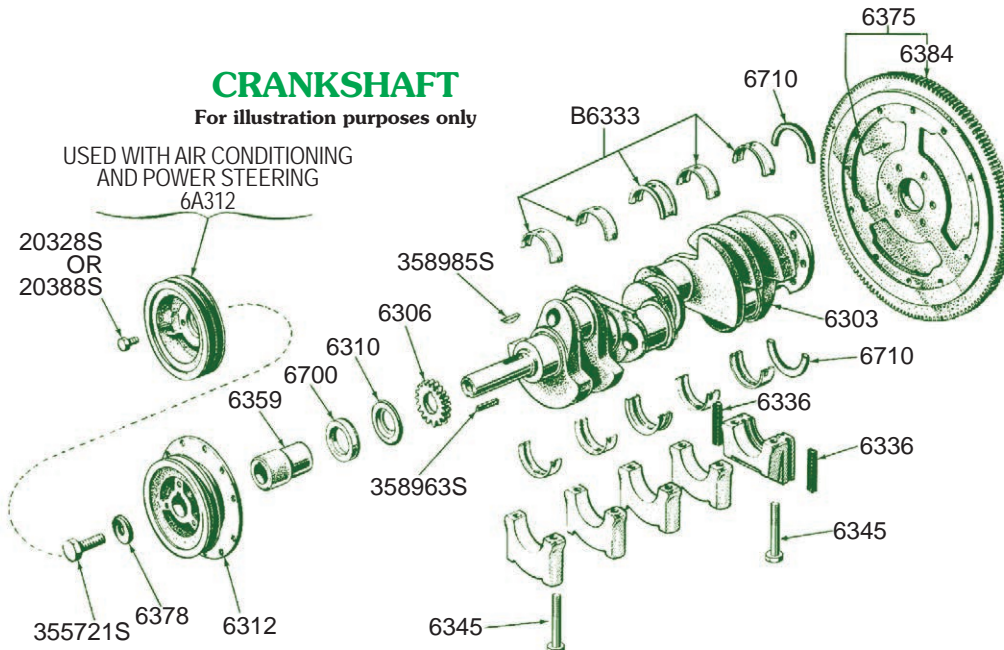
**CAMSHAFT**

For illustration purposes only



**CRANKSHAFT**

For illustration purposes only



USED WITH AIR CONDITIONING AND POWER STEERING  
6A312

20328S  
OR  
20388S

355721S

6378

6312

358985S

6306

6310

6700

6359

358963S

B6333

6710

6303

6710

6336

6336

6345

6345

**6600 Oil Pump**

B6600A	58-68, 352/390/428.....	75.95
B6600B	62-63, 390 3-2 barrel carbs.....	105.00
B6600C	68-71, 429.....	78.95
B6600D	58-68, 352/390/428, high volume.....	95.80

**6A618 Shaft, Oil Pump**

B6A618A	58-68, 352/390/428.....	17.95
B6A618B	68-71, 429.....	12.95
B6A618C	58-68 MEL 383/410/430/462.....	25.16

**6A636 Gasket, Oil Filter Housing**

B6A636B	58-71, 352/390/428.....	1.95
---------	-------------------------	------



**6A664 Hose, PCV Valve**

B6A664D	65-66.....	13.95
---------	------------	-------

**6A665 PVC Port Intake Manifold Adapter**

B6A665	61-64.....	26.95
--------	------------	-------

**6A666 Valve, Crankcase Ventilation, (PCV)**

B6A666A	62-64.....	12.50
B6A666B	65-71.....	5.50

**6675 Oil Pan**

B6675A	58-68, 352/390/428.....	89.95
B6675B	58-68, 352/390/428, chrome.....	99.95

**6710 Oil Pan Gaskets**

B6710A	58-68, 352/390/428.....	18.95
B6710B	59-60, 430.....	18.50
B6710C	68-71, 429.....	15.95

**6730 Oil Pan Plug**

B6730A	58-71.....	2.25
--------	------------	------

**6731 Filter, Oil**

6731B	58-71, Motorcraft.....	7.25
-------	------------------------	------

**6734 Oil Pan Plug Washer**

B6734A	58-71.....	1.95
--------	------------	------

**6750 Dipstick, Engine Oil**

B6750A	58-60, 352 (see note below).....	21.95
B6750B	59-60, 430.....	21.95
B6750C	61-64 (see note below).....	21.95
B6750D	65.....	21.95
B6750E	66.....	21.95
B6750F	67-71, 390 with chrome handle.....	30.95

•• NOTE •• For 1960 built after 4/1/60 must also replace tube  
 •• NOTE •• For 1961-62 built before 10/10/61 must also replace tube

**6754 Tube, Engine Oil Dipstick**

B6754A	58-60, 352.....	21.95
B6754C	61-64.....	21.95
B6754D	65-66.....	21.95



**B6766A**



**B6766C**



**E4410**



**E4415**



**B6766G**



**B6766H**



**B6A868A**

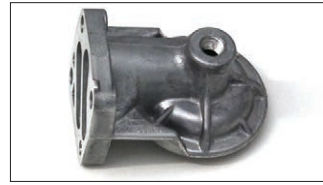
**6766 Cap Assembly, Oil Filler**

B6766A	58-64, black, without spout, push on.....	18.95
B6766B	58-64 chrome, without spout, push on.....	20.50
B6766C	65-66, chrome with spout, push on.....	27.95
B6766E	65-66, chrome, without spout, twist on.....	14.95
B6766G	61-67, black, correct type, with spout, push on.....	16.95
B6766H	61-67, chrome, correct type, with spout, push on.....	22.95
B6766K	68-70, black twist on with "Autolite" script.....	31.95
B6766L	68-70, chrome twist on with "Autolite" script.....	39.95
E4405	Edelbrock chrome breather and grommet.....	13.95

E4410	Edelbrock round cap with nipple.....	13.95
E4415	Edelbrock chrome oil filler cap.....	12.95

**6767 Elbow, Oil Filler Cap**

B6767	67-71.....	13.50
-------	------------	-------



**6881 Oil Filter Housing**

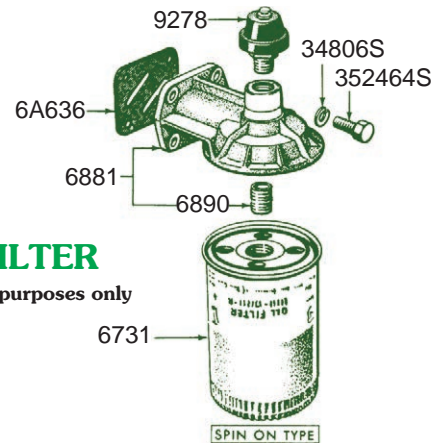
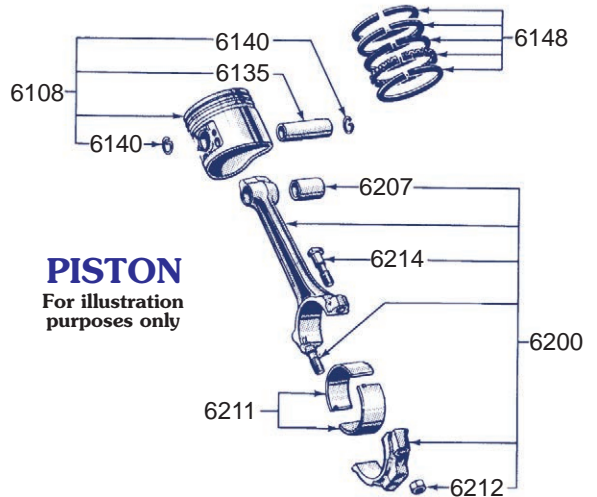
B6881A	58-68, 352/390/428, NOS Ford.....	52.95
--------	-----------------------------------	-------

**6A868 Oil Cap Adapter, Convert from Twist to Push Cap**

B6A868A	65-67.....	14.95
---------	------------	-------

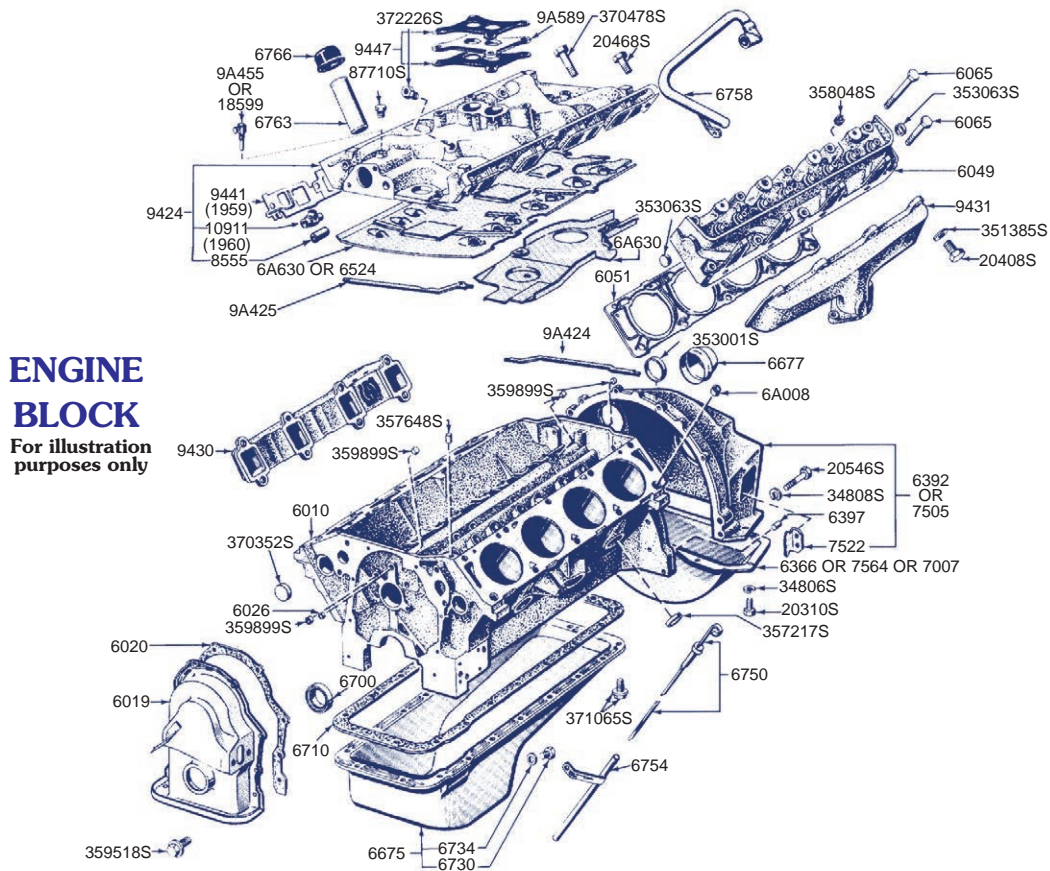
**6A892 Grommet, PCV Valve**

377394S	61-68, 390/428, push-in style.....	5.75
B6A892A	68-71, 429, PCV valve grommet, twist style.....	4.95
6916	Overdrive Solenoid.....	250.00
6916B	12 volt.....	250.00



**ACC5 ZDPP Oil Additive**

An oil supplement that contains very high concentrations of the well known additive ZDDP which has been the primary EP ingredient in all quality motor oils for over 70 years..... **10.95**



**ENGINE BLOCK**  
For illustration purposes only

TRANSMISSION



**7A020 Dipstick, Transmission**

7A020	58-59, 352, before 6/15/59	28.25
B7A020E	61	25.95
B7A020F	62 before 2/22/62	25.95
B7A020G	62-65 after 2/22/62	25.95
B7A020H	66, automatic transmission	25.95
B7A020J	66, C6	25.95

**7A030 Transmission Inlet and Outlet Tubes to Radiator**

B7A030A	58-61, pair	11.95
B7A030ASS	58-61, stainless steel, pair	14.95
B7A030B	62-64, pair	11.95
B7A030BSS	62-64, stainless steel, pair	14.95
B7A030C	64-66, pair	11.95
B7A030CSS	64-66, stainless steel, pair	14.95

**7A032 Cooler Lines, Transmission, Includes 7A030**

B7A032A	58-60, 4 pieces, carbon steel	65.00
B7A032ASS	58-60, 4 pieces, stainless steel	80.00
B7A032B	61, 2 pieces, carbon steel	65.00
B7A032BSS	61, 2 pieces, stainless steel	80.00
B7A032C	62-64, 4 pieces, carbon steel, 90° fitting at radiator	65.00
B7A032CSS	62-64, 4 pieces, stainless steel, 90° fitting at radiator	80.00
B7A032D	64-66, automatic transmission, 4 pieces, carbon steel, 90° tube with inverted flare at radiator	65.00
B7A032DSS	64-66, automatic transmission, 4 pieces, stainless steel, 90° tube with inverted flare at radiator	80.00
B7A032E	66, C6, 4 pieces, carbon steel	65.00
B7A032ESS	66, C6, 4 pieces, stainless steel	80.00

**371612 Transmission Cooler Line Fitting**

371612A	58-60 transmission cooler line fitting, 2 required	4.75
371612B	62-64 transmission cooler line fitting, short	13.95
371612C	62-64 transmission cooler line fitting, long	18.95

**7034 Vent Line, Transmission**

B7034A	61-66, automatic transmission, carbon steel	15.00
B7034ASS	61-66, automatic transmission, stainless steel	20.00
B7034B	66-67, C6, carbon steel	15.00
B7034BSS	66-67, C6, stainless steel	20.00

**7A034 Bushing, Extension Housing**

B7A034A	58-71	9.95
---------	-------	------

**7052 Seal, Extension Housing**

7052B	58-59, standard for 1.499"-1.501" diameter shaft	13.95
B7052B	58-71, standard or automatic transmission, for 1.624"/1.685" diameter shaft	11.50

**7086 Gasket, Extension Housing**

B7086A	66-71, C6	6.95
B7086B	58-66, automatic transmission	8.50

**7B086 Modulator Line, Transmission**

B7B086A	61-66, automatic transmission, carbon steel	29.00
B7B086ASS	61-66, automatic transmission, stainless steel	35.00
B7B086B	66, C6, carbon steel	29.00
B7B086BSS	66, C6, stainless steel	35.00

**7A098 Screen, Transmission Pan**

B7A098B	66-72, C6	12.95
7A098	58-66, Cruise-O-Matic, 352/390	29.95

**7A110 Shifter Pointer**

B7A110E	68-71, fixed column	17.50
---------	---------------------	-------

**7A136 Gasket, Front Pump**

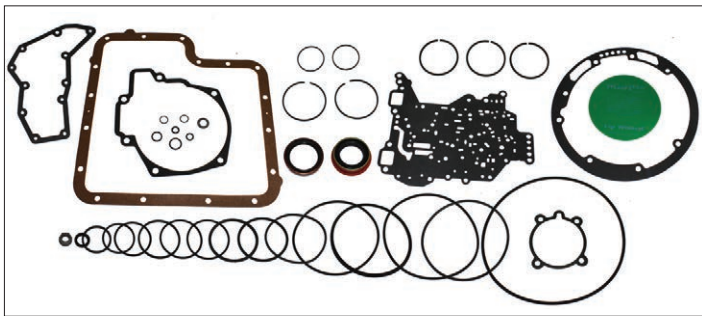
B7A136A	58-66, automatic transmission, pump to case o-ring	2.95
B7A136B	66-72, C6, pump to case gasket	3.75

**7B146 Spring, Kickdown Rod Return**

B7B146B	61-66	4.95
---------	-------	------



**B7153A**



**B7153C**

**7153 Gasket & Seal Kit, Transmission**

- 7153A 58-66 Cruise-O-Matic transmission overhaul kit includes:  
All o-rings, seals, gaskets,  
friction plates, steel clutch plates.....239.95
- 7153B 58-66, as above, includes bands .....345.95
- B7153C 66, C6 gasket set, includes gaskets, o-rings and seals..... 89.95
- B7153D 67-71 C6 overhaul kit includes gaskets, seals, o-rings, clutch plates  
and steel plates, modulator, filter and pump bushing ..... 236.95

•• NOTE •• Band cores must be sent first.

**7A162-7A176 Bands, Transmission**

- 7A162 58-66, front..... 65.95
- 7A176 58-66, rear.....65.95

•• NOTE •• Band cores must be sent first.

**7A187 Transmission Kick Down Rod**

- B7A187C 61-64 ..... 49.95
- B7A187D 65-66, automatic transmission ..... 49.95



**B7A191A**

**7A191**

**B7A191C**

**7A191 Gasket, Transmission Pan**

- B7A191A 66-71, C6 .....8.45
- 7A191 58-66, Cruise-O-Matic transmission, 352/390 .....6.95
- B7A191C 59-60, 430.....14.95

**7A194 Transmission Pan, Chrome**

- B7A194C 66-71, C6 .....44.95



**B7210A**

**7210 Lever, Gear Shift**

- B7210A 58, black with silver, includes 7246 .....37.95
- B7210B 59, white with gold, includes 7246 .....37.95
- B7210C 60, white with silver, includes 7246 .....37.95
- B7210D 61-63 .....49.95
- B7210E 64-66 .....49.95

**7210 Lever, Gear Shift Kit**

- B7210D-KIT 61-63 includes B3517D, B3518B, B7210D, B7A216B,  
357479S .....96.95
- B7210E-KIT 64 includes B3517D, B3518B, B3C773R, B7210E, B7A216C,  
B7347A, 357479S .....97.50
- B7210F-KIT 65-66 B3517D, B3518C, B3C773R, B7210E, B7A216C,  
B7347A, 357479S .....112.00



**B13305A**

**13305 Lever, Turn Signal**

- B13310A 61-62, before 1/18/62, with 10-32  
threaded end, chrome handle ..... 19.95
- B13305A 58, black handle, silver head ..... 19.95
- B13305B 59, white handle, gold head ..... 19.95
- B13305C 60, white handle, silver head ..... 19.95
- B13305D 62-71, after 1/18/62, with 1/4"-28 threaded end..... 19.95

**7213 Knob, Transmission Shift Lever**

- B7213D 67-71 ..... 15.95



**B7A213C**

**7A213 Dial, Transmission Shift**

- B7A213A 58, black background, with horn wire .....50.95
- B7A213B 59, gold background, with horn wire.....50.95
- B7A213C 60, silver background, with horn wire .....50.95
- B7A213E 61, movable .....50.95
- 62-63, all.....25.95
- B7A213F 64-66, automatic transmission and 66 C6.....25.95
- B7A213H 68-69, fixed column.....21.50

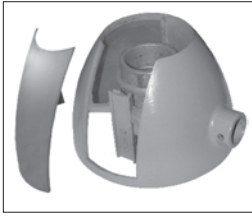


**B7A216C**

**7A216 Shift Detent Plate**

- B7A216A 58-60 .....25.95
- B7A216B 61-63 .....25.95
- B7A216C 64-66 .....16.95

**When replacing your detent plate (7A216) we recommend also replacing 3517 & 3518 steering column bearing and sleeve, 3C773 tapered bushing, 7347 lower column collar and your shift lever #7210. All of these parts work together to keep your car in the correct gear.**



**B7228A**

**7228 Shift Collar**

B7228A	58-60.....	99.95
B7228B	61-63.....	99.95
B7228C	64-66.....	99.95

•• NOTE •• See 3511 for 58-60 column hub

**7A228 Kit, Transmission Fill Tube & Dipstick Assembly**

B7A228K	Correct for 55-60, replacement type 61-66 except C6.....	50.95
---------	--	-------

**7246 Bushing, Shift Lever**

B7246A	58-71.....	2.60
--------	------------	------



**B7228B**



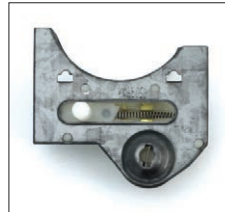
**B7228C**



**B7A247B**

**7A247 Switch, Neutral Safety**

B7A247A	58-60.....	40.95
B7A247B	61-62.....	40.95
B7A247C	64-66, automatic transmission or C6, on steering column.....	72.95
B7A247D	66, C6, on transmission.....	79.95
B7A247E	64-66, automatic transmission, NOS Motorcraft.....	80.00
B7A247F	63.....	40.95



**B7A247C**



**B7A247D**

**7A248 Seal, Torque Converter**

7A248	58-66, automatic transmission front pump seal.....	11.95
B7A248B	66-71, C6, pump to case o-ring.....	5.95
B7A248C	66-71, C6, front pump seal.....	7.95

**7302 Shift Tube Selector Arm**

B7302A	58-60.....	29.95
--------	------------	-------

**7343 Bushing, Shift Control Selector Arm**

B7343A	61-66.....	14.95
--------	------------	-------

**7347 Collar, Lower Steering Column**

B7347A	64-66.....	10.95
--------	------------	-------

**7A377 Valve, Vacuum Modulator**

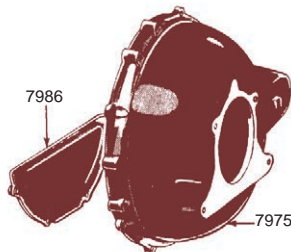
B7A377A	66-71, C6.....	30.95
B7A377B	61-66, automatic transmission.....	34.95



**7C431 Bracket, Throttle Stop**

B7C431	65-66, automatic transmission.....	29.95
--------	------------------------------------	-------

•• NOTE •• See B9B853A For 61-64, B9A853B for 66 with C6



**BELL HOUSING AND INSPECTION PLATE**

For illustration purposes only

**7B498 Seal, Manual Control Lever**

B7B498A	58-72, for automatic transmission.....	2.95
	66-71, C6.....	0.95
77265S	58-72, throttle shaft o-ring.....	0.95

**7513 Boot, Clutch Release Lever Dust**

7513	58-60, black as original.....	24.95
------	-------------------------------	-------



**7517 Bushing, Clutch Equalizer Shaft**

7517	58-60, pair.....	6.95
------	------------------	------

**7522 Bracket, Clutch Release Lever**

B7522A	58-60.....	20.70
--------	------------	-------

**7550 Clutch Disc 11"**

7550X	58-60, rebuilt.....	120.00
7550T	Alignment tool.....	7.95

•• CORE •• Core must be sent first.

**7562 Spring, Clutch Release Anti-Rattle**

7562	58-60.....	4.95
------	------------	------

**7563 Clutch Pressure Plate**

7563	56-60, new.....	154.95
7563X	56-60, rebuilt exchange.....	148.98

•• CORE •• Core must be sent first.

**7580 Bearing, Clutch Release**

7580	58-60.....	44.95
------	------------	-------

**7583 Bumper, Brake Pedal**

7583	58-60, brake and clutch.....	2.00
	61-66, brake.....	2.00

**7600 Bearing, Pilot**

B7600A	58-60.....	10.95
--------	------------	-------

**7A650 Overdrive Cable**

7A650	58-60, Replacement - cut to fit.....	51.95
-------	--------------------------------------	-------

**7A651 Overdrive Solenoid**

7A651B	12 volt.....	150.50
--------	--------------	--------

**7693 Seal, Overdrive Solenoid**

7693	58-59.....	9.50
------	------------	------



**7980 Cover, Lower Bell Housing**

7980	58-62.....	26.95
------	------------	-------

**7902 Torque Converter, Rebuilt**

B7902X	58-66, Cruise-O-Matic 352/390, rebuilt exchange.....	225.00
B7902CX	66-76, C6, rebuilt exchange.....	179.95

•• CORE •• Core must be sent first.



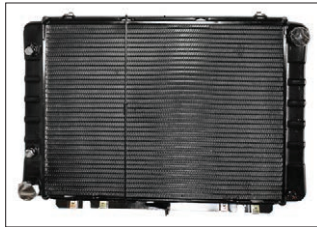
**7986 Shield, Bell Housing Inspection Plate**

B7986A	58-62, 352/390.....	20.95
B7986C	63-68, 390/428.....	20.95

**7989 Gasket, Bell Housing Inspection Shield**

B7989	58-68, 352/390/428, 2 required.....	1.99
-------	-------------------------------------	------





**8005 Radiator**

B8005A	58-60	565.00
B8005B	61	444.95
B8005C	62-63	444.95
B8005D	early 64, 90° brass fitting, 17" tall core	444.95
B8005E	64-66, 90°, has inverted flare, 17" tall core	444.95
B8005F	66, with 19" tall core	444.95
B8005G	67-69, high efficiency 4 row core	584.00
B8005H	70, high efficiency 4 row core	872.50
B8005I	71, high efficiency 4 row core	872.50
B8005J	72-76, high efficiency 4 row core	981.25

**371612 Fitting, Transmission Cooler Line**

371612A	58-60, 2 required	4.75
371612B	62-64, short, 1 required	13.95
371612C	62-64, long, 1 required	18.95



**B8A080A**



**B8A080B**



**B8A080C**

**8A080 Surge Tank with Gasket**

B8A080AK	58-60, 352 only	224.95
B8A080BK	61-64	224.95
B8A080CK	65-66	224.95
B8A080DK	59-60, 430 only	224.95

**8B093 Seal, Radiator Support to Hood**

B8B093R	62-63	7.75
---------	-------	------

**8100 Cap, Radiator**

8100	58-71, 12-15 lb., zinc	17.95
B8100C	65-71, 13 lb., zinc, lever release	36.75
B8100D	65-71, 7 lb., zinc, lever release	15.00

**8115 Draincock, Radiator**

8115	58-71	6.95
------	-------	------

**8125 Radiator Mounting Rubber, Lower & Upper**

B8125C	67-71, RH	5.95
B8125D	67-71, LH	5.95

**8146 Shroud, Fan**

B8146A	66, with 19" high radiator core	199.95
B8146B	66, with 17" high radiator core	199.95

•• NOTE •• See B8626 for clip, 2 required

B8146C	67-69, 20"	189.95
--------	------------	--------

**8147 Shroud, Fan**

B8147A	58-60	215.00
B8147B	61-65, 2 pieces	109.95
359952S	61-65, retainer nut, 3 required	2.00



**8A150-8A151-8164 Grill Bar**

B8666K	60, Kit, contains horizontal bar, 3 vertical bars and clips	195.00
--------	---	--------



**8213 Grill Emblem**

B8213A	66, complete grill Thunderbird	139.95
--------	--------------------------------	--------



**B8243R**



**B8242R**

**8242-8243 Molding, Grill Corner/Headlight Bucket**

B8242R	66, RH	60.95
B8243R	66, LH	60.95

**STOP!!!**

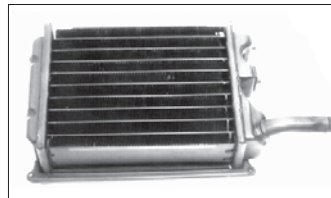
When you replace your radiator it is **HIGHLY** recommended that you inspect, clean and/or replace the following parts:

- 8A080** Surge tank
- 8100** Radiator cap
- 8260** Upper radiator hose
- 8286** Lower radiator hose
- 8501** Water pump
- 8575** Thermostat
- 18472** Heater hoses
- 18476** Heater core – this “small” radiator is notorious for storing contaminants

Assuming you have replaced all the worn parts, **NOW** is the time to flush your engine block to remove any remaining contaminants or rusty particles.

**18472 Heater Hose, Black**

18472	58-72, 5/8", per foot	2.25
B18472F	61-72, 3/4", per foot	2.25



**B18476B**

**18476 Heater Core, New**

B18476A	58-60, 1 pipe with 3 tabs	183.50
B18476B	61-62, 1 pipe with 2 studs	149.95
B18476E	Late 62-63, 1 pipe with 3 studs	149.95
B18476C	64-66, without air conditioning, 2 long pipes	149.95
B18476D	64-66, with air conditioning, 2 short pipes	149.95
B18476F	67	149.95
B18476G	68-71	149.95

•• NOTE •• For core to valve seal see B19460A

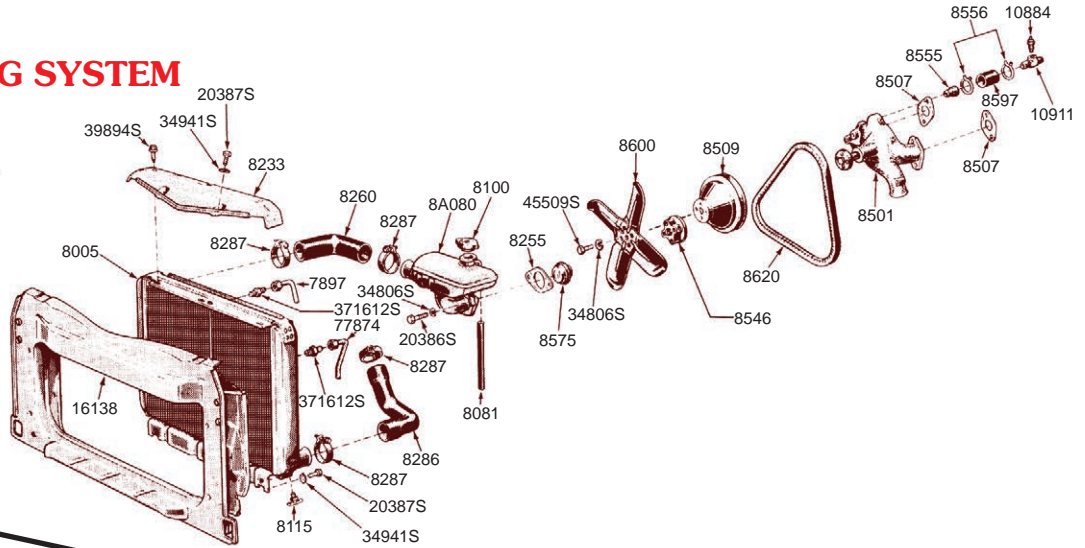
•• NOTE •• For water control valve see 18495



**B18476D**

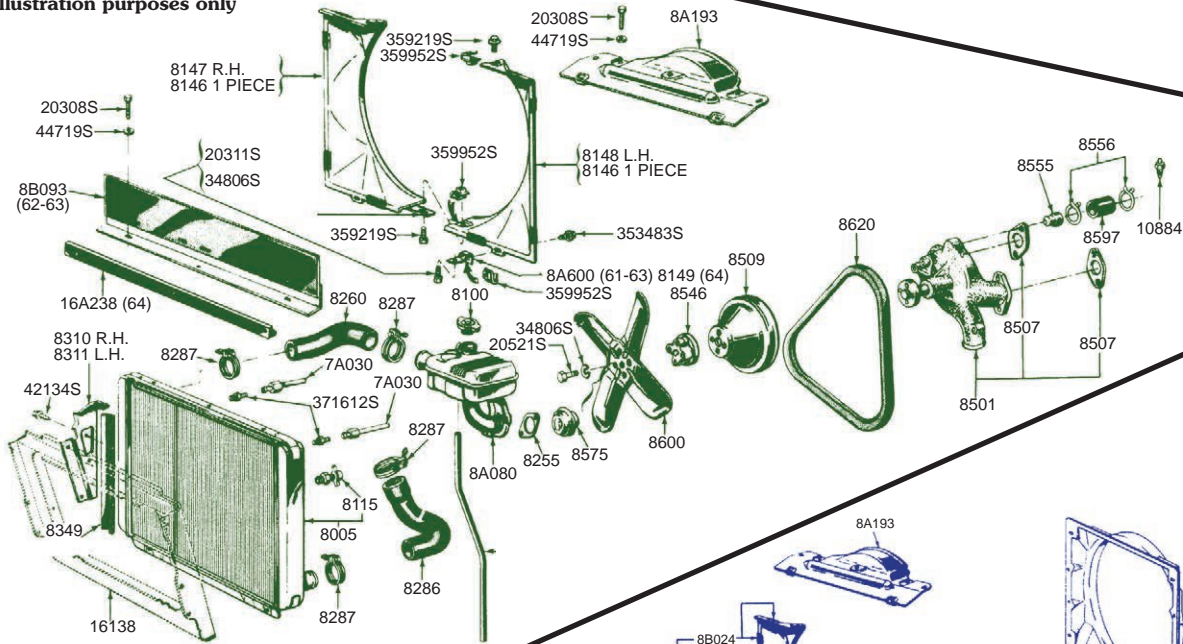
**1958-60 COOLING SYSTEM**

For illustration purposes only



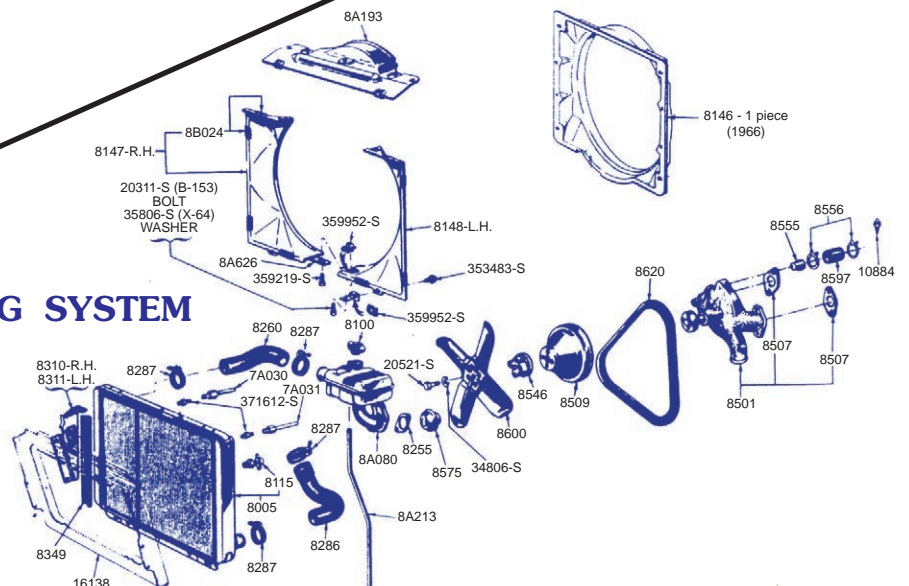
**1961-63 COOLING SYSTEM**

For illustration purposes only



**1964-66 COOLING SYSTEM**

For illustration purposes only



**8255 Gasket, Thermostat Housing**

B8255A	58-66, 352/390/428	2.25
B8255B	59-60, 430	2.15
B8255C	67-72	2.20



**8259 Ornament, Nose Panel**

B8259A	58-59, also Continental kit	33.50
B8259B	60	40.95



**8260 Hose, Radiator Upper**

B8260L	67-68, 390/428	23.95
B8260P	68-69, 429	23.95
B8260Q	70, 429	23.95
B8260R	71-73, 429/460	23.95
B8260S	72, 400	23.95

**8260 Hose, Radiator Upper, with FoMoCo Script**

B8260E	58-60, 352	23.95
B8260F	59-60, 430	23.95
B8260G	61-63	23.95
B8260H	64-65	23.95
B8260J	66 with 17" radiator	23.95
B8260K	66 with 19" radiator	23.95

**8286 Hose, Radiator Lower**

B8286M	58-60, flex type	6.95
B8286L	67, 390/428	28.95
B8286P	68-69, 429	23.95
B8286Q	70, 429	23.95
B8286R	71-76, 429/460	23.95
B8286S	72, 400	23.95

**8286 Hose, Radiator Lower, with FoMoCo Script**

B8286E	58-60, 352	23.95
B8286F	59-60, 430	23.95
B8286G	61-63	23.95
B8286H	64-65	23.95
B8286J	66	23.95

**8287 Clamp, Radiator Hose & Drain Tubes**

B8287A	58-71, 5/8" to 1 1/4", worm type	1.25
B8287B	58-71, 1" to 1 1/2", worm type	1.25
B8287C	58-71, 1 3/16" to 1 3/4", worm type	1.25
B8287D	58-71, 1 15/16" to 2 1/4", worm type	1.25
B8287F	61-66, front drain tubes, pair	20.95
B8287K	61-66, "Tower style" hose clamps, 10 piece set	29.95

**8348/9 Seal, Radiator Side**

B8348-9	64-66, pair	9.95
---------	-------------	------

**8A500 Cap, Water Pump Housing**

B8A500A	60-61	1.65
---------	-------	------



**E8805**

**8501 Water Pump, New and Rebuilt, Exchange**

B8501A	58-60, 352, new	129.95
B8501AX	58-60, 352, rebuilt	189.95
B8501DX	59-60, 430, rebuilt	299.95
B8501B	61-64, 390, new	99.95
B8501C	65-68, 390/428, new	82.50
B8501CH	65-68, 390/428, heavy duty	149.95
B8501E	68-69, 429, new	174.95
E8805	65-68, Edelbrock, 390/428 only, aluminum	350.95
E8835	65-68, Edelbrock, 390/428 only, polished	422.95

•• CORE •• Core must be sent first.

**8507 Gasket, Water Pump**

B8507A	58-71, 352/390/428, 2 required	2.00
B8507B	59-60, 430, 2 required	1.95

**8513 Gasket, Water Pump Cover**

B8513A	62-71 390/428	4.00
--------	---------------	------

**8546 Spacer, Pulley to Fan**

8546	61-63, without air conditioning, 1.28"	13.95
------	--	-------

**8555 Tube, Water Bypass**

B8555A	58-71, 352/390/428	2.95
--------	--------------------	------

**8575 Thermostat in Surge Tank or Housing**

8575B	58-66, 180°	12.95
8575D	58-66, 192°	9.95
8575A	58-66, 160°	10.95
8575C	58-66, 170°, "high flow"	22.95
B8575F	67-71, 160°	8.25
B8575G	67-71, 180°	8.25
B8575H	67-71, 195°	8.25

**8592 Thermostat Housing**

B8592A	67	18.95
B8592B	68, 390	18.95
B8592C	68-70, 429	18.95

**8597 Hose, Water By-Pass**

B8597D	58-66, 352/390/428	3.15
--------	--------------------	------



**8600B**

**8600 Fan Blade**

8600B	58-60, 6 blade	60.00
B8600C	61-66, 6 bladed 18" fan to use with fan clutch	69.95

**8A616 Fan Clutch**

B8A616A	64-66	39.95
B8A616B	61-63	69.95
B8A616C	67-71	69.95

•• NOTE •• For replacement sleeve fan clutch to water pump, see B6A008A

**8620 Belts**

B8620A	Fan and generator, without air conditioning	15.95
B8620B	Power steering, roll type, without air conditioning	15.95
B8620C	Power steering, all	13.95
B8620D	Fan and generator, with air conditioning	13.95
B8620E	Air conditioning compressor	15.95

**1958, 352**

B8620A	Fan and generator, without air conditioning	15.95
B8620C	Power steering, all	13.95
B8620D	Fan and generator, with air conditioning	13.95
B8620E	Air conditioning compressor	15.95

**1959, 352**

B8620A	Fan and generator, without air conditioning	15.95
B8620C	Power steering, all	13.95
B8620D	Fan and generator, with air conditioning	13.95
B8620E	Air conditioning compressor	15.95

**1959, 430**

B8620D	Fan and generator, all	13.95
B8620F	Power steering, without air conditioning	19.95
B8620G	Air conditioning compressor	15.95

**1960, 352**

B8620A	Fan and generator, without air conditioning	15.95
B8620H	Power steering, without air conditioning	13.95
B8620D	Fan and generator, with air conditioning	13.95
B8620J	Power steering, with air conditioning	15.95
B8620K	Air conditioning compressor	15.95

**1960, 430**

B8620D	Fan and generator, all	13.95
B8620F	Power steering, without air conditioning	19.95
B8620G	Air conditioning compressor	15.95

**1961-62, 390**

B8620D	Fan and generator, without air conditioning	13.95
B8620L	Power steering, without air conditioning	15.95
B8620M	Fan and alternator and generator, with air conditioning	18.95
B8620F	Power steering, with air conditioning	19.95
B8620N	Air conditioning compressor	19.95

<b>1963, 390</b>	
B8620D	Fan and alternator, without air conditioning ..... 13.95
B8620L	Power steering, without air conditioning..... 15.95
B8620M	Fan and 40, 60 amp alternator, without air conditioning ..... 18.95
B8620B	Fan and alternator, with air conditioning ..... 15.95
B8620F	Power steering, with air conditioning..... 19.95
B8620N	Air conditioning compressor ..... 19.95
<b>1964, 390</b>	
B8620D	Fan and alternator, without air conditioning ..... 13.95
B8620L	Power steering, without air conditioning..... 15.95
B8620Q	Power steering, with air conditioning..... 13.95
B8620R	Air conditioning compressor ..... 18.95
<b>1965, 390</b>	
B8620A	Fan and alternator, without air conditioning ..... 15.95
B8620S	Power steering, 46" belt, without air conditioning ..... 18.95
B8620D	Fan and alternator, with air conditioning ..... 13.95
B8620T	Power steering, with air conditioning..... 19.95
B8620U	Air conditioning compressor ..... 19.95
<b>1966, 390-428</b>	
B8620A	Fan and alternator, without smog pump without air conditioning ..... 15.95
B8620S	Power steering, without air conditioning..... 18.95
B8620M	Fan and alternator, with air conditioning ..... 18.95
B8620T	Power steering, with air conditioning..... 19.95
B8620U	Air conditioning compressor ..... 19.95
B8620M	Fan & alternator, with smog pump, without air conditioning ..... 18.95
B8620W	Air pump, without air conditioning..... 15.95
B8620X	Air conditioning compressor and air pump..... 21.95

<b>1967</b>	
B8620-7B	Alternator, without air conditioning, with smog pump, 2 required..... 13.95
B8620-7C	Power steering, with air conditioning..... 16.95
B8620-7E	Smog pump, with air conditioning ..... 13.95
B8620-7D	Power steering, with air conditioning..... 14.95
B8620-7F	Smog pump with air conditioning ..... 21.95
B8620-7G	Air conditioning compressor ..... 19.95
<b>1968</b>	
B8620-7A	Alternator without air conditioning, without smog pump ..... 13.95
B8620-7H	Alternator, 390 ..... 13.95
B8620-7D	Power steering, with air conditioning..... 14.95
B8620D	Alternator without air conditioning, 429..... 13.95
B8620-7I	Alternator with air conditioning, 429..... 15.95
B8620-7G	Air conditioning compressor ..... 19.95
B8620L	Power steering, 429 ..... 15.95
<b>1969</b>	
B8620M	Alternator with air conditioning..... 18.95
B8620D	Alternator without air conditioning ..... 13.95
B8620-7I	Air conditioning compressor ..... 15.95
B8620L	Power steering ..... 15.95
<b>8626 Fan Shroud Clip</b>	
B8626B	66 ..... 2.95
<b>8666 Bar, Center grill</b>	
B8666K	60, Sold as kit, contains center bar, 3 vertical bars and clips (see B8A150) ..... 195.00
<b>8678 Air Conditioning Idler Pulley</b>	
B8678C	65/69 ..... 57.50
B8678D	64/66 RH idler pulley assembly ..... 69.95

## FUEL SYSTEM

<b>9002 Fuel Tank, includes gasket and lock rings</b>	
B9002A	58-60 ..... 269.00
B9002B	61, before 7/1/61 ..... 269.00
B9002C	62-63, after 7/1/61..... 269.00
B9002D	64-66 ..... 269.00
B9002E	67-70 ..... 395.95
B9002G	72-73 ..... 349.95



**B9008A**

<b>9008 Fuel Tank Neck to Trunk Floor Seal</b>	
B9008A	67-71 ..... 18.95
<b>9A010 Bolt, Fuel Tank Strap</b>	
B9A010AK	58-60, bolts, nut and washers, set..... 14.95
B9A010BK	61-63, bolts, nut and washers, set..... 21.95
B9A010CK	64-66, bolts, nut and washers, set..... 15.95
<b>9A011 Filter, Fuel Tank Sender</b>	
B9A011A	61-72, 8/3" x 2 1/2" ..... 8.95
B9A011B	61-72, 5/16" x 2" ..... 8.95



**B9030A**



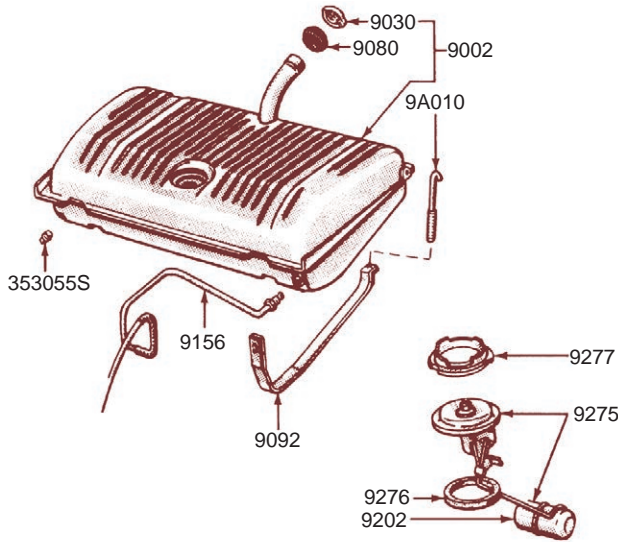
**B9030C**



**9030L**

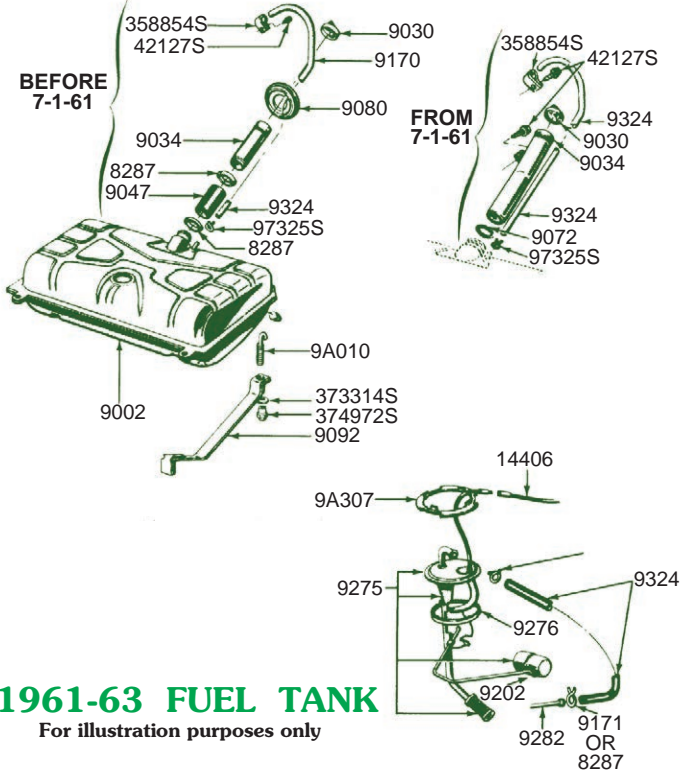
<b>9030 Gas Cap</b>	
9030	58-60 ..... 6.95
B9030B	61-69 ..... 7.00
B9030C	61-69, locking ..... 14.95
9030L	58-60, locking, chrome ..... 14.95
<b>9034 Fuel Neck</b>	
B9034C	62-63 ..... 79.95
B9034D	64-66 ..... 99.95

<b>9047 Hose, Fuel Neck Filler</b>	
B9047B	61 ..... 15.95
<b>9072 O-ring, Fuel Tank Filler Neck to Tank</b>	
B9072A	62-66 ..... 2.50
B9072B	67-71 ..... 21.25
<b>9076 Seal, Gas Tank Filler Neck to Quarter Panel</b>	
B9076B	67-71 ..... 5.95
B9076C	64-66 ..... 5.95
<b>9080 Grommet, Fuel Tank Filler Neck</b>	
9080	58-60 ..... 8.00
<b>9092 Strap, Fuel Tank</b>	
B9092A	58-60, pair ..... 29.95
B9092B	61-63, pair ..... 29.95
B9092C	64-66, pair ..... 29.95
<b>9155 Filter, Fuel</b>	
9155	58-59, 352 ..... 29.95
B9155B	61-72, in line ..... 8.50
B9155C	59-60 430, 60 352 requires B9A520B ..... 16.95
<b>9156 Fuel Lines, Carburetor to Fuel Pump</b>	
B9156A	58-59, 352, 1 piece, carbon steel..... 29.95
B9156ASS	58-59, 352, 1 piece, stainless steel..... 32.95
B9156B	61, 2 pieces, carbon steel..... 29.95
B9156BSS	61, 2 pieces, stainless steel..... 32.95
B9156C	62-63, 1 piece, carbon steel..... 29.95
B9156CSS	62-63, 1 piece, stainless steel..... 32.95
B9156D	64, 1 piece, carbon steel ..... 29.95
B9156DSS	64, 1 piece, stainless steel..... 32.95
B9156E	65, 390, 1 piece, carbon steel..... 29.95
B9156ESS	65, 390, 1 piece, stainless steel..... 32.95
B9156F	66, 1 piece, carbon steel ..... 20.00
B9156FSS	66, 1 piece, stainless steel..... 25.00
<b>9156 Vacuum Line, Fuel Pump</b>	
B9156AV	58-60 Pump to manifold, 1 piece, carbon steel..... 12.00
B9156AVSS	58-60, Pump to manifold, 1 piece, stainless steel ..... 16.00
B9156BV	58-60, Pump to wiper motor, 1 piece, carbon steel . 16.00
B9156BVSS	58-60, Pump to wiper motor, 1 piece, stainless steel 22.00



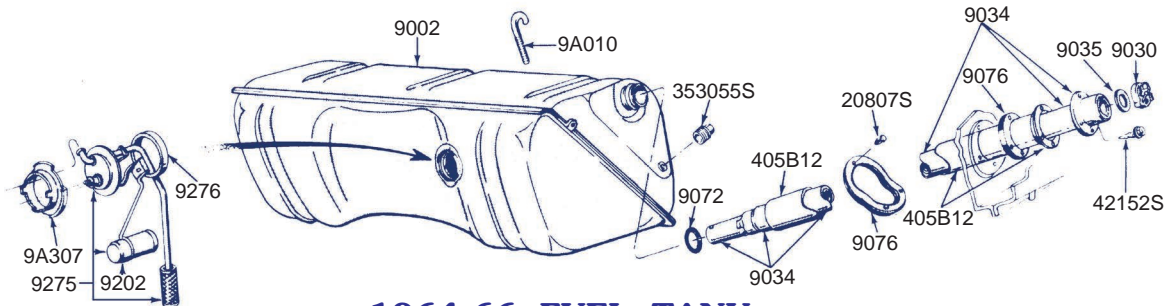
**1958-60 FUEL TANK**

For illustration purposes only



**1961-63 FUEL TANK**

For illustration purposes only



**1964-66 FUEL TANK**

For illustration purposes only

**9156 Fuel Line, to Gas Tank**

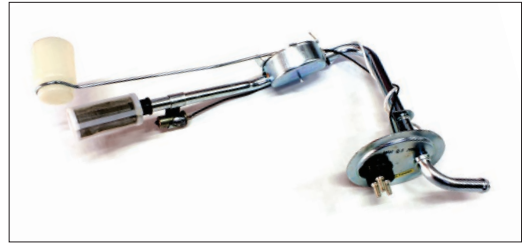
B9156FAR	58-60, 1 piece, carbon steel .....	70.00
B9156FARSS	58-60, 1 piece, stainless steel .....	93.50
•• NOTE •• See B04178/80 for fuel line supports		
B9156FBR	61, early 62, 2 pieces, carbon steel, 5/16" .....	70.00
B9156FBRSS	61, early 62, 2 pieces, stainless steel, 5/16" .....	93.50
B9156FCR	62-63, 2 pieces, carbon steel, 3/8" .....	70.00
B9156FCRSS	62-63, 2 pieces, stainless steel, 3/8" .....	93.50
B9156FER	64, 2 pieces, carbon steel .....	70.00
B9156FERSS	64, 2 pieces, stainless steel .....	93.50
B9156FFR	65-66, 2 pieces, carbon steel .....	70.00
B9156FFRSS	65-66, 2 pieces, stainless steel .....	93.50
•• NOTE •• Due to size, fuel lines incur actual shipping.		

**9180 Bracket Assembly, Fuel Filter**

9180K	58-59, 352, includes clip .....	9.25
-------	---------------------------------	------

**9202 Float, Fuel Tank Sender**

9202B	58-72 .....	6.95
-------	-------------	------



**9275 Sender, Fuel Tank, Includes Gasket and Float**

B9275A	58-60 .....	65.95
B9275B	61-63 .....	74.50
B9275C	64-66, without low fuel warning, 2 wire .....	84.95
B9275D	64-66, with low fuel warning, 3 wire .....	94.95
B9275E	67-71 without fuel warning, 2 wire .....	99.95
B9275F	67/71 with fuel warning, 3 wire .....	114.95

**9276 Gasket, Fuel Tank Sender**

B9276A	61-72 .....	1.20
9276B	58-60 .....	1.75

**9277 Lock Ring, Fuel Tank Sending Unit**

9277	58-60 .....	9.95
------	-------------	------

•• NOTE •• See also 9A307 for 1961-1972

**9278 Sender, Oil Pressure**

B9278A	64-71 .....	25.95
9278	58-63 .....	11.50

**9D280 Fuel Log**

B9D280	62-63, 3-2 barrel carburetor set-up .....	84.95
--------	---	-------

**9B281 Clip, Fuel Filter Bracket**

9B281	58-59, 352 .....	1.65
-------	------------------	------

**9288 Flex Line, Fuel Pump to Fuel Tank Line**

9288E	58-60, 352 .....	9.50
-------	------------------	------

**9A307 Lock Ring, Fuel Tank Sending Unit**

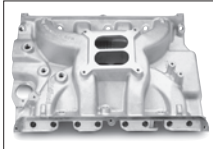
B9A307B	61-72 .....	9.95
---------	-------------	------

•• NOTE •• See also 9277 for 1958-1960



**B9350B**

<b>9350 Pump Assembly, Fuel</b>		
B9350A	62-64	66.95
B9350B	65-66	39.95
B9350C	61	79.95
B9350D	58, 352 with vacuum wipers	125.00
B9350E	59, 352 with vacuum wipers	125.00
B9350F	60, 352 with vacuum wipers	125.00
B9350G	59-60, 430 with vacuum wipers off oil pump	99.95
B9350H	67-68, 390/428	39.95
B9350I	68-69, 429	39.95
<b>9355 Bowl, Fuel Pump</b>		
B9355A	62-66	14.95
<b>9364 Gasket, Fuel Pump Filter Bowl</b>		
B9364B	62-66	1.50
9364	58-59, 352	1.75
<b>9365 Filter, Fuel Pump</b>		
B9365A	62-66	8.50
9365	58-59	9.50
<b>9417 Gasket, Fuel Pump</b>		
9350A	58-71	1.05



**E2105**



**E1405**

<b>9424 Edelbrock Intake Manifolds</b>		
E2105	58-68 352/390/428 Aluminum intake, Performer	483.95
E7105	58-68 352/390/428 Aluminum intake, Performer RPM, high performance	551.95
E2166	67-69, 429 Aluminum intake, Performer	366.95
E7166	67-69, 429 Aluminum intake, Performer RPM, high performance	403.95
E8507	Bolt kit to install 7105 manifold	39.95
E8508	Bolt kit to install 2105	40.95
E8569	69-72 intake bolt kit, 429	48.95
<b>9A427 Valve, Heat Riser</b>		
B9A427AS	58-61, spacer only	28.95
B9A427DS	66, 390 spacer only	40.95
B9A427A	58-61, valve	85.95
B9A427D	66, 390 valve	85.95



<b>9430 Exhaust Manifold, RH</b>		
B9430A	58-60, 352, flat flange, casting # 5751204	285.00
B9430B	59-60, 430, flat flange, casting # B9ME-9430-A	285.00
B9430C	61-62, 390, flat flange, casting # C1SE-9430-B	285.00
B9430D	63-64, 390, tapered flange, casting # C3SE-9430-B	285.00
B9430E	65, 390, tapered flange, casting # C5SE-9430-C	285.00
B9430F	66-67, 428, tapered flange, casting # C6AE-9430-A	285.00
B9430G	66-67, 390, flat flange, casting # C6AE-9430-A	285.00
<b>9431 Exhaust Manifold, LH</b>		
B9431A	58-60, 352, flat flange, casting # 5750730	285.00
B9431B	59-60, 430, flat flange, casting # B9EL-9431-A	285.00
B9431C	61-62, 390, flat flange, casting # C1SE-9431-B	285.00
B9431D	63-67, 390/428, tapered flange, # C3SE-9431-B	285.00



**9431 Exhaust Headers**

B9431BN	61-66, 390/428, bare, pair	495.00
B9431BC	61-66, 390/428, ceramic, silver, pair	695.00

•• NOTE •• No further discounts apply.

**9432 Gasket, Exhaust Manifold**

B9432A	59-60, 430, pair	21.95
B9432B	68-72, 429, pair	17.95
B9432C	58-68, 352/390/428, pair	19.95

**9433 Gasket Set, Intake Manifold**

B9433A	59-60, 430	11.95
B9433G	58-70, 352/390/428	19.95
B9433H	69-78, 429/460	43.95

**9B445 Air Injection Tubes**

B9B445A	66, 390, pair	79.90
---------	---------------	-------

**9447 Gasket, Carburetor**

9447B	58-60, 352, 4 barrel, and 61 carb to intake	
	61-65, 390, 4 barrel, carb to spacer, and 66 spacer to intake	2.50
	62-63, 3-2 barrel, carb to spacer, and spacer to intake	2.25
B9447D	62-65, 390, 4 barrel, spacer to intake	6.25
B9447E	66, 390/428, 4 barrel, carb to spacer, spacer to intake, 67/71 spacer to intake	3.25

**9A447 Bolt Locks, Exhaust manifold**

B9A447A	58-66, 15 required	0.99
B9A447B	58-62, with long tab, 352/390, 1 required	1.75
B9A447AK	58-62, RH, 352/390, 8 pieces	10.25
B9A447BK	58-66 LH, 63-66 RH, 59-60 RH 430, 8 pieces	10.50
B9A447CK	58-62, both sides, 352/390, 16 pieces	16.95
B9A447DK	63-66 / 59-60, 430, both sides, 16 pieces	16.95

**9448 Heat Shield/Gasket, Exhaust Manifold to Head**

B9448E	61-68, 390/428, pair	21.95
--------	----------------------	-------

**9450 Gasket, Exhaust Flange**

9450	58-67, flat type, 352/390/428	2.75
B9450B	59-60, 430	5.95
B9450C	63, 390, single exhaust, 2 piece pipe	6.95
B9450D	63-67, 390/428, donut type	4.50



**9A455 Y-Fitting, Heater Hose, At Intake Manifold**

B9A455A	62-63 all, 64-66 with A/C	35.95
---------	---------------------------	-------

**9B471 Nut and Ferrell Assembly**

B9B471A	66-67, 8 required	49.95
---------	-------------------	-------

**9A487 Check Valve**

B9A487A	66-67, 2 required	64.95
---------	-------------------	-------

**9A496 Filter, Smog Pump**

B9A496A	66-67	9.95
---------	-------	------

**9510 Edelbrock Carburetors**

•• NOTE •• For 67-72 applications must use E1483/E1844 lever kit & E1495/E1848 cable plates.

E1405	Carburetor, 600 CFM, manual choke	363.95
E1406	Carburetor, 600 CFM, electric choke	395.95
E14064	Carburetor, Performer series, 600 CFM, electric choke with endurashine finish	595.95
E1411	Carburetor, 750 CFM, electric choke	456.95
E1806	Carburetor, Thunder series, 650 CFM, electric choke	411.47
E1906	Carburetor, 650 CFM AVS2 series, electric choke	412.95

**Edelbrock Carburetor Related Parts**

E1425	High altitude jets	11.95
E1453	High altitude needles	18.95
E1464	Spring assortment, 5 pair	13.95

**See page 203 for hardware kits.**

**9510 Edelbrock Carburetor Related Parts (continued)**

E1466	Needle and seat .110, 2 each, high flow .....	20.95
E1469	Float with hinge pin, 2 each .....	19.95
E1478	Electric choke kit .....	84.95
E1479	Calibration kit (jets & rods) for 1405 carburetor .....	83.95
E1480	Calibration kit (jets & rods) HP for 1411 carburetor .....	81.95
E1483	Throttle lever kit, C6, gold .....	34.95
E1487	Calibration kit (jets & rods) for 1406/14064 carburetors .....	57.95
E1489	Calibration kit (jets & rods) for 1411 carburetor .....	66.95
E1495	Throttle cable plates, gold .....	21.95
E1496	Idle mixture screw set .....	14.95
E1840	Calibration kit (jets & rods) for 1806 carburetor .....	75.95
E1844	Throttle lever kit, C6, black .....	34.95
E1848	Throttle cable plates, black .....	32.95
E1982	Accelerator pump assembly for all listed carburetors .....	39.95
E2732	Standard flange carburetor plate .....	15.95
E8005	Universal throttle return kit .....	18.95
E8008	1 <sup>5</sup> / <sub>16</sub> " x 1 <sup>3</sup> / <sub>8</sub> " stud kit .....	12.95
E8016	1/4" ball end stud .....	11.95
E8024	5/16" x 1 <sup>3</sup> / <sub>4</sub> " stud kit .....	17.95
E8087	Carburetor inlet fitting for hardline hookup .....	19.95
E8089	3/8" banjo fuel fitting .....	17.95
E8090	Adapter inverted flare .....	18.95
E8126	Chromed steel fuel line for all Edelbrock carburetors .....	31.95
E8190	High performance fuel regulator .....	129.95
E9265	Square bore heat insulator .....	28.95
E9266	Divided heat insulator .....	27.95



**9503 Secondary Throttle Diaphragm**

9503B	58-59, Holley 4 barrel .....	16.95
B9503C	58-66, Ford 4 barrel .....	19.95

**9510 Carburetor**

9510D	58-60, Holley 4 barrel, 465 CFM .....	595.00
B9510BX	61-66, rebuilt Autolite .....	395.95
B9510CX	67-71, rebuilt Autolite .....	399.95

•• CORE •• Core must be sent first.

**9A520 Inlet Fitting, Carburetor, Autolite**

B9A520B	60, 352, fuel filter, brass, use with 9155C .....	12.95
9A520	58-59 / 61-66 .....	12.95

**9524 Carburetor Spacer to Manifold Coolant Tube**

B9524B	64-65 .....	22.95
--------	-------------	-------

**9B549 Universal Dash Pot**

9B549	58-71 .....	39.95
-------	-------------	-------

**9B550 Bracket, Dash Pot**

B9B550A	58-66, Ford carburetor .....	12.95
9B550B	58-66, Holley carburetor .....	20.95
43252S	Bracket screw, 2 required .....	0.50

**9A565 Power Valve, Carburetor**

B9A565A	58-60, Holley carburetor .....	13.95
---------	--------------------------------	-------

**9F577 Cam, Fast Idle - Overtravel Lever**

B9F577A	58-66 Dogleg, Ford carburetor .....	19.95
B9F577B	58-66, Straight, Ford carburetor .....	12.95

**9A586 Tune Up Kit, Carburetor**

B9A586A	66-71, Autolite 4300 4 barrel, 428/429 .....	35.95
B9A586D	58-66, Ford 4 barrel, 352/390/428 .....	49.95
B9A586E	58-66, Holley 4 barrel .....	44.50
B9A586F	62-63, 2 barrel, 3-2 set up, 3 required .....	26.95
B9A586G	59-60, 430, Carter AFB .....	37.95

•• NOTE •• For diaphragms see 9503

**9A589 Spacer, Carburetor**

B9A589A	58-60, 352, and 61, 390 .....	59.95
B9A589F	66, 390/428 .....	59.95



**E1221**

**9600 Chrome Edelbrock Air Cleaner**

E1221	Pro-Flo, deep flange .....	39.95
-------	----------------------------	-------

**9600B Wing Nut, Air Cleaner**

9600B57	61-66, air cleaner wing nut .....	2.00
9600BRC57	61-66, chrome air cleaner wing nut .....	3.00

**9601 Air Filter**

9601	67 .....	16.95
B9601A	58-60 .....	20.95
B9601B	61-63, except 3-2 barrel carburetor .....	20.95
B9601C	64 .....	17.50
B9601D	62-63, 3-2 barrel carburetor .....	32.00
B9601E	65-66 .....	17.95
B9601F	66, 2 <sup>1</sup> / <sub>4</sub> " x 11 <sup>1</sup> / <sub>4</sub> " x 1 <sup>3</sup> / <sub>4</sub> " .....	11.95
B9601G	68-71 .....	14.95

**9654 Gasket, Air Cleaner to Carburetor**

9654	58-64, before 2/25/64, except 3-2 barrel carburetors .....	2.65
B9654C	64-71, from 2/25/64 .....	2.85

**9700 Linkage Rod Kit**

B9700K	62-63, 3-2 barrel carburetor .....	69.95
--------	------------------------------------	-------

**9705 Choke Plate, Exhaust Manifold**

B9A705BK	59-60, 430, with gasket .....	14.95
B9705K	58-68, 352/390/428, with gasket .....	9.95

**9B720 Bumper, Throttle Stop Accelerator Linkage**

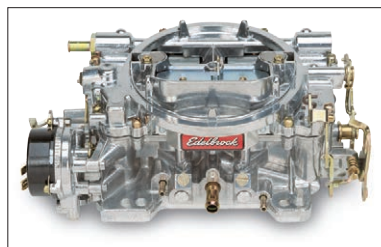
B9B720B	61-66 .....	3.25
---------	-------------	------

**9727 Rod, Gas Pedal**

B9727A	58-60 .....	5.25
9727A	58-60, seal .....	1.05
B9727B	61-64 .....	5.50

**9C735 Bellows, Cruise Control**

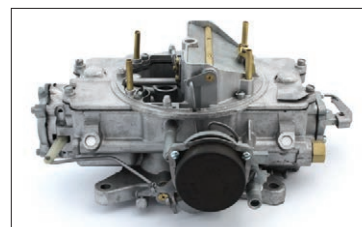
B9C735A	64-71, 3" .....	29.95
---------	-----------------	-------



**Carter/Edelbrock Typical**

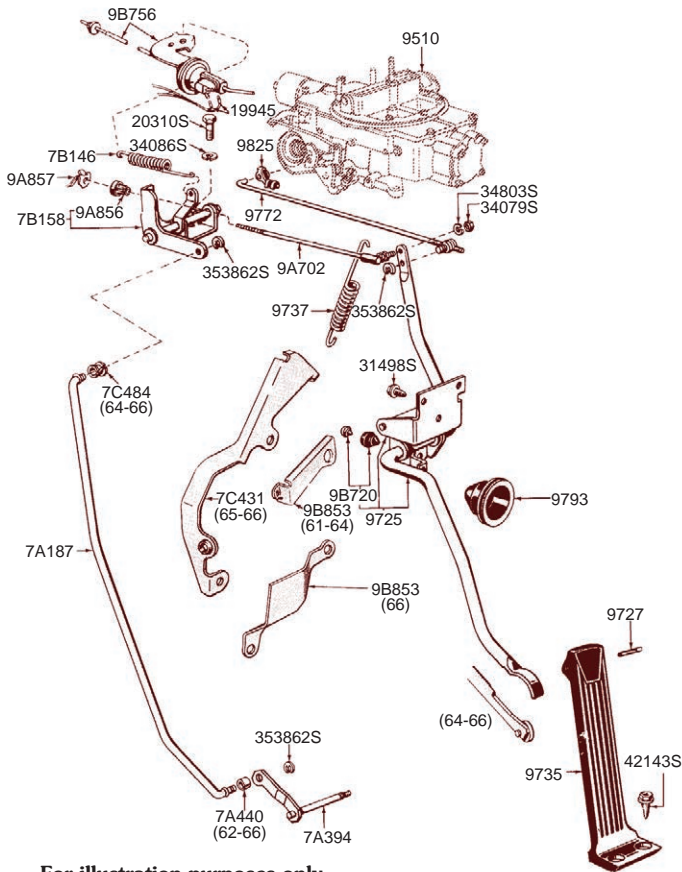


**Holley Typical**



**Autolite Typical**

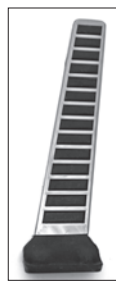
**We have Shop manuals see page 120**



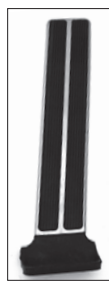
For illustration purposes only  
**1961-66 ACCELERATOR LINKAGE**



**9735**



**B9735C**



**B9735D**

- 9735 Gas Pedal**  
 9735 58-60, exact reproduction ..... 18.95  
 B9735B 61-62, exact reproduction ..... 16.95  
 B9735C 63-64, with stainless trim ..... 49.95  
 B9735D 65-66, with stainless trim ..... 49.95  
 • **HWK90** Screws, gas pedal to floor, 2 pieces 58-64..... 0.75  
 •• **NOTE** •• For brake pedals see 2454

- 9737 Spring, Accelerator**  
 B9737A 62-63, 3-2 barrel carburetors ..... 49.95  
 B9737B 61-66, except 3-2 barrel carburetors..... 4.95



**B9741B**



**B9741C**

- 9741 Bracket, Accelerator Return Spring, or Kickdown**  
 B9741B 61-66..... 20.95  
 B9741C 61-66, kickdown rod return spring..... 9.95  
**9A702/9772 Rods, Fuel Linkage**  
 B9772K 61-66 without cruise, includes 9772, 9A702 & clips, set. 34.95

- 9793 Seal, Accelerator Rod at Firewall**  
 B9793B 61-66..... 6.00  
**9819 Tube, Thermostatic Choke Control Outlet**  
 B9819A 58-60, Choke tubes with insulator, original carburetor, 352... 32.95  
 B9819ASS Same as above except stainless steel..... 34.95  
 B9819AH 58-60, Choke tubes with insulator, Holley carb, 352. 32.95  
 B9819AHSS Same as above except stainless steel..... 34.95  
 B9819B 59-60, Choke tubes with insulator, original carburetor, 430... 32.95  
 B9819BSS Same as above except stainless steel..... 34.95  
 B9819C 61, Choke tubes with insulator, carb..... 32.95  
 B9819CSS Same as above except stainless steel..... 34.95  
 B9819CH 61, Choke tubes with insulator, Holley carb ..... 32.95  
 B9819CHSS Same as above except stainless steel..... 34.95  
 B9819D 62, Choke tubes with insulator, original carburetor .... 32.95  
 B9819DSS Same as above except stainless steel..... 34.95  
 B9819DH 62, Choke tubes with insulator, Holley carb ..... 32.95  
 B9819DHSS Same as above except stainless steel..... 34.95  
 B9819E 63-64, Choke tubes with insulator, original carburetor .... 32.95  
 B9819ESS Same as above except stainless steel..... 34.95  
 B9819EH 63-64, Choke tubes with insulator, Holley carb ..... 32.95  
 B9819EHSS Same as above except stainless steel..... 34.95  
 B9819F 65, Choke tubes with insulator, original carburetor .... 32.95  
 B9819FSS Same as above except stainless steel..... 34.95  
 B9819FH 65, Choke tubes with insulator, Holley carb ..... 32.95  
 B9819FHSS Same as above except stainless steel..... 34.95  
 B9819G 66, Choke tubes with insulator, original carburetor .... 32.95  
 B9819GSS Same as above except stainless steel..... 34.95  
 B9819GH 66, Choke tubes with insulator, Holley carb ..... 32.95  
 B9819GHSS Same as above except stainless steel..... 34.95

- 9825/9826 Clip, Rod End**  
 9825 58-71, RH..... 0.60  
 9826 58-71, LH..... 0.60

- 9848 Cover, Choke**  
 B9848A 58-66, all Ford carburetors..... 21.95  
 B9848C 58, Holley electric..... 37.95

- 9B853 Throttle Stop, Accelerator Linkage**  
 B9B853A 61-64..... 16.95  
 B9B853B 66, C6 ..... 19.95

•• **NOTE** •• See B7C431 for 65-66 bracket for automatic transmission.

- 9857 Clip, Accelerator and Kick Down Rod**  
 B9857 61-66..... 7.95

- 9865 Insulator, Choke Tube**  
 B9865A 58-60, 14½" ..... 14.95  
 B9865B 61-63, 16" ..... 14.95  
 B9865C 64-66, 17½" ..... 14.95

- 9873 Bushing, Gas Pedal Hinge Cover**  
 B9873 67-72, 2 required..... 2.95

- 9903 Gasket, Cover Plate on RH Exhaust Manifold**  
 B9903 58-68, 352/390/428 ..... 5.70

- 01605 Firewall Pad**  
 B01605A 58-60, 3 pieces, with clips ..... 42.25

- 01890 Air Vent Knobs**  
 B01890A 58, black with silver, 2 required ..... 7.00  
 B01890B 59, white with gold, 2 required ..... 7.00  
 B01890C 60, white with silver, 2 required..... 7.00  
 B01890D 61-63 RH vent cable with handle ..... 52.95  
 B01891D 61-63 LH vent cable without knob ..... 24.95

- 019A10 Cable, Vent**  
 B019A10 61-63 LH vent cable bezel nut..... 14.95



**B02207B**



**B02207C**

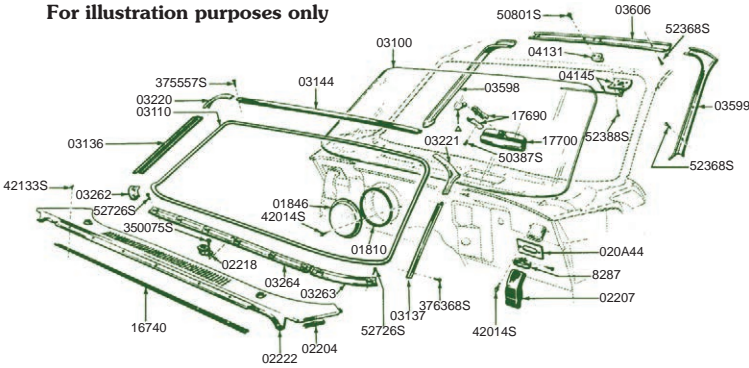
- 02207 Front Cowl Drain Tubes**  
**B02207B** 61-64, pair, 8" long ..... 34.95  
**B02207C** 64-66, pair, 5" long ..... 34.95

•• **NOTE** •• For clamps see B8287F



**1961/63 WINDSHIELD (HARDTOP)**

For illustration purposes only



**B02344/5E**

- 02344-02345 Kick Panels**
- BKP58 58-59, seat insert colors see page 100, pair.....91.00
- BKP59 60, seat insert colors see page 101, pair.....91.00
- B02344C 61-62, black, pair .....109.95
- B02344D 63, black, pair .....109.95
- B02344E 64-66, coupe, black, pair .....109.95
- B02344F 64-66, convertible, black, pair .....109.95
- 02614 Windlace Clip**
- B02614A 58-60, 18 required.....3.95
- 02626-02627 Weatherstrip, Front Upper Body Pillar**
- B02626-7A 58-60, coupe, pair .....14.95
- B02626-7B 58-60, convertible, pair .....47.95
- B02626-7C 64-66, convertible, pair .....44.95
- B02626-7D 61-63, convertible, pair .....51.95
- 03100 Windshields**
- B03100A 58/60, clear .....575.00
- B03100B 58/60, green/shaded.....595.00
- B03100C 61/63, clear .....394.50
- B03100D 61/63, green/shaded.....394.50
- B03100F 64/66, green/shaded.....229.50
- B03100H 67/69 hardtop, clear .....575.00
- B03100I 67/69 hardtop, tinted .....575.00
- B03100J 70, models 65A/B/C/D, tinted with antenna .....536.00
- NOTE •• Drop shipped to business address only.
- 03110 Weatherstrip, Windshield**
- B03110A 58-60 .....114.95
- B03110B 61-63 .....99.95
- B03110C 64-66 .....99.95
- 03178 Upper Windshield Molding Clip**
- B03178C 64-66 .....3.95



- 04104 Sun Visors**
- B04104A 58-59, white, pair .....169.95
- B04104BRB 60, black, pair .....169.95
- B04104BRDB 60, dark blue, pair .....169.95
- B04104BRDG 60, dark green, pair .....169.95
- B04104BRDT 60, dark turquoise, pair .....169.95
- B04104BRLB 60, light beige, pair .....169.95
- B04104BRR 60, red, pair .....169.95
- B04104BRW 60, white, pair .....169.95



- B04123 B04131A B04131B B04115A**
- 04114 Pin, Sun Visor Anchor**
- B04114C 61-69, without tip.....3.95
- 04115 Rubber Tip, Sun Visor Pin**
- B04115A 61-72 .....1.10
- 04123 Pivot Kit, Sun Visor Pin**
- B04123 64-66, convertible, pair, chrome.....19.95
- 04131 Clip, Visor Arm**
- B04131A 58-60, 2 required.....15.95
- B04131B 61-63 .....17.95
- 04132/3 Clip, Visor Arm**
- B04132C 66, hardtop, RH .....21.00
- B04133C 66, hardtop, LH .....20.00
- B04132D 68-69, white.....17.95
- B04132E 68-69, black .....17.95



**B04145D**

- 04144/04145 Bracket, Sun Visor**
- B04144A 58-60, RH.....55.00
- B04144B 61-63, RH.....55.00
- B04144D 64-66, convertible, RH.....55.00
- B04145A 58-60, LH.....55.00
- B04145B 61-63, LH.....55.00
- B04145D 64-66, convertible, LH.....55.00
- 04178-04180 Fuel Line Support Brackets**
- B04178-80 58-60, pair .....39.95
- 04290 Padded Dash**
- B04290A 58-59 replacement / 60 reproduction, black .....499.95
- B04290B 61-63, before 4/16/62, black .....499.95
- B04290C 58-59 replacement / 60 reproduction, white.....499.95
- B04290D 61-63 before 4/16/62, white.....499.95
- NOTE •• These 61-63 dashes may be used on cars built after 4/16/62. However, you should replace your door panels with our new combo panels to avoid wrinkling the ends of the dash when you close the door. You must also trim the metal ends of the dash for the dash pad to fit properly. You will also need to purchase B044B76/7 vinyl pads and B045A64/5 vinyl clad end plate.
- 044B06-044B07-044B08 Dash Aluminum**
- B044B06A 61-63, without A/C, RH with swing away .....125.00
- B044B06B 61-63, with A/C, RH with swing away .....95.00
- B044B07 61-63, LH .....45.00
- B044B08 61-63, center, with A/C.....50.00
- 044B26 Trim Clip, Console**
- B044B26 61-66
- 58 lower dash trim.....0.75
- 04460 Thunderbird Script**
- B04460 61/63 dash script .....24.95



**B044B76-7**

- 044B76/7 Pad, Dash Pad End**
- B044B76-7 61-63 Black vinyl, pair, before 4/16/62.....29.95
- NOTE •• For vinyl clad end plate see B045A64/5



- 045B22 Grab Bar** **B045B22CR**
- B045B22AR Black .....295.00
  - B045B22BR White .....295.00
  - B045B22CR Red .....295.00

- 045A64-5 Plate, Dash Pad End**
- B045A64-5 61-63, Black vinyl, pair, before 4/16/62 .....39.95
  - NOTE •• For vinyl pad see B044B76



**B06010A**



**B06081A**

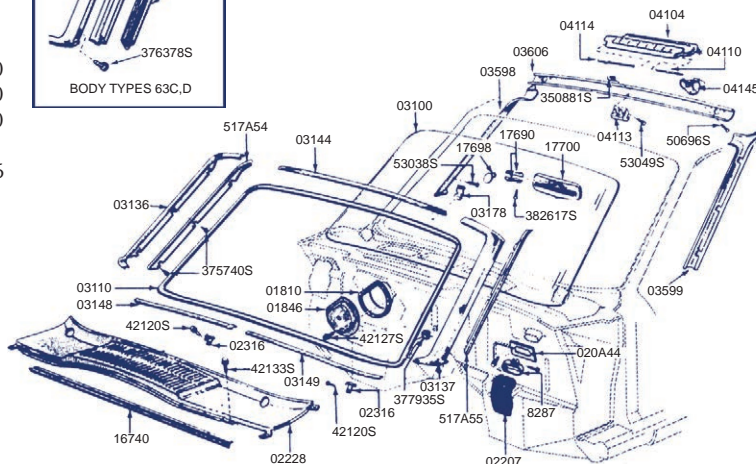
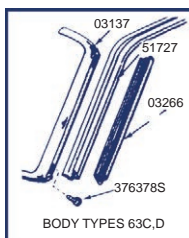


**B06081B**

- 04567-048A14 Console and Ashtray Aluminum**
- B04567B 61-62 all, and 63 without power windows .....75.00
  - B04567C 63, with power windows .....75.00
  - B048A14 61-63 Ashtray .....25.00

- 06010 Glove Box**
- B06010A 58-60 .....23.95
  - B06010B 61-63, console box .....49.95
  - B06010C 64, console box .....49.95
  - B06010D 65-66, console box .....49.95

- 06081 Bezel, Glove Box Lock**
- B06081A 58, black plastic with stainless center .....12.95
  - B06081B 59-60, white plastic with stainless center .....12.95



**1964-66 WINDSHIELD**

For illustration purposes only

- 06158 Glove Box Latch Lever**
- B06158 64-66 .....9.95

**IGNITION & ELECTRICAL SYSTEMS**



- 10002 Generator, Rebuilt, Exchange, Less Pulley**
- B10002AX 58-62, 352/390 .....169.95
  - B10002BX 59-60, 430 .....169.95
  - CORE •• Core must be sent first.



Alternators that look like generators.

- Features Include:**
- 90 Amp Hwy / 60 Amps Idle
  - 12 volt Negative Ground,
  - Output Terminal in OE Location
  - 1/2" Wide V-Pulley
  - Black Powder Coat or Chrome Finish

- 10003 PowerGen Alternator**
- 10003E 58-62, Black .....420.00
  - 10003F 58-62, Chrome .....642.95
- 10034 Plug, Seat Belt Anchor**
- B10034A 62-65, used without seat belts, NOS .....1.25
- 10069 Brush Assembly, Generator**
- 10069A 58-62 .....8.95
- 10094 Bearing, Generator or Alternator**
- 10094 58-62, generator end plate
  - 63-69, alternator, front .....11.25
- 10095 Bearing, Generator Rear**
- 10095 58-62 .....15.50

- 10107 Splash Shield, Generator**
- B10107B 61-62 .....24.95
- 10145 Adjusting Bracket, Alternator**
- B10145C 65-66, without smog pump .....22.95
- 10A310 Fan, Alternator**
- B10A310A 65-66 .....24.25
- 10313 Bracket, A/C Idler & Alternator**
- B10313A 64 .....79.95
- 10316 Regulator, Alternator**
- B10316A 63-72, replacement .....14.95
  - B10316R 63-66, exact reproduction .....56.99
- 10344 Pulley, Alternator**
- B10344K 65-69, single groove .....25.50
  - B10344L 65-69, dual groove .....28.95
- 10A344 Spacer, Alternator Pulley**
- B10A344B 65-69 .....4.95
- 10346 Alternator with Pulley, Rebuilt, Exchange**
- B10346AX 63-64, single pulley, 42 amp .....169.95
  - B10346BX 63-64, double pulley, with A/C, 42 amp .....169.95
  - B10346DX 65-72, single pulley, 55 amp .....169.95
  - B10346EX 65-72, single pulley, 65 amp .....169.95
  - CORE •• Core must be sent first.

- 10A358 Quarter Panel Drain Valve**
- B10A358D 64-71, quarter panel drain valve .....1.95

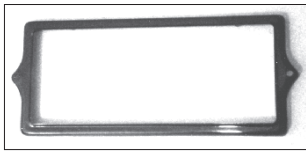
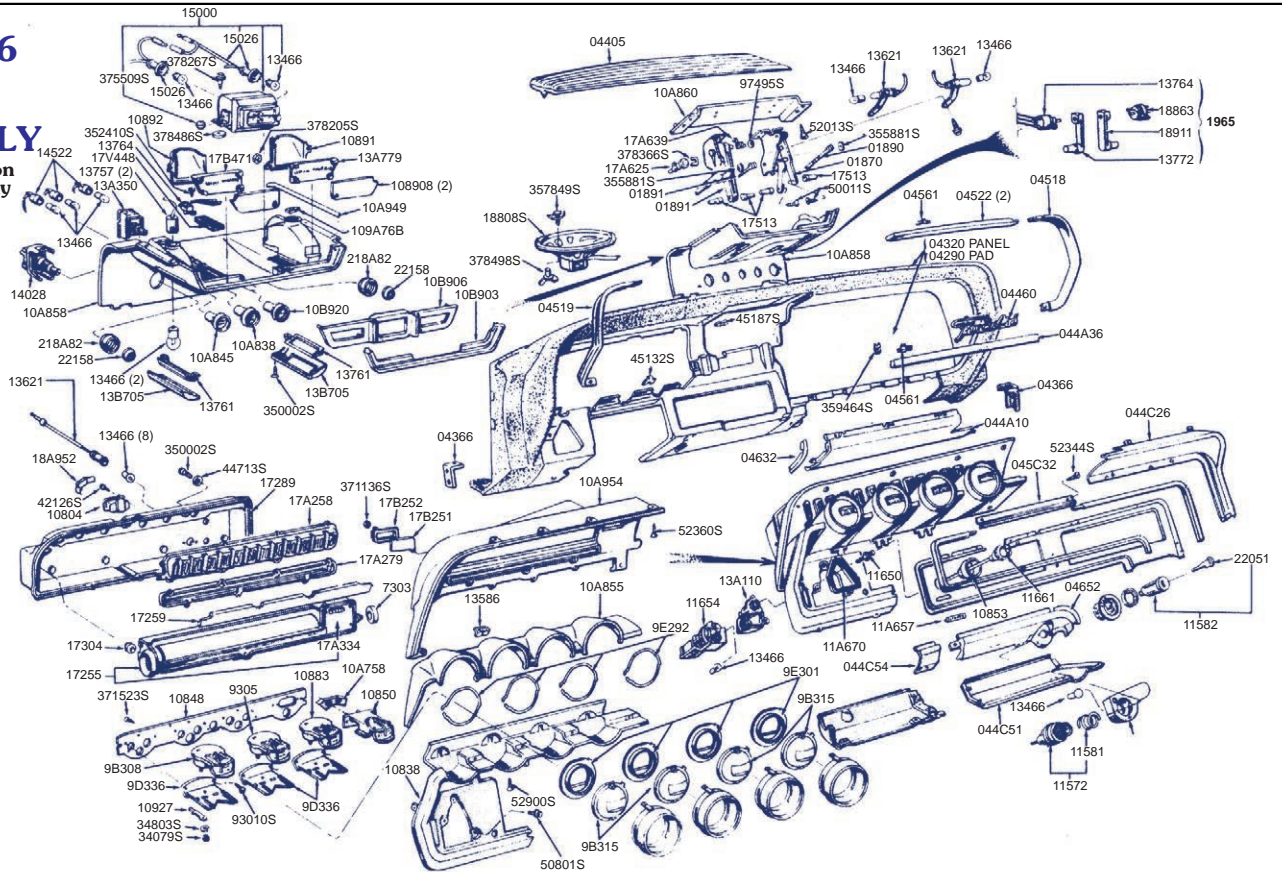


**10505B**

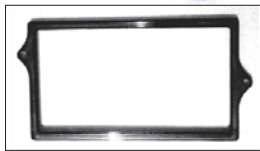
- 10505 Regulator, Generator**
- 10505B 58-62, Motorcraft .....135.00



**1964-66  
DASH  
ASSEMBLY**  
For illustration  
purposes only



**10718B**



**B10718D**



**B10718A**



**B10718C**

**10718 Clamp, Battery Hold Down**

B10718A	66-72, top clamp.....	6.25
10718B	58-60, GRP 29NF, top clamp, 5 1/4" x 12 1/2".....	22.50
B10718C	61-66, bottom clamp.....	7.95
B10718D	58-60, GRP 27F, top clamp, 7 1/8" x 12 1/8".....	29.95
• BHK77C	61-66, bolt and nut for B10718C.....	1.95

**10756 Bolt, Battery Hold Down**

10756A	58-60 / 66-72, top clamp, 2 required.....	4.95
• HWK77	Washers and wing nuts, 6 pieces.....	4.65

**10757 Shield, Battery**

10757B	58-59.....	42.50
--------	------------	-------



**B10764A**



**B10764B**



**B10764C**

**10764 Tray, Battery**

B10764A	61-72, before 12/1/65, bottom clamp type.....	29.95
B10764C	58-60.....	49.95
B10764B	66-69, after 12/1/65, top clamp type.....	29.95

**10804 Regulator Assembly, Instrument Cluster Voltage**

10804	58-66.....	31.60
-------	------------	-------

**10823 Dash Warning Light Bezels, Inner**

B10823A	60, Oil bezel with red lens.....	21.95
B10823B	60, Generator bezel with red lens.....	21.95

**10C838 Relay, Emergency Flasher**

B10C838A	66 Town models, 4 wire.....	59.95
B10C838B	66 Town models, 3 wire.....	59.95

**10A841 Parking Brake Indicator Socket and Wire**

B10A841B	61-63.....	40.75
----------	------------	-------

**10844 Bezel, Oil and Generator Light, Outer**

B10844A	58-60.....	13.95
---------	------------	-------

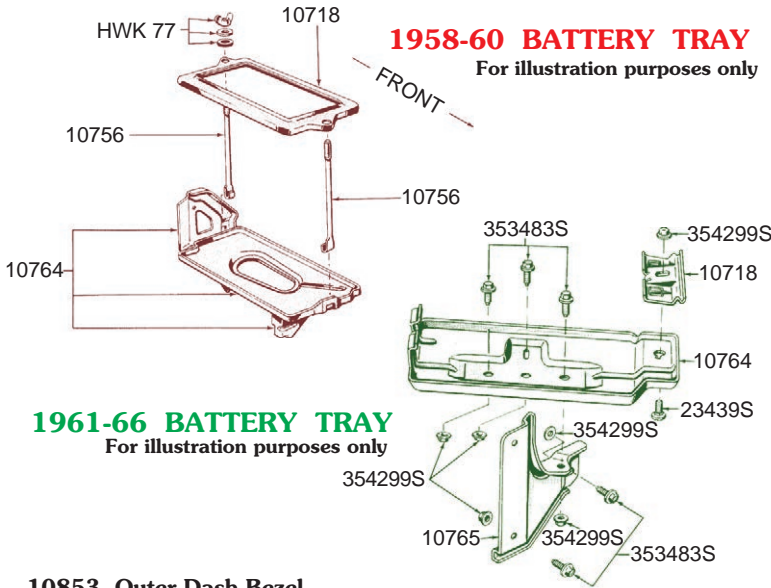


**10851 Dash Knob and Bezel Set**

B10851AK	58, 23 pieces.....	191.95
B10851BK	59, 23 pieces.....	191.95
B10851CK	60, with clear, 24 pieces.....	239.95
B10851DK	60, with green, 24 pieces.....	239.95

**10852 Inner Dash Bezel**

10852A	58-59, Headlight.....	17.75
10852B	58-59, Wiper.....	17.75
10852D	58-59, Lighter.....	17.75
B10852E	61-63, Headlight switch bezel.....	16.95
B10852F	61-63, LH vent cable bezel.....	26.95
B10852LC	60, Headlight, clear letters.....	21.95
B10852LG	60, Headlight, green letters.....	21.95
B10852WC	60, Wiper, clear letters.....	21.95
B10852WG	60, Wiper, green letters.....	21.95



- 10853 Outer Dash Bezel**
- 10853 58-60, wipers, lights, ignition, chrome..... 14.50
- 10868 Grommet, Outer Dash Bezel**
- 10868 58-60, 5 required..... 1.65
- 10884 Sender, Water Temperature**
- 10884C 58-62, 1/4"-18 threads, before 11/15/62..... 19.95
- B10884C 63-66, from 11/15/62 and before 9/1/65, 1/8"-27 .. 16.95
- B10884D 66-69, after 9/1/65, 3/8"-18..... 17.95
- 10911 Temp Sender Adapter**
- B10911A 58-60..... 24.95
- 10B923 Warning Light Harness to Engine Harness**
- B10B923C 64..... 123.32
- 10B925 Seat Belt Light Socket**
- B10B925A 64-65..... 31.50
- 11002 Starter, Rebuilt, Exchange, Includes Starter Drive**
- 11002BX 58-61..... 169.95
- B11002BX 62-64..... 169.95
- B11002CX 65-69, 390/428..... 139.95
- CORE •• Core must be sent first.
- 11003 Powermaster Starter**
- B11003A Gear reduction design for 153 tooth ring gears ..... 219.95
- B11003B Stock replacement, 1965-70 390/428 with  
184 tooth flywheel..... 179.95
- B11003C Gear reduction design 390/427/428,  
184 tooth flywheel..... 220.95
- B11003D 68-72, Stock replacement, 351M/400/429/460 .... 169.95
- 11057 Brush Set, Starter**
- 11057 58-61..... 14.95
- B11057B 65-69..... 7.95
- 11117 Plug, Floorpan**
- B11117 64-66..... 4.95
- 11202 Drain Valve, Rear Floor Pan Extension**
- B11202 68-70, pair..... 16.95
- 11350 Drive, Starter**
- 11350 58-61..... 139.95
- B11350B 62-64..... 69.95
- B11350C 65-69, 390/428..... 22.95
- B11350D 68-69, 429..... 34.95
- 11365 Pin, Starter Motor Drive Pinion**
- 11365 58-61..... 1.95
- 11450 Relay, Starter**
- 11450B 58-69..... 18.95
- 11450C 58-60, Brown as original..... 45.00
- 11572 Switch, Ignition, Includes 11581 Spring**
- 11572 58-60..... 31.95
- B11572B 61-64..... 24.20
- B11572C 65-67..... 32.95
- B11572D 68-69..... 39.95
- NOTE •• See 11582 for cylinder and keys, not included.

- 11A572 Pigtail, Ignition Switch Repair**
- B11A572B 61-63..... 31.95
- B11A572C 64-66..... 31.95

**B11580G**



**B11580C**



- 11580 Bezel, Inner Dash**
- 11580 58-59, ignition switch..... 19.95
- B11580C 60, Ignition switch, clear letters ..... 21.95
- B11580G 60, Ignition switch, green letters ..... 21.95



**11585**

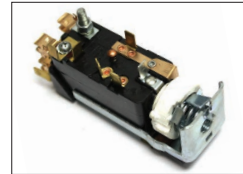


**11582**



**11650B**

- 11581 Spring, Ignition Switch Retaining**
- 11581 58-64..... 3.00
- 11582 Cylinder and Key, Ignition**
- 11582 58-60..... 16.95
- B11582B 61-64..... 16.95
- B11582C 65-69..... 15.00
- B11582D 70-73..... 15.95
- 11584 Bezel, Ignition Switch**
- B11584A 61-63..... 34.95
- B11584B 64..... 34.95
- B11584C 65-66..... 34.95
- 11585 Retainer Nut, Ignition Switch Bezel**
- 11585 58-60..... 14.95
- 11650 Retainer Nut, Headlight Switch**
- 11650B 58-60..... 17.95
- B11650C 61-63..... 16.95



**B11654A**



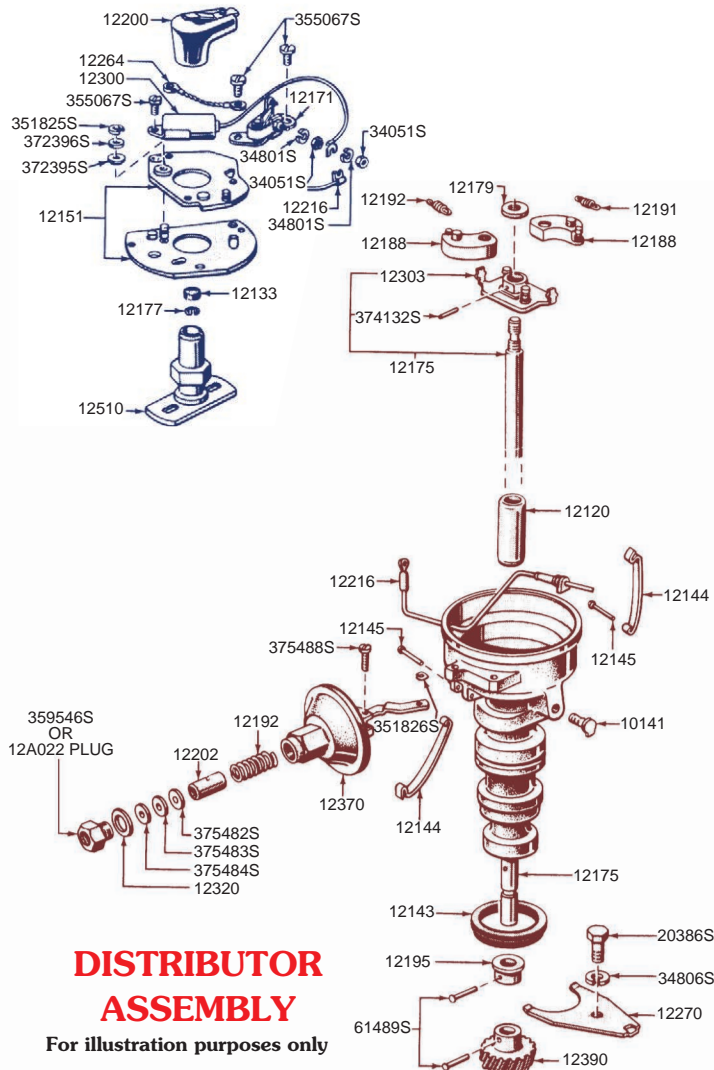
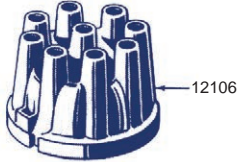
**B11661A**

- 11654 Switch, Headlight**
- B11654A 58-60..... 55.00
- B11654B 61-63..... 41.95
- B11654C 65-67 / 70-71..... 61.95
- B11654D 64, 7 pin..... 71.95
- 11661 Knob, Headlight Switch**
- B11661A 58, black with silver, with shaft..... 10.50
- B11661B 59, white with gold, with shaft..... 10.50
- B11661C 60, white with silver, with shaft ..... 10.50
- B11661D 61-63, chrome knob, with shaft..... 22.95
- 12000 Solid State Ignition, Pertronix**
- 12000E 58-72, replaces points and condenser..... 132.95
- 12029 Coil Assembly, Ignition**
- 12029B 58-71, except transistorized ignition..... 26.95
- 12029C 58-71, with yellow top..... 41.95
- 12029D 58-71, Pertronix FlameThrower II 45,000  
volt coil, black ..... 46.95
- 12029E 58-71, Pertronix FlameThrower II 45,000  
volt coil chrome..... 48.95
- 12043 Strap, Ignition Coil Mounting**
- 12043B 58-64, 352/390/428  
except 60, 352 with A/C..... 35.95
- 12106 Distributor Cap**
- 12106B 58-71, except transistorized ignition..... 22.95
- 12120 Bushing, Distributor Shaft**
- 12120B 58-66..... 17.95



**B12127AX**

- 12127 Distributor Assembly, Rebuilt**  
 B12127AX 58-68, 352/390/428, except 3-2 barrel and transistorized ignition ..... 249.95  
 B12127BX 59-60, 430 ..... 275.00  
 B12127CX 62-63 with 3-2 barrel carburetors ..... 259.95  
 B12127EX 68-69, 429 single advance ..... 99.95  
 •• CORE •• Rebuild your core.
- 12127 Distributor Assembly, New**  
 B12127A 58-68, 352/390/428 except 3-2 barrel and transistorized ignition ..... 199.95  
 B12127P-3 58-68, 352/390/428 with Pertronix Ignitor III with cap and rotor ..... 320.95

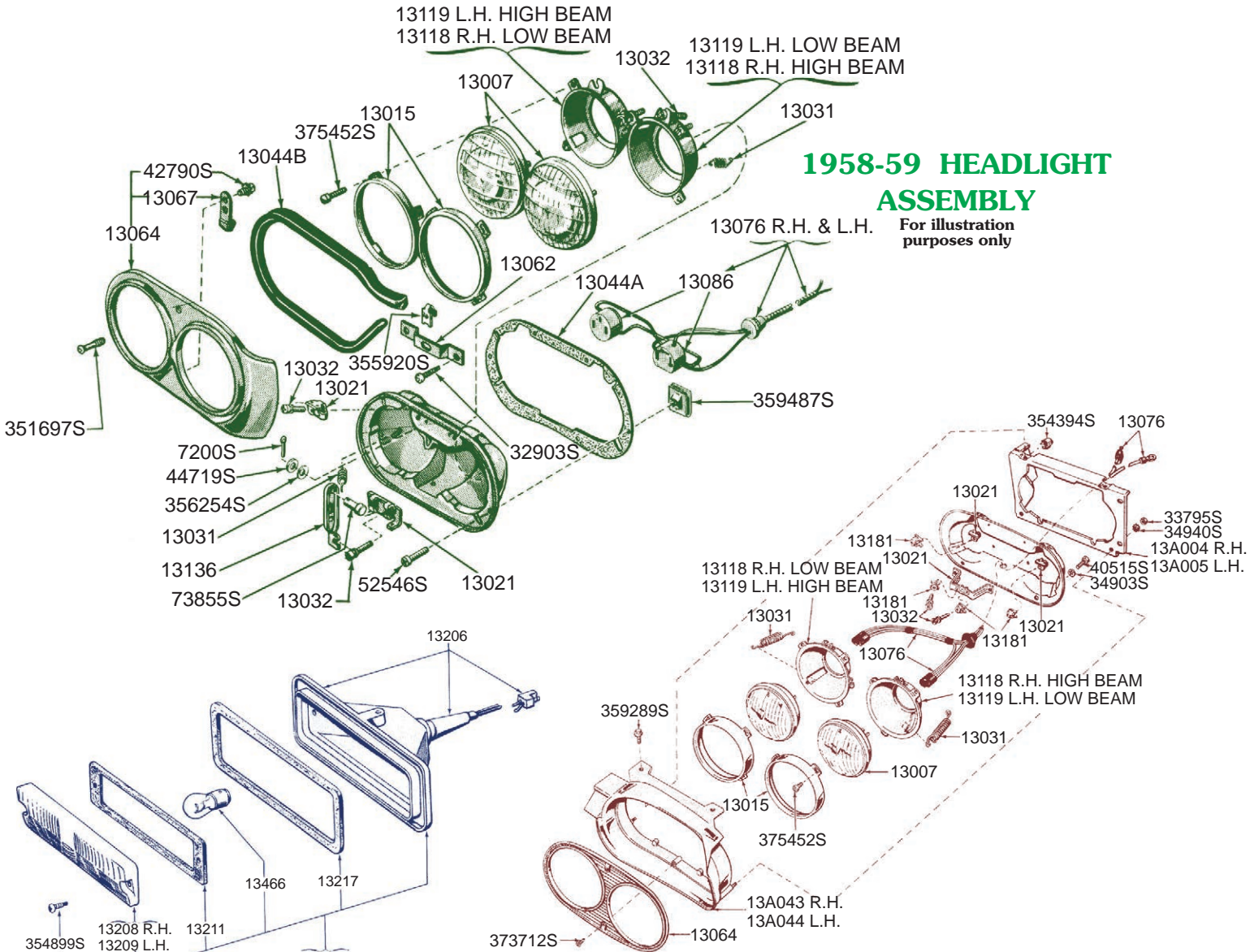


## DISTRIBUTOR ASSEMBLY

For illustration purposes only

- 12143 Gasket, Distributor Base**  
 12143 58-71 ..... 3.00
- 12151 Plate Assembly, Distributor Breaker**  
 B12151A 58-71, all, upper or lower, 2 required ..... 24.95
- 12171 Distributor Point Set**  
 12171B 58-72, except transistorized ignition ..... 15.50
- 12200 Distributor Rotor**  
 12200B 58-72, all ..... 8.95
- 12210 Distributor Cam**  
 12210 58-59, NOS ..... 49.95
- 12216 Wire Assembly, Distributor Primary**  
 B12216B 58-71 ..... 15.95
- 12250 Ignition Ballast Resistor**  
 B12250A 58-59, ballast resistor ..... 9.50
- 12259 Wire Set, Spark Plug**  
 B12259DR 58-72, 352/390/428 ..... 62.95  
 B12259NR 59-60, 430 / 62-63, 3-2 barrel carburetors ..... 62.95
- 12270 Clamp, Distributor to Intake**  
 B12270B 65-66, except tag No. C7TF-F, C5SF-B, C6SF-B, D .. 7.95
- 12297 Separator, Spark Plug Wire**  
 B12297A 58-70, on valve cover ..... 2.25  
 12297C 58-70, comb type ..... 1.75
- 12298 Wire Assembly, Coil to Distributor**  
 B12298A 58-66 ..... 6.95
- 12300 Distributor Condenser**  
 B12300A 58-72, except transistorized ignition ..... 12.95
- 12370 Vacuum Advance, Distributor**  
 12370C 58-59, with pivot plate distributor, NOS ..... 69.95  
 B12370B 60-64, all except 3-2 barrel carburetors ..... 45.95  
 B12370C 65-72, all ..... 39.95
- 12371 Vacuum Line, Distributor**  
 B12371A 58-61, carbon steel ..... 30.95  
 B12371ASS 58-61, stainless steel ..... 36.95  
 B12371B 62-63, carbon steel ..... 30.95  
 B12371BSS 62-63, stainless steel ..... 36.95  
 B12371C 64-66, carbon steel ..... 30.95  
 B12371CSS 64-66, stainless steel ..... 36.95
- 12390 Gear, Distributor Driven**  
 B12390C 58-66, 15 teeth, 352/390/428 ..... 42.95
- 12405 Spark Plug**  
 B12405 58-72 ..... 3.55
- 13000 Exterior Light Gasket Sets**  
 B13000AK 58-59 ..... 32.75  
 B13000BK 60 ..... 34.95  
 B13000CK 61 ..... 14.95  
 B13000DK 62-63 ..... 25.95  
 B13000EK 64-65 ..... 22.25  
 B13000FK 66 ..... 26.95
- 13007 Headlight Bulb**  
 B13007B 58-72, high beam, replacement ..... 19.95  
 B13007C 58-72, low beam, replacement ..... 19.95  
 B13007D 58-72, low beam, FoMoCo etched ..... 49.95  
 B13007DH 58-72, low beam halogen, FoMoCo etched ..... 19.40  
 B13007E 58-72, high beam, FoMoCo etched ..... 49.95  
 B13007EH 58-72, high beam halogen, FoMoCo etched ..... 19.40
- 13015 Headlight Retaining Ring**  
 B13015D 67-75 ..... 12.95
- 13A024 Switch, Headlight Dimmer, on Floor**  
 13A024B 58-60 ..... 48.95  
 B13A024B 61-71 ..... 15.95
- 13031 Spring, Headlight Ring**  
 B13031A 64-65 ..... 2.50  
 B13031B 61-63, 3" ..... 2.25  
 B13031C 58-60, 2 1/8" ..... 5.95  
 B13031D 66-69 ..... 8.50
- 13032 Screw, Headlight Adjusting**  
 B13032C 61, 1/4"-28 x 2" ..... 1.00

**For Tune-Up Specs Purchase a Shop Manual - Page 120**



**1958-60 PARKING LIGHT ASSEMBLY**

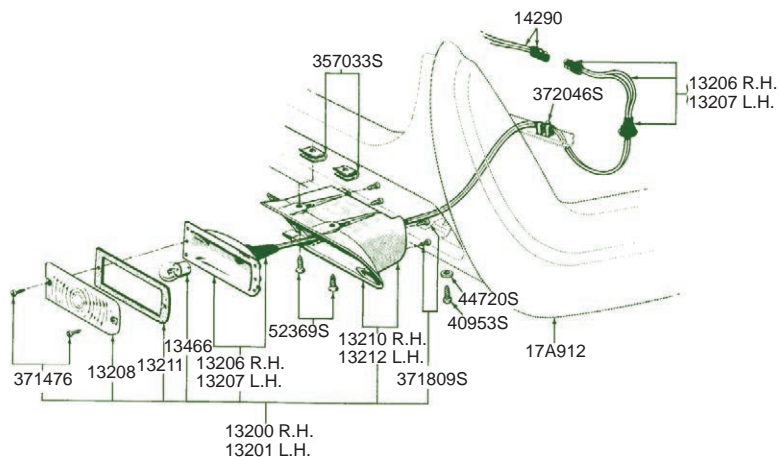
For illustration purposes only

**1961-63 HEADLIGHT ASSEMBLY**

For illustration purposes only

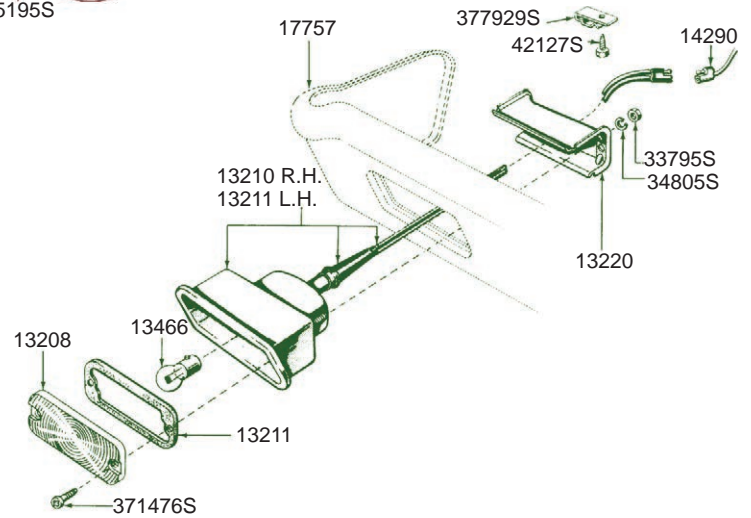
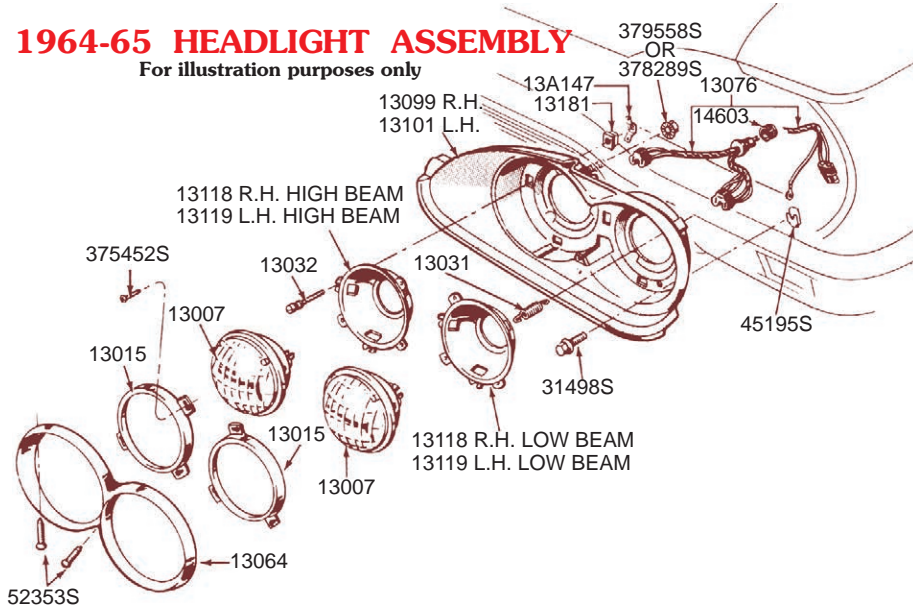
**1961-63 PARKING LIGHT ASSEMBLY**

For illustration purposes only



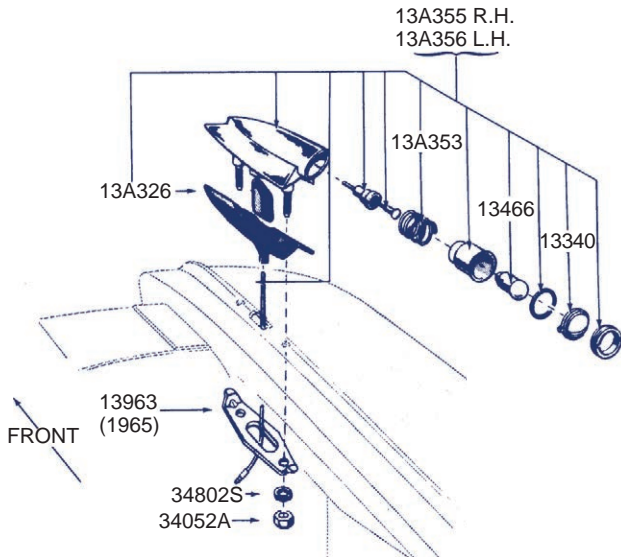
**1964-65 HEADLIGHT ASSEMBLY**

For illustration purposes only



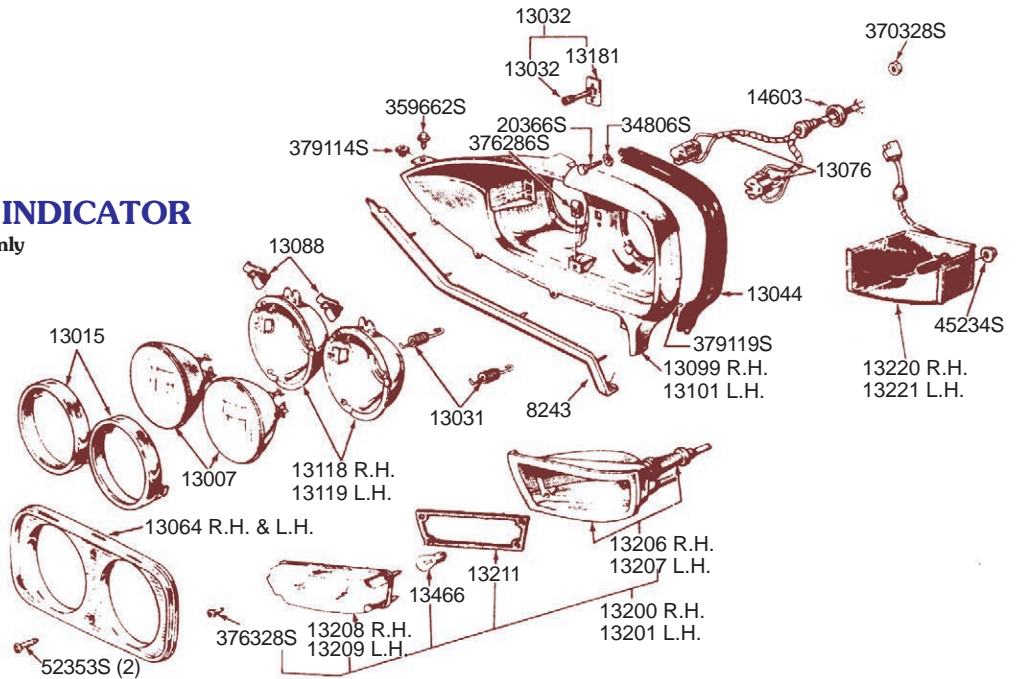
**1964-65 PARKING LIGHT ASSEMBLY**

For illustration purposes only



**1964-66 TURN SIGNAL INDICATOR**

For illustration purposes only



**1966 HEAD LIGHT AND PARK LIGHT ASSEMBLY**

For illustration purposes only



- 13A043-4B Bezels, Headlight**
- B13A043-4B 61-63, pair .....650.00
- 13044 Gasket, Headlight Bucket**
- B13044A 58-60, inner .....3.50
- B13044B 58-60, outer, pair .....8.95

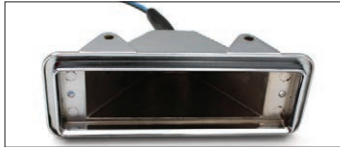


**B13064C**



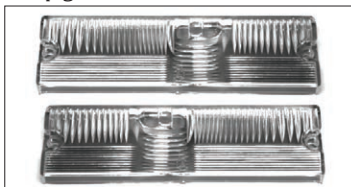
**B13064E**

- 13064-5 Door, Headlight**
- B13064E 61-63 .....49.95
- B13064C 64-65, RH.....99.95
- B13065C 64-65, LH.....99.95
- 13076 Wire, Headlight Lead**
- B13076A 58, right or left .....45.95
- B13076B 59, right or left .....45.95
- B13076C 60-63, right or left .....45.95
- B13076D 64-68, right or left .....48.95
- 13099 Headlight Bucket Repair Kit**
- B13099RP 66, 4 required.....9.95
- 13181 Nut, Headlight Adjusting**
- B13181B 61-63, nut only.....2.95
- B13181A 64-65, nut with screw .....7.50
- B13181D 66, nut with screw .....5.95



**B13206B**

- 13206 Body, Park Light**
- B13206B 58-60, RH or LH, exact reproduction with correct pigtail .....69.95



**B13208-9A**

- 13208-13209 Lens, Parking Light**
- B3B13208-9A 58-60, pair .....16.95
- B13208B 64-65 .....6.50
- B13208C 61-63, clear .....7.95
- B13208D 61-63, amber .....9.95
- B13208I 66, RH.....34.95
- B13209I 66, LH.....34.95
- **HWK17** 58-60, screws, lens to body, 4 pieces, 2 sides .....3.75



- 13208 Plate, Door Scuff**
- B13208E 58-60, pair .....139.95
- B13208F 61-62, pair .....139.95
- B13208G 64-66, pair .....149.95
- B13208H 63 .....58.85
- B13208J 64-66, lower, pair .....29.95
- **NOTE**•• For 63-66 emblem see DC370.

- 13210/11B Housing, Park Light**
- B13210-11B 61-63, pair .....259.95
- 13211 Gasket, Parking Light Lens**
- 13211B 58-60 .....1.80
- B13211B 61-63 .....3.20
- B13211C 64-65 .....3.20
- B13211D 66 .....3.20
- B13211E 67 .....3.70
- B13211F 68 .....3.70
- B13211G 69 .....3.70

- 13217 Pad, Parking Light Mounting**
- 13217B 58-60 .....2.15
- 13304 Plate, Turn Signal Canceling**
- B13304A 58-60, includes 13309 & 13316 .....49.95
- B13304CR 64 .....14.95
- B13304DR 65-66 .....13.95
- B13304E 67-72 .....14.95
- 13305 Lever, Turn Signal**
- B13310A 61-62, before 1/18/62, with 10-32 threaded end, chrome handle .....19.95
- B13305A 58, black handle, silver head .....19.95
- B13305B 59, white handle, gold head .....19.95
- B13305C 60, white handle, silver head .....19.95
- B13305D 62-71, after 1/18/62, with 1/4"-28 threaded end .....19.95
- 13309 Pawl, Turn Indicator Switch**
- 13309 58-63 .....8.50
- 13316 Spring, Turn Indicator Pawl**
- 13316 58-60 .....6.25
- 13318 Cam, Turn Signal**
- 13318 58-62 .....11.50
- 13341 Switch, Turn Indicator**
- B13341A 58-60 .....109.95
- B13341B 64, 10 wire .....125.00
- B13341C 61-63 .....90.00
- B13341D 64, 7 wire .....125.00
- B13341E 65-66, without cruise .....95.95
- B13341F 67, tilt column without cruise .....315.00
- B13341H 68, fixed column, without cruise .....125.00
- B13341I 68, tilt column without cruise .....139.95
- B13341J 69, fixed column without cruise .....385.00
- B13341K 69, tilt column without cruise .....385.00
- 13343 Spring, Turn Signal Switch**
- 13343A 58-60 .....3.25
- 13350 Flasher, Turn Signals & Emergency**
- 13350B 58-59, turn signal, under dash, 2 prong .....4.25
- B13350B 60-68, turn signal, under dash, 2 prong .....6.50
- B13350C 64-66, emergency warning, under dash, 3 prong .....7.50
- B13350D 69-71, electronic .....49.95
- **NOTE**•• See 13A367 for electronic replacement of sequential turn signal

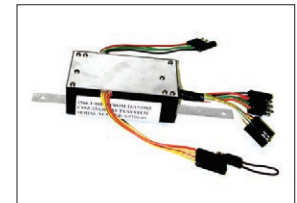


**B13A355-6A**

- 13A355 Light Assembly, Top of Fender**
- B13A355-6A 64-65, pair .....99.95
- B13A355-6B 66, pair .....99.95
- 13A366 Relay Assembly, Turn Signal**
- B13A366C 65-67, under dash, NOS .....108.95



**B13A367D Pin Type**



**B13A367E Plug Type**

- 13A367 Electronic Sequential Turn Signal System**
- B13A367D 65-66, with pin type brake relay, before 11/17/65 .....274.95
- B13A367E 66 late, with plug type brake relay, after 11/17/65 .....274.95
- B13A367F 60 & 64, universal sequential turn signal conversion kit .....197.95
- B13A367G 67 before 1/16/67 with stop light relay .....274.95
- B13A367H 67 after 1/16/67 without stop light relay .....274.95
- B13A367I 69-71, from 10/15/68 .....145.95
- **NOTE**•• 69-71 must use with B13350D electronic flasher
- **NOTE**•• This system replaces all these parts found in the trunk - Sequential flasher and motor, turn signal relay, and brake light relay

### 13410 Wire & Socket, Park Light

B13410B	58-59 tail light socket.....	9.95
B13410C	Universal 3 wire socket with flange.....	9.95
B13410D	64-65 park light.....	44.75
B13410E	64, tail light, 3 plug.....	89.95
B13410F	65, tail light, right, 3 sockets.....	94.95
B13410G	65, tail light, left, 3 sockets.....	94.95

### 13420 Pad, Tail Light Body Mounting

B13420A	62-63, outer, white.....	7.50
B13420B	61, outer, gray.....	7.50
B13420C	60.....	9.95



**B13434B**



**B13434C**

### 13434 Housing, Tail Lights

B13434B	61, housing, anodized aluminum as original.....	68.95
B13434C	62-63, housing & socket, anodized aluminum as original.....	99.95



**B13450A**



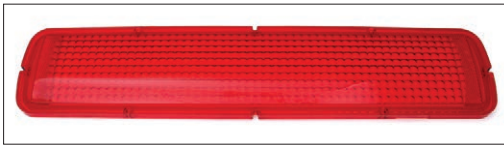
**B13450H**



**B13450G**



**B13450B**



**B13450D**



**B15514C**



**B13450F**

### 13450 Lens, Tail Light

B13450A	62-63.....	42.95
B13450B	60, all red.....	26.95
B13450C	64.....	62.95
B13450D	65.....	42.00
B13450E	66, RH or LH.....	74.95
B13450F	66, center.....	74.95
B13450G	58-59.....	42.50
B13450H	61.....	32.95
B15514C	60, red with white center, backup lens.....	34.95

•• NOTE •• For other backup lens see 15514

### 13461 Gasket, Tail Light Lens

B13461A	58-59, inner.....	3.20
B13461B	61, inner.....	3.20
B13461C	62-63.....	4.00
B13461D	64-65.....	4.40
B13461E	60.....	3.20
B13461F	66, RH or LH.....	4.75
B13461G	66, center.....	4.75
B13461H	67-68.....	9.00
B13461I	69.....	5.95

### 13465-13466 Light Bulb, Miniature Interior

13465-57	58-62 A/C control panel.....	1.75
B13466-1895	63-66 & 68 A/C control panel.....	1.25

B13466-158	67 A/C control panel.....	1.75
13465-1445	58-66 ash tray.....	1.75
B13466-1816	58-64 clock.....	0.95
B13466-1895	65-66 clock.....	1.25
B13466-158	67 clock.....	1.75
B13466-1004	63-66 courtesy light, door mounted (except California).....	1.75
B13466-90	66 courtesy light, door mounted (California).....	1.75
B13466-1003	58-67 dome.....	1.75
13465-57	58-62 glove box.....	1.75
13465-1445	63-64 glove box.....	1.75
B13466-631	65-66 glove box.....	1.75
B13466-1895	68 glove box.....	1.25
13465-57	58-62 heater control panel.....	1.75
B13466-1895	63 heater control panel.....	1.25
B13466-158	64 heater control panel.....	1.75
13465-1445	65-66 heater control panel.....	1.75
B13466-158	67 heater control panel.....	1.75
B13466-1895	68 heater control panel.....	1.25
13465-57	58-63 high beam indicator.....	1.75
B13466-1895	64-66 high beam indicator.....	1.25
B13466-158	67 high beam indicator.....	1.75
B13466-0194	68 high beam indicator.....	0.95
13465-57	58-62 ignition switch.....	1.75
13465-1445	63 ignition switch.....	1.75
B13466-1895	64-66 ignition switch.....	1.25
B13466-158	67 ignition switch.....	1.75
B13466-1895	68 ignition switch.....	1.25
13465-57	58-63 instrument panel.....	1.75
B13466-1895	64-66 & 68 instrument panel.....	1.25
B13466-158	67 instrument panel.....	1.75
13465-89	58-63 map light.....	1.25
B13466-631	64-66 map light.....	1.75
B13466-212A	67-68 map light.....	1.75
13465-57	58-62 parking brake warning.....	1.75
B13466-257	63 parking brake warning.....	1.75
B13466-1895	64-68 parking brake warning.....	1.25
B13466-1003	64-67 pillar (body style 63A & 63B).....	1.75
B13466-1895	64-65 seat belt warning.....	1.25
13465-1445	66 seat belt warning.....	1.75
13465-57	58-62 speedometer dial.....	1.75
B13466-1816	63 speedometer dial.....	0.95
B13466-1895	64-66 speedometer dial.....	1.25
B13466-158	67 speedometer dial.....	1.75
B13466-1895	68 speedometer dial.....	1.25
13465-1445	58-64 transmission selector dial.....	1.75
B13466-158	65-67 transmission selector dial.....	1.75
13465-1445	68 transmission selector dial.....	1.75
13465-89	60-63 trunk light.....	1.25
B13466-631	64-68 trunk light.....	1.75

### 13466 Light Bulb, Miniature, Exterior

13465-1141	58 back up.....	1.75
B13466-1003	59 back up.....	1.75
13465-1141	60-63 back up.....	1.75
B13466-1076	64-65 back up.....	1.95
B13466-1156	66 back up.....	0.95
B13466-1076	67-68 back up.....	1.95
13465-1157	58-62 parking.....	1.75
B13466-1157A	63-68 parking.....	1.75
13465-1157	58-68 tail.....	1.75
13465-67	58-62 license plate.....	1.75
B13466-1155	63-72 license plate.....	1.75
B13466-53	64-66 turn signal indicator, fender top.....	0.95

### 13480 Switch, Stop Light

13480	58-64.....	14.95
B13480C	65-68.....	39.95

### 13A480 Retainer, Tail Light Bucket

B13A480A	61.....	27.95
B13A480B	62-63.....	27.95

### 13481 Stop Light Switch Pigtail

B13481A	58-64.....	19.95
---------	------------	-------

**13482 Relay, Stop Light**

- B13482A 65-66, with spade terminals, before 11/17/65 .....49.95
- B13482B 66-67, with pigtail, from 11/17/65.....65.00
- NOTE •• For 1964 see 14512



**B13489A**



**B13489B**

**B13489C**

**B13489D**

**13489 Bezel, Tail Light**

- B13489A 65, inner, RH or LH..... 94.95
- B13489B 58-59.....31.95
- B13489C 63, outer, RH or LH.....69.95
- B13489D 62, outer, RH or LH.....15.95

**13530 Flasher Switch Cam**

- B13530 66, overhead console.....39.95

**13550 License Plate Light Assembly**

- B13550A 58-63.....12.95
- B13550C 64-72.....34.95

**13560 Housing, License Plate Light**

- B13560C 64-72.....20.00

**13564 Lens, License Plate Light**

- B13564A 64-72.....8.95

**13566 Retainer, License Plate Lens**

- B13566C 64-72.....5.00

**13568 Gasket, License Plate Light Lens**

- B13568A 64-72.....1.15



**B13616A**

**13616 Emblem, Taillight**

- B13616A 64.....21.95
- B13616B 66, center.....49.95

**13A706 Gasket, Dome Light Lens**

- B13A706A 58-60, molded.....8.50

**13A709 Wire, Courtesy Light Switch**

- B13A709C 64-65, 2 required.....14.25

**13713 Switch, Courtesy Light, in Pillar Post**

- B13713 58-66 and 67 front door, 2 wire ..... 7.75
- B13713C 68-69 RH or LH front door with fixed column.....19.95

•• NOTE •• For 64-66 plastic wedge on door see B13A786R

**13761 Lens, Dash Courtesy Light**

- B13761A 58-60 convertible, 61-63 all ..... 9.95
- B13761C 64-66, pair.....10.95



**B13776A**

**13776 Light Assembly, Interior**

- B13776A 61-63, hardtop, 2 white lenses, without socket & wires. 32.95
- B13776B 64-66, hardtop, 5 window coupe.....46.75
- B13776C 67-71 2 door, with small round white lens.....48.95

**13783 Lens, Interior Light**

- B13783B 58-60, with 5 tabs, hardtop..... 6.95
- B13783C 61-68, roof, white, round  
61-63 door, white, round, 67-73 quarter panel.....3.75
- B13783D 66 Landau, roof,  
also 69-71 2 door landau without ¼ windows.....10.95
- B13783R 61-63 door light, red lens.....4.95



**B13786A**



**B13786B**

**13786 Light Assembly, Door Mount**

- B13786A 65-66.....43.95
- B13786B 63-64, one white, one red lens, without socket & wires. 38.95

**13A786 Wedge, Courtesy Light Switch**

- B13A786R 64-66, plastic plug on door .....9.95

**13787 Bezel, Dome Light**

- B13787A 58-60, hardtop .....18.75

**13796 Wire, Dome Light**

- B13796A 58-60.....16.50



**B3600AW**



**B13A805A**



**B13A809A**



**B13A809B**



**13832D**

**13A805 Horn Ring**

- B13A805A 58-60.....159.95
- B13A805E 68-69, without cruise control.....99.95

**13A807 Spring, Horn Ring**

- B13A807A 58-60.....3.95
- B13A807E 68-69.....5.75

**13A809 Medallion, Horn Ring**

- B13A809A 58-59, black .....28.95
- B13A809B 60, white.....28.95

**13A821 Horn Brush**

- B13A821A 61-63, 1 required, 64-66, 2 required.....10.95

**13832 Horn Assembly**

- 13832D 58-72, high pitch .....34.95
- 13833D 58-72, low pitch .....34.95

**13853 Relay, Horn**

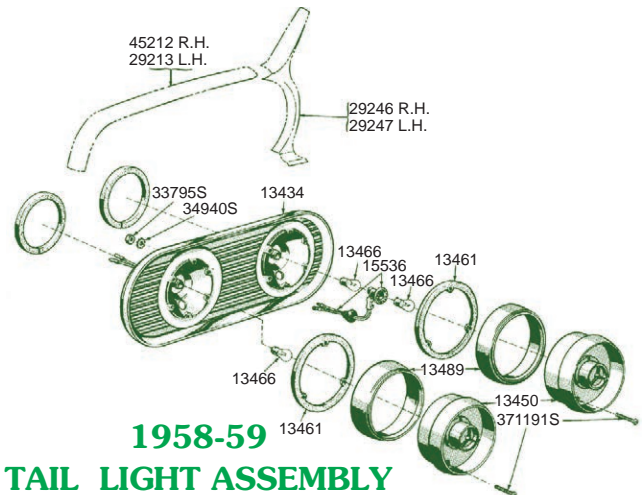
- 13853C 58-63 / 66, with cruise.....29.99
- B13853B 64.....24.95

**13A875 Horn Contact Strip**

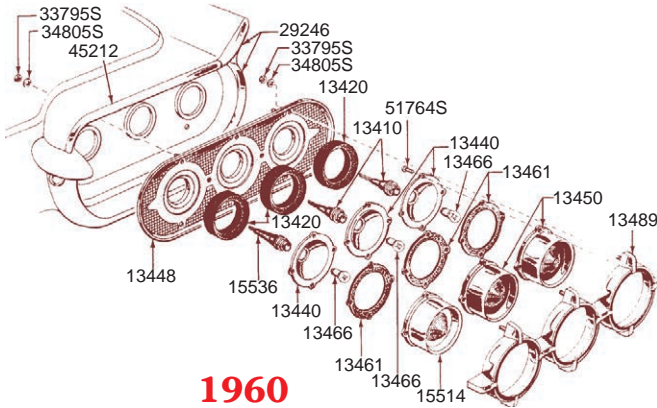
- B13A875A 68-69.....149.95

**14A005 Wire Harness, Fuse Panel to Main Harness**

- B14A005A 64, hardtop, without air conditioning .....890.00
- B14A005F 65, hardtop, with air conditioning.....950.00



**1958-59 TAIL LIGHT ASSEMBLY**  
For illustration purposes only



**1960**

## TAIL LIGHT ASSEMBLY

For illustration purposes only

**BLIT2 Wiring Diagrams:** Complete color guide to wiring.

<b>BLIT2A</b> 1958.....	<b>7.00</b>	<b>BLIT2G</b> 1964.....	<b>7.00</b>
<b>BLIT2B</b> 1959.....	<b>7.00</b>	<b>BLIT2H</b> 1965.....	<b>7.00</b>
<b>BLIT2C</b> 1960.....	<b>7.00</b>	<b>BLIT2I</b> 1966.....	<b>7.00</b>
<b>BLIT2D</b> 1961.....	<b>7.00</b>	<b>BLIT2J</b> 1967.....	<b>8.95</b>
<b>BLIT2E</b> 1962.....	<b>7.00</b>	<b>BLIT2K</b> 1968.....	<b>8.95</b>
<b>BLIT2F</b> 1963.....	<b>7.00</b>		

**BLIT7 Electrical Assembly Manual:**

<b>BLIT7B</b> 1959.....	<b>17.00</b>	<b>BLIT7F</b> 1963.....	<b>17.00</b>
<b>BLIT7C</b> 1960.....	<b>17.00</b>	<b>BLIT7G</b> 1964.....	<b>17.00</b>
<b>BLIT7D</b> 1961.....	<b>17.00</b>	<b>BLIT7H</b> 1965.....	<b>17.00</b>
<b>BLIT7E</b> 1962.....	<b>17.00</b>	<b>BLIT7I</b> 1966.....	<b>17.00</b>



**B14A033A**



**B14A033B**



**B14A033C**

### 14A033 Power Bar Strap, Power Window Switch

B14A033A	58-60, 1 1/16" long with 3/8" tab at 90°, 2 required.....	2.95
B14A033B	61-62, 4 1/8" long with 5/8" tab at 90°, 1 required.....	3.95
B14A033C	63-66, 1 5/8" long with 5/8" tabs at 90°, 2 required.....	3.50

### 14A163 Retainer, Wiring Harness, Convertible Top

B14A163B	63-70.....	5.95
----------	------------	------

### 14183 Escutcheon, 1/4 Window or Power Top Switch

B14183A	61-63, 1/4 window	
	61-62 RH door, top control.....	10.35

### 14A200 Harness, Window Safety Relay

B14A200B	61-62.....	
B14A200D	65-66.....	45.00

### 14276 Wire Loom, Convertible Deck

B14276A	60.....	372.00
B14276B	61-63.....	360.00
B14276C	64-66.....	347.00

### 14289 Wire Loom, Dash to Sending Units

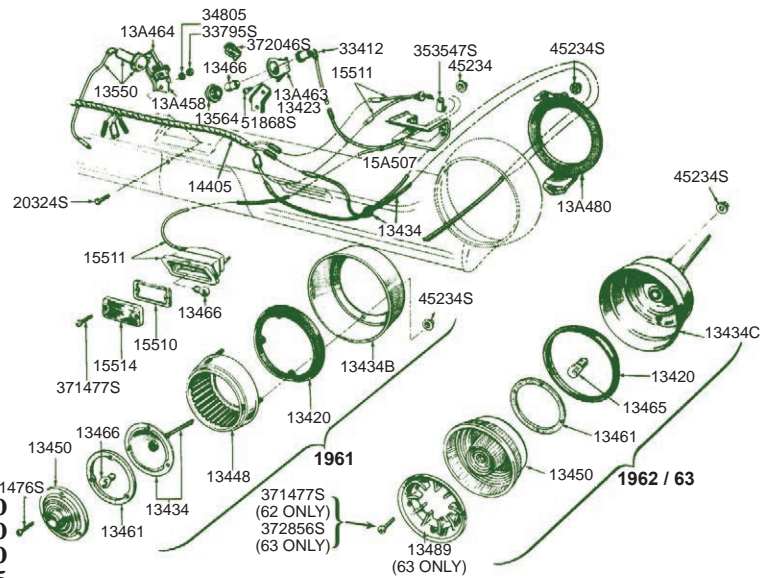
B14289A	58-59, 352 without air conditioning.....	160.95
B14289B	58-59, 352 with air conditioning.....	210.00
B14289E	60, 352 without air conditioning.....	180.00
B14289F	60, 352 with air conditioning.....	200.95

### 14290 Firewall to Headlight, Generator and Voltage

#### Regulator Wire Harness Pigtails

B14290A	58.....	286.00
B14290AA	58.....	286.00
B14290B	59.....	270.00
B14290C	60.....	266.00
B14290D	61.....	425.00
B14290E	62.....	429.95
B14290F	63.....	450.00
B14290G	64 with air conditioning.....	540.00
B14290H	64 without air conditioning.....	536.00
B14290I	65 with air conditioning.....	550.00
B14290J	65 without air conditioning.....	525.00
B14290K	66.....	600.00

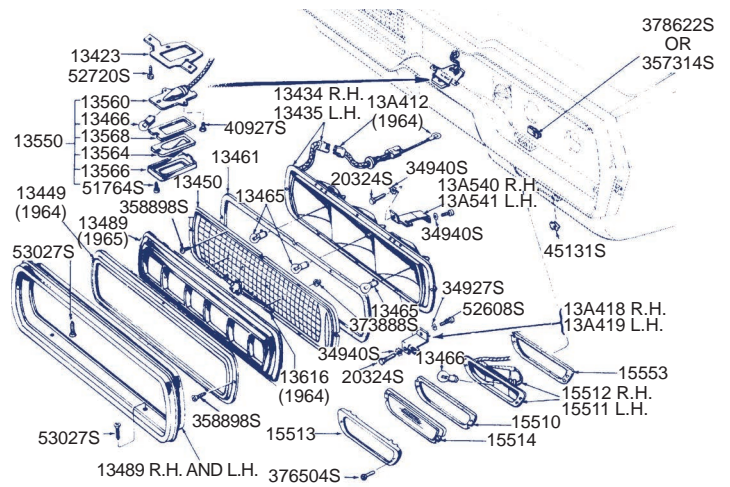
•• **NOTE** •• Must purchase B14305 for harness from pigtail to voltage regulator and alternator.



**1961-63**

## TAIL LIGHT ASSEMBLY

For illustration purposes only



**1964-65**

## TAIL LIGHT ASSEMBLY

For illustration purposes only

### 14300-14301 Cable, Battery

14300B	58-62, to ground.....	26.95
B14300B	63-66, to ground.....	29.95
14301C	58-66, to relay.....	21.75
B14300C	67-71, to ground.....	13.50
B14301C	67-71, to relay.....	10.95
B14300-1A	58, exact reproduction, set of 3.....	74.95
B14300-1B	59-60, exact reproduction, set of 3.....	74.95
B14300-1C	61, exact reproduction, set of 3.....	74.95
B14300-1D	62, exact reproduction, set of 3.....	74.95
B14300-1E	63, exact reproduction, set of 3.....	74.95
B14300-1F	64-65, exact reproduction, set of 3.....	74.95
B14300-1G	66, exact reproduction, set of 3.....	74.95



14302B



14304D



14304E

**14302 Grommet, Starter Cable Bracket**

14302B 58-60.....4.75

**14303 Cable, Firewall to Engine Ground**

B14303A 66.....9.95  
 B14303B 58-60, 352.....9.15  
 B14303C 59-60, 430.....10.25  
 B14303D 61-62.....8.50

**14A303 Wire Loom, Brake Relay**

B14A303A 64.....102.00

**14304 Bracket, Starter Cable**

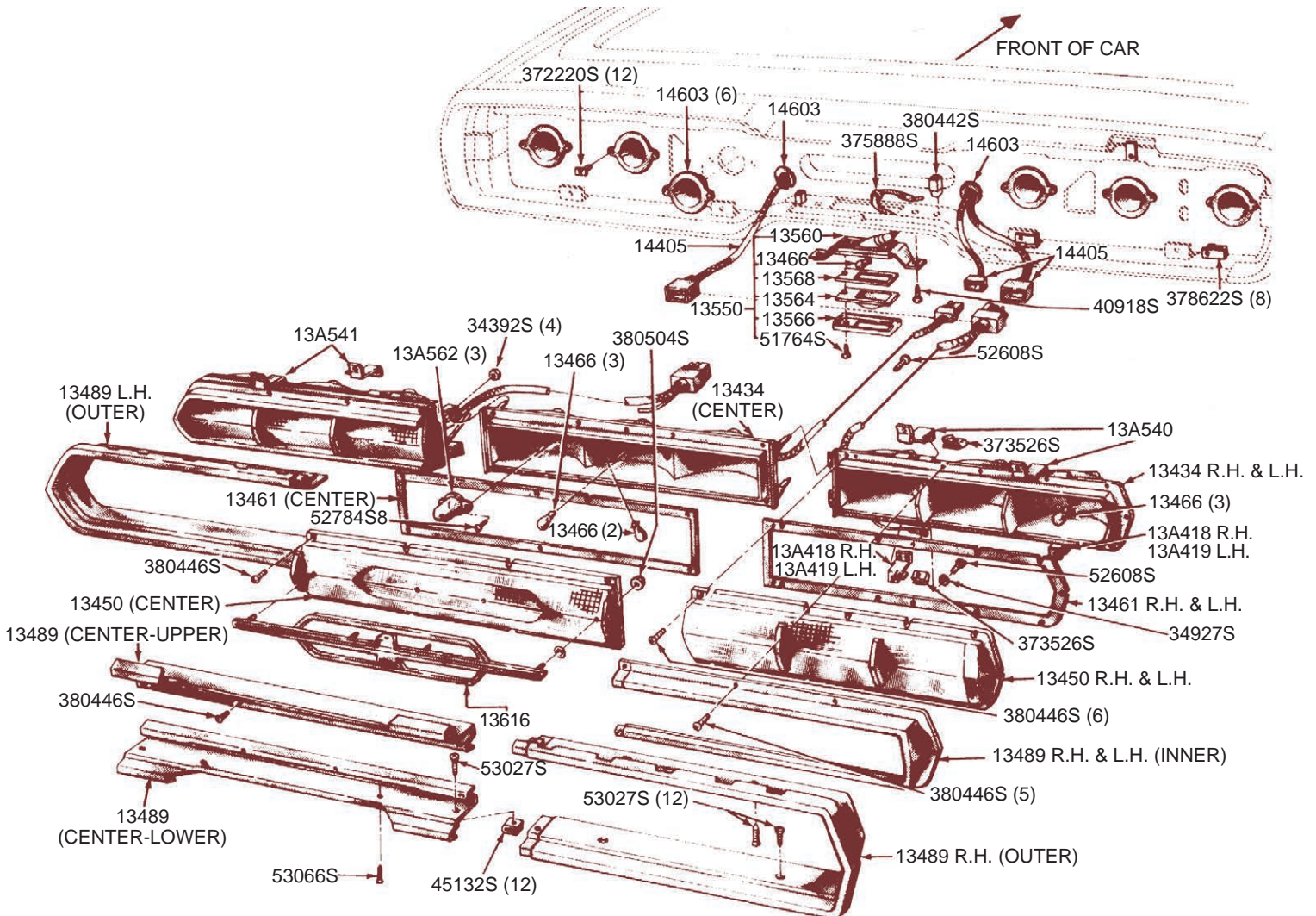
14304D 58-60, small hole.....5.50  
 14304E 58-60, large hole.....5.50

**14305 Wire Loom, Alternator/Generator to Voltage Regulator and Main Harness**

B14305A 60, 430.....50.00  
 B14305B 61-62.....52.00  
 B14305C 63.....99.95  
 B14305D 64, without air conditioning.....151.00  
 B14305E 64, with air conditioning.....152.00  
 B14305F 65, without air conditioning.....150.00  
 B14305G 65, with air conditioning.....153.00  
 B14305H 66.....69.95

**1966 TAIL LIGHT, BACK UP LIGHT AND LICENSE PLATE LIGHT ASSEMBLY**

For illustration purposes only

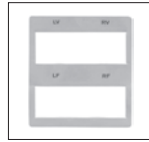




**B14A307B**



**B14A307C**



**B14A307D**

<b>14A307 Finish Plate, Power Window Switch Housing, Console</b>	
B14A307B	64-66, with front & rear power.....14.95
B14A307C	64-66, with vent, front & rear power.....14.95
B14A307D	66, with vent & front power.....14.95

<b>14322 Wire, Oil Sending Unit</b>	
B14322A	61-63.....11.75
B14322C	65-66.....10.95

<b>14401 Wiring, Instrument Panel</b>	
B14401A	58.....685.00
B14401B	59, with stop light relay.....688.95
B14401C	60.....693.50
B14401H	64 before 4/1/64, with A/C and points.....575.95
B14401D	61-62, dash to firewall.....966.00
B14401E	63, dash to firewall.....905.00
B14401G	64, with transistor ignition, dash to main harness.....595.00
B14401H	64 after 4/1/64, convertible.....575.95
B14401I	65, dash to main harness.....620.00

<b>14405 Wire Harness, Dash Harness to Taillight Harness</b>	
B14405A	58-59, hardtop.....284.00
B14405B	58-59, convertible, without brake relay.....439.00
B14405C	60, hardtop.....362.00
B14405D	59-60, convertible.....580.00
B14405E	61-62 hardtop.....370.86
B14405F	61-62, convertible.....498.00
B14405I	64, hardtop.....447.00
B14405K	65, hardtop, from 9/15/64.....815.00
B14405L	65, convertible.....836.00

<b>14406 Wiring, Fuel Sending Unit</b>	
B14406C	64-66, without low fuel warning.....54.00
B14406D	64-66, with low fuel warning.....57.50

<b>14412 Wire Pigtail, Glove Box Light</b>	
B14412C	65-66.....31.95

<b>14429 Fuse, Cigarette Lighter</b>	
14429	58-60.....20.00

<b>14431 Cable, Starter to Relay</b>	
B14431A	58-60, 49" long.....39.95
B14431E	61-66, 51" long.....24.95

<b>14448 Junction Block</b>	
B14448B	65-66, convertible, single terminal.....28.95

<b>14512 Relay, Top Control</b>	
B14512B	63-66, from 9/15/62, top or 64 brake light circuit...52.95

<b>14522 Light Sockets</b>	
B14522A	64, low fuel light.....28.50
B14522B	64, door ajar.....28.50
B14522C	64, emergency flasher.....28.50

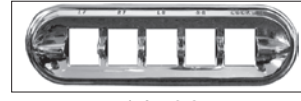
<b>14524 Plate, Power Window Switch</b>	
B14524C	61-62, left door.....12.95
B14524D	61-62, right door and power top, 61-63, rear 1/4 window 7.25

<b>14526 Fuse Kits</b>	
B14526AK	58-59, 5 fuses.....3.95
B14526CK	60, 7 fuses.....4.25
B14526DK	61, 5 fuses.....3.95
B14526EK	62, 8 fuses.....4.95
B14526FK	63, 6 fuses.....3.95
B14526GK	64, 7 fuses.....4.95
B14526HK	65, 6 fuses.....3.95
B14526IK	66, 10 fuses.....4.95
B14526JK	67, 9 pieces.....4.95
B14526KK	68, 12 pieces.....5.95

<b>14526 Circuit Breaker</b>	
B14526A	61-62, convertible, 50 amp.....32.95
B14526B	63-66, convertible, 60 amp.....55.25
B14526C	58-66, air conditioning.....9.95
B14526D	10 amp.....10.95
B14526E	15 amp.....10.95
B14526F	20 amp.....14.95
B14526G	30 amp.....10.95
B14526M	Mallory circuit guard surge protector mounts to electronic distributor.....81.50



**14528A**



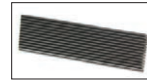
**B14528B**



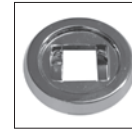
**B14528C**



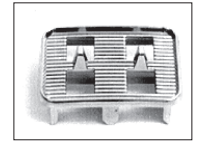
**B14528D**



**B14528E**



**B14528G**



**B14528R**

<b>14528 Housing, Electrical Switch</b>	
14528A	61-62 RH door, 1/4 window or top control.....24.95
B14528B	61-62, left door, multi-switch.....52.95
B14528C	63, console, 2 switch housing, 2 required.....17.95
B14528D	64-66, console, 5 hole housing.....45.25
B14528E	Plate, 66 lockout cover.....13.95
B14528F	63, rear 1/4 window.....23.50
B14528G	64-66, rear 1/4 window.....23.50
B14528H	67, console, 5 switch housing.....75.00
B14528R	58-60, console.....27.25



**B14529AL**



**B14529BL**



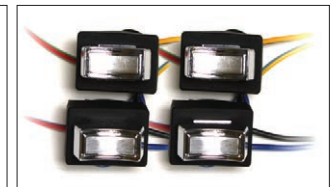
**B14529D**



**B14529J**



**B14529K**



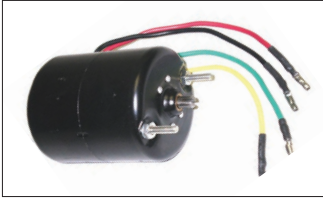
**B14529L**

<b>14529 Switch, Power Windows</b>	
B14529AL	58, left front or right rear, black button.....42.95
B14529AR	58, right front or left rear, black button.....42.95
B14529BL	59-60, left front or right rear, white button.....42.95
B14529BR	59-60, right front or left rear, white button.....42.95
B14529C	61-62, all except lockout, chrome button.....42.95
B14529D	63, rear 1/4 window, chrome button, rear.....42.95
B14529E	64-66, rear 1/4 window, chrome button, rear.....42.95
B14529J	68-69, RH or LH rear door or 1/4 window.....65.00
B14529K	69-71, LH front dual switch with wiring.....140.00
B14529L	69-71, LH front quad switch with wiring.....210.00
B14529M	69-71, single wire type.....85.00
•• NOTE ••	See 14632 for 63-66 power window console switches
•• NOTE ••	See 14540 for 62 / 64-66 power window lockout switches

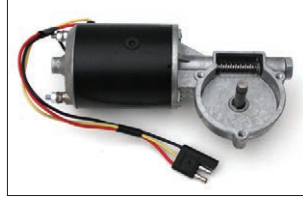


**B14540C**

<b>14540 Lockout Switch, Power Windows</b>	
B14540C	61-62, door.....42.95
B14540E	64-66, console.....46.95



14547B



B14553E

**14547 Motor Assembly, Power Seat**

14547B 58-60, 4 bullet ends.....249.95

•• NOTE •• For couplers see 23279 and 23440.

**14553 Motor Assembly, Power Window**

14553B 58-60, door & rear window.....249.95

B14553B 61-62, door, 4 wire square plastic plug.....249.95

B14553C 62-64, door, 3 wire flat rubber plug.....249.95

B14553D 62-63, rear window, 3 wire flat rubber plug.....249.95

B14553E 65-66, door, RH, with gear housing (without gear) ..249.95

B14553F 65-66, door, LH, with gear housing (without gear) ..249.95

B14553G 64-66, rear window, RH, with gear housing (without gear).....249.95

B14553H 64-66, rear window, LH, with gear housing (without gear).....249.95

B14553K 61-62, rear window, 4 wire plastic plug.....249.95

B14553L 67-71, right front or rear, with gear and plate.....124.95

B14553M 67-71, left front or rear, with gear and plate.....124.95

14553W 4 wire extension set.....7.95

•• NOTE •• For couplers see 23440

•• NOTE •• See B23396A for gasket & B23396B for nylon plate

•• NOTE •• See B234A24B for gear

**14554 Gasket, Power Window Switch**

14554 61-62.....3.30

B14554B 63, rear 1/4 window housing foam gasket.....1.95



14570



B14570BR



B14570CR

**14570 Clip, Window Switch**

14570 58-62.....2.00

B14570B 64-66.....2.00

B14570C 58-66, 1/2 clip.....2.00

B14570E 63-66, at quarter panel.....2.00

•• NOTE •• **Window Switch Clip Application Guide**

58-60, console housing requires 4-B14570A and 4-B14570C

61-62, LH door housing requires 6-B14570A and 4-B14570C

61-62, RH door or 1/4 housing requires 2-B14570A for each

63, console housing requires 8-B14570C

63, 1/4 window housing requires 2-B14570E for each

64-66, 5 switch housing requires 3-B14570B and 8-B14570C

64-66, 7 switch housing requires 3-B14570B and 12-B14570C

66, 4 switch housing requires 3-B14570B and 8-B14570C

64-66, 1/4 window switches require 3-B14570E for each



14608



B14608A

**14608 Retainer, Cowl Wiring Grommet**

14608 58-60, metal retainer.....14.95

B14608A 58-60, rubber grommet.....2.95

**14618 Wire, Seat Relay Extension**

B14618A 58-60.....29.00

B14618B 61-63.....25.10

B14618E 64, LH seat.....24.00

**14630/14631 Wire Loom, Power Window, In Door**

B14630A 58-60, RH.....153.00

B14631A 58-60, LH.....207.00

B14630B 61-62, RH.....130.18

B14631B 61-62, LH.....398.82

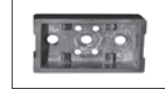
B14631C 63.....556.00

B14631D 64, door and 1/4 window.....552.00

B14631E 65-66, door without power vents, 2 sides.....258.00



B14632G



B14632HSG

**14632 Switch, Power Windows, in Console**

B14632D 63, rear, 3 wire.....42.95

B14632E 63, front, 2 wire.....42.95

B14632F 64-66, console, 2 wire.....42.95

B14632G 64-66, console, 3 wire.....42.95

B14632HSG 66, plastic switch housing only when lockout switch not used.....2.95

•• NOTE •• See also 14A033 for power bar straps

•• NOTE •• See also 14529 for door and 1/4 switches

•• NOTE •• See also 14540 power window lockout switches

**14644 Wire Loom, Power Window, In Quarter Panel**

B14644A 58-60, RH.....82.00

B14644B 58-60, LH.....82.00

B14644C 63.....237.50

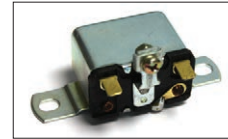
B14644D 61-62, does both sides.....317.58

B14644F 65-66, 1/4 without power vents.....370.00

B14644G 65-66, 1/4 with power vents.....440.00

**14651 Grommet, Inner Apron Wiring Hole**

14651 58-60.....3.95



B14677A

**14677 Relay Assembly, Electric Window Safety**

B14677A 61-66.....55.95

•• NOTE •• See B14A200 for harness.

**14678 Wire, Window Relay to Circuit Breaker**

B14678A 58-59.....35.00

**14679 Wire, Starter Solenoid to Window Relay**

B14679A 58-59.....10.30

**14682 Wire, Power Window Feed**

B14682A 58-60, starter relay to window relay.....14.50

**14690 Seat Switch Bezel**

B14690C 64-66.....29.95

**14B691 Retainer, Power Seat Switch**

B14B691 61-63.....6.50

**14A697 Power Seat Regulator Feed Harness**

B14A697B 61-62.....109.10



B14A701DR

**14A701 Switch, Power Seat**

B14A701AR 58, black knob.....85.95

B14A701BR 59-60, white knob.....85.95

B14A701CR 61 early 62, 4 wire & 3 wire plugs with chrome knob.....85.95

B14A701DR 62-63, 3 wire and 2 wire plugs with chrome knob.....85.95

B14A701ER 64-65, 3 wire and 2 wire plugs with chrome knob.....85.95

**14785 Wire, Ignition Switch to Window Relay**

B14785A 58-60.....8.30

**14931 Headlight ON Buzzer**

B14931A Aftermarket buzzer, wires into headlight switch, with instructions.....19.95



**B15000BX**



**B15000DX**

**15000 Clock, Quartz**

B15000AQ	58, We quartz your clock .....	250.00
B15000BQ	59-60, We quartz your clock .....	250.00
B15000CQ	61-63, We quartz your clock .....	285.00
B15000DQ	64-66, We quartz your clock .....	229.95
B15000EQ	67, We quartz your clock .....	250.00
B15000FQ	68-71, We quartz your clock .....	229.95

•• NOTE •• Does not include replacement of stem, hands, or faces.

**15026 Wire, Clock**

B15026A	58-60 feed wire with fuse holder .....	30.74
B15026B	58-60 clock light socket .....	18.90
B15026F	64 .....	43.94



**B15052D**



**B15052CCK**



**B15052A**



**B15052CG**



**B15052W**



**B15052S**

**15052 Cigarette Lighter**

B15052A	58, black with silver, knob only .....	5.00
B15052B	59, white with gold, knob only .....	6.00
B15052C	60, white with silver, knob only .....	5.00
B15052CC	60, chrome bezel, clear letters .....	19.95
B15052CG	60, chrome bezel, green letters .....	19.95
B15052AK	58, clear letters, includes element and knob .....	34.95
B15052BK	59, clear letters, includes element and knob .....	34.95
B15052CCK	60, clear letters, includes element and knob .....	34.95
B15052CGK	60, green letters, includes element and knob .....	34.95
B15052D	61-66, includes element and chrome knob .....	25.95
B15052W	58-60, washer .....	2.40
B15052AS	58-60, shaft .....	1.95

**15054 Element, Cigarette Lighter**

15054B	58-71 .....	10.50
--------	-------------	-------

**15055 Socket and Element, Cigarette Lighter**

15055	58-63 .....	18.95
-------	-------------	-------

**15059 Outer Bezel, Chrome, Cigarette Lighter**

15059	58-60 .....	21.99
-------	-------------	-------

**15A209 Gasket, Front or Rear Marker Light**

B15A209A	68-69, front fender lens .....	3.85
B15A209C	69, rear quarter panel lens .....	3.35
B15A209E	69-71, rear quarter panel light housing .....	2.25

**15220 Bulb, Fog Light**

B15220A	60-66, clear .....	13.75
B15220B	60-66, amber .....	15.80

**15A440 Rear Marker Light Bezel**

B15A440C	69 .....	14.95
----------	----------	-------

**15510 Gasket, Backup Light Lens**

B15510A	61-63 .....	3.20
B15510B	64-65 .....	3.20
B15510C	69 .....	3.75

**15511/12 Housing, Backup Light**

B15511-12B	61-63, pair .....	229.95
------------	-------------------	--------

**15513 Door, Backup Light**

B15513B	64-65 .....	27.95
---------	-------------	-------

**15514 Lens, Backup Light**

B15514A	61-63 .....	7.50
B15514B	64-65 .....	24.95
B15514C	60 .....	34.95

**15520 Switch, Backup Light**

15520	58-60, standard transmission .....	20.95
-------	------------------------------------	-------

**15533 Gasket, Backup Light to Body**

B15533B	64-65 .....	2.20
---------	-------------	------

**15536 Wire Pigtail, Backup Light**

B15536C	64-65 .....	34.95
13411D	58-60, without socket, pair .....	24.95

**15A657 Top Switch Harness**

B15A657B	61-62 .....	40.18
----------	-------------	-------

**15A659 Wire Loom Convertible Relay**

B15A659A	60, with 10 relays .....	499.95
B15A659B	61-63 .....	584.00
B15A659C	64-66 .....	584.00

**15668 Switch, Convertible Top**

B15668B	61-62 .....	49.95
B15668D	64-66 .....	69.95

**15A668 Wire Harness, Convertible Top Relay**

B15A668A	65-66, picks up top control relay, circuit breaker and RH bakelite junction block, runs from LH dash, across firewall and down RH inner fender, without air conditioning ..	107.00
B15A668B	64-65, as above with air conditioning .....	131.00

**15672 Relay, Top Control**

B15672A	61-66, 3 post, 4 used in circuit, C1SF-A .....	59.95
B15672B	64-66, 3 post, 4 used in circuit, C2VB-A .....	59.95
B15672C	60, 3 post, used in 10 relay system, B9SF-A .....	59.95
B15672D	60-63, 4 used in circuit, C0SF-D 2 post .....	59.95
B15672E	60, RH, solenoid relay, 3 post with bracket .....	59.95
B15672F	60, LH, solenoid relay, 3 post with bracket .....	59.95

**15672 Kit - Electronic Relay Package**

Set of 8 electronic relays, 2 heavy duty solenoids and step-by-step instructions. This package replaces existing relays and solenoids and has a 1 year warranty.

B15672AK	58-60 .....	750.00
B15672BK	61-63 .....	750.00
B15672CK	64-66 .....	750.00

**15674 Handle, Convertible Top Switch**

B15674A	60, chrome .....	18.00
---------	------------------	-------

**15A674 Switch, Convertible Limit**

B15A674C	64-66, upper back panel, electronic .....	425.00
B15A674CX	64-66, upper back panel, rebuilt .....	375.00

•• CORE •• Core must be sent first.

**15682 Solenoid, Convertible Top**

B15682A	59-63, 3 required .....	188.95
B15682B	64-66, 3 required .....	188.95

**15A689 Wire, Power Window Relay to Breaker**

B15A689A	60 .....	8.25
----------	----------	------

**15690 Motor, Convertible Top Assembly**

B15690C	59-62, package flip tray, 4 wire square plug, <b>new</b> ..	174.95
B51690D	63, package flip tray, 4 wire to 3 wire flat plug, <b>new</b>	174.95
B15690E	64-66, package flip tray, 3 wire flat plug, <b>new</b> .....	174.95

**15A700 Light Kit, Engine or Trunk**

B15A700A	58-71, accessory .....	29.95
----------	------------------------	-------

**406A10 Cylinder, Convertible Deck Lid, Hydraulic**

B406A10A	60, 2 required .....	129.00
B406A10B	61-62, early, 2 1/4" diameter, 2 required .....	129.00
B406A10C	62-63, late style, 1 3/4" diameter, 2 required .....	129.00
B406A10DR	64, RH .....	129.00
B406A10DL	64, LH .....	129.00
B406A10E	65-66, 2 required .....	129.00

**50600 Cylinder, Convertible Top Hydraulic**

B50600A	58-59, 2 required .....	129.00
B50600B	60, RH .....	129.00
B50600C	60, LH .....	129.00
B50600D	61-62, 2 required .....	129.00
B50600E	63, 2 required .....	129.00
B50600F	64-66, 2 required .....	129.00

**533A00 Motor Assembly, Convertible Hydraulic Lift Pump Kit**

B533A00B	58-66, pump and motor, with reservoir can .....	289.00
----------	---	--------

**53456 Hose Sets, Convertible Top**

B53456A	58-59, 2 required .....	129.95
B53456B	60, 5 pieces .....	295.00
B53456C	61-62, early, 2 1/4" diameter lid cylinder, 5 pieces ..	295.00
B53456D	62-63, late, 1 3/4" diameter lid cylinder, 5 pieces ..	295.00
B53456E	64-66, 5 pieces .....	295.00



- 16026 Bracket, Convertible Cowl Tube**  
 B16026 64-66, pair ..... 29.95  
**16036-16037 Molding, Front Fender, Top, Stainless**  
 B16036R 61-63, RH ..... 105.00  
 B16037R 61-63, LH ..... 105.00  
**BHK36** 61-63, clips only, 16 pieces, 1 molding ..... 31.95  
 •• NOTE •• For quarter panel stainless, see 291A24 and 29140  
**16A076 Y Clip, Molding**  
 B16A076 61-63, front fender or rear quarter panel ..... 3.95



- 16098 Name Plate, "THUNDERBIRD"**  
 16098 58, front fender  
 59, door  
 61-62, front fender  
 59-60, continental kit ..... 26.50

- NOTE •• For other applications see 25622 and 20978  
**HWK28** Barrel nuts to mount B16098A, 5 pieces, 1 side ..... 1.35  
**16102-16103 Splash Shield, Front Fender**  
 B16102B 58-60, RH, rear ..... 99.00  
 B16103B 58-60, LH, rear ..... 99.00  
**16137 Seal, Radiator Support to Radiator**  
 B16137A 58-60, pair ..... 9.95  
**16170 Weatherstrip, Fender Splash Shields**  
 B16170B 58-60, front and rear, 6 pieces, 2 sides ..... 34.95  
 B16170C 61-63, 14 pieces 2 sides ..... 55.95  
 B16170D 64-66, 10 pieces 2 sides ..... 60.95



**B16178A**



**B16178B**



**B16178C**

- 16178 Ornament, Fender Top**  
 B16178A 60 ..... 64.95  
 B16178B 59 ..... 64.95  
 B16178C 58 ..... 64.95  
**16179 Gasket, Fender Top Ornament**  
 B16179 60 ..... 5.95



**B16228R**



**B16228A**

- 16228/9 Ornament, Fender**  
 B16228A C and feathers, 65, RH ..... 99.00  
 B16228R 62-64, Roadster emblem ..... 28.95  
 B16229A C and feathers, 65, LH ..... 99.00  
**BHK62A** 65, C and feathers to fender, 15 pieces, 1 side ..... 4.15  
**16A238 Seal, Hood to Radiator Support**  
 B16A238 64-66 ..... 7.75  
**16240 Seal, Fender Apron Splash Shield**  
 B16240D 67-71, pair ..... 49.95  
**16298 Convertible Cowl Reinforcement Tubes**  
 B16298 64-66, pair ..... 69.95



**B16304KIT**

- 16304-16305-17A970 Rubber Pad, Fender to Bumper**  
 B16304-5A 58-60, front, pair ..... 15.00  
 B16304-5R 61-63, front pair ..... 89.95  
 B16304KIT 61-63, front & rear, set of 4 ..... 210.95  
 B17A970 61-63, rear, pair ..... 0.00

- 16311 Retainer, Fender Weatherstrip**  
 B16311A 58-60, holds 16304/5AR, "V" seals ..... 7.95

# THUNDERBIRD

- 16606 Letters, Hood**  
 B16606K 64, set of 11 ..... 39.95  
**16607 Ornament, Hood Emblem Plastic Insert**  
 B16607B 61-63 ..... 26.95

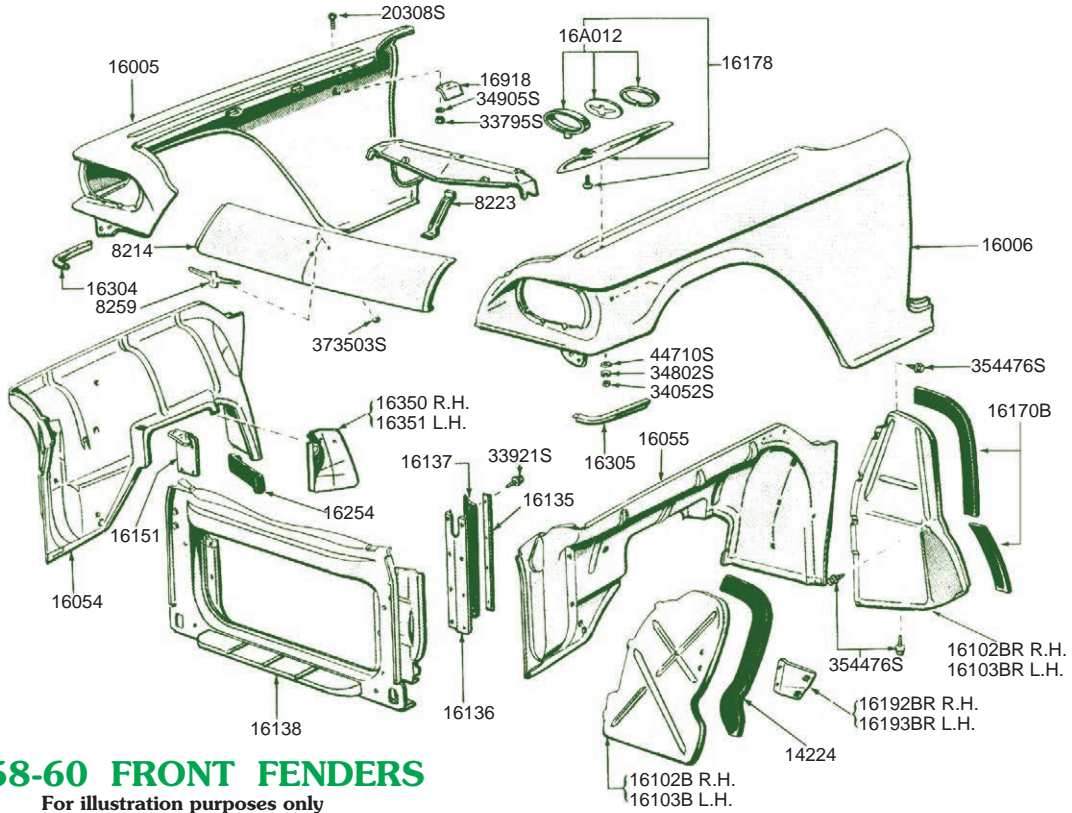


**B16637B**

- 16637 Emblem, Hood**  
 B16637B 65 ..... 55.95  
 B16637C 66, "V" ..... 78.95

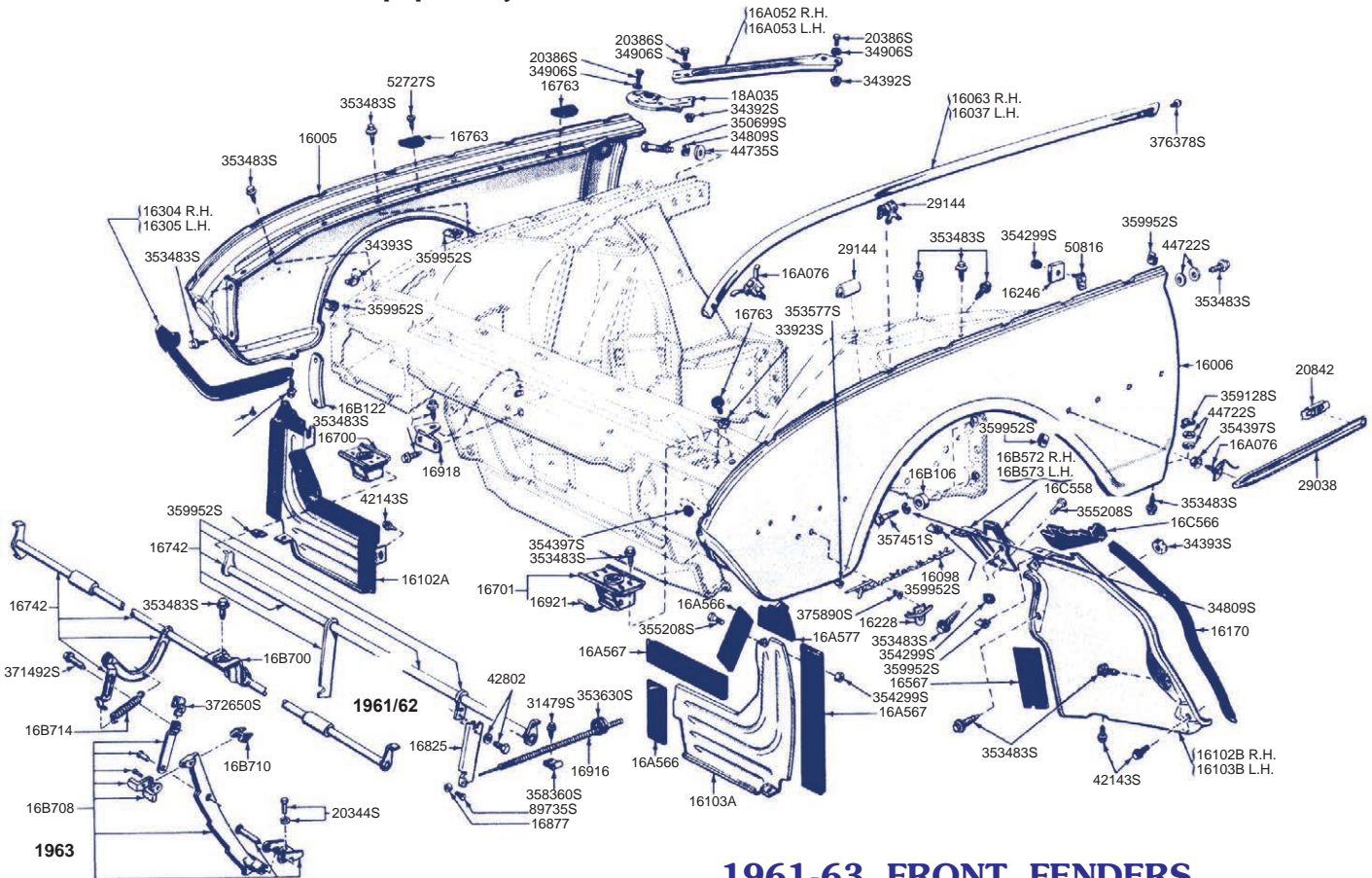
## Other Emblems

- 8213 Grill Emblem**  
 B8213A 66, complete grill Thunderbird ..... 139.95  
**8259 Ornament, Nose Panel**  
 B8259A 58-59, also Continental Kit ..... 33.50  
 B8259B 60 ..... 40.95  
**17B850 Emblem, Rear Bumper**  
 B17B850B 64, emblem ..... 48.95  
 B17B850C 65, emblem ..... 52.95  
**20980-20981 Ornament, Door**  
 B20980AA 58, 10 required ..... 19.95  
 B20980A 63, RH, 3 required ..... 26.95  
 B20981A 63, LH, 3 required ..... 26.95  
 B20980B 59, spear, pair ..... 169.95  
**25622 Nameplate, "THUNDERBIRD"**  
 B25622A 63-64 ..... 34.95  
 B25622B 65-67 ..... 34.95  
 •• NOTE •• For other applications see 16098 and 20978  
**28984 Ornament, Quarter Panel**  
 B28984AK 60, early style, with screw holes, 9 pieces, 1 side ..... 114.95  
 B28984BK 60, late style with pins, 9 pieces, 1 side ..... 114.95  
**43501 Trunk Lid Ornament Assembly**  
 B43501AK 58-59, hard top ..... 79.95  
 B43501ACK 58-59, convertible ..... 104.95  
 B43501BK 60, hard top ..... 99.95  
 B43501BCK 60, convertible ..... 109.95  
 B43501CK 61-63 hardtop, includes 43500C, 43516C, 43567C, 351548S, and 356164S.  
 Does not include 42514 plastic insert ..... 84.95  
 B43501CCK 61-63, convertible ..... 96.95  
 B43501EK 64, base, lid, hinge and insert ..... 79.95  
 B43501FK 65-66, base, lid, hinge and insert ..... 79.95  
**517A18 Side Roof Ornaments / Landau Bars**  
 B517A18A Thunderbird emblem, 64, all with painted roof .... 44.95  
 B517A18B Thunderbird emblem, 66, all with painted roof .... 44.95  
 B517A18C Thunderbird emblem, 65, all with painted roof .... 44.95  
**517A20 Plastic Emblem, Roof Side**  
 B517A20A 58 / 62-63 Landau, emblem only, black ..... 24.95  
 B517A20BR 58, bezel and emblem, pair ..... 92.95  
 B517A20C 61-63, non-Landau ..... 20.95  
 B517A20D 66, Landau, emblem only ..... 24.95  
 B517A20F 62-63, Landau, emblem only, white ..... 24.95  
 B517A20GB 64, Landau, black ..... 30.95  
 B517A20GW 64, Landau, white ..... 30.95



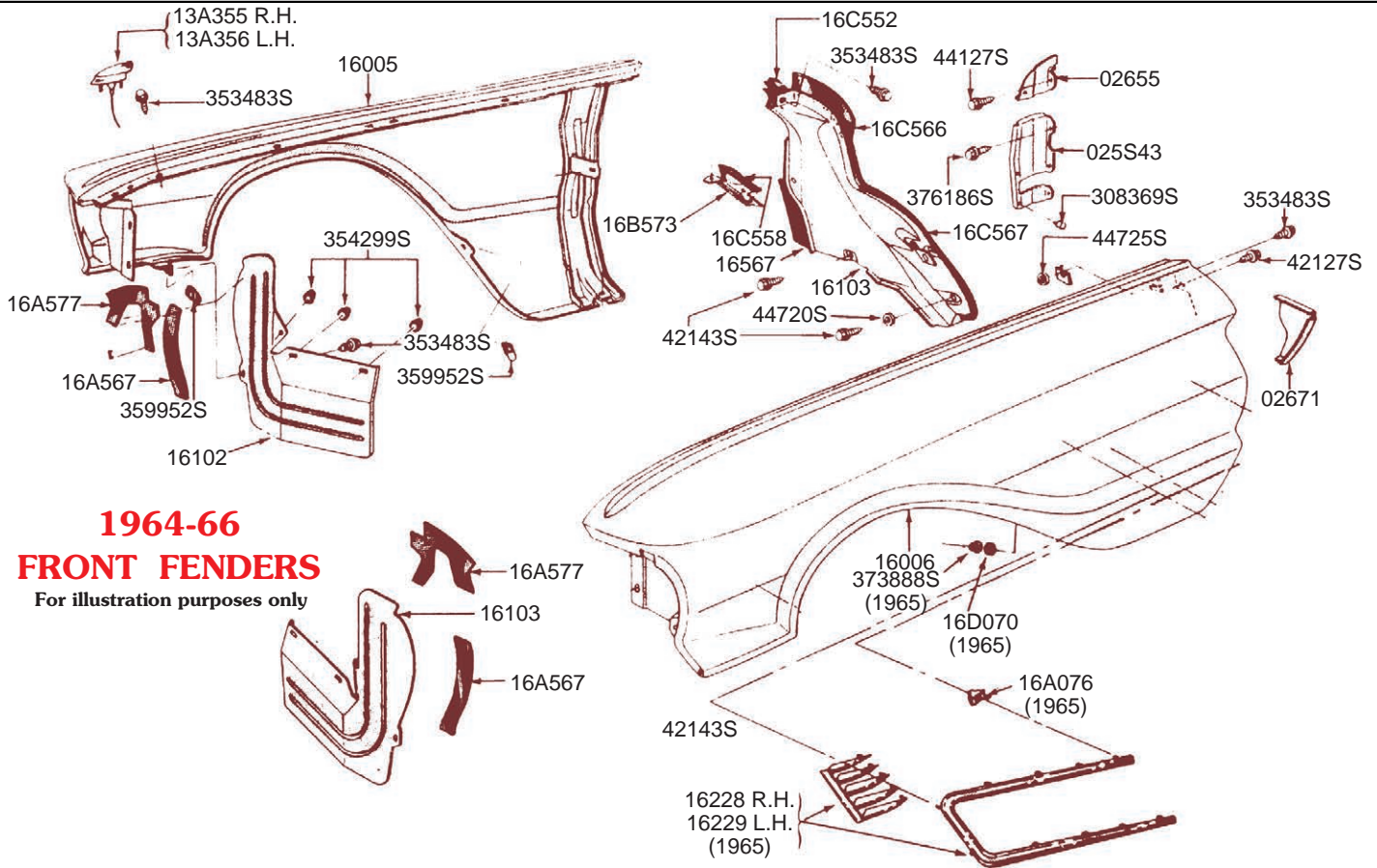
## 1958-60 FRONT FENDERS

For illustration purposes only



## 1961-63 FRONT FENDERS

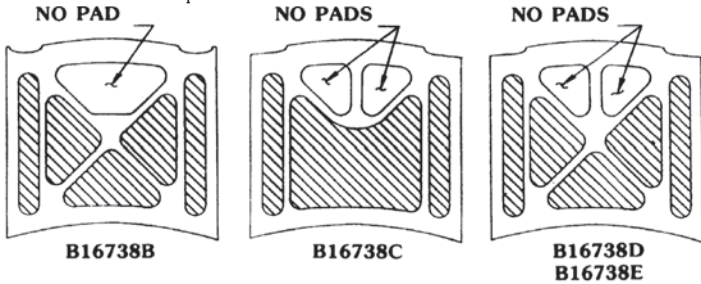
For illustration purposes only



**1964-66  
FRONT FENDERS**  
For illustration purposes only



- 16644 Emblem, Hood**  
 B16644A 61-63.....40.50  
 .. NOTE .. For plastic insert see 16607



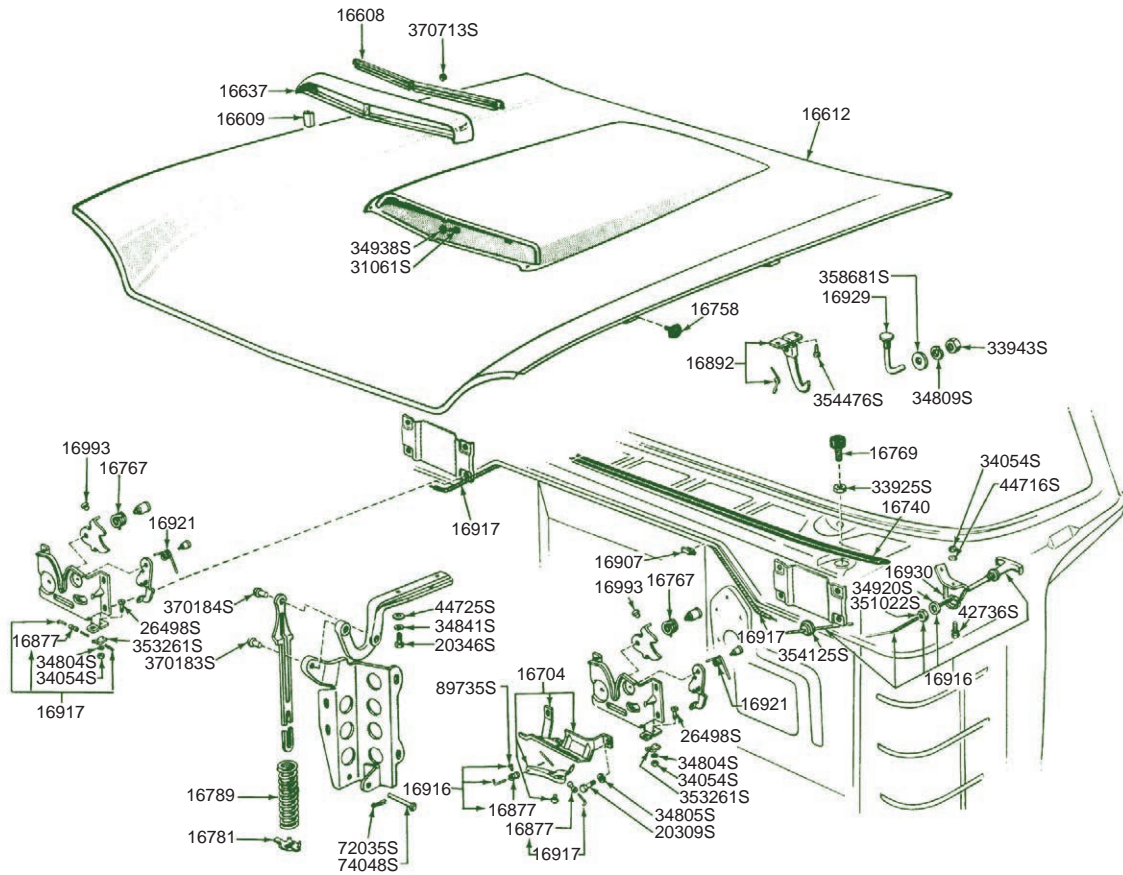
**HOOD REPLACEMENT PADS**

- 16738 Insulator, Hood**  
 B16738A 58-60, 6 piece set.....53.95  
 B16738B 61-63, 5 piece set.....53.95  
 B16738C 64-65, 3 piece set.....53.95  
 B16738D 65, 5 piece set.....53.95  
 B16738E 66, 5 piece set.....53.95  
 B16738F 67-69, 5 piece set.....53.95  
 B16738G 70-71 4 piece set.....53.95  
**16740 Seal, Hood to Cowl**  
 B16740A 58-60.....9.95  
 B16740B 61-66.....10.95

- 16758-16763 Bumper, Hood**  
 B16758A 58-60, set of 4 .....9.95  
 B16758B 64, 4 required.....1.50  
 B16758D 69, wedge shaped on fender .....1.95  
 B16763A 61-63 / 65-67, wedge head, 4 required.....3.40  
 B16763B 66-69, round head, 2 required, 5/16"-18 stud .....4.95  
 B16763C 61-64, round head, 2 required, 3/8"-24 stud.....4.95  
 B16763D 65, round head, 2 required, 3/8"-16 stud.....4.95  
**16A758 Hood Scoop Grill**  
 B16A758 61-63, chrome.....188.95  
**16769 Bumper, Cowl to Hood**  
 B16769 58-60 cowl to hood, pair .....9.95  
**16B774 Hood Scoop Grill**  
 B16B774B 64-65, chrome.....189.95  
**16789 Spring, Hood Hinge**  
 B16789B 61-66.....18.95  
**16796/7 Hood Hinge, without Spring**  
 B16796-7B 61-66, pair.....299.95



- 16856-16857 Moldings, Hood**  
 B16856 61-63, RH.....46.95  
 B16857 61-63, LH.....46.95  
 .. NOTE .. See B16958 for center molding.  
**16877 Clamp, Hood Cable**  
 16877 58-62.....5.25  
**16916 Cable, Hood Lock**  
 16916 58-60, replacement type, with handle.....43.50  
 B16916B 61-62, with handle, reproduction.....52.95  
 B16916R 58-60, handle only, exact reproduction.....16.50



## 1958-60 HOOD ASSEMBLY

For illustration purposes only

### 16917 Cable, Hood Lock Remote Control

B16917R 58-60, RH to LH hood locks..... 19.95

### 16958 Molding, Hood

B16958 61-63, center..... 72.95



### 17032 Lug Wrench

17032 58-71..... 35.95

### 17120 Pad, Front Bumper Guard

B17120A 66..... 14.95



### 17260 Speedometer Cable with Housing

17260B 58-66, all, without cruise control, metal housing..... 49.50  
 B17260C 58-66, all, without cruise control, plastic housing ..... 49.95  
 B17260E 66, upper with cruise control..... 49.95  
 B17260F 66-68, lower with cruise control ..... 49.95  
 B17260J 69-71 without cruise control..... 39.95

### 17262 Speedometer Cable Core

B17262A 58-66..... 15.95



**B17271B**

### 17271 Gear, Speedometer Driven

B17271A 64-71, 16 teeth ..... 10.95  
 B17271B 64-71, 18 teeth ..... 10.95  
 B17271C 64-71, 17 teeth ..... 10.95  
 B17271E 64-71, 20 teeth ..... 10.95  
 B17271F 64-71, 19 teeth ..... 10.95  
 B17271G 64-71, 21 teeth ..... 10.95  
 B17271K 58-63, 18 teeth ..... 19.95  
 17322B 58-63, 19 teeth ..... 21.95

### 17285 Gear, Speedometer Drive

B17285B 65-66, 8 teeth ..... 33.95

### 17292 Retainer, Speedometer Drive Gear

17292 58-71..... 5.25

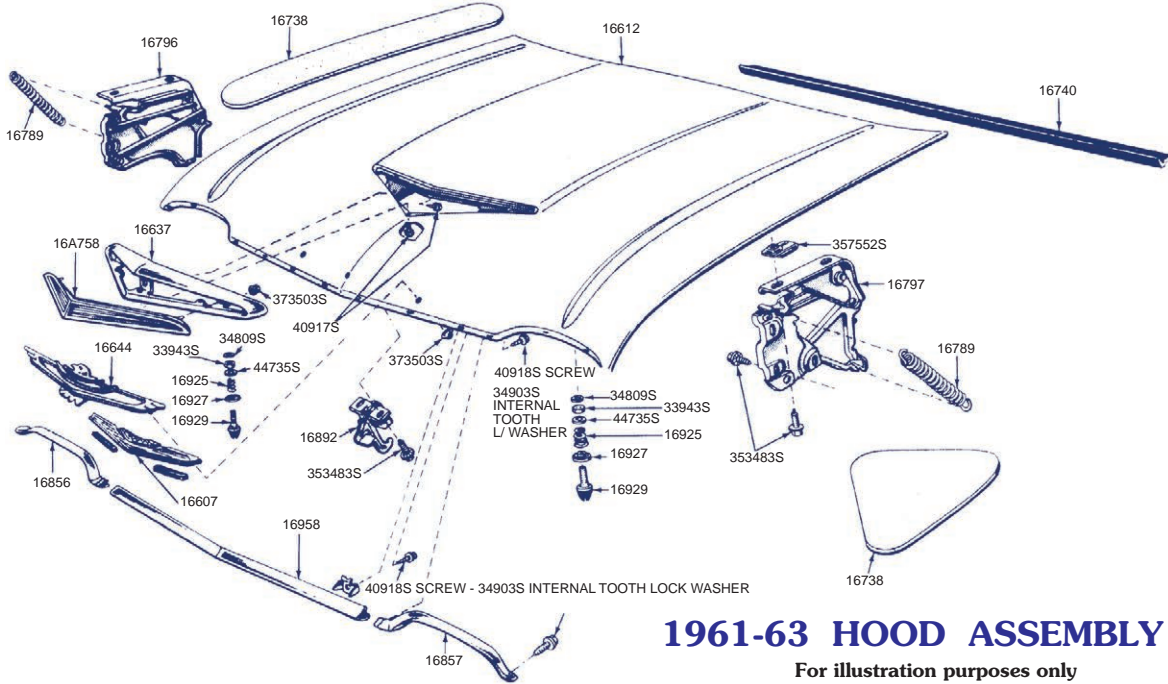
### 17298 O-Ring Seal, Speedometer Cable Housing to Transmission

17298 58-71..... 2.90

### 17A385 Bracket, Front License Plate

B17A385B 61-63..... 21.95  
 B17A385C 64 ..... 28.95  
 B17A385D 66 ..... 20.95  
 353483-S 61-63 rubber bumper..... 1.75

•• NOTE •• See also B17736A

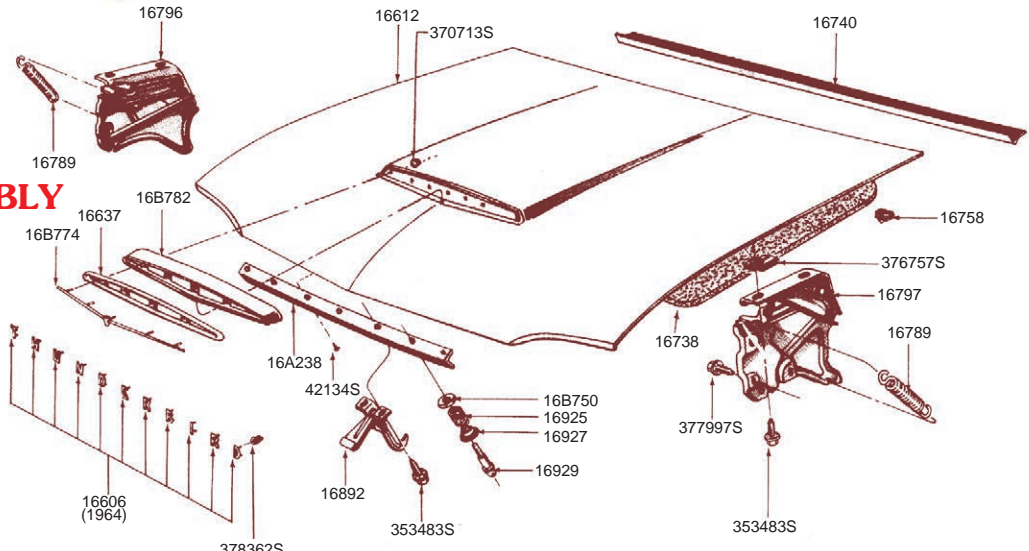


**1961-63 HOOD ASSEMBLY**

For illustration purposes only

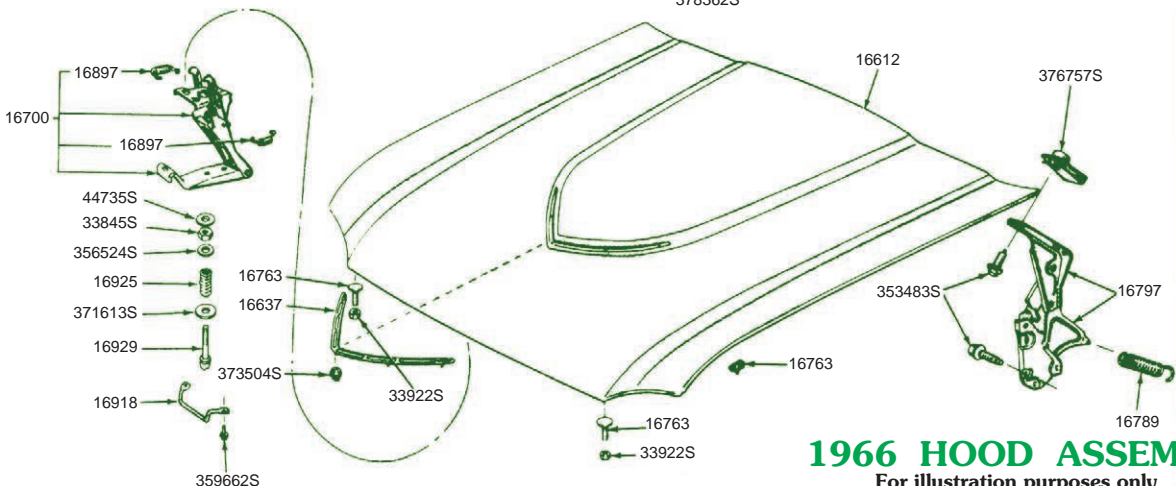
**1964-65 HOOD ASSEMBLY**

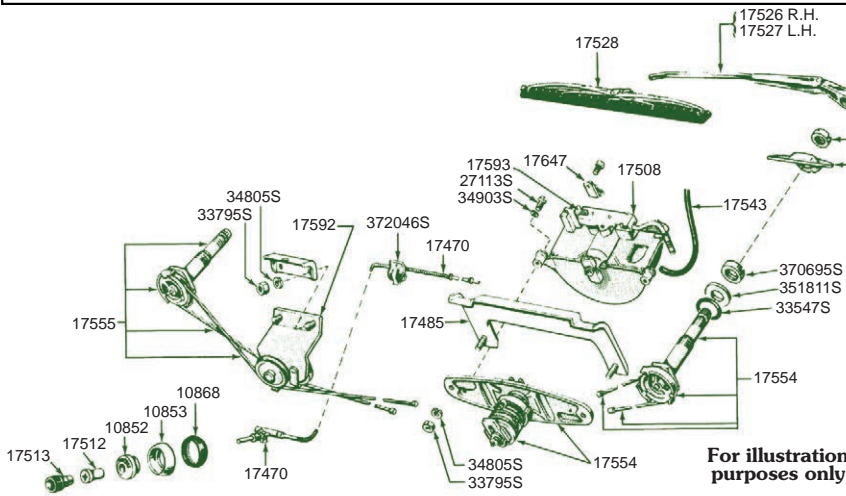
For illustration purposes only



**1966 HOOD ASSEMBLY**

For illustration purposes only



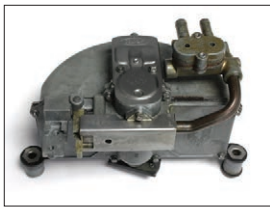


### 1958-60 WINDSHIELD WIPERS

- 17470 Windshield Wiper Cable**  
 B17470D 67 ..... 24.95



- 17B474 Hose, Wiper Motor to Gear Box**  
 B17B474A 63 ..... 49.95  
 B17B474B 64 ..... 49.95  
 B17B474C 65-66 ..... 49.95



**B17508AX**

- 17508/9 Wiper Motor**  
 B17508AX 58-60, vacuum type, rebuilt ..... 169.95  
 •• CORE •• Core must be sent first.  
 B17509 58-60, electric conversion kit with switch ..... 295.00  
 B17509AR Delay/washer electric wiper switch ..... 89.95  
 B17509KS 58-60 electric wiper conversion switch ..... 35.00  
 B17509W 58-60 2 speed electric wiper/washer switch ..... 39.95



**B17513A**



**B17513B**

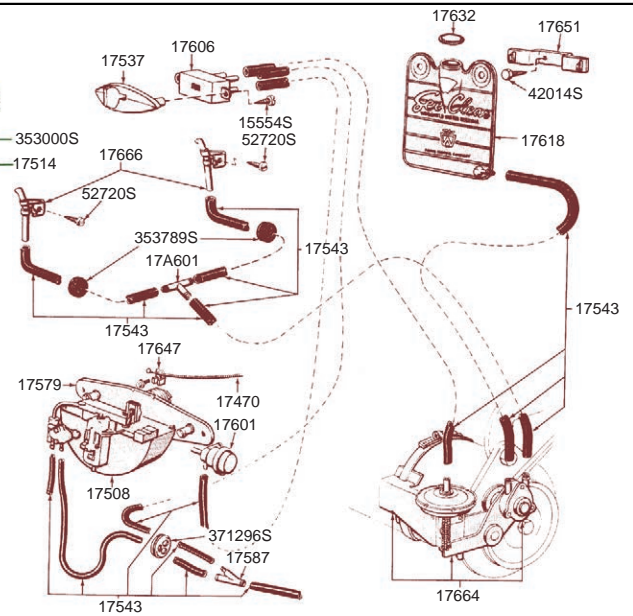


**B17530**

- 17512 Nut, Wiper Bezel**  
 B17512 58-60 ..... 13.95  
 B17512B 61-63 ..... 15.95

- 17513 Knob, Windshield Wiper**  
 B17513A 58, black with silver, with metal shank as original ..... 10.00  
 B17513B 59, white with gold, with metal shank as original ..... 10.00  
 B17513C 60, white with silver, with metal shank as original ..... 10.00  
 B17513D 61-63, vent and wiper ..... 19.95  
 B10852E 61-63, wiper knob bezel ..... 16.95

- 17514/15 Wiper Arm Bezels**  
 B17514C 64-66, RH ..... 15.95  
 B17515C 64-66, LH ..... 15.95



### 1960 WINDSHIELD WASHER SYSTEM

- 17526/17527 Wiper Arm**  
 B17526A 58-60, RH ..... 21.95  
 B17527A 58-60, LH ..... 21.95  
 B17526B 61-65, RH ..... 16.95
- 17528 Blade Assembly, Windshield Wiper**  
 B17528A 61-62, black finish ..... 10.95  
 B17528B 61-62, stainless steel finish ..... 24.95  
 B17528C 63-66, black finish ..... 13.95  
 B17528D 58-60, stainless steel finish ..... 17.95
- 17530 Bezel, Remote Control Mirror**  
 B17530 64-66 ..... 11.95
- 17531 Clip, Windshield Wiper Linkage**  
 B17531B 66-72, after 10/18/65 ..... 1.99
- 17543 Vacuum Hose, Per Foot**  
 B17543A 1/4" ..... 1.00  
 B17543B 3/16" ..... 1.00  
 B17543C 1/8" ..... 1.00
- 17593 Refill, Wiper Blades**  
 B17593D 63-66, pair ..... 9.95
- 17B593/17B476 Return Tube, Wiper Motor**  
 B17B593 63, 2 pieces ..... 32.95  
 B17B593SS 63, 2 pieces, stainless steel ..... 42.95
- 17A601 Tee, Windshield Washer Hose**  
 B17587 58-71, "T" shape ..... 1.95  
 B17A601B 67-71, "F" shape ..... 1.95
- 17A602 Rubber Tips, Windshield Washer Nozzles**  
 B17A602A 64-66, pair ..... 5.25



**B17618A**



**B17618C**

- 17618 Reservoir, Windshield Washer**  
 B17618A 58-60, exact reproduction, includes cap ..... 34.95  
 B17618B 61-63, exact reproduction, includes cap ..... 34.95  
 B17618C 64-65, exact reproduction, screw cap, includes cap ..... 34.95  
 B17618D 66, exact reproduction, flip cap, includes cap ..... 34.95  
 B17618E 67, includes cap ..... 34.95  
 B17618G 70, includes cap ..... 32.95
- 17625D Windshield Washer Switch**  
 B17625D 64-66 ..... 21.95

**17632 Cap, Windshield Washer Reservoir**

B17632A	58-65	3.50
B17632B	68-70	3.95

**17651 Bracket, Windshield Washer Bag**

B17651A	58-60	12.95
B17651B	61-63	12.95
B17651C	64-66	12.95

**17663 Housing, Windshield Washer Switch**

B17663C	64-67	9.95
---------	-------	------

**17664 Pump, Windshield Washer**

B17664C	61-67	44.95
B17664D	68-70	49.95

**17666 Nozzles, Windshield Washer**

B17666A	58-60, pair, stainless steel	24.95
B17666B	61-63, pair, stainless steel	24.95
B17666C	64-66, pair, stainless steel, includes rubber tips	24.95



**B17682A**

**17682 Bracket, Outside Mirror**

B17682A	64-66, original mirror, with slot	10.95
---------	-----------------------------------	-------

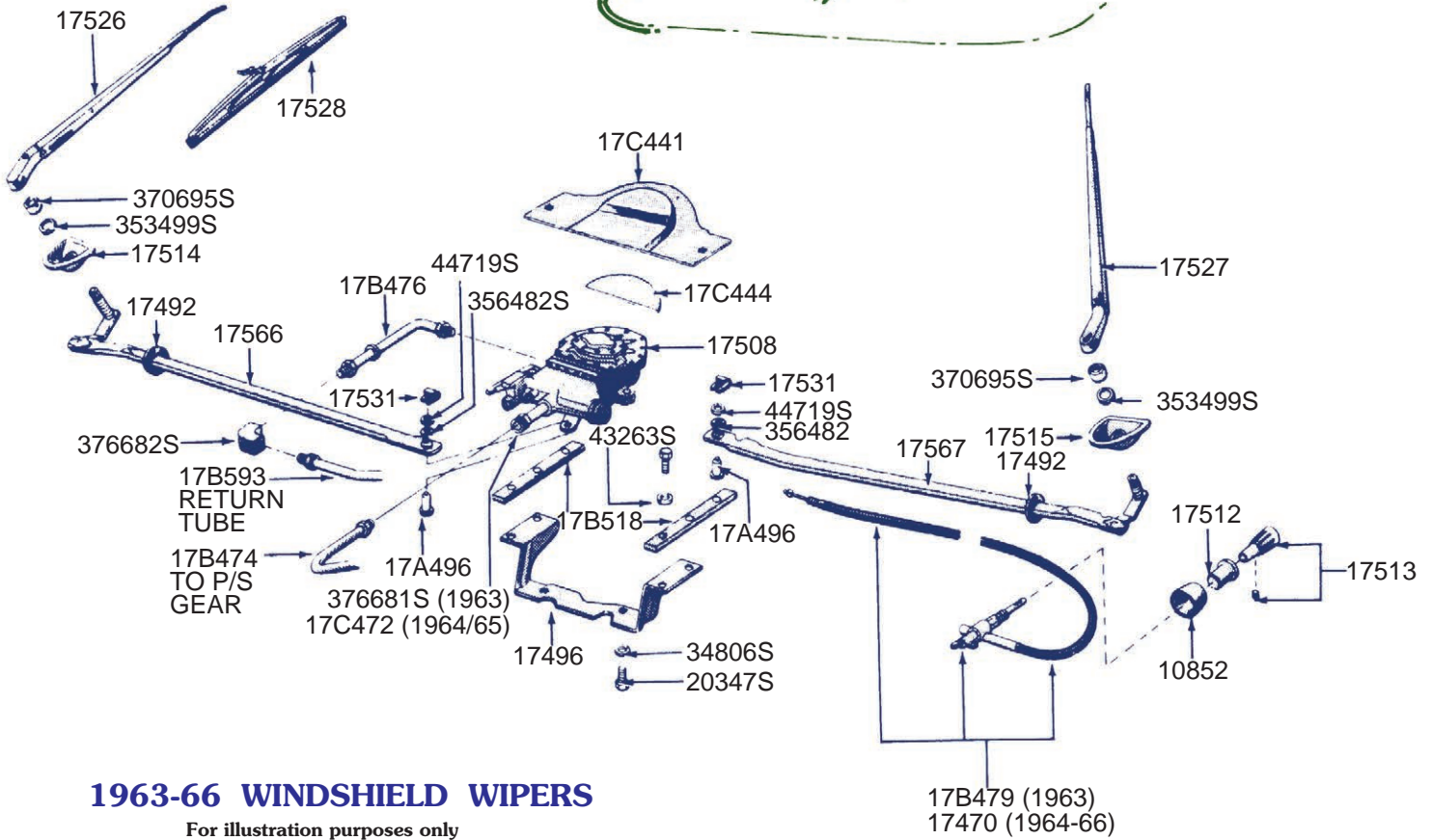
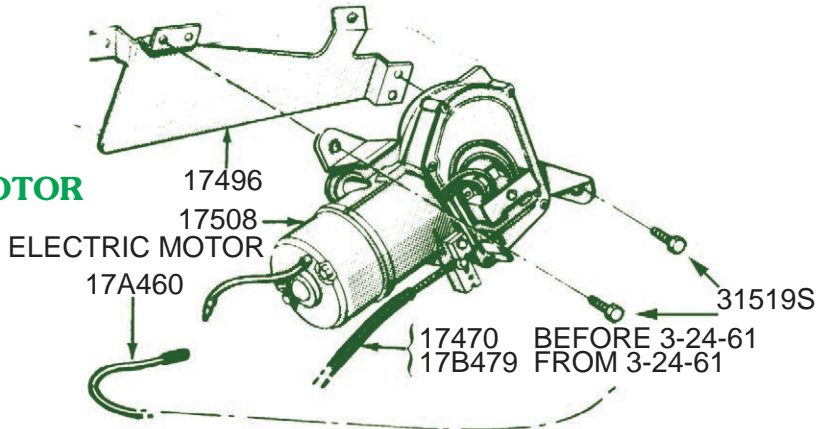


**17B686 Emblem, Mirror**

B17B686	64-66 for B17696C, B17696DCV mirrors	20.95
---------	--------------------------------------	-------

**1961-62 WINDSHIELD WIPER MOTOR**

For illustration purposes only



**1963-66 WINDSHIELD WIPERS**

For illustration purposes only



B17696A



B17696AA



B17696B



B17696C



B17696DCV



B17696G



B17696R

**17690 Arm, Inside Mirror**

B17690F 61-69.....18.95

**17696 Mirror, Outside**

B17696A Late 59-60, rectangular hooded, with rubber pad....142.95

B17696ACV Late 59-60, RH with convex glass.....148.95

B17696AA 58-early 60, Adjust-o-Ring, with rubber pad.....142.95

B17696AACV 58-early 60, with convex glass, RH.....148.95

17696B 58, round head.....42.95

17696BCV 58, round head, with convex glass, RH.....44.95

B17696B 61-62, round head, with rubber gasket.....94.95

B17696BCV 61-62, with convex glass, with rubber gasket, RH.....96.95

B17696C 64 deluxe / 65-66 standard, LH, remote mirror, with gasket 3 7/8".....172.00

B17696DCV 64 deluxe / 65-66 standard, RH, matches left with convex glass, 3 7/8" base, with gasket and bracket.....152.00

B17696E 63, LH, remote mirror with gasket.....143.95

B17696FCV 63, RH, with convex glass with gasket.....139.95

B17696G 64 standard, LH, remote mirror, with gasket, 7 1/2" base 142.95

B17696HCV 64 standard, RH, mirror, with gasket and convex glass 7 1/2".....139.95

B17696R 63-66, universal round head, without pad.....38.00

B17B686 64-66, mirror bird emblem, not included with mirror...20.95

• • NOTE • • Must purchase B17B686 mirror bird for B17696C, B17696DCV.

**17698 Bracket, Inside Mirror**

B17698D 61-69, cement on type.....10.95



B17700B



B17700C

**17700 Mirror, Inside**

17700B 58-59, with stem.....33.95

B17700B 60, day/night, twist type.....69.95

B17700C 61-63, day/night, push button.....79.95

B17700D 64-66, day/night, twist type.....79.95

• HWK35 58-60, screws, base to windshield, 5 pieces.....1.30

**17702 Base, Inside Mirror**

B17702A 58-60.....21.95

Convex mirrors for the right side like the new cars for better visibility. Mirrors are printed with "Objects in mirror are closer than they appear."



B17B718



B17B719



B17B732

**17B718 Toggle Control, Remote Mirror**

B17B718 63-66.....36.95

**17B719 Bezel Nut, Remote Control Mirror**

B17B719 63.....13.95

**17724 Gasket, Outside Mirror**

B17724 64-66, rubber pad for B17696 C and D.....5.95

B17724A 58-59, rubber pad for B17696AA.....5.95

B17724BR 59-60 rubber pad for B17696A.....5.95

B17724B 61-62 rubber pad.....5.95

17696D 58, paper pad for B17696A.....1.00

B17724R 63-66, plastic pad for B17696R.....3.10

B17724E 63, LH plastic pad for B17696E.....5.95

17696E 58, Rubber pad for B17696A.....5.60

B17724F 63, RH plastic pad for B17696FCV.....5.95

B17724G 64, RH or LH rubber pad for B17696G or HCV.....5.95

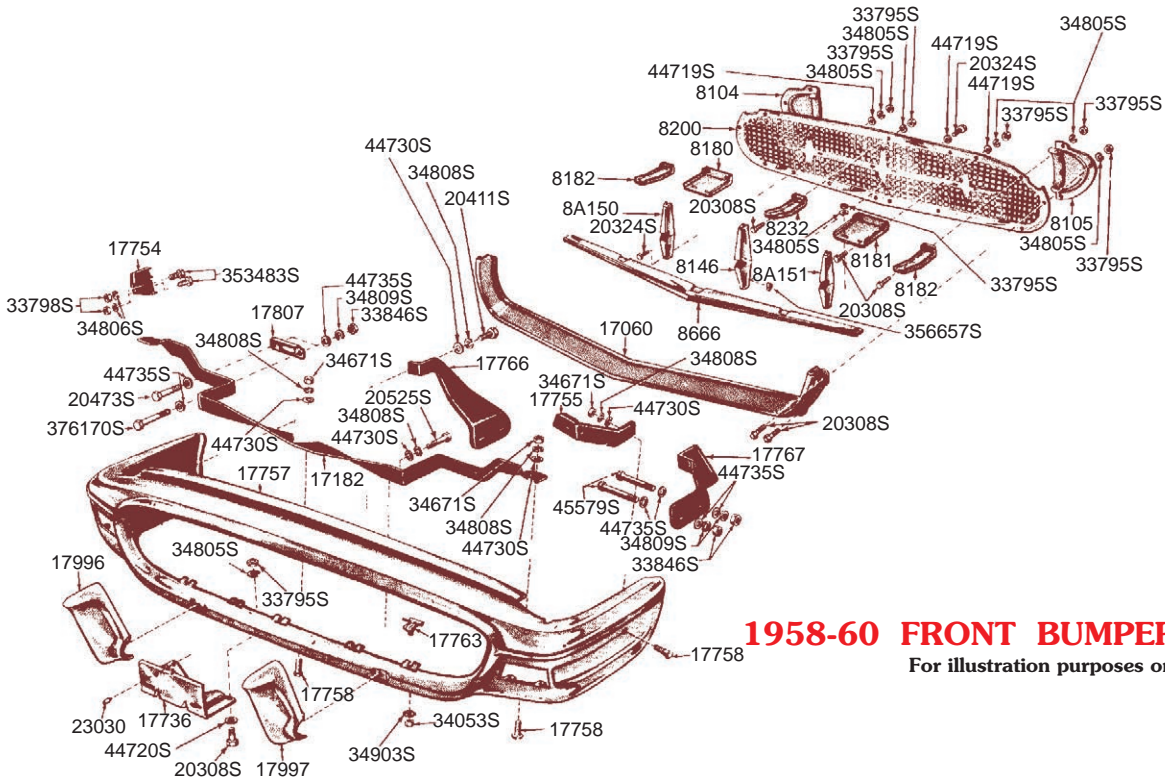
**17B732 Nut, Remote Control Mirror**

B17B732 64-66.....10.95

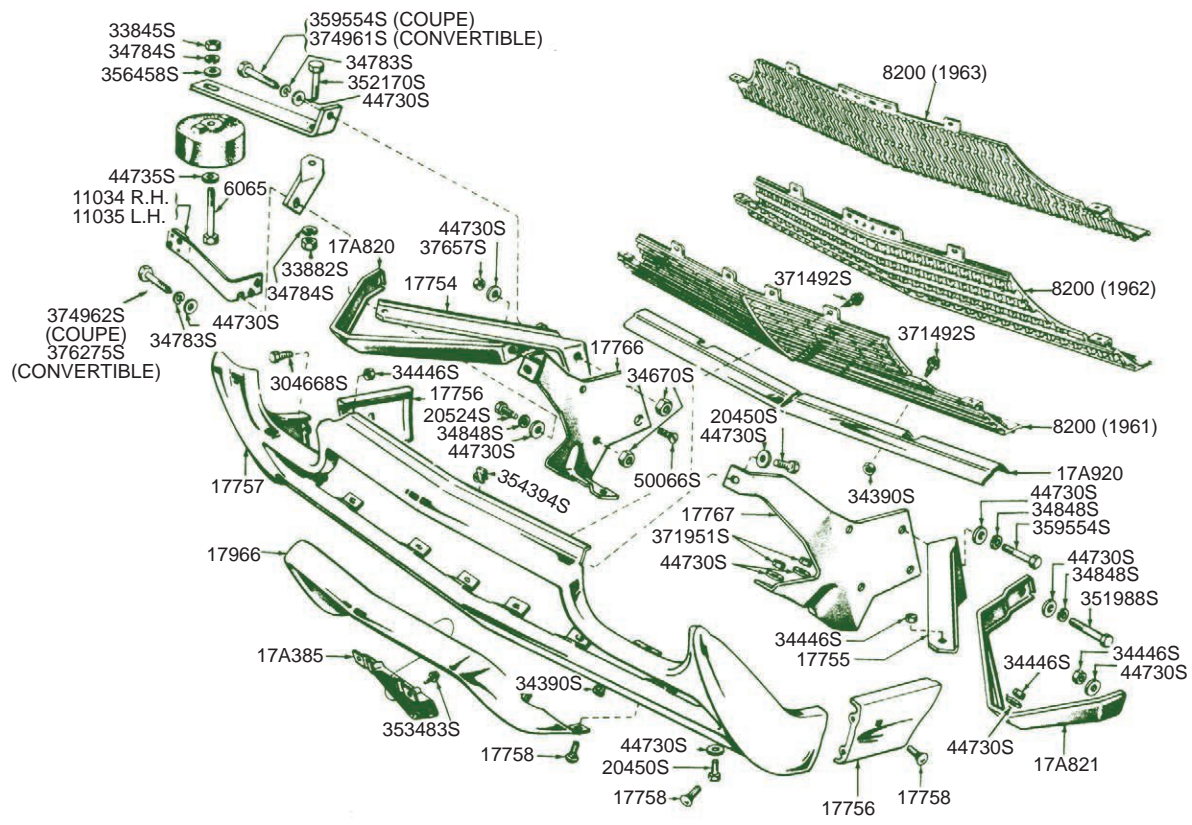
**17736 Bracket, Front License Plate**

B17736A 58-60.....21.50



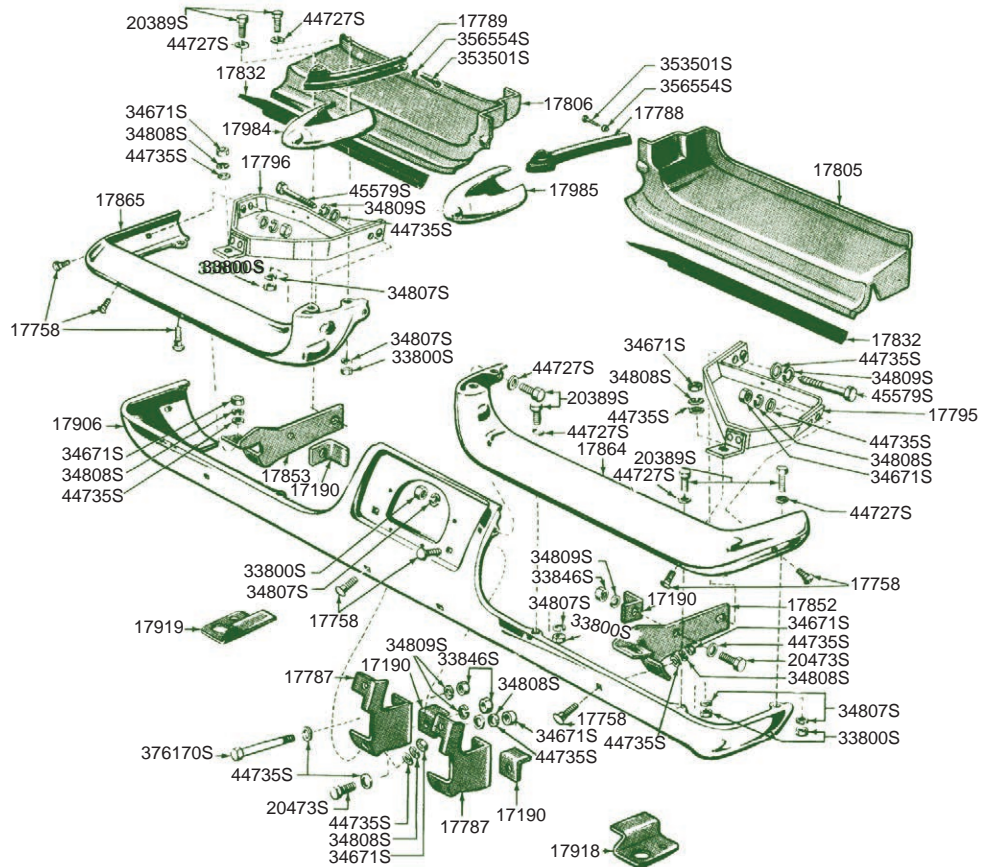


**1958-60 FRONT BUMPER AND GRILL**  
For illustration purposes only



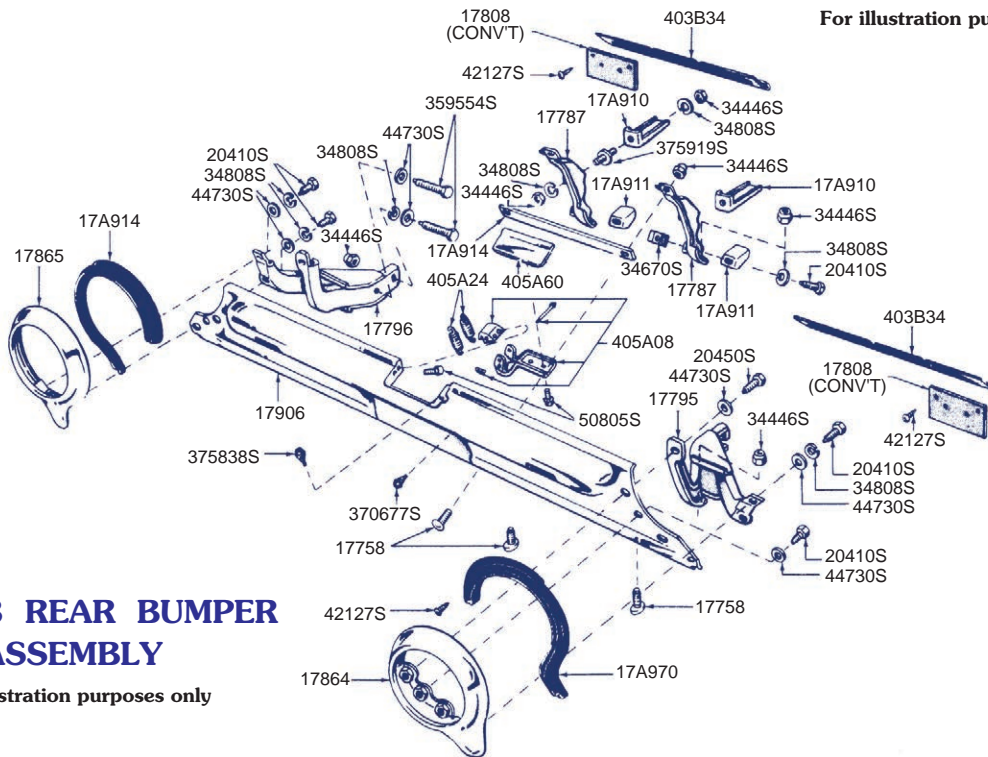
**1961-63 FRONT BUMPER AND GRILL**  
For illustration purposes only





**1958-60 REAR BUMPER ASSEMBLY**

For illustration purposes only



**1961-63 REAR BUMPER ASSEMBLY**

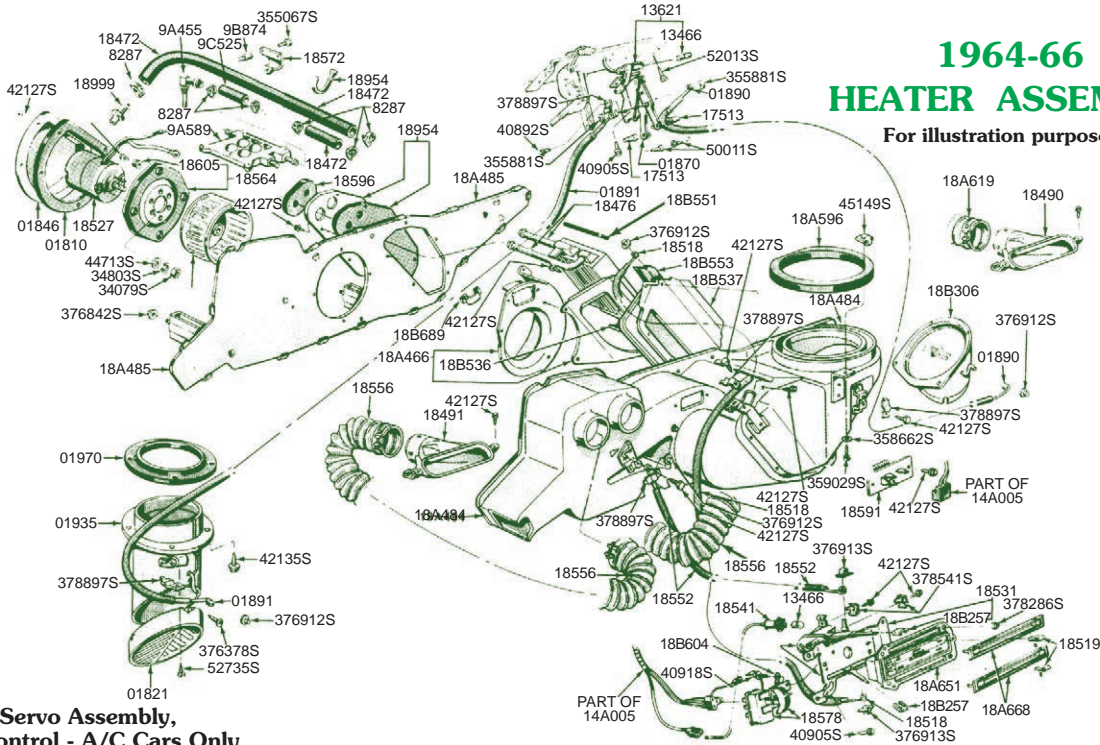
For illustration purposes only





## 1964-66 HEATER ASSEMBLY

For illustration purposes only

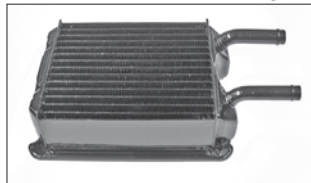


### 18A318 Vacuum Servo Assembly, A/C and Heater Control - A/C Cars Only

B18A318B	60-66, 65-66, LH vent door control	79.90
----------	------------------------------------	-------

### 18472 Heater Hose, Black

18472	58-72, 5/8", per foot	2.25
B18472F	61-72, 3/4", per foot	2.25



**B18476D**



**B18476F**

### 18476 Heater Core, New

B18476A	58-60, with 3 tabs	183.50
B18476B	61-62, with 2 studs	149.95
B18476C	64-66 without AC, 2 long tubes	149.95
B18476E	Late 62-63, with 3 studs	149.95
B18476D	64-66, with air conditioning, 2 short pipes	149.95
B18476F	67,	149.95
B18476G	68-71, 2 short pipes	149.95

•• NOTE •• For core to valve seal see B19460A

•• NOTE •• For water control valve see 18495

### 18481 Bracket, Heater Hose

B18481A	58-63	8.95
B18481B	66, with A/C	4.95



**B18495AK**

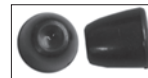


**B18495BK**

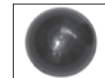
### 18495 Water Control Valve, Heater

B18495AK	58-60, replacement kit for combo valve	89.95
B18495BK	61-63, replacement kit for combo valve	89.95
B18495C	64-66	44.95
B18495D	67-69	29.95

•• NOTE •• 58-63 replacement kits include new cable and seal.



**B18513**



**B18519A**

### 18513 Knob, Heater Blower Switch

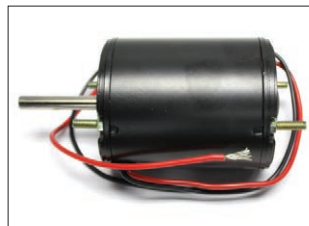
B18513A	58, black	5.00
B18513B	59-60, white	6.00

### 18518 Cable, Heater Control

B18518A	58	21.95
B18518B	59-60	21.95
B18518C	61-63	21.95
B18518D	64-66	21.95

### 18519 Knob, Heater Control

B18519A	58, black, 2 required	5.00
B18519B	59-60, white, 2 required	6.00



**B18527A**



**B18527D**

### 18527 Motor Assembly, Heater Fan without Air

B18527A	64-66	62.95
B18527D	67-71 with heater or A/C, new	99.95

### B18541 Heater & A/C Control Light

B18541A	58-60, pig tail and socket	22.50
B18541B	61-63	17.85
B18541C	64-66	22.50

### 18548 Clip, Heater Cable Retaining

18548C	58-63, 3 required	1.95
--------	-------------------	------

### 18548 Cable, Defroster

B18548A	58	21.95
B18548B	59-60	21.95
B18548C	61-63	21.95

<b>18552 Cable, Heater/Air Vent</b>		
B18552A	58, right air.....	29.95
B18552B	59-60, on/off.....	21.95
B18552D	64-66, temp control.....	21.95
<b>18556 Hose, Defroster</b>		
18556	61-66.....	35.95
<b>18A566 Duct Booth with Clamp, Fresh Air Inlet</b>		
B18A566	61-63 all / 64-66, with A/C.....	46.95
<b>18578 Heater Blower Switch</b>		
B18578D	64.....	79.95
B18578E	65-66.....	79.95
<b>18583 Grommet, Heater Blower Motor to Housing</b>		
18528	58-60.....	4.40
<b>18591 Resistor Assembly, Heater Switch to Blower Motor</b>		
B18591A	64-66.....	19.25
<b>18596 Seal, Heater Hose Tubes</b>		
B18596B	64-66 without A/C.....	2.95
<b>18A596 Seal, Fresh Air Inlet</b>		
B18A596C	64-66, without A/C.....	12.95
<b>18599 Heater Hose to Water Pump Fitting</b>		
18599	58-60, 45° elbow.....	13.95
B18599B	58-64, 90° elbow.....	18.95
B18599C	61-66, straight nipple, 5/8".....	6.95
B18599D	68-69, 390, 5/8".....	24.95
B18599E	61, 3/4" fitting.....	8.95
<b>18A620 Defroster Hose</b>		
B18A620	65-66 without A/C.....	19.95
<b>18658 Gasket, Heater Core to Case</b>		
B18658AK	58-60, set.....	34.95
B18658ACK	58-60, set, with air conditioning.....	62.95
B18658B	61-63, all / 64-66, with air conditioning.....	4.25
B18658F	67.....	29.95
<b>18663 Y Pipe, Heater Hose</b>		
B18663B	Late 62-63, 2 3/4" legs, 1 5/8".....	13.95
B18663C	64-66, 2 5/8" legs, 1 3/4".....	13.95
<b>18696 Grommet, Heater Core Tubes</b>		
B18696G	68-71.....	9.95



B18805A



18808

**18805 Knob, Radio**

B18805A	58, black with silver.....	5.00
B18805B	59, white with gold.....	6.00
B18805C	60, white with silver.....	5.00

**18808 Speaker, Radio**

B18808C	66, door, 100 watts.....	18.95
18808A	61-63, 6" x 9", front.....	25.95
B18808D	64-72, 4" x 10", front.....	18.95
B18808G	64-66, 5" x 7", rear.....	18.95

•• NOTE •• For stereo speakers see page 12.



B18813CR

**18813 Antenna, Radio**

18813B	58-66, rear deck mount, replacement type.....	99.95
B18813B	61-63, rectangular base, replacement.....	42.95
B18813BR	61-63, exact reproduction.....	78.95
B18813CR	58-60, front fender, exact reproduction.....	114.95
B18813DR	64-66, round base, exact reproduction.....	78.95
18813E	58-66, electric aftermarket.....	69.95

**18830 Bezel, Radio Knob**

B18830A	58-60.....	6.95
---------	------------	------

**18832 Radio Suppressor**

18832	58-72, with female spade terminal.....	24.95
-------	--	-------

**18A886 Mast, Radio Antenna**

B18A886R	61-66, exact reproduction, screw-in.....	24.95
----------	--	-------

**18912 Grommet, Antenna Lead In**

18912	58-60.....	3.25
-------	------------	------

**18919 Pad, Antenna**

B18919A	58-60.....	5.95
B18919B	61-63.....	3.75
B18919D	64-66.....	4.00
18919B	58-66, rear antenna.....	6.50

**18954 Aluminum Tie**

18954	61-66, for heater hose or A/C tag.....	4.95
-------	--	------

**18A958 Wire, Ash Tray Light**

B18A985A	64-66.....	34.28
----------	------------	-------

**19460 Seal, Heater, Core to Valve**

B19460A	58-63.....	1.95
---------	------------	------

**19461 A/C Duct Kit**

B19461A	58-60.....	109.95
---------	------------	--------

**19A566 Vacuum Reservoir Tank, A/C**

B19A566B	61-65, 2 ports.....	51.95
B19A566C	66, single port.....	51.95

**19A566 Line, Vacuum Reservoir Tank**

B19A566A	61, early, carbon steel.....	25.00
B19A566ASS	61, early, stainless steel.....	35.00

**19B588 Grommet, A/C Lines**

B19B588A	61-63, large holes.....	11.95
B19B588B	64-66, small holes.....	11.95

**19B596B Quick Disconnect**

B19B596B	61-66.....	44.95
----------	------------	-------

**19A603 Knob, Heater & A/C Control**

B19A603A	58, black with silver, 2 required.....	9.00
B19A603B	59, white with gold, 2 required.....	10.00
B19A603C	60, white with silver, 2 required.....	9.00

**19655 Seal, A/C Conditioner Crankshaft**

B19655D	65-66, York or Eaton.....	19.95
---------	---------------------------	-------

**19B673 Sight Glass Rebuild Kit, A/C**

B19B673A	58-60 sight glass rebuild kit.....	69.95
----------	------------------------------------	-------

**19B673 Rebuilt Sight Glass**

B19B673BX	58-60.....	195.95
B19B673CX	61-64.....	195.95

•• CORE •• Core must be sent first.



B19703D  
Compressor  
Conversion

**19703 A/C Compressor Conversion (using Sanden rotary compressor)**

B19703A	58-62, R134A with flange top fittings, without clutch.....	269.95
B19703B	58-60, uses R134A refrigerant, includes clutch.....	625.00
B19703D	61-65, uses R134A refrigerant, includes clutch.....	625.00
B19703H	66, uses R134A refrigerant, includes clutch.....	625.00
B19703L	Sanden compressor only.....	265.00

•• NOTE •• Compressor conversion kits include a new Sanden compressor, mounting bracket, hoses, mounting hardware. New dryer NOT included.

•• NOTE •• Recommend replacing dryer see B19959

**19703 Compressor, A/C**

B19703AX	58-62, York with flange top fittings, rebuilt.....	595.95
B19703BX	63-68 York with rotolock, new.....	325.95
B19703CX	Rebuilt original with clutch.....	795.00

•• CORE •• Core must be sent first.

**19752 Valve Set, A/C Compressor Roto/Flare**

B19752B	63-66, pair.....	139.95
---------	------------------	--------

**19779 Clips, A/C Box**

B19779A	58-60, 12 required.....	2.75
---------	-------------------------	------

**19A786 Hose, Vent, A/C Blower, Motor**

B19A786B	61-66, 90°.....	4.95
B19A786C	61-66, double 90°.....	7.95

**19A797 Grommet, A/C Blower, Motor**

B19A797	61-66 A/C blower motor grommet.....	9.95
---------	-------------------------------------	------

**19835/37 Liquid Line, A/C**

B19835A	58-60, drier to sight glass, outer.....	179.95
B19835B	61-64, drier to expansion valve.....	138.95
B19835C	65-66, drier to expansion valve.....	152.00
B19835D	66, drier to sight glass, use with B19835C.....	65.00
B19837C	58-60, sight glass to expansion valve, inner.....	179.95

•• NOTE •• Hose core required in advance.

### 19849 Expansion Valve

- B19849A 58-69.....53.50  
 •• NOTE •• For externally equalized system, must cap off evaporator port.

### 19860 Evaporator, A/C

- B19860 Evaporator.....CALL

### 19867 Suction Hose, A/C

- B19867A 58-60, evaporator to compressor .....79.95  
 B19867B 61-66, evaporator to compressor .....109.00

### 19950 Air Conditioning Conversion Kit (for non A/C cars)

- B19950BK 58-60, R134A .....1599.95  
 B19950DK 61-63, R134A .....1599.95  
 B19950FK 64-66, R134A .....1599.95

### 19959 Receiver Drier

- B19959A 58-60 .....134.95  
 B19959B 61-65 .....134.95  
 B19959C 66 .....134.95

### 19972 Discharge Hose, A/C

- B19972A 58-60, compressor to condenser .....134.95  
 B19972B 61, compressor to condenser .....99.95  
 B19972C 62-63, muffler to condenser .....99.95  
 B19972D 64-65, compressor to condenser .....99.95  
 B19972E 66, compressor to condenser .....109.95

### 19988 Cable, A/C Control

- B19988C 61-63 .....21.95

### 19B994 Gasket, A/C Compressor Valve Plate

- B19B994A 65-71 .....1.95

### 19950 A/C Kits

These new AC conversion kits for non AC cars use your original heater controls already installed in your car. Dehumidified air for defrost clears the fog from the inside of your windshield faster. The new vents install in the original location.



**19950DK**

# DOORS & WINDOWS

### 20530-20531 Weatherstrip, Door

- B20530-1A 58-60, pair .....99.95  
 B20530-1B 61-62, pair .....109.95  
 B20530-1C 63, pair .....109.95  
 B20530-1D 64-66, includes B20586A retainer pins, pair .....129.95

### 20580-20581 Weatherstrip, Door at Belt

- B20580-1A 58-60, pair .....21.95

### 20586 Pin, Door weatherstrip

- B20586A 64-71 .....0.56

### 20700 Seal, Lower Door Drain

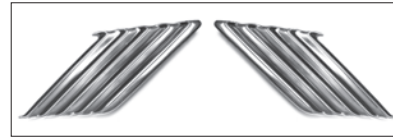
- B20700B 61-71, 6 required .....3.00

### 20768/20769 Wire Guard, Door to Pillar

- 20768 58-60, RH .....34.95  
 20769 58-60, LH .....34.95

### 20910 Door Edge Guards

- B20910B 61-63, pair, stainless steel .....29.95



**B20980/1A**



**B20980AA**



**B20980B**

### 20980-20981 Ornament, Door

- B20980AA 58, 10 required .....19.95  
 B20980A 63, RH, 3 required .....26.95  
 B20981A 63, LH, 3 required .....26.95  
 B20980B 59, spear, pair .....169.95  
**BHK40** Barrel nuts to retain B20980AA, 2 pieces .....1.00

### 21032 Retainer, Door Panel to Door Lower Retainer

- B21032A 58-60 .....22.95  
 B21032B 61-63 .....22.95

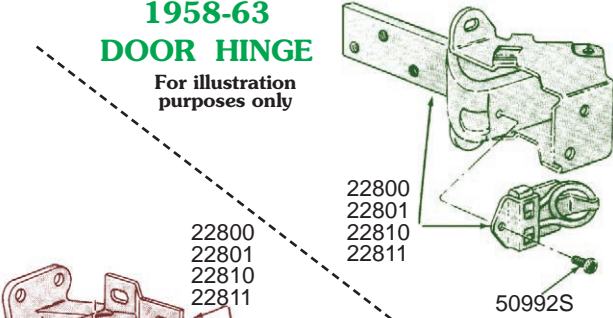
### 14553 Motor Assembly, Power Window

- 14553B 58-60, door & rear window .....249.95  
 B14553B 61-62, door, 4 wire square plastic plug .....249.95  
 B14553C 62-64, door, 3 wire flat rubber plug .....249.95  
 B14553D 62-63, rear window, 3 wire flat rubber plug .....249.95  
 B14553K 61-62, rear window, 4 wire plastic plug .....249.95  
 B14553E 65-66, door, RH, with gear housing (without gear) ..249.95  
 B14553F 65-66, door, LH, with gear housing (without gear) ..249.95  
 B14553G 64-66, rear window, RH, with gear housing (without gear) .....249.95  
 B14553H 64-66, rear window, LH, with gear housing (without gear) .....249.95  
 B14553L 67-71, right front or rear, left 1/4, with gear and plate .....124.95  
 B14553M 67-71, left front or rear, right 1/4, with gear and plate .....124.95  
 14553W 4 wire extension set .....7.95

## Most orders ship within 24 hours.

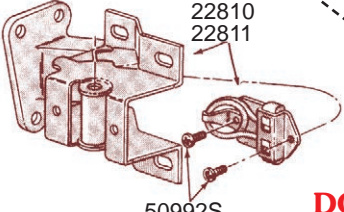
1958-63  
DOOR HINGE

For illustration purposes only

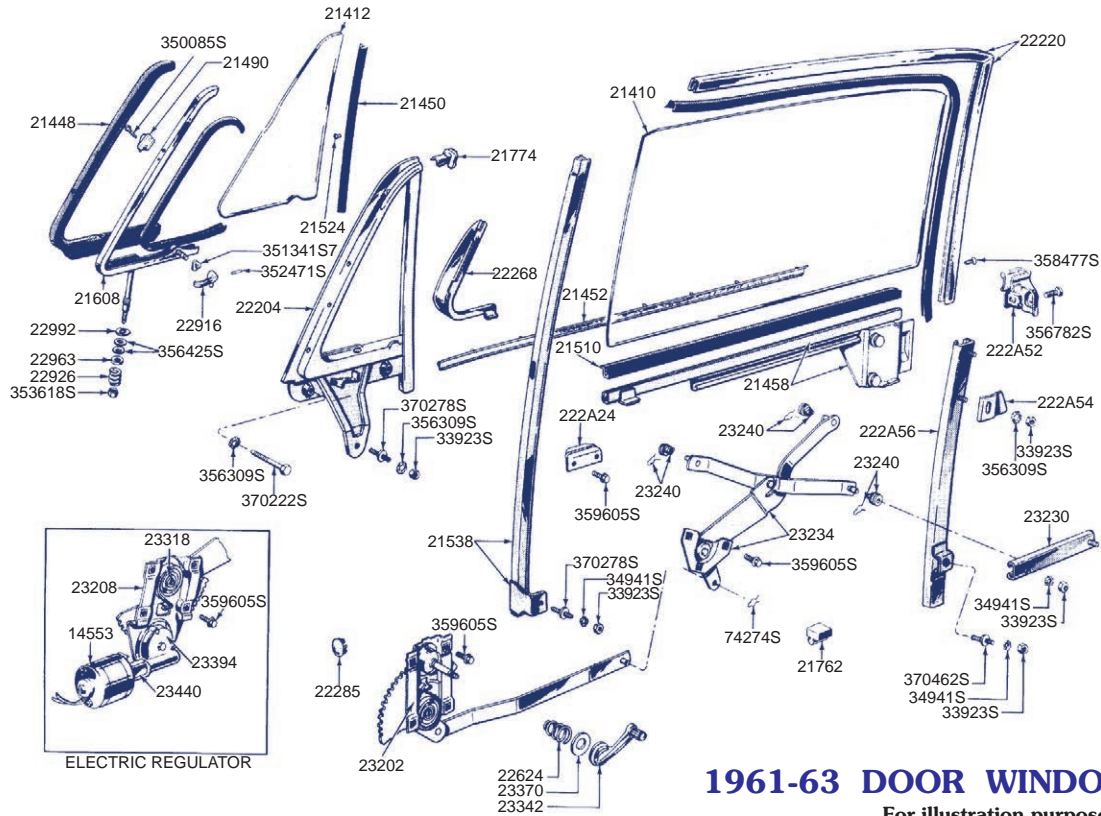


---

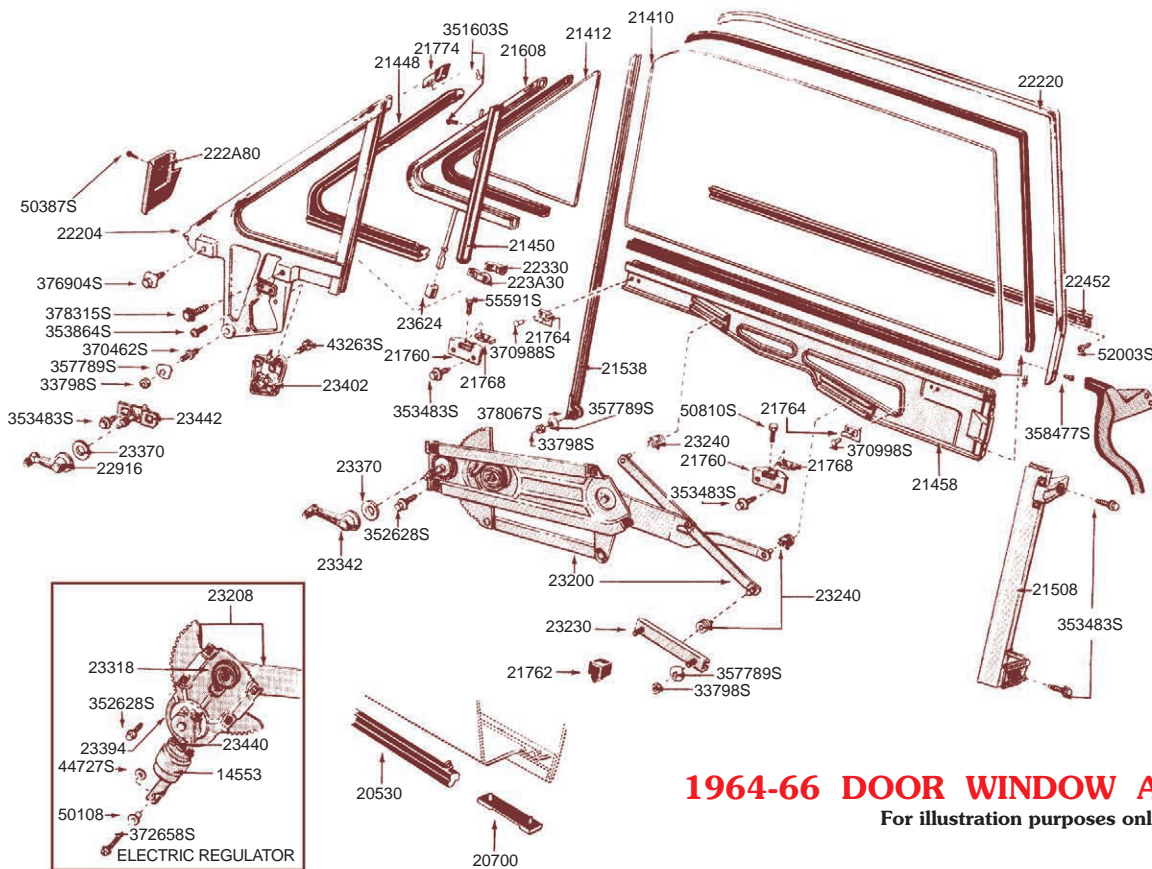
1964-66  
DOOR HINGE



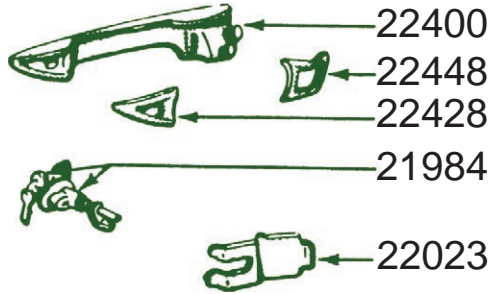




**1961-63 DOOR WINDOW ASSEMBLY**  
For illustration purposes only

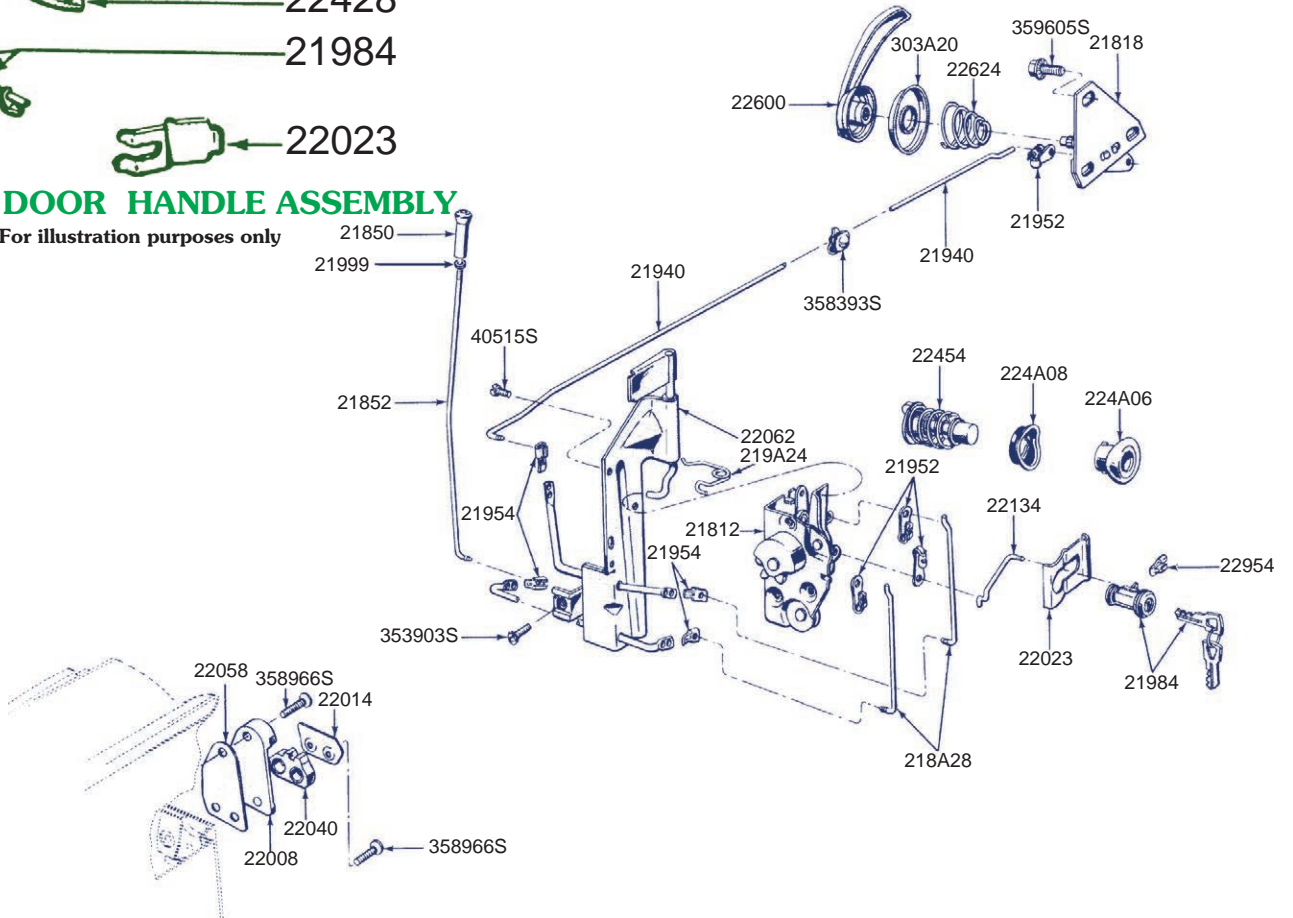


**1964-66 DOOR WINDOW ASSEMBLY**  
For illustration purposes only



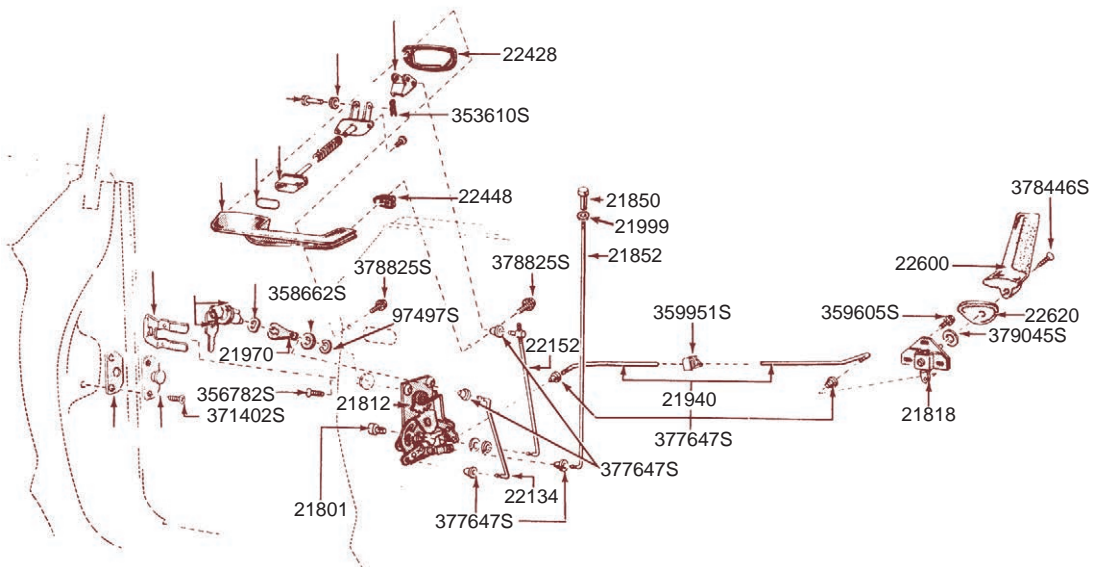
**1958-60 DOOR HANDLE ASSEMBLY**

For illustration purposes only



**1961-63 DOOR LOCK ASSEMBLY**

For illustration purposes only



**1964-66 DOOR LOCK ASSEMBLY**

For illustration purposes only

**03100 Windshields**

B03100A	58-60, clear.....	575.00
B03100B	58-60, tinted.....	595.00
B03100C	61-63, clear.....	394.50
B03100D	61-63, tinted.....	394.50
B03100F	64-66, tinted.....	229.50
B03100H	67-69, hardtop, clear.....	575.00
B03100I	67-69, hardtop, tinted.....	575.00

•• NOTE •• Drop shipped to business address only.

**21402/3 Vent Window Glass, Tempered**

B21402A	58-60, RH or LH, clear.....	21.95
B21402B	58-60, RH or LH, tinted.....	21.95
B21402C	61-63, RH, clear.....	79.95
B21402D	61-63, RH, tinted.....	84.95
B21402E	64-66, RH or LH, clear.....	25.00
B21402F	64-66, RH or LH, tinted.....	25.00
B21403C	61-63, LH, clear.....	79.95
B21403D	61-63, LH, tinted.....	84.95

•• NOTE •• Drop shipped from factory.

**21410 Door Glass**

B21410A	58-60, clear.....	69.95
B21410B	58-60, tinted.....	69.95
B21410C	61-63, right, clear.....	195.00
B21410D	61-63, left, clear.....	195.00
B21410E	61-63, right, tinted.....	199.00
B21410F	61-63, left, tinted.....	199.00
B21410G	64-66, clear.....	59.00
B21410H	64-66, tinted.....	59.00
B21410I	66, Landau, clear.....	65.00
B21410J	66, Landau, tinted.....	65.00

•• NOTE •• Drop shipped from factory.

**214A14 Weatherstripping, Rear of Door Glass**

B214A14	67-69, 2 door, pair.....	49.95
---------	--------------------------	-------

**29710 Quarter Window Glass**

B29710A	58-60, clear.....	21.95
B29710B	58-60, tinted.....	21.95
B29710C	61-63, right, clear.....	89.95
B29710D	61-63, left, clear.....	89.95
B29710E	61-63, right, tinted.....	94.95
B29710F	61-63, left, tinted.....	94.95
B29710G	64-66, hardtop, clear.....	30.00
B29710H	64-66, hardtop, tinted.....	30.00
B29710I	64-66, convertible, clear.....	30.00
B29710J	64-66, convertible, tinted.....	30.00

•• NOTE •• Drop shipped from factory.

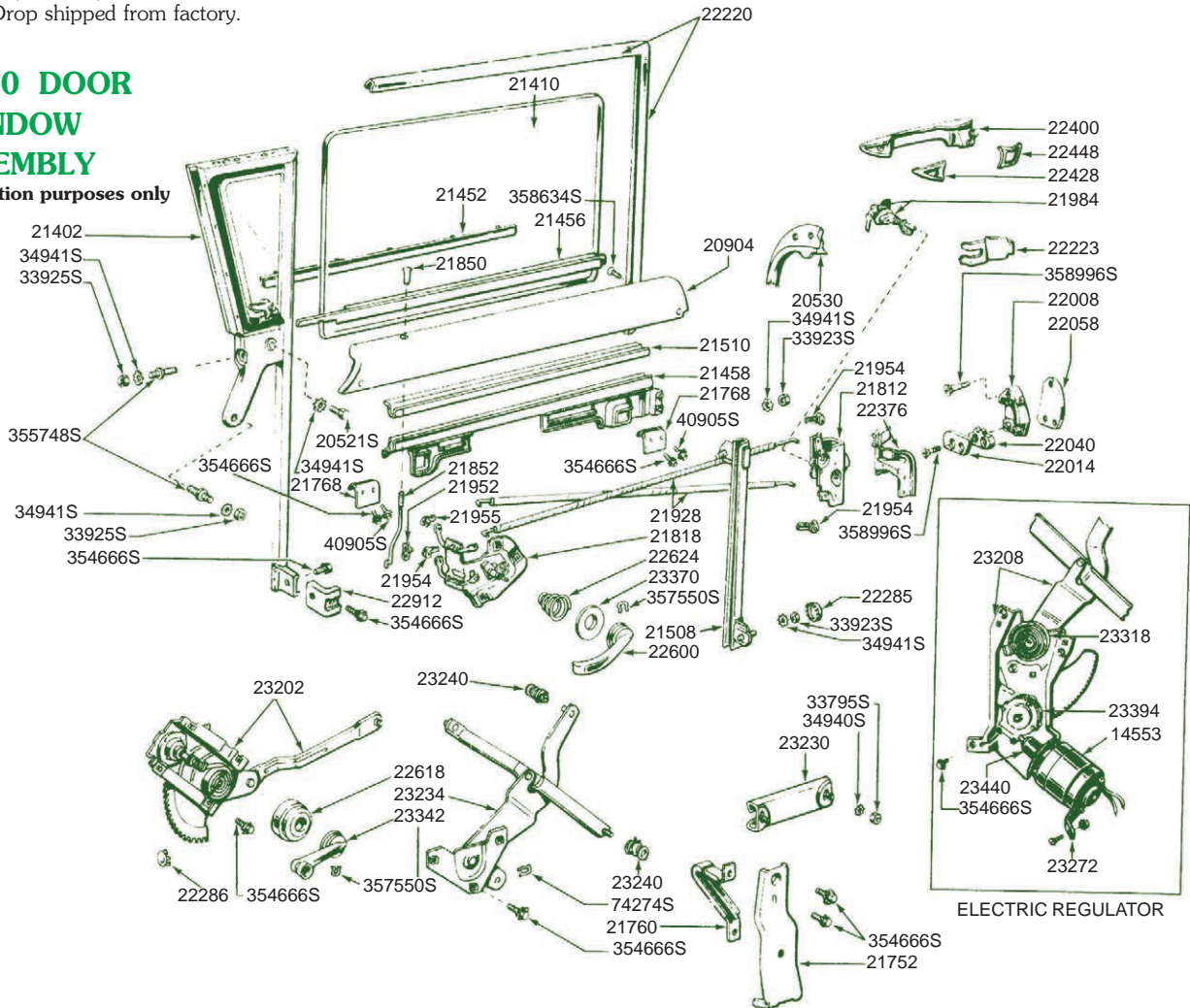
**42006 Rear Window**

B42006A	58-60, clear back window glass, tempered.....	475.00
B42006B	58-60, tinted back window glass, tempered.....	495.00
B42006C	61-63, clear back window glass, tempered.....	575.00
B42006D	61-63, tinted back window glass, tempered.....	595.00
B42006E	64-66, clear back window glass, tempered.....	475.00
B42006F	64-66, tinted back window glass, tempered.....	495.00
B42006G	66, Landau clear back window glass, tempered.....	475.00
B42006H	66, Landau tinted back window glass, tempered.....	495.00
B42006I	67-69, clear back window glass, tempered.....	475.00
B42006J	67-69, tinted back window glass, tempered.....	495.00

•• NOTE •• All glass drop shipped from factory. Windshields and backglass must be shipped to business address.

**1958-60 DOOR WINDOW ASSEMBLY**

For illustration purposes only





**B21448A**

<b>21448 Weatherstrip, Vent Window</b>	
B21448A	58-60, pair ..... 119.95
B21448B	61-63, pair ..... 99.95
B21448C	64-66, pair ..... 99.95

<b>21450 Weatherstrip, Vent Window at Division Bar</b>	
B21450A	58-60, pair, includes rivets ..... 19.95
B21450B	61-63, pair, includes rivets ..... 19.95
B21450C	64-66, pair, includes rivets ..... 19.95

<b>21452RK Weatherstrip, Belt Line, Set</b>	
B21452AK	58-60, hardtop, set of 8 ..... 129.95
B21452BK	58-60, convertible, set of 8 ..... 132.75
B21452CK	61-63, hardtop, set of 8 ..... 119.95
B21452DK	61-63, convertible, set of 8 ..... 119.95
B21452EK	64-66, hardtop, set of 8 ..... 133.95
B21452FK	64-66, convertible, set of 8 ..... 169.95
B21452GK	64-66, 4 pieces, doors only ..... 125.25
B21452HK	67-71, 2 door, doors only, hardtop only ..... 118.75
B21452IK	70-71, 2 door hardtop, 8 pieces ..... 143.50
B21452JK	67-69, 4 door, 12 piece set, Non-Landau ..... 169.95

<b>21508 Moleskin, For Relining Window Tracks</b>	
B21508A	58/63, 36", 1 door ..... 6.00

<b>21538 Division Bar</b>	
B21538A	58-60, pair ..... 53.10
B21538BX	61-63, with fuzzy channel, pair, rebuilt ..... 195.00
B21538C	64-66, pair ..... 53.10

<b>21774 Seal, Vent Window Tip at Door Window Post</b>	
B21774A	58-60, pair ..... 15.50
B21774B	61-63, pair ..... 20.95
B21774C	64-66, pair ..... 20.95

<b>21801 Bushing, Door Lock Pawl</b>	
B21801B	64 ..... 4.25

<b>21812-21813 Latch Assembly, Door</b>	
B21812C	64, RH ..... 66.95
B21813C	64, LH ..... 66.95



**B21819CX**

<b>21818-21819 Remote, Door Lock, Rebuilt</b>	
B21818BX	61-63, RH ..... 29.95
B21818CX	64, RH ..... 29.95
B21818DX	65-66, RH ..... 29.95
B21819BX	61-63, LH ..... 29.95
B21819CX	64, LH ..... 29.95
B21819DX	65-66, LH ..... 29.95

•• CORE •• Core must be sent first.



**B21850A**



**B21850B**



**B21850C**



**B21850D**

<b>21850 Knob, Door Lock Rod</b>	
B21850A	58-60, black, plastic as original ..... 6.95
B21850B	61-63, chrome die-cast ..... 7.95
B21850C	64, chrome die-cast ..... 7.95
B21850D	65-67, chrome, plastic, as original ..... 7.95
B21850E	68-71 ..... 7.95

<b>21910 Spring, Door Lock Remote</b>	
B21910	58-60 ..... 5.50

<b>21942-21943 Cover, Door Lock with Spring</b>	
B21942A	58-60 RH ..... 10.95
B21943A	58-60 LH ..... 10.95

<b>21952 Clip, Door Lock Rod</b>	
B21952A	58-64 ..... 2.50
B21952B	65-71 ..... 3.95

<b>21970 Lever, Door Lock Operating</b>	
B21970B	65-66 ..... 5.95



**B21971**

<b>21971 Lever, Door Lock Cylinder</b>	
B21971A	58-60, RH ..... 15.95
B21971B	58-60, LH ..... 15.95



**B21984A**

<b>21984-21985 Cylinder and Keys, Door</b>	
B21984A	65-71, pair ..... 39.95
B21984B	61-64, RH or LH ..... 28.95
B21984	58-60, RH ..... 30.40
B21985	58-60, LH ..... 39.95



**B21999A**



**B21999B**



**B21999C**



**B21999F**

<b>21999 Grommet, Door Lock Knob</b>	
B21999A	58-63, black ..... 5.00
B21999B	58-63, white ..... 5.00
B21999C	64 ..... 8.00
B21999D	65-66 ..... 8.00
B21999F	67-71 after 3/1/67, metal ..... 8.00

<b>22008-22009 Plate Assembly, Door Lock Striker</b>	
B22008A	61-63, RH ..... 21.00
B22008B	65-66, RH or LH ..... 17.95
B22008C	64, RH or LH ..... 17.95
B22009A	61-63, LH ..... 21.00

<b>22014-22015 Insert, Door Lock Striker</b>	
B22014B	61-63, RH ..... 6.95
B22015B	61-63, LH ..... 6.95

<b>22023 Retainer, Door Lock Cylinder</b>	
B22023R	58-60, pair ..... 10.95
B22023A	65-71 ..... 4.00



**22050**



**B22050D**



**B22051F**

<b>22050 Lock Set, Doors and Ignition</b>	
B22050	58-60 ..... 70.95
B22050B	61-64 ..... 54.95
B22050C	65-69 ..... 54.95
B22050D	70-71 ..... 55.95

<b>22051 Original Equipment Key Blanks</b>	
B22051K	55-64, reproduction, pair ..... 6.00
B22051D	65-72, reproduction, ignition only ..... 6.95

<b>22051 Accessory Key Blanks</b>	
B22051A	55-64 Thunderbird deluxe key blanks, pair ..... 24.95
B22051F	65-72 Thunderbird deluxe key blanks, pair ..... 24.95

<b>22058 Striker Plate Shim</b>	
B22058A	58-60 ..... 3.95
B22058B	61-63 ..... 5.00

<b>22075 Spring, Door Lock Operating</b>	
B22075	58-60 ..... 0.85

<b>22268/9 Plastic Deflector, Vent Window</b>	
B22268-9B	61-63, pair ..... 38.95

<b>222A80/1 Seal Vent Frame to Door</b>	
B222A80-1A	64-66, pair ..... 20.95

<b>22400/1 Handle, Door Outside</b>	
B22400A	58-60, RH, with buttons ..... 77.95
B22401A	58-60, LH, with buttons ..... 77.95
B22400-1A	58-60, pair, with buttons ..... 150.00

<b>22404/5 Handle, Door Outside</b>	
B22404C	64-66, RH, without buttons ..... 74.95
B22405C	64-66, LH, without buttons ..... 74.95
B22404D	67-71, RH front or LH rear with buttons ..... 75.00
B22405D	67-71, LH front or RH rear with buttons ..... 75.00
B22404E	72, RH without button ..... 24.95
B22405E	72, LH without button ..... 24.95

**224A06 Escutcheon, Outside Door Handle Button**  
 B224A06 61-63 .....20.95

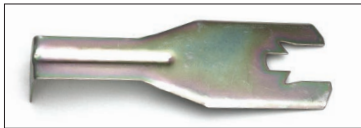


**22428/9 Pads, Outside Door Handle Mounting**  
 B22428A-KIT 58-60, set of 4 .....8.50  
 B22428B-KIT 64-66, set of 4 .....9.95  
 B22428C-KIT 67-71, set of 4, front or rear doors.....9.95



**B22454A**

**22454/5 Button Assembly, Outside Door Handle**  
 B22454A 58-60, RH.....19.95  
 B22454B 61-63, RH or LH.....44.95  
 B22454C 64-66 .....17.50  
 B22454D 67-71, front door, RH or LH .....19.95  
 B22455A 58-60, LH.....19.95



**22601T**



**22600B**



**B22600/1B**

**22600/22601 Handle, Door Inside**  
 B22600B 58-63 .....28.95  
 B22600B 64-66, RH.....22.25  
 B22600D 68-71 RH front or rear .....29.95  
 B22601D 68-71 LH front or rear.....29.95  
 B22601B 64-66, LH.....22.25  
 B22601T 58-63, tool, door handle removal .....10.95

**22620-22621 Escutcheon, Door Handle Inside**  
 B22620A 64-66, metal, pair.....13.95

•• NOTE •• For 61-63 see B303A20 A or C

**22624 Spring, Door and Window Handle**  
 B22624D 58-63 ..... 1.65

**22800 Door Hinge Spring**  
 B22800S 67-71 .....2.00



**B22811CX**



**B22800BX**

**22800-22801 Hinge Assembly, Door, Upper, Rebuilt, Exchange**  
 B22800AX 58-60, RH.....36.95  
 B22801AX 58-60, LH.....36.95  
 B22800BX 61-63, RH.....36.95  
 B22801BX 61-63, LH.....36.95  
 B22800CX 64-66, RH.....36.95  
 B22801CX 64-66, LH.....36.95  
 B22800DX 67-71 RH upper or LH lower front door .....49.95  
 B22801DX 67-71 LH upper or RH lower front door .....49.95  
 B22800EX 67-71 RH upper rear door .....49.95  
 B22801EX 67-71 LH upper rear door .....49.95  
 •• CORE •• Core must be sent first.

**22810-22811 Hinge Assembly, Door, Lower, Rebuilt, Exchange**  
 B22810AX 58-60, RH.....36.95  
 B22811AX 58-60, LH.....36.95  
 B22810BX 61-63, RH.....36.95  
 B22811BX 61-63, LH.....36.95  
 B22810CX 64-66, RH.....36.95  
 B22811CX 64-66, LH.....36.95  
 B22810EX 67-71, RH lower rear door.....49.95  
 B22811EX 67-71, LH lower rear door .....49.95

•• CORE •• Core must be sent first.

**22841 Bushing, Door Hinge**  
 B22841A 58-69, 2 required per hinge .....1.25



**B22917A**

**22916 Handle, Vent Window**  
 B22916A 58-60, RH.....19.50  
 B22916B 61-63, RH.....18.50  
 B22917A 58-60, LH.....19.50  
 B22917B 61-63, LH.....18.50  
 B22916S 58-60, button spring .....0.75

**22926 Spring, Door Vent Window Pivot**  
 B22926A 61-63.....17.00

**23030 Bumper, Doors and License Plates**  
 B23030A 58-60, door, 1 required per door  
 58-60, front license plate, 1 required .....2.60  
 58-60, rear license plate, 2 required .....2.60  
 B23030C 64-66, at belt line .....2.00  
 B23030D 67-71, 2 door, upper .....1.50  
 B23030E 67-71, front or rear door, lower .....2.85

**23240 Roller Assembly, Window Regulator**  
 B23240 58-60, plastic.....2.75  
 B23240M 58-60, metal.....9.00  
 B23240B 61-66 .....1.75

**23279 Coupler, Power Seat**  
 B23279 58-60 .....11.20  
 •• NOTE •• See also 23440



**B23342A**

**23342 Handle Assembly, Window**  
 B23342B 58, black knob.....31.95  
 B23342A 59-60, white knob .....32.95  
 B23342B 61-63.....32.95  
 B23342C 64-66 .....15.95  
 B23342E 68-71, without knob .....14.95  
 B22601T 58-63, handle removal tool .....10.95

•• NOTE •• For rear window cranks see 30322

**23352 Knob, Window Handle**  
 B23352A 68-71, Black.....4.95  
 B23352B 68-71, White.....4.95  
 B23352C 68-71, Red.....4.95  
 B23352D 68-71, Blue.....4.95  
 B23352E 68-71, Green.....4.95

**23362 Window Knob Screw Hole Cover**  
 B23362 68/71 .....1.25

**23370 Plate, Nylon, Behind Door and Window Handle**  
 B23370A 65-67 .....1.00  
 B23370 58-64 .....1.00  
 B23370C 68-71 .....1.00



**B23395DR**



**B23395ER**

**23394/5 Gear, Power Windows**

B23395DR Flat gear to repair 61-64 door or 61-63 1/4 window gear ..... 29.95

B23395ER Worm gear to repair 61-64 door or 61-63 1/4 window gear ..... 29.95

•• **NOTE**•• For 58-60 rear window gear assembly see 30304.

•• **NOTE**•• For 65-66 door window & 64-66 rear window gear assembly see 14553 and 234A24.

**23396 Gasket or Cover Plate, Window Motor Gear Housing**

B23396A 64-66, gasket ..... 1.95

B23396B 64-66, cover plate ..... 4.95



**B23402R**



**B234A24B**



**23440**

**23402-23403 Gear, Manual Vent Window**

B23402R 64-66, RH..... 34.95

B23403R 64-66, LH..... 34.95

**234A24 Gear Assembly, Window Regulator Drive**

B234A24B 65-66 door and 64-66 rear window..... 24.95

B234A24C 67-71..... 24.95

B234A24D 67-71, 1/4 window..... 75.00

•• **NOTE**•• For power window / seat motor coupling see B23396A, B23396B

**23440 Coupling, Window or Seat Regulator Drive**

23440 58-60, window ..... 15.00

B23440B 61-64, window ..... 11.65

•• **NOTE**•• See also 23279

**23552 Plastic Guide, Lower Door Hinge**

B23552P 58-66..... 2.95

**237A22-237A23 Door Panel Aluminum**

B237A22AR 61, early 62, with manual windows, RH ..... 95.00

B237A22BR 61, early 62, with power windows, RH..... 95.00

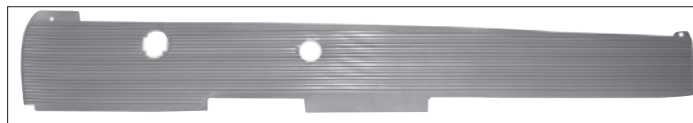
B237A22CR Late 62-63, with manual windows, RH..... 95.00

B237A22DR Late 62, with power windows, RH ..... 95.00

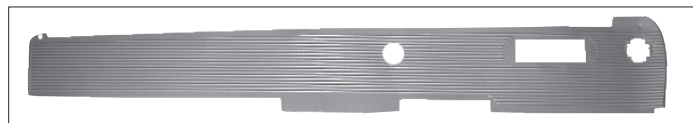
B237A22ER 63, with power windows, RH..... 95.00

B237A22TL Late 62-63, nail strip, long..... 8.95

B237A22TS Late 62-63, nail strip, short..... 4.95



**B237A22BR**



**B237A23DR**



**B237A23IR**

B237A23AR 61-early 62, coupe with manual windows, LH..... 95.00

B237A23BR 61-early 62, convertible with manual windows, LH.... 95.00

B237A23CR 61-early 62, coupe with power windows, LH..... 95.00

B237A23DR 61-early 62, convertible with power windows, LH..... 95.00

B237A23ER Late 62-63, coupe, manual windows, without remote mirror, LH..... 95.00

B237A23FR Late 62, convertible with manual windows, LH..... 95.00

B237A23GR Late 62, coupe with power windows, LH..... 95.00

B237A23HR Late 62, convertible with power windows, LH..... 95.00

B237A23IR 63, coupe, manual windows, with remote mirror, LH 95.00

B237A23JR 63, convertible, manual windows, without remote mirror, LH..... 95.00

B237A23KR 63, convertible, manual windows, with remote mirror, LH..... 95.00

B237A23LR 63, coupe, power windows, w/o remote mirror, LH . 95.00

B237A23MR 63, coupe, power windows, with remote mirror, LH . 95.00

B237A23NR 63, convertible, power windows, without remote mirror, LH..... 95.00

B237A23OR 63, convertible, power windows, with remote mirror, LH..... 95.00



**B237A22TS**

B237A22TL Late 62-63, nail strip, long..... 8.95

B237A22TS Late 62-63, nail strip, short..... 4.95

**237A24 Door Panel Retainer**

B237A24CK 61-63, chrome, 4 pieces ..... 82.95

B237A24DK 64-66, chrome, 8 pieces ..... 52.95

**24046 Insert, Door Panel Cup**

B24046BK 65-66, Black..... 4.25

B24046BR 65-66, Red..... 4.25

B24046DR 65-66, Dark red..... 4.25

B24046PR 65-66, Parchment..... 4.25

B24046WT 65-66, White..... 4.25

**24110 Bracket, Door Panel Cup**

B24110PR 65-66, pair ..... 15.95

**24140 - 24141 Arm Rest**

B24140A 61-62 RH, black..... 129.95

B24141A 61-62 LH, black ..... 129.95

**24142 Cup, Door Panel**

B24142A 58-60 / late 62-63, Black, pair ..... 21.95

B24142CR 66, Red..... 12.95

B24142CB 66, Black..... 12.95

B24142CW 66, White..... 12.95

**24146 Clip, Armrest to Door Panel**

B24146 67-71..... 1.90

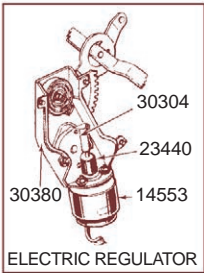
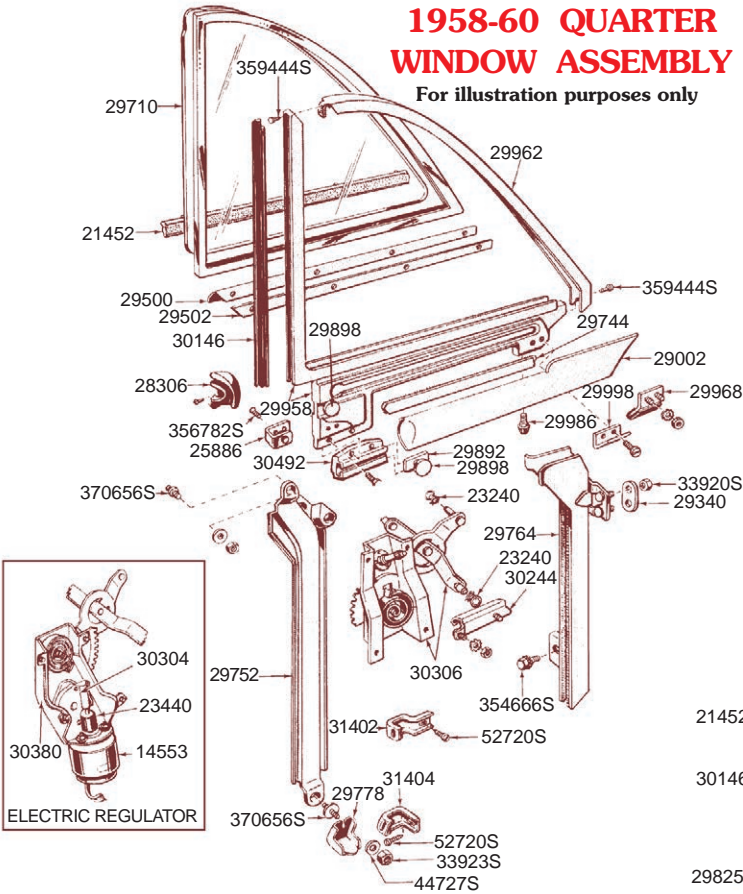
B24146B 64-66, rear armrest..... 3.95

**10% Quantity Discount on Prepaid \$1000.00 orders. See back of order form**

**Gift Certificates Available**

**1958-60 QUARTER WINDOW ASSEMBLY**

For illustration purposes only

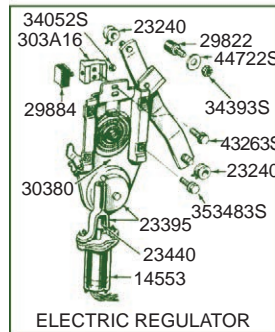
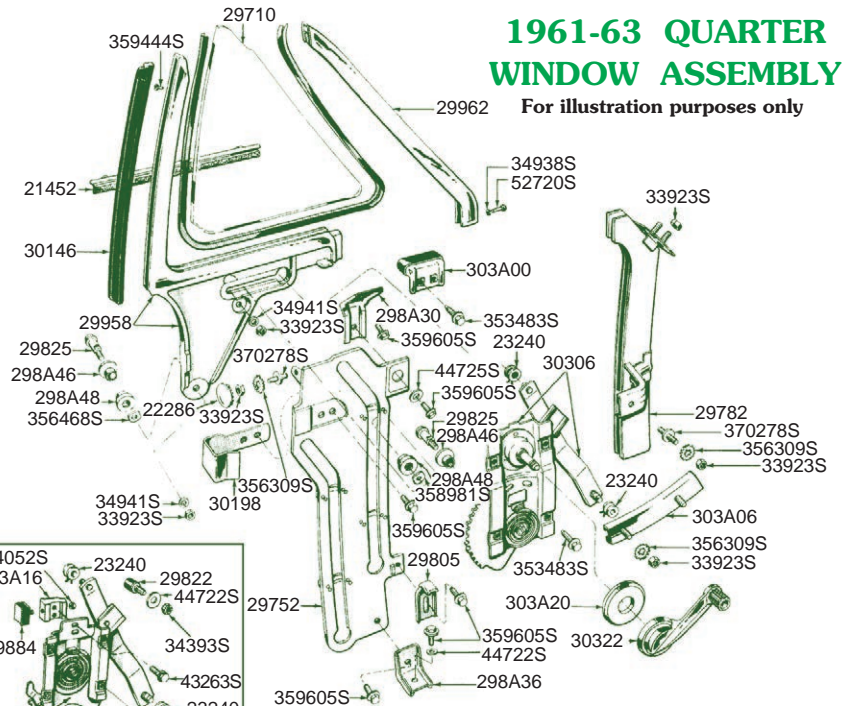


ELECTRIC REGULATOR

Looking for New Window Glass?  
See page 192

**1961-63 QUARTER WINDOW ASSEMBLY**

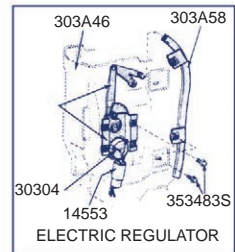
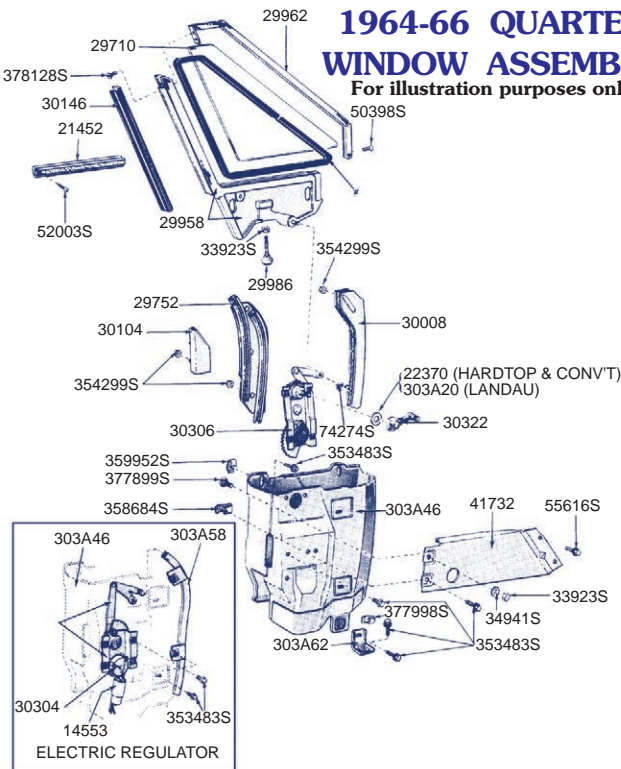
For illustration purposes only



ELECTRIC REGULATOR

**1964-66 QUARTER WINDOW ASSEMBLY**

For illustration purposes only



ELECTRIC REGULATOR

*Thunderbird*

B25622A

*Thunderbird*

B25622B

**25622 Nameplate, "THUNDERBIRD"**

B25622A	63-64	34.95
B25622B	65-67	34.95

•• NOTE •• For other applications see 16098

**265A06 Shim, Striker Plate**

B265A06A	65-71	1.45
----------	-------	------

**27986-27987 Fender Skirt Seals**

B27986A	58-60, pair	13.50
B27987ES	61-63, pair, die cut	24.95
B27987FS	64-66, pair, die cut	24.95

• **HWK244** Staples, 50 pieces ..... 3.50

•• NOTE •• See ACC23D for fender skirt bags.



B28306-7A



B28306-7B



B28306-7C

**28306-28307 Quarter Post Seals**

B28306-7A	58-60, pair	22.95
B28306-7B	64-66, pair	18.00
B28306-7C	61-63, pair	18.00



B28984BK



B29025A

**28984 Ornament, Quarter Panel**

B28984AK	60, early style, with screw holes, 9 pieces, 1 side	114.95
B28984BK	60, late style with pins, 9 pieces, 1 side	114.95

**29024 Coat Hanger Cover**

B29024	68-82, black	3.75
--------	--------------	------

**29025 Coat Hook**

B29025A	58-60, pair	9.95
---------	-------------	------

**29032/29033 Stainless Molding, Top of Door**

B29032	61-63 RH	79.95
B29033	61-63 LH	79.95
BHK37	Door peak molding clip set	17.95

**29038 Molding, Side Body Protection, includes clips**

B29038AK	62, stainless, set of 10	280.00
B29038BK	64, 66, stainless, set of 8	300.00
B29038CK	65, stainless, set of 8	300.00
B29038DK	61, stainless, set of 6	280.00
B29038R09	64-66, gas door cover, 6 1/2"	20.00
B29038R10	65, fender, RH or LH, 14 3/8"	30.00
B29038R11A	61-62, fender, RH or LH, 21 5/16"	30.00
B29038R11B	64-66, fender, RH or LH, 21 5/16"	30.00
B29038R12	64-66, rear of left 1/4, 24 1/8"	35.00
B29038R13	62, RH or LH 1/4, 44 3/8"	45.00
B29038R14	64-66, front 1/4, LH, 47 7/8"	47.00
B29038R15	61-62, door, RH or LH, 50 7/8"	50.00
B29038R16	64-66, door, RH or LH, 51 5/8"	50.00
B29038R17	64-66, 1/4, RH, 78 3/4"	75.00
B29038R18	62, die cast piece between emblems, 2 per side	12.00
B29038R19	61, RH or LH 1/4, 58", includes clips	55.00
BHK38A	61-62, clip set	45.00
BHK38B	64 / 66, clip set	49.00
BHK38C	65, clip set	49.00



B290A76B

**290A76 Ornament, Quarter Panel**

B290A76B	62, 6 required	28.95
----------	----------------	-------



**29078-29079 Molding, Quarter Panel Extension**

B29078-9R	67-71, pair	35.00
-----------	-------------	-------

**291A24-291A25 1/4 Panel Molding End Cap**

B291A24	61-63, RH	31.95
B291A25	61-63, LH	31.95

**29140-29141 Molding, Rear Quarter Panel, Top, Stainless**

B29140R	61-63, RH or LH	99.95
• <b>BHK36</b>	61-63, clips only, 16 pieces, 1 molding	31.95

•• NOTE •• For fender top stainless see 16036 & 16037

**29144 Clip, Molding**

B29144A	61-63, "tooth" clip for top fender moldings, steel	4.35
B29144B	61-63, anti-rattle clip, plastic	1.60

**29232 Coat Hanger Retainer**

B29232	67-71 use with 29024 cover	3.75
--------	----------------------------	------



**29246-29247 Extension, Quarter Panel**

B29246A	58-60, RH	110.00
B29247A	58-60, LH	110.00

**29500-29501 Seal, Quarter Window Frame**

B29500	58-60, includes retainers and screws	9.95
--------	--------------------------------------	------

Looking for Convertible Tops?  
See page 111



**29710 Quarter Window Glass**

B29710A	58-60, clear.....	21.95
B29710B	58-60, tinted.....	21.95
B29710C	61-63, right, clear.....	89.95
B29710D	61-63, left, clear.....	89.95
B29710E	61-63, right, tinted.....	94.95
B29710F	61-63, left, tinted.....	94.95
B29710G	64-66, hardtop, clear.....	30.00
B29710H	64-66, hardtop, tinted.....	30.00
B29710I	64-66, convertible, clear.....	30.00
B29710J	64-66, convertible, tinted.....	30.00

•• NOTE •• Drop shipped from factory.

**29898 Window Roller**

B29898	58-60, quarter window, 1 required.....	7.95
--------	--	------

**30146-30147 Weatherstrip, Quarter Window Front**

B30146-7A	58-60, without metal insert, pair.....	22.75
B30146-7B	61-63, without metal insert, pair.....	28.95
B30146-7C	61-63, with metal insert, pair.....	34.95
B30146-7D	58-60, with metal insert, pair.....	34.95
B30146-7E	64-66, with metal insert, pair.....	29.95



**B303A20A**

**303A20 Escutcheon, Door or Window Handle**

B303A20A	61-63, single bevel.....	12.25
B303A20C	61-63, double bevel.....	12.25



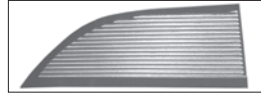
**B30322B**

**30322 Handle, Quarter Window**

B30322B	61-63.....	29.95
B30322C	64-66.....	15.95
B30322E	68-69, without knob.....	15.95

•• NOTE •• For 58-60 quarter window cranks see 23342

•• NOTE •• For door window cranks see 23342



**B310A03**

**310A02-310A03 Rear Seat Quarter Trim Aluminum**

B310A02	61-63, RH.....	25.00
B310A03	61-63, LH.....	25.00

**31490/1 Bracket, Quarter Panel Trim Attaching**

31490-1	64-66 convertible, pair.....	29.95
---------	------------------------------	-------

**33538 Filter, Power Steering Reservoir Oil**

B33538A	58-59, 62-64, 2 3/8" diameter.....	28.95
33538	58-64, large filter, 3" diameter.....	19.95

**33547 O-Ring, Power Steering Reservoir to Pump**

33547	58-64, 2 required.....	1.50
-------	------------------------	------

**33896 Wing Nut**

33896S	58-64, power steering oil reservoir cover, 58-69, battery bolt.....	0.85
--------	--	------

TRUNK & REAR BACK GLASS

**403B34 Shield, Lower Back Panel**

B403B34A	61-63, hardtop, pair.....	12.74
B403B34C	64-66, convertible, rear deck lid.....	134.95

**403C40 Stone Deflector, Rear Bumper**

B403C40	64-66, hardtop pair.....	14.95
---------	--------------------------	-------

**403C50 Seal, Body to Trunk Lid**

B403C50	64-66, hardtop, black.....	26.95
B403C50B	64-66, hardtop, with clips, black.....	34.95
B403C50G	64-66, hardtop, gray.....	26.95
B403C50GB	64-66, hardtop, gray with clips.....	32.95
B403C51	64-66, clip only, 16 required.....	0.90

**BTLI58 Kit, Trunk Lid Insulation**

BTLI58	58-60, 8 pieces.....	49.95
--------	----------------------	-------

**40560 Gas Filler Door**

B40560	61-63.....	79.95
--------	------------	-------

**406A10 Cylinder, Convertible Trunk Lid, Hydraulic**

B406A10A	Late 59-60, 2 required.....	129.00
B406A10B	61-62, early, 2 1/4" diameter, 2 required.....	129.00
B406A10C	62-63, late style, 1 3/4" diameter, 2 required.....	129.00
B406A10DR	64, RH.....	129.00
B406A10DL	64, LH.....	129.00
B406A10E	65-66, 2 required.....	129.00

**41868 Rubber Stop, Rear Counterbalance**

B41868A	58-60, convertible, pair.....	6.95
---------	-------------------------------	------

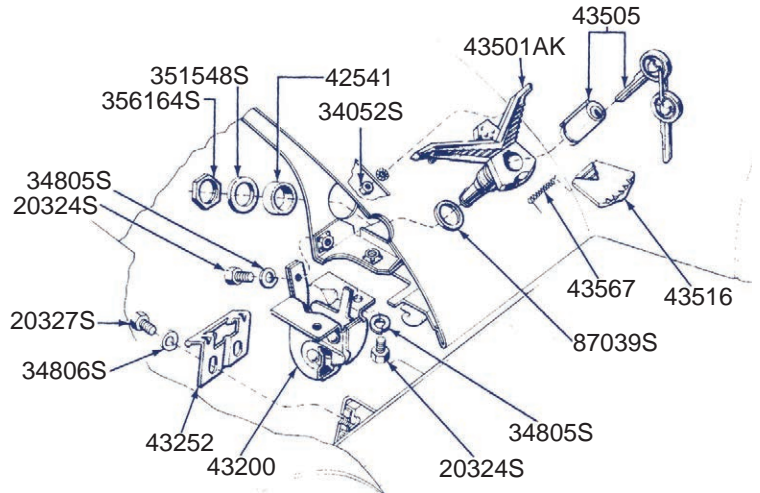
**42006 Rear Window**

B42006A	58-60, clear back window glass, tempered.....	475.00
B42006B	58-60, tinted back window glass, tempered.....	495.00
B42006C	61-63, clear back window glass, tempered.....	575.00
B42006D	61-63, tinted back window glass, tempered.....	595.00
B42006E	64-66, clear back window glass, tempered.....	475.00
B42006F	64-66, tinted back window glass, tempered.....	495.00
B42006G	66, Landau clear back window glass, tempered.....	475.00
B42006H	66, Landau tinted back window glass, tempered.....	495.00
B42006I	67-69, clear back window glass, tempered.....	475.00
B42006J	67-69, tinted back window glass, tempered.....	495.00

•• NOTE •• All glass drop shipped from factory. Windshields and backglass must be shipped to business address.

**42084 Weatherstrip, Back Glass**

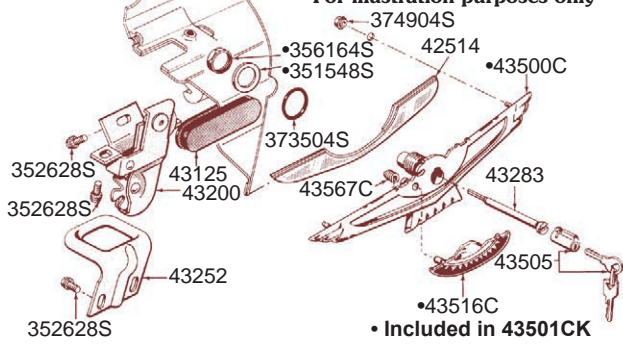
B42084A	58-60.....	159.95
B42084B	61-63.....	99.95
B42084C	64-66, except 66 Town models.....	114.95



**1958-59 TRUNK LOCK ASSEMBLY**

1961-63 TRUNK LOCK ASSEMBLY

For illustration purposes only



• Included in 43501CK

42413 Retainer, Outside Molding

B42413B 66-71, back window or windshield.....0.50



B424A62



B424A62B

424A62 Drain Tubes, Trunk

B424A62 64-66, pair, hardtop only.....59.95  
 B424A62B 67-71, pair.....55.00

42512 Molding, Trunk Lid

B42512R 67-71.....49.95



42514 Ornament, Trunk Lid, Plastic Insert

B42514A 61-63.....19.95

42541 Spacer, Trunk Ornament

B42541A 58-59, beveled spacer.....4.50  
 B42541B 60, beveled spacer.....4.50

427A52/3 Shields, Convertible Deck Cylinders

B427A52-3 61-63, pair.....249.95

43030 Hinge pin

B43030A 55-69, 1 required per hinge.....3.00

•• NOTE •• See 22841 for bushing

43125 Plug, Trunk Lock Opening

B43125B 61-63, rubber.....4.95

43200 Trunk Lid Latch

B43200D 67-71.....39.95

43226 Trunk Lock Actuator Rod

B43226 64-66.....8.25

43283 Extension, Trunk Lock

B43283A 61-63.....15.79

43358 Lever, Trunk Lock Cylinder

B43358A 64.....16.95

B43358B 65-66.....15.95

43500 Retainer, Trunk Lid Ornament, Chrome

B43500C 61-63.....51.95

•• NOTE •• For complete assembly see 43501



B43501ACK



B43501BK



B43501CK

43501 Trunk Lid Ornament Assembly

B43501AK 58-59, hardtop.....79.95  
 B43501ACK 58-59, convertible.....104.95  
 B43501BK 60, hardtop.....99.95  
 B43501BCK 60, convertible.....109.95  
 B43501CK 61-63 hardtop, includes 43500C, 43516C, 43567C, 351548S, and 356164S.  
 Does not include 42514 plastic insert.....84.95  
 B43501CCK 61-63, convertible.....96.95  
 B43501EK 64, base, lid, hinge and insert.....79.95  
 B43501FK 65-66, base, lid, hinge and insert.....79.95



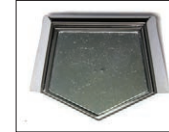
B43505F

43505 Cylinder and Keys, Trunk

43505 58-59 / 61-63, reproduction.....22.40  
 B43505D 60.....30.95  
 B43505F 65-66.....29.95



B43516C



B43516F



B43516H

43516 Cover, Trunk Key Opening

B43516A 58-59, coupe.....20.95  
 B43516AC 58-59, convertible.....19.95  
 B43516B 60, coupe.....34.95  
 B43516BC 60, convertible.....34.95  
 B43516BS 60, cover retainer, coupe.....1.95  
 B43516BCS 60, cover retainer, convertible.....1.95  
 B43516C 61-63, coupe, bird head.....34.95  
 B43516CC 61-63, convertible, bird head.....34.95  
 B43516E 64, lid hinge and insert.....42.95  
 B43516F 65-66, lid, hinge and insert.....42.95  
 B43516G 64, insert.....7.00  
 B43516H 65-66, insert.....7.00

43567 Spring, Trunk Lid Ornament Cover

B43567A 58-59.....1.50  
 B43567B 60, coupe, 2 required.....2.50  
 B43567C 61-63, coupe.....1.95

43568 Rod, Trunk Ornament Lid

B43568A 58-59, coupe, stainless.....1.25

43625 Gasket, Trunk Lid Lock Housing

B43625A 64.....1.50  
 B43625B 65-66.....1.65

43720 Weatherstrip, Trunk Lid

B43720A 64-69, hardtop.....29.95  
 B43720B 64-65, convertible, 23 piece set, before 2/15/65...285.95  
 43720 58-63, hardtop.....23.95  
 B43720D 58-60, convertible, 4 piece set.....84.95  
 B43720E 61-63, convertible, 4 piece set.....89.95  
 B43720F 65-66, convertible, 16 piece set, from 2/15/65.....285.95

465A10-465A11 Seal, Package Tray

B43720D-E 58-63, convertible, 63" long.....15.95  
 B465A10C 61-63, convertible, replacement  
 64-66, convertible, pair, horseshoe shaped.....11.50

46593 Coupler, Flip Lid Motor To Drive Transmission

B46593 60-66.....15.95

New Deluxe Key Blanks  
 see page 117.

- 501A14 Clamp, Tonneau Cover**  
 B501A14 58-66, clamps to 54810 loop .....8.95  
**501A36 Wing Screw, Tonneau Cover**  
 B501A36 58-66, with retainer ..... 16.50



B50270B



B50286A

- 50270-50286 Ornament, Roof**  
 B50270B 59 .....41.95  
 B50286A 60 .....40.50  
**50412 Bushing, Convertible Top Rear Side Rail to Power Cylinder**  
 B50412A 61-66, 4 required.....2.95  
**50508 Handle, Convertible Top**  
 B50508A 64-66, chrome.....30.95



B50518AK



B50518BK

- 50518 Latch, Convertible Top**  
 B50518AK 64-66 includes handle and J hook ..... 124.95  
 B50518BK 61-63, pair ..... 199.95



B50536A

- 50536 J Hook, Convertible Latch**  
 B50536A 64-66 .....9.95  
**50600 Cylinder, Convertible Top Hydraulic**  
 B50600A 58-59, 2 required..... 129.00  
 B50600B 60, RH..... 129.00  
 B50600C 60, LH..... 129.00  
 B50600D 61-62, 2 required..... 129.00  
 B50600E 63, 2 required..... 129.00  
 B50600F 64-66, 2 required..... 129.00

- 51222-51223 Weatherstrip, Roof Rail**  
 B51222-3A 58-60, Hardtop, pair.....210.95  
 B51222-3B 61-63, Hardtop, pair.....210.95  
 B51222-3C 66, Hardtop without rear side windows, pair..... 119.95  
 B51222-3D 64-66, Hardtop, pair..... 119.95

- 51278 Tacking Strip, Convertible top**  
 B51278D 58-66, replacement aluminum rear tack strip .....209.95

- 51338 Weatherstrip, Folding Top, No.1 Bow, Front**  
 B51338A 58-60, convertible top header trim seal.....30.95  
 B51338BR 61-66, black .....50.95  
 B51338CR 61-66, white .....50.95  
 B51338DR 61-66, beige .....42.95

- 514A00-514A01 Tip, Convertible Top, Wire-On**  
 514A00 58-60, RH..... 8.25  
 514A01 58-60, LH..... 8.25

- 51563 Weatherstrip, Convertible Top**  
 B51563ARK 58-60, 6 piece set, includes 51562, 51563, 51564, 51565, 51566, 51567 .....325.50  
 See 35222S for T-bolts

- NOTE ••  
 B51563BRK 61-63, 7 piece set, includes 51562, 51563, 51564, 51565, 51566, 51567 and 53986, includes T-bolts.235.00

- NOTE ••  
 B51563CRK 64-66, 7 pieces, includes header, top resting pads, T-bolts.....245.00



B517A08A



B517A18A



B517A18B



B517A18C



B517A18D



B517A18E



B517A18F



B517A18G

- 517A08 Retainer, Roof Side Ornament, Chrome**  
 B517A08A 61/63 .....39.95

- 517A18 Side Roof Ornaments / Landau Bars**  
 B517A18A Thunderbird emblem, 64, all with painted roof .....44.95  
 B517A18B Thunderbird emblem, 66, all with painted roof .....44.95  
 B517A18C Thunderbird emblem, 65, all with painted roof .....44.95  
 B517A18DB 62-63 Landau Bars with black paint, pair .....89.95  
 B517A18DW 62-63 Landau Bars with white paint, pair .....89.95  
 B517A18E 64 Landau Bars, pair .....89.95  
 B517A18FB 65 Landau Bars with black paint, pair .....89.95  
 B517A18FW 65 Landau Bars with white paint, pair .....89.95  
 B517A18GB 66 Landau Bars with black paint, pair .....89.95  
 B517A18GW 66 Landau Bars with white paint, pair .....89.95  
 •• NOTE •• Medallions for Landau Bars must be purchased separately.  
 •• NOTE •• For Landau Bar medallions please see 517A20.



B517A20A



B517A20BR



B517A20F



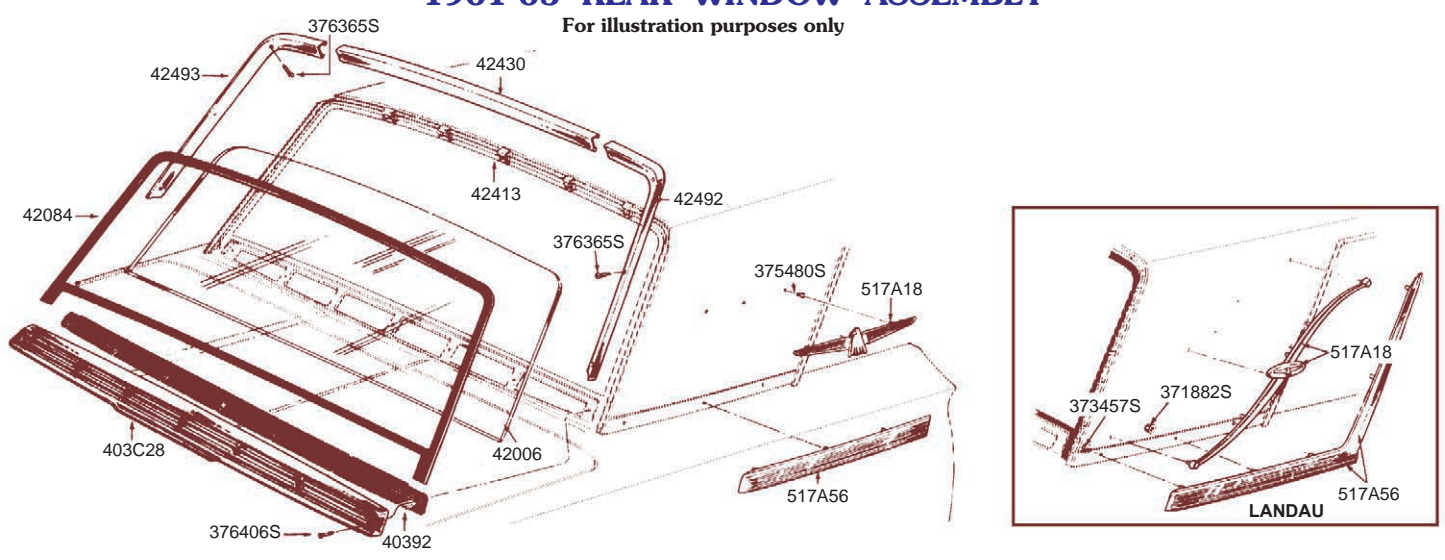
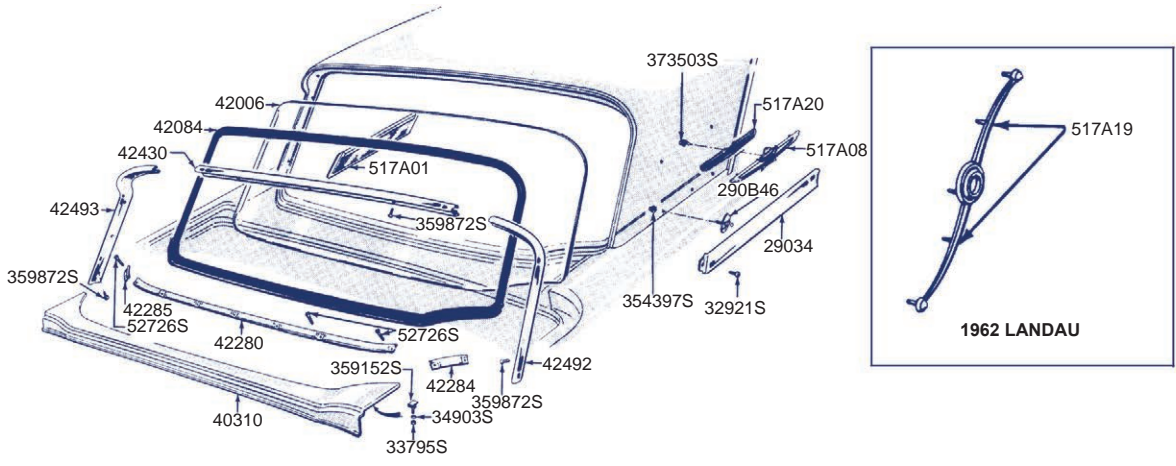
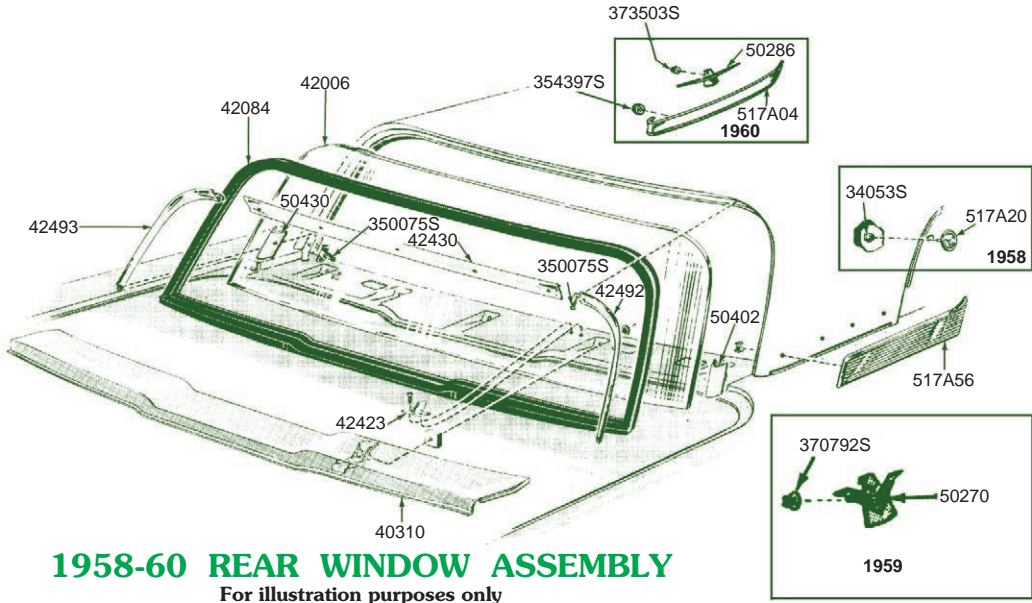
B517A20D



B517A20GB

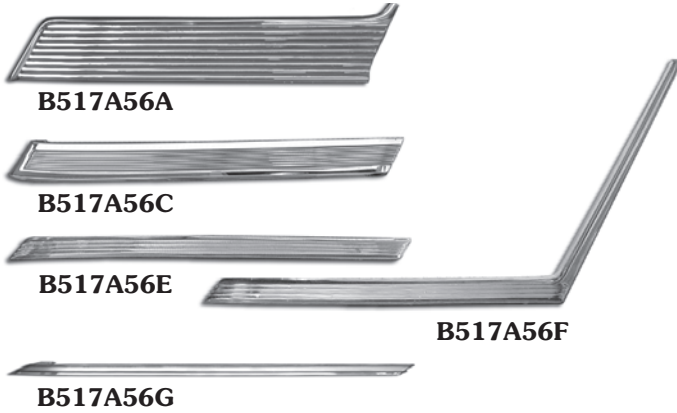
- 517A20 Plastic Emblem, Roof Side**  
 B517A20A 58 / 62-63 Landau, emblem only, black .....24.95  
 B517A20BR 58, bezel and emblem, pair .....92.95  
 B517A20C 61-63, non-Landau .....20.95  
 B517A20D 66, Landau, emblem only .....24.95  
 B517A20F 62-63, Landau, emblem only, white .....24.95  
 B517A20GB 64, Landau, black .....30.95  
 B517A20GW 64, Landau, white .....30.95

**We have convertible top manuals  
 see page 120.**



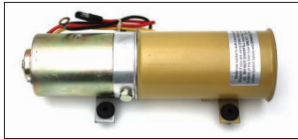
**517A56 Side Roof Molding**

B517A56A	58-59, pair .....	98.95
B517A56C	60, grooved type, pair.....	98.95
B517A56E	64, standard type, pair.....	98.95
B517A56F	64, Deluxe type, for use with Landau Bars, pair.....	120.00
B517A56G	65-66, hardtop, pair .....	98.95



**52806 Cables, Convertible Top**

B52806C	64-66, pair .....	48.95
---------	-------------------	-------



**B533A00B**

**533A00 Motor Assembly, Convertible Hydraulic Lift Pump**

B533A00B	58-66, pump and motor, with reservoir can.....	289.00
----------	--	--------



**B53310A**



**B53310B**

**53310 Gear Housing, Back Panel**

B53310A	59-63.....	199.95
B53310B	64-66.....	199.95

**53311 Gear, Gear Housing**

B53311A	59-66, worm gear in 53310 housing.....	130.00
B53311B	59-66, flat gear in 53310 housing.....	89.95

**53456 Hose Sets, Convertible Top**

B53456A	58-59, 2 required.....	129.95
B53456B	60, 5 piece set.....	295.00
B53456C	61-62, early, 2 1/4" diameter lid cylinder, 5 piece set.....	295.00
B53456D	62-63, late, 1 3/4" diameter lid cylinder, 5 piece set.....	295.00
B53456E	64-66, 5 piece set.....	295.00

**53986 Weatherstrip, Convertible Top, Front**

B53986A	58-60.....	54.95
B53986B	61-63.....	42.95



**54000-54001 Arm Pads, Convertible Top**

B54000-1A	58-60, pair .....	82.95
B54000-1B	61-63, pair .....	82.95
B54000-1C	64-66, pair .....	75.00

**54810 Footman's Loop, Tonneau Cover**

B54810	58-66, to receive 501A14 clamp.....	3.25
--------	-------------------------------------	------

**SEATS**

**606A08 Ornament, Rear Package Tray**

B606A08B	61-62 / 62-63 "M" air cleaner.....	35.95
----------	------------------------------------	-------

**60796 Seal, Package Tray**

B43720-3	58-63, hardtop .....	13.95
----------	----------------------	-------

**61076 Handle, Reclining Seat**

B61076	64-66.....	39.95
--------	------------	-------

**61643 Seat Stop Pads**

B61643	61-66, 2 pads with screws and nuts, does 1 seat.....	11.25
--------	--	-------

**61694 Hinge Covers, Bucket Seat**

B61694B	61-62, Black, per seat.....	30.95
B61694C	61-62, Bone, per seat.....	30.95
B61694D	61-62, Red, per seat.....	30.95
B61694E	61-62, Blue, per seat.....	30.95
B61694F	61-62 Turquoise, per seat.....	30.95
B61694G	62, Chestnut, per seat.....	30.95
B61694H	62, Silver blue, per seat .....	30.95

**61695 Hinge Covers, Bucket Seat**

B61695B	63, Black, does 2 seats .....	74.95
B61695C	63, Pearl beige, does 2 seats.....	74.95
B61695D	63, Red, does 2 seats .....	74.95
B61695E	63, Blue, does 2 seats.....	74.95
B61695F	63, Turquoise, does 2 seats.....	74.95
B61695G	63, Chestnut, does 2 seats.....	74.95
B61695H	63, Silver blue, does 2 seats.....	74.95
B61695I	63, Rose beige, does 2 seats.....	74.95
B61695J	63, Light gold, does 2 seats.....	74.95



**B61697A**



**B62140BKB**

**61697 Trim Set, Bucket Seat Hinge Cover**

B61697A	61-63, chrome, 3 pieces, per seat.....	30.95
---------	--	-------

**61753 Handle, Front Seat Adjusting**

B61753B	62-63, bucket seat, manual .....	3.95
---------	----------------------------------	------

**62140 Hinge Covers, Bucket Seat**

B62140BKB	58-60, Black, set of 4 .....	30.95
B62140BKC	58-60, Red, set of 4 .....	30.95



**62162**

**62162 Bucket Seat Trim Panels**

B62162B	61-63, black, 2 piece set, does 1 seat.....	98.95
---------	---	-------



**63520 Emblem, Seat**

B63520BB	63-65, Black.....	30.55
B63520BPB	63-65, Pearl beige .....	30.55
B63520BR	63-65, Red.....	30.55
B63520BRB	63-65, Rose beige.....	30.55
B63520BSB	63-65, Silver blue .....	30.55
B63520BW	63-65, White.....	30.55
B63520BP	63-65, Parchment.....	30.55
B63520BL	63-65, Blue .....	30.55
B63520BT	63-65, Turquoise .....	30.55
B63520BI	63-65, Ivy gold .....	30.55

17758S	58-67 bumper bolt, replacement .....	1.75
17758XS	58-67 bumper bolt, show quality .....	2.50
B29144A	61-63, "tooth" clip for top fender moldings, steel .....	4.35
B29144B	61-63, anti-rattle clip, plastic.....	1.60
42143S	Screw, accelerator pedal.....	0.30
45218S	58-60, locknut, power steering ram .....	0.25
74172S	58-63, power steering pump woodruff key .....	0.50
77265S	58-66, throttle shaft o-ring .....	0.95
87215S	65-66, brass connector, power steering hose to tube... 1.75	
87924S	Zerk fitting, 90° .....	1.50
87972S	Brass fitting, fuel filter, except 430 .....	3.95
95503S	62-63, twist fastener trunk mat, jackflap .....	1.95
97333S	58-62, heater hose clamp, Corbin type (wire type) .....	0.75
351385S	Washer, 3/8" thick for exhaust manifolds .....	1.15
351548S	58-63, washer, trunk lid ornament.....	1.00
B352222S	58-66, T-Bolt, soft top weatherstripping, 18 required.. 1.85	
352284S	61-66, rubber plug, 1 1/4" round .....	1.65
352285S	61-66, rubber plug, 1 1/2" round .....	1.95
352471S	58-63, rollpin, vent handle .....	0.40
352999SR	58-63, wiring clip.....	3.25
353000S	58-60, wiper arm nut.....	4.95
353055S	58-66, gas tank drain plug .....	2.50
353483S	61-63, license plate bumper .....	1.75
353499S	64-66, wiper shaft beveled washer.....	4.95
353846S	58-64, Eaton power steering pump pulley thick mounting washer .....	2.95
354573S	58-60, front spindle nut .....	3.95
354668B	58-64, without A/C, power steering pump reservoir lid bolt .....	6.95
354721S	59-60, rear spring center bolt .....	4.50
354860S	61-62, door bumper at latch .....	2.35
354899S	58-60, screw, parking light lens .....	1.00
356164S	61-63, nut, trunk lid ornament .....	1.70
357466S	Brass elbow, fuel pump to flex line .....	3.95
357550S	58-66, clip, handle retaining .....	0.35
358575S	58-60, door panel clip .....	0.35
9600B57	58-71, air cleaner wing nut .....	2.00
9600BRC57	58-71, wing nut, chrome.....	3.00
358898S	64-65, tail light lens screw.....	1.00
359152S	61-63, rear cowl clip, 5 required .....	5.95
352974S	Wire clip on valve covers .....	2.00
359613S	Captive square nut, radiator to lower crossmember on 58-60 Thunderbirds, 61-63 lower fender retaining nut..... 6.95	
359952S	61-65, retainer nut, radiator to fan shroud, 3 required. 2.00	
360002S	2 wire connector.....	2.75
367003S	61-66 inner fender stud, 4 required/64-66 8 required... 4.95	
370034S	58-60, fender skirt pin, 2 per side .....	2.00
370695S	61-66, fender skirt pin, 4 per side .....	2.00
371476S	58-65, wiper bezel nut .....	6.95
371477S	61-65, park light lens screw, 61, tail light lens screw .....	1.00
371612A	61-63, back up light lens screw, 62 tail light lens .....	1.00
371612B	58-61, transmission cooler line fitting, 2 required..... 4.75	
371612C	62-64, transmission cooler line fitting, short..... 13.95	
372617S	62-64, transmission cooler line fitting, long..... 18.95	
372856S	61-64 lower door bumper or 64-66 gas door .....	5.00
373503S	63, tail light lens screw .....	1.00
374269S	3/16" pal nut.....	0.20
375476S	61-66, o-ring, upper control arm bushing .....	1.10
376328S	61-63 screw type booster vacuum port washers, pair .. 3.95	
376914S	66 park light lens screw .....	1.00
377191S	58-66, adjustable wiring strap.....	0.85
377394S	58-59, screw, tail light lens.....	1.95
377678S	61-68, PVC grommet, 390/428 .....	5.75
377901S	63-66, rubber plug, 1" .....	1.25
377949S	63-66, seat access plug, 1 1/2" x 23/64" .....	1.10
378213S	63-66, rubber plug, 7/8" .....	3.50
380369S	64-66, outside mirror set screw, stainless steel 8/32" x 5/8" .. 1.95	
380446S	64-66, console door bumper .....	1.76
381999S	66, screw tail light lens.....	1.00
390018S	58-60, trunk lid grommet, 4 required.....	1.50
700045S	Firewall fastener, plastic.....	0.45
	58-60, grommet, battery hold down .....	0.85

### Windshield Hardware Kits

BHK100	64-66, top of windshield chrome, outside, convertible, 3 pieces.....	1.95
BHK101	58-60, top of windshield chrome, outside, convertible, 4 pieces.....	1.70
BHK102	58-60, windshield outside upper corner cap, convertible, 4 pieces.....	1.85
BHK103	61-63, windshield inside upper corner, coupe, 2 sides, 4 pieces .....	2.00
BHK104	61-63, windshield outside upper corner cap, convertible, 2 sides.....	1.95
BHK105	64-66, windshield outside upper corner cap, convertible, 2 sides, 2 pieces .....	1.85
BHK106	58-60, windshield outside upper corner cap, coupe, 2 pcs. 1.65	
BHK107	58-60, windshield, upper, inside, stainless, 2 pieces .... 1.30	
BHK108	61-63, windshield, upper, inside, stainless, coupe & convertible, 3 pieces.....	1.90
BHK109	64-66, windshield, upper, inside, molding & visor brackets, 14 pieces.....	4.75
BHK110	58-63, visor brackets, 8 pieces .....	3.80
BHK111	58-60, windshield, upper, inside, stainless & visor brackets, 18 pieces.....	4.80
BHK112	64-66, visor brackets, 2 sides, 8 pieces.....	3.80
BHK113	58-60, visor brackets, center, 8 pieces.....	1.88
BHK114	64-66, center visor bracket, 2 pieces .....	1.90
BHK116	61-63, windshield inside vertical, convertible, 2 sides, 4 pieces .....	1.85
BHK117	61-63, windshield outside vertical weatherstrip retainer, convertible, 2 sides, 10 pieces .....	3.40
BHK118	58-60, windshield vertical, outside, coupe, 10 pieces... 2.25	
BHK120	61-63, windshield vertical, inside, coupe, 2 sides, 12 pcs. 3.75	
BHK122	64-66, windshield vertical, inside, 2 sides, 2 pieces..... 1.86	
BHK123	58-60, windshield vertical, inside, coupe, 4 pieces..... 2.05	
BHK124	58-60, windshield, inside, lower molding, 2 sides, 4 pcs. 1.70	
BHK125	61-63, windshield, rain gutter, convertible, 2 sides, 6 pcs. 2.25	
BHK126	64-66, windshield, rain gutter, convertible, 2 sides, 8 pcs. 12.35	
BHK127	58-60, windshield, inside, center, lower molding, 3 pcs. 1.45	

### Door Hardware Kits

BHK130	61-63, door hinge to door, 2 hinges, 1 door, 6 pieces 10.30	
BHK131	64-66, door hinge to door, 2 hinges, 1 door, 12 pcs. 12.30	
BHK132	61-63 step plate screws, 18 pieces, both sides..... 4.25	
BHK133	64-66, door hinge to body, 2 hinges, 1 side, 16 pcs. 12.30	
BHK135	64-66, door flaps to fender, 2 sides, 14 pieces..... 3.90	
BHK136	61-66, door wiring shield, 2 sides, 4 pieces .....	1.95
BHK138	63, step plates, 2 sides, 18 pieces .....	5.45
BHK139	58-60, step plates, 2 sides, 20 pieces .....	5.45
BHK140	59, studs & nuts for B20980/1, 28 pieces, both doors 12.95	
BHK141	64-66, step plates, 2 sides, 12 pieces .....	4.07
BHK142	58-60 striker plate screws, 1 sides, 3 pieces..... 7.95	
BHK143	61-63 striker plate screws, 1 sides, 3 pieces..... 7.95	
BHK144	64-66, striker plate screws, 1 sides, 2 pieces..... 7.95	
BHK145	58-60, door latch, 2 sides, 6 pieces .....	3.35
BHK148	58-60, door handle regulator, 12 pieces .....	4.55
BHK149	58-60, door window stops, 16 pieces .....	5.75
BHK150	63, remote mirror to body, 2 pieces .....	1.85
BHK151	64 standard, outside mirror, 2 pieces .....	2.10
BHK152	64-66 deluxe, outside mirror, RH or LH.....	1.85
BHK153	58-60 outside mirror, 2 pieces .....	1.00
BHK155	61-63, door belt cap, front (20360/1), 2 sides, 4 pcs. 2.10	
BHK156	61-63, door belt cap, rear (20362/3), 2 sides, 10 pcs. 3.75	
BHK157	58-60, door panels, 18 pieces.....	13.75
BHK158	61-63, door trim panel retainer, front (237A24/5), 2 sides, 8 pieces .....	3.20
BHK159	61-63, door trim panel retainer, rear (237A26/7), 2 sides, 4 pieces .....	2.20
BHK160	58-60, inside stainless above door, 8 pieces .....	3.05
BHK161	64-66, inside molding over door, 2 sides, 6 pieces .....	2.55
BHK162	64-66, rear of door top protective molding, 2 sides, 4 pieces .....	2.20
BHK163	64-66, door panel retainer, 2 sides, 8 pieces .....	3.20
BHK167	61-63, door panel armrest cup, 2 sides, 4 pieces .....	2.20
BHK169	61-63, door light bezel, 2 sides, 4 pieces .....	2.45
BHK171	64-66, inside door handles, 2 sides, 4 pieces .....	2.05
BHK172	58-60, window regulator height guide nuts, 4 pieces ... 1.65	

BHK173	63, door bumper, 2 sides, 2 pieces.....	7.00	BHK255	58-60, dimmer switch plate, 6 pieces .....	1.85
BHK174	58-60, quarter window regulator & stop, 6 pieces.....	2.25	BHK256	58-60, glove box stop arm, 8 pieces.....	1.40
BHK175	61-63, window guide, 2 sides, 6 pieces.....	3.15	<b>Dash and Firewall Hardware Kits</b>		
BHK176	58-60, door window regulator, 12 pieces.....	4.40	BHK261	61-63, steering wheel side boot, 4 pieces.....	1.85
<b>Seat Hardware Kits</b>			BHK263	61-63, dash end caps, 2 sides 8 pieces.....	3.00
BHK180	61-63, fiberglass seat side panels, 2 seats, 16 pieces...5.25		BHK264	58-60, emergency brake release bracket, 4 pieces.....	1.50
BHK181	58-60, seat shields, lower, 2 seats, 16 pieces.....	4.25	BHK265	61-63, instrument bezel covers, 3 pieces.....	1.85
BHK182	61-63, seat hinge elbow, chrome finish, 2 sides, 2 pcs. 1.85		BHK266	64-66, instrument housing bezel, 15 pieces.....	4.95
BHK184	64, front seat back panels, 2 seats, 12 pieces .....	4.55	BHK268	64-66, instrument housing retainer plate, 6 pieces .....	2.35
BHK186	64-66, front seat back stop, 2 seats, 8 pieces .....	3.40	BHK269	58-60, radio bracket to dash, 2 pieces.....	0.80
BHK188	65, rear seat panels, 2 sides, 4 pieces.....	2.10	BHK270	64-66, radio speaker grille, 2 pieces .....	1.85
BHK190	64-66, rear seat armrest, 2 sides, 4 pieces.....	2.30	BHK273	64-66, lower dash trim, left hand, 3 pieces .....	1.85
BHK193	64-66, rear armrest top cap, 4 pieces.....	2.40	BHK274	64-66, lower dash trim, right hand, 3 pieces.....	1.85
BHK608	58-60 seat base to floor bolt kit.....	29.95	BHK275	58-60, under dash panel, 12 pieces.....	5.60
BHK609	61-63 seat base to floor bolt kit.....	29.95	BHK276	58-60, under dash panel molding, lower, 16 pieces...13.35	
BHK610	64-66 seat base to floor bolt kit.....	29.95	BHK277	58-60, under dash molding, upper, 4 pieces.....	1.65
<b>Console Hardware Kits</b>			BHK278	58-60, under dash panel and molding, 32 pieces .....	20.05
BHK200	61-63, air conditioning vent in console, 3 pieces.....	1.85	BHK279	58-60, inside side panel in front of door, 4 pieces.....	1.75
BHK201	61-63, console trim, upper, 2 sides, 9 pieces.....	4.95	<b>Soft and Hard Top Hardware Kits</b>		
BHK202	61-63, console side pieces, 2 sides, 10 pieces.....	3.55	BHK280	61-63, weatherstrip retainer, vertical short, convertible 2 sides, 4 pieces .....	2.10
BHK203	61-63, ash tray, 4 pieces.....	2.20	BHK282	58-60, convertible roof rail kit, 2 sides, 72 pieces....	26.10
BHK204	61-63, ash tray cover handle, 2 pieces.....	1.85	BHK283	58-60, coupe roof rail kit, 2 sides, 26 pieces .....	12.95
BHK205	61-63, console & dash trim, lower, 2 sides, 24 pieces 13.55		BHK285	64-66, roof rail weatherstrip, 2 sides, 24 pieces.....	18.50
BHK206	58-60, A/C dial housing, 10 pieces.....	4.00	BHK291	58-60, convertible center equalizer, 8 pieces .....	2.15
BHK207	58-60, A/C dial lower plate, 2 pieces.....	0.80	BHK292	58-60, convertible rear cylinder hinges to lid, 6 pieces.6.45	
BHK208	58-60, ash tray, front, 2 pieces .....	0.85	BHK293	58-60, convertible rear cylinder hinges to body, 16 pcs.8.30	
BHK209	58-60, ash tray, rear, 2 pieces.....	1.25	BHK295	58-60, convertible soft top foot to body, 36 pieces...13.90	
BHK210	64-66, console window switch retainer, 8 pieces.....	2.75	BHK296	58-60, soft top mechanism to foot, 32 pieces.....	14.15
BHK211	64-66, console lower molding, 2 sides, 10 pieces.....	3.75	BHK298	58-60, convertible package tray drain plug brackets, 4 pcs.1.30	
BHK212	64-66, glove box, 5 pieces.....	1.95	<b>Front Body Hardware Kits</b>		
BHK213	64-66, casting around glove box, 4 pieces .....	2.40	BHK300	63, grille, 20 pieces .....	14.30
BHK214	64-66, lid check strap, 2 pieces.....	1.85	BHK300A	60, grille, kit also includes BHK 303, 305, 310, 311, 313, 111 pieces.....	65.85
BHK215	64-66, catch, 2 pieces.....	1.85	BHK300B	58-59, grille, kit also includes BHK 305, 310, 311, 313, 75 pieces.....	60.50
BHK216	64-66, console cigar lighter & ash tray case, 10 pieces2.55		BHK301	64-65, grille, 20 pieces .....	15.15
BHK217	64-66, lid hinge, 8 pieces.....	2.75	BHK302	66, grille, 38 pieces .....	28.60
BHK218	64-66, latch, 8 pieces .....	1.94	BHK303	60, grille bar to grille, 36 pieces .....	7.75
BHK219	64-66, rear console ash tray retainer, 3 pieces .....	1.85	BHK304	61-63, grille guard, 4 pieces.....	2.50
BHK220	58-60, console, 8 pieces .....	3.10	BHK305	58-60, grille to brackets, 21 pieces.....	4.60
BHK221	Console trim, lower, 12 pieces .....	2.80	BHK306	66, grille molding, top, 2 sides, 12 pieces.....	5.15
BHK222	58-60, console trim, top, 58-60, 9 pieces.....	2.95	BHK307	66, grille molding under light (eyebrow), 2 sides, 8 pcs.5.70	
BHK223	58-60, console & trim, upper and lower, 29 pieces.....	8.15	BHK308	66, grille molding, center clip, 4 pieces.....	2.50
BHK224	58-60, radio speaker, 4 pieces .....	1.20	BHK309	66, grille molding complete, 27 pieces.....	16.00
<b>Miscellaneous Interior Hardware Kits</b>			BHK310	58-60, grille molding to bumper, lower, 24 pieces....	49.70
HWK17	58-60, screws, parklight lens, 4 pieces, 2 sides .....	3.75	BHK311	58-60, grille to lower grille molding, 16 pieces.....	5.75
HWK28	Barrel nuts for 16098, 5 pieces.....	1.35	BHK312	66, grille center ornament, 3 pieces.....	1.85
HWK35	58-59, screws, mirror base to windshield, 5 pieces.....	1.30	BHK313	58-60, bumper to grille bracket, 14 pieces.....	4.70
HWK90	58-60, gas pedal to floor, 2 pieces .....	0.75	BHK313A	58-60, front bumper, kit also includes BHK 310, 311, 316, 321, 322, 327, 328, 329, 332, 119 pieces...115.15	
HWK172	58-60 wiring protectors to doors, 2 pieces, 1 side.....	0.45	BHK314	61-63, front bumper, 24 pieces.....	27.30
HWK244	Weatherstrip staples, 50 pieces.....	3.50	BHK315	64-66, front bumper, 50 pieces.....	24.95
BHK229	58-60, quarter window regulator, 8 pieces .....	3.10	BHK316	58-60, front bumper bracket to frame, upper, 16 pcs.21.50	
BHK230	61-63, front air vent brackets, 2 sides, 6 pieces .....	4.40	BHK317	61-63, front bumper extension, 4 pieces.....	2.95
BHK231	58-60, kick panels, 2 sides, 4 pieces .....	1.95	BHK318	64-65, front bumper guard, 12 pieces .....	10.45
BHK232	61-63, kick panels, 2 sides, 8 pieces .....	3.60	BHK319	64-65, front bumper brackets to frame, 2 sides 24 pcs..9.65	
BHK233	64-66, kick panels, 2 sides, 6 pieces .....	3.10	BHK320	66, front bumper bracket, 2 sides, 32 pieces .....	15.95
BHK235	61-63, door courtesy light cover, 2 pieces.....	1.85	BHK321	58-60, front bumper to bracket, upper, 6 pieces.....	3.95
BHK236	58-60, coat hooks, 2 sides, 2 pieces.....	1.20	BHK322	58-60, front bumper bracket to frame, lower, 20 pcs.18.75	
BHK237	64-66, coat hooks, 2 sides, 2 pieces.....	1.85	BHK323	66, front valance, center, 14 pieces.....	16.85
BHK238	58-60, inside rear quarter panel, lower armrest, 6 pcs.3.60		BHK324	66, front valance bracket, center, 4 pieces.....	4.30
BHK239	61-63, inside rear quarter cover, 2 sides, 4 pieces.....	2.35	BHK325	66, front valance, side, 2 sides, 28 pieces.....	32.65
BHK240	64-66, inside rear quarter molding, 2 sides, 4 pieces...2.10		BHK326	66, front valance, side, bracket, 2 sides, 4 pieces.....	2.40
BHK241	58-60, inside rear quarter panel, upper, 6 pieces .....	3.10	BHK327	58-60, front bumper to bracket, lower, 9 pieces.....	13.85
BHK242	58-60, rear window inside top molding, 9 pieces .....	3.35	BHK328	58-60, front bumper to bracket, side, 6 pieces.....	9.80
BHK243	58-60, inside stainless, back of quarter window, 4 pcs.1.65		BHK329	58-60, front bumper bracket to frame, side, 12 pieces7.75	
BHK244	64-66, inside rear window top molding, 3 pieces.....	1.85	BHK330	61-63, license plate holder, front, 4 pieces.....	1.85
BHK245	64-66, inside rear window side molding, 2 sides, 6 pcs....2.60		BHK331	64-65, license plate holder, front, 8 pieces.....	4.85
BHK246	58-60, panel behind rear seat, 6 pieces .....	2.40	BHK332	58-60, front fender to bumper seal, 10 pieces.....	2.80
BHK247	58-60, quarter window, front corner stainless, 4 pieces1.60		BHK333	66, license bracket, front, 2 pieces .....	2.35
BHK248	58-60, back seat panel ornament, 3 pieces .....	1.30	BHK334	58-60, cowl cover, 6 pieces .....	2.35
BHK249	64-66, package tray, 10 pieces .....	3.00	BHK335	61-63, cowl cover, 24 pieces .....	4.60
BHK250	58-60, instrument bezel, bottom, 2 pieces .....	1.20	BHK336	64-66, cowl cover, 22 pieces .....	4.30
BHK251	58-60, glove box door to hinge, 8 pieces.....	2.40			
BHK252	58-60, glove box hinge to dash, 5 pieces.....	1.50			
BHK253	58-60, glove box, 7 pieces .....	4.00			
BHK254	58-60, glove box latch, 4 pieces.....	1.05			

**Electrical System Hardware Kits**

BHK337	58-60, headlight door, 4 pieces.....	1.50
BHK338	58-60, headlight bulb ring, 12 pieces.....	3.50
BHK339	58-60, headlight bucket, 12 pieces.....	3.50
BHK340	61-63, headlight bucket, 2 sides, 4 pieces.....	3.90
BHK341	64-65, headlight bucket, 2 sides, 16 pieces.....	5.85
BHK342	66, headlight bucket, 2 sides, 18 pieces.....	10.60
BHK344	61-63, headlight doors, 2 sides, 4 pieces.....	2.15
BHK345	64-65, headlight chrome door, 2 sides, 12 pieces.....	5.15
BHK346	64-65, headlight retainer ring, 2 sides, 6 pieces.....	1.90
BHK347	66, headlight door, 2 sides, 8 pieces.....	6.25
BHK352	58-60, parking light body, 12 pieces.....	3.50
BHK353	61-63, parking light body, 2 sides, 4 pieces.....	1.90
BHK354	64-66, parking light body, 2 sides, 4 pieces.....	2.40
BHK356	61-65, parking light lens, 2 sides, 4 pieces.....	4.00
BHK358	66, parking light lens, 2 sides, 8 pieces.....	2.40
BHK359	61-63, horn, 2 pieces.....	3.95
BHK360	64-65, horn, 2 sides, 4 pieces.....	4.85
BHK361	66, horn, 2 sides, 2 pieces.....	2.70
BHK362	61-63, engine compartment wire loom - left side, 16 pcs.....	8.15
BHK363	64-66, engine compartment wire loom, 2 sides, 32 pcs.....	13.25
BHK364	64-66, door light bezel, 2 sides, 4 pieces.....	2.30
BHK365	66, courtesy light, Landau only, 4 pieces.....	1.85
BHK368	64-66, tail light body, 2 sides, 12 pieces.....	6.05
BHK369	64-65, tail light lens, 2 sides, 8 pieces.....	4.00
BHK370	66, taillight lens screws 2 sides 8 pieces.....	6.50
BHK371	61-63, headlight adjusting kit, 1 side only.....	24.55
BHK372	64-65, headlight adjusting kit, 1 side only.....	39.95
BHK374	64-66, backup light body & lens, 2 sides, 8 pieces.....	3.00
BHK377	64-66, rear license plate light, 2 pieces.....	1.85

**Fenders and Hood Hardware Kits**

BHK36	61-63, molding clips, 1 molding fender/quarter, 17 pcs.....	31.95
BHK37	61-63, molding clips, top of door, 10 pieces, 1 side.....	17.95
BHK38A	61-62, body side molding clip set.....	45.00
BHK38B	64 / 66, body side molding clip set.....	49.00
BHK38C	65, body side molding clip set.....	49.00
BHK40	58, Barrel nuts to retain B20980AA, 2 pieces.....	1.00
BHK62A	65, C and feathers to fender, 15 pieces, 1 side.....	1.95
BHK378	58-60, hood vent casting, 6 pieces.....	2.40
BHK379	58-60, hood vent grille, 3 pieces.....	1.40
BHK380	61-63, hood hinge to hood, 2 sides, 8 pieces.....	5.30
BHK381	64-66, hood hinge to hood, 2 sides, 8 pieces.....	5.00
BHK382	58-60, hood hinge to hood, 4 pieces.....	4.45
BHK383	61-63, hood hinge to inner fender brace, 2 sides, 12 pcs.....	5.45
BHK384	64-66, hood hinge to inner fender brace, 2 sides, 6 pcs.....	6.65
BHK385	58-60, hood hinge to body, 16 pieces.....	12.45
BHK386	61-63, hood vent casting, 10 pieces.....	3.35
BHK387	61-63, hood ornament, 3 pieces.....	2.00
BHK388	66, hood ornament, 5 pieces.....	2.00
BHK390	61-63, hood guide latch, 6 pieces.....	9.50
BHK391	61-63, hood latch on hood, 4 pieces.....	3.20
BHK392	64-65, hood latch, 2 pieces.....	3.00
BHK393	66, hood latch, 3 pieces.....	3.55
BHK394	58-60, hood latch, side, 4 pieces.....	1.30
BHK395	61-63, hood catch, 3 pieces.....	4.30
BHK396	64-65, hood catch, 8 pieces.....	5.30
BHK397	66, hood catch, 4 pieces.....	3.15
BHK398	58-60, hood catch, side, 4 pieces.....	1.75
BHK399	61-63, hood release bar, 10 pieces.....	5.85
BHK400	61-63, fenders, complete set, 2 sides, 72 pieces.....	63.05
BHK401	58-60, hood release catch, 26 pieces.....	8.70
BHK403	61-63, fenders, bolts only, 1 side, 16 pieces.....	9.50
BHK404	64-66, fenders only, 1 side, 18 pieces.....	20.05
BHK406	58-60, front fender splash shields, 2 sides, 28 pieces.....	23.70
BHK407	64-66, fender splash shield, rear, 1 side, 8 pieces.....	5.50
BHK408	58-60, top fender ornament, 4 pieces.....	3.20
BHK409	58-60, rear bumper guard to upper bumper, 12 pcs.....	4.85

**Rear Body Hardware Kits**

BHK410	58-60, rear bumper to back panel filler (B17832A), 4 pcs.....	1.50
BHK410A	58-60, back finish panel molding (eyebrow), 20 pcs.....	5.95
BHK411	61-63, quarter lock pillar weatherstrip, upper, front (28306/7), 2 sides, 4 pieces.....	1.85
BHK412	64-66, quarter pillar seal at belt, 2 sides, 8 pieces.....	3.00

BHK414	58-60, fuel filler door, 6 pieces.....	1.95
BHK415	58-60, rear bumper, 106 pieces.....	85.85
BHK416	61-63, rear bumper, 30 pieces.....	30.70
BHK417	64-66, rear bumper, 40 pieces.....	19.75
BHK418	58-60, rear bumper to brackets, 36 pieces.....	55.40
BHK419	61-63, rear bumper "Q"s, 2 sides, 18 pieces.....	8.30
BHK420	64-66, rear bumper support, 16 pieces.....	10.65
BHK421	64-66, rear bumper center, 4 pieces.....	4.35
BHK422	64-66, rear bumper brackets to frame, 2 sides, 12 pcs.....	6.55
BHK423	58-60, rear bumper bracket to frame, 38 pieces.....	43.75
BHK424	58-60, rear bumper, upper to lower, 16 pieces.....	10.30
BHK425	64-66, rear license holder, 4 pieces.....	2.40
BHK426	58-60, rear light body, 2 sides, 8 pieces.....	2.90
BHK427	60, rear light bezel, 2 sides, 16 pieces.....	5.50

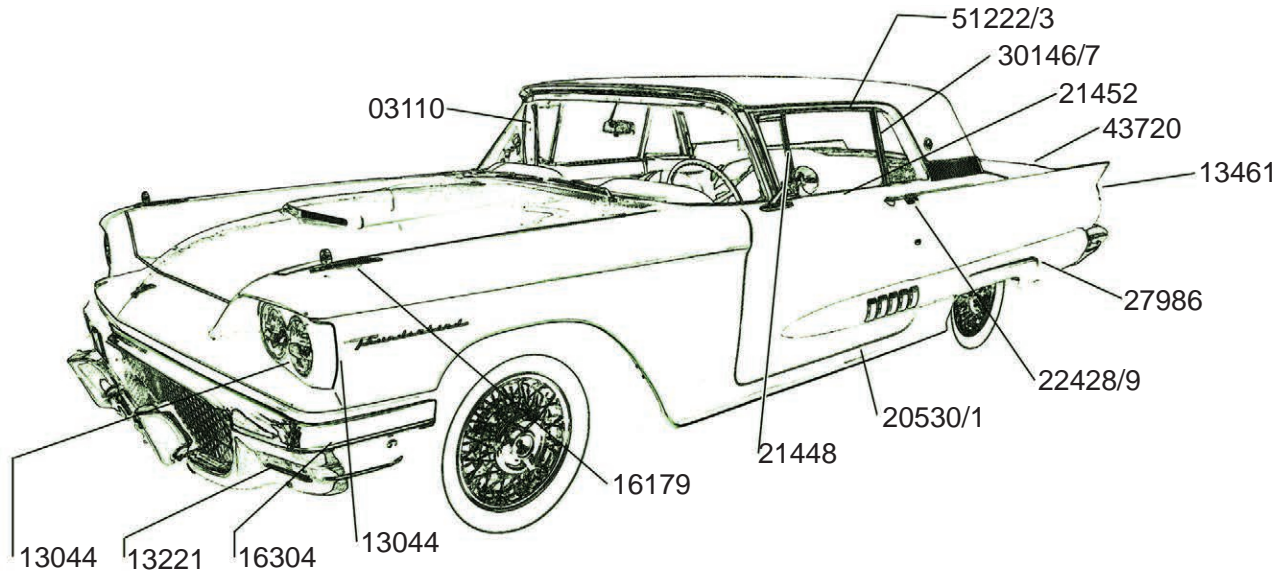
**Trunk Area Hardware Kits**

BHK290	58-60, trunk catch brackets - side, convertible, 24 pcs.....	6.30
BHK294	58-60, convertible trunk lid to body hinge, 16 pieces.....	7.10
BHK430	61-63, trunk hinge to lid, 2 sides, 4 pieces.....	4.85
BHK431	64-66, trunk hinge to lid, 2 sides, 8 pieces.....	5.30
BHK433	61-63, trunk hinge to fender brace, 2 sides, 6 pieces.....	6.70
BHK434	64-66, trunk hinge to body, 2 sides, 12 pieces.....	11.45
BHK437	61-63, latch, 6 pieces.....	2.20
BHK438	64-66, latch, 4 pieces.....	2.40
BHK440	61-63, catch, 4 pieces.....	1.90
BHK441	64-66, catch, 4 pieces.....	3.20
BHK443	61-63, trunk lock retainer, 2 pieces.....	1.90
BHK444	64-66, trunk lock assembly, 4 pieces.....	3.10

**Engine Compartment Hardware Kits**

HWK77	58-60 / 66 battery, bolts, washers, and wing nuts, 6 pcs.....	4.65
BHK77C	61-64, nut & bolt for bottom type battery clamp.....	1.95
BHK366	58-60, radiator side air deflector, 8 pieces.....	3.10
BHK367	58-60, lower radiator core support bracket, 18 pieces.....	5.90
BHK468	58-60, radiator shield, top cover to nose panel, 2 pcs.....	3.20
BHK469	58-60, radiator side rubber shield bracket, 8 pieces.....	2.00
BHK470	58-60, radiator top cover, 3 pieces.....	2.40
BHK471	58-60, radiator side rubber shield to brackets, 8 pieces.....	3.10
BHK472	61-63, radiator cover (8A193), 20 pieces.....	6.10
BHK473	64-66, radiator shield, 16 pieces.....	13.25
BHK474	62-63, support for radiator to hood seal, 4 pieces.....	3.20
BHK477	61-63, export braces, firewall to shock tower, 2 sides, 24 pieces.....	13.05
BHK478	64-66, export brace, 28 pieces.....	13.05
BHK479	58-60, windshield washer nozzle, 2 pieces.....	0.95
BHK480	61-66, washer bag bracket, 2 pieces.....	1.90
BHK483	61-63, vacuum storage tank brackets, 2 pieces.....	1.85
BHK487	61-63, battery tray, 6 pieces.....	3.95
BHK488	64-65, battery tray, 8 pieces.....	6.65
BHK489	66, battery tray, 6 pieces.....	5.45
BHK492	58-60, wiper motor relay, 2 pieces.....	1.40
BHK493	58-60, heater fan relay, 2 pieces.....	1.15
BHK494	58-60, starter cable brackets, 2 pieces.....	1.15
BHK495	55-60, horn relay, 2 pieces.....	1.15
BHK496	58-60, heater blower, 10 pieces.....	3.35
BHK497	58-60, bell crank to engine, 2 pieces.....	1.35
BHK498	58-60, carburetor mounting, 12 pieces.....	3.95
BHK499	58-60, valve cover bolts, 10 pieces.....	6.45
BHK501	58-60, horns to brackets, 8 pieces.....	1.60
BHK502	58-60, horn brackets to fender, 6 pieces.....	4.75
BHK503	58-60, power steering pump to brackets, 2 pieces.....	1.60
BHK504	58-60, power steering pump to brackets to water pump, 4 pieces.....	2.90
BHK505	58-66, water pump, 8 pieces.....	2.90
BHK506	58-60, generator to bracket, 9 pieces.....	5.10
BHK507	58-60, generator bracket to body, 3 pieces.....	2.10
BHK508	58-66, sway bar brackets to frame, 2 sides, 8 pieces.....	1.55
BHK600	58-61, RH 352/390 exhaust pipe to manifold, 6 pcs.....	9.95
BHK602	62-65/66, 428, RH, exhaust pipe to manifold, 6 pieces.....	8.95
BHK604	58-66, LH, 352/390 exhaust pipe to manifold, 6 pcs.....	9.95
BHK605	58-66, 352/390/428 exhaust manifold to head, 8 pieces.....	3.95
BHK606	59-60, 430 exhaust manifold to head, RH or LH, 12 pieces.....	14.95





**1958-1960 Thunderbird Hardtop**

9080	Fuel tank filler neck grommet .....	8.00	B17832A	Rear bumper filler seals, pair .....	24.50
B02626-7A	Windshield post weatherstrip, coupe, pair .....	14.95	18912	Antenna lead in grommet .....	3.25
B03110A	Windshield weatherstrip .....	114.95	B20530-1A	Door weatherstrip, pair .....	99.95
B13044A	Inner headlight bucket gasket .....	3.60	B20580-1A	Rubber seal on door at beltline, pair .....	21.95
B13044B	Outer headlight bucket seal, pair .....	13.50	B21448A	Vent window weatherstrip, pair .....	119.95
13211B	Park light lens gasket .....	1.80	B21450A	Vent window division bar weatherstrip, pair .....	19.95
13217B	Park light body seal .....	2.15	B21452AK	Beltline weatherstrips, set of 8 .....	129.95
B13461A	58-59, Tail light lens gasket .....	3.20	B21538A	Division bars with fuzzy channel, pair .....	53.10
B13461E	60, Tail light lens gasket .....	3.20	B21774A	Vent window tip seals, pair .....	15.50
B16137A	Radiator support to radiator seals, pair .....	9.95	B22428A-KIT	Outside door handle pads, set of 4 .....	8.50
B16170B	Fender Splash Shields, 6 pieces, 2 sides .....	34.95	B23030A	Door bumper, license plate bumper .....	2.60
B16179	60, Fender top ornament gasket .....	5.95	B27986A	Skirt seals, pair .....	13.50
B16304-5A	Front bumper to fender V seals, pair .....	15.00	B28306-7A	1/4 post seals (ears), pair .....	22.95
B16738A	Hood insulation .....	53.95	B29500	1/4 window frame, pair .....	9.95
B16740A	Hood to cowl seal .....	9.95	B30146-7D	1/4 glass to door glass seal, pair .....	34.95
B16758A	Hood bumpers, 4 pieces .....	9.95	B42084A	Rear window weatherstrip, hardtop .....	159.95
B17724A	58-59, Mirror gasket, original mirror .....	5.95	43720	Trunk weatherstrip, hardtop .....	23.95
B17788-9A	Rear bumper guard rubber filler, pair .....	29.95	B51222-3A	Roof rail weatherstrip, hardtop, pair .....	210.95

**1958-1960 Thunderbird Convertible**

9080	Fuel tank filler neck grommet .....	8.00	18912	Antenna lead in grommet .....	3.25
B02626-7B	Windshield post weatherstrip, convertible, pair .....	47.95	B20530-1A	Door weatherstrip, pair .....	99.95
B03110A	Windshield weatherstrip .....	114.95	B20580-1A	Rubber seal on door at beltline, pair .....	21.95
B13044A	Inner headlight bucket gasket .....	3.60	B21448A	Vent window weatherstrip, pair .....	119.95
B13044B	Outer headlight bucket seal, pair .....	13.50	B21450A	Vent window division bar weatherstrip, pair .....	19.95
13211B	Park light lens gasket .....	1.80	B21452BK	Beltline weatherstrips, set of 8, convertible .....	132.75
13217B	Park light body seal .....	2.15	B21538A	Division bars with fuzzy channel, pair .....	53.10
B13461A	58-59, Tail light lens gasket .....	3.20	B21774A	Vent window tip seals, pair .....	15.50
B13461E	60, Tail light lens gasket .....	3.20	B22428A-KIT	Outside door handle pads, set of 4 .....	8.50
B16137A	Radiator support to radiator seals, pair .....	9.95	B23030A	Door bumper, license plate bumper .....	2.60
B16170B	Fender splash shields, 6 pieces, 2 sides .....	34.95	B27986A	Skirt seals, pair .....	13.50
B16179	60, Fender top ornament gasket .....	5.95	B28306-7A	1/4 post seals (ears), pair .....	22.95
B16304-5A	Front bumper to fender V seals, pair .....	15.00	B29500	1/4 window frame, pair .....	9.95
B16738A	Hood insulation .....	53.95	B30146-7D	1/4 glass to door glass seal, pair .....	34.95
B16740A	Hood to cowl seal .....	9.95	B41868A	Rubber stop, rear counterbalance, convertible, pair .....	6.95
B16758A	Hood bumpers, 4 pieces .....	9.95	B43720D	Trunk weatherstrip set, convertible .....	84.95
B17724A	58-59, Mirror gasket, original mirror .....	5.95	B43720D-E	Seal, package tray link, convertible 63" long .....	15.95
B17788-9A	Rear bumper guard rubber filler, pair .....	29.95	B51338A	Weatherstrip, #1 bow, convertible top .....	30.95
B17832A	Rear bumper filler seals, pair .....	24.50	B51563ARK	Roof weatherstrip set, 6 pieces, convertible .....	325.50
			B53986A	Convertible top header trim seal .....	54.95
			B54000-1A	Convertible top arm pads, pair .....	82.95

## 1961-1963 Thunderbird Hardtop

B8B093R	62-63, Radiator support to hood, seal .....	7.75	B20530-1C	63, Door weatherstrip, pair .....	109.95
B03110B	Windshield weatherstrip, hardtop .....	99.95	B21448B	Vent window weatherstrip, pair .....	99.95
B13211B	Park light lens gasket .....	3.20	B21450B	Vent window division bar weatherstrip, pair .....	19.95
B13420A	62-63, Tail light body seal, white .....	7.50	B21452CK	Beltline weatherstrip, set of 8, hardtop .....	119.95
B13420B	61, Tail light body seal, gray .....	7.50	B21774B	Seal, vent window tip at door window post, pair .....	20.95
B13461B	61, Tail light lens gasket .....	3.20	B27987ES	Skirt seals, pair, die cut .....	24.95
B13461C	62-63, Tail light lens gasket .....	4.00	B28306-7C	¼ post seals (ears), pair .....	18.00
B15510A	Back-up light lens gasket .....	3.20	B30146-7C	¼ window to door glass seals, pair .....	34.95
B16170C	Fender splash shields, 14 pieces, 2 sides .....	55.95	B403B34A	Rubber seals, lower rear panel, pair .....	12.74
B16304KIT	Fender to bumper seals, front & rear, 4 pieces .....	210.95	B42084B	Rear window weatherstrip, hardtop .....	99.95
B16738B	Hood insulation .....	53.95	43720	Trunk lid weatherstrip, hardtop .....	23.95
B16740B	Hood to cowl seal .....	10.95	B51222-3B	Roof rail weatherstrip, hardtop, pair .....	210.95
B16763A	61-63, Wedge shape hood bumper, 4 required .....	3.40	353483S	61-63, license plate bumper .....	1.75
B17A970	Rear bumper seal .....	0.00	354860S	61-62, Door bumper at latch .....	2.35
B20530-1B	61-62, Door weatherstrip, pair .....	109.95	372617S	Lower door bumper .....	5.00

## 1961-1963 Thunderbird Convertible

B8B093R	62-63, Radiator support to hood, seal .....	7.75	B21450B	Vent window division bar weatherstrip, pair .....	19.95
B02626-7D	Windshield pillar weatherstrip, pair .....	51.95	B21452DK	Beltline weatherstrip, set of 8, convertible .....	119.95
B03110D	Windshield weatherstrip, convertible .....	139.95	B21774B	Seal, vent window tip at door window post, pair .....	20.95
B13211B	Park light lens gasket .....	3.20	B27987ES	Skirt seals, pair, die cut .....	24.95
B13420A	62-63, Tail light body seal, white .....	7.50	B28306-7C	¼ post seal (ears), pair .....	18.00
B13420B	61, Tail light body seal, gray .....	7.50	B30146-7C	¼ window to door glass seals, pair .....	34.95
B13461B	61, Tail light lens gasket .....	3.20	B43720E	Trunk lid weatherstrip set, convertible .....	89.95
B13461C	62-63 Tail light lens gasket .....	4.00	B43720D-E	Seal, package tray link, convertible, 63" long .....	15.95
B15510A	Backup light lens gasket .....	3.20	B51338BR	Seal, above windshield, black, convertible .....	50.95
B16170C	Fender splash shields, 14 pieces, 2 sides .....	55.95	B51338CR	Seal, above windshield, white, convertible .....	50.95
B16304KIT	Fender to bumper seals, 4 pieces, front & rear .....	210.95	B51338DR	Seal, above windshield, beige, convertible .....	42.95
B16738B	Hood insulation .....	53.95	B51563BRK	Roof rail weatherstrip, 7 pieces, convertible .....	235.00
B16740B	Hood to cowl seal .....	10.95	B53986B	Top front weatherstrip .....	42.95
B16763A	61-63, Wedge shape hood bumper, 4 required .....	3.40	B54000-1B	Convertible top arm pads, pair .....	82.95
B17A970	Rear bumper seal .....	0.00	353483S	61/63, license plate bumper .....	1.75
B20530-1B	61-62, Door weatherstrip, pair .....	109.95	354860S	61/62, Door bumper at latch .....	2.35
B20530-1C	63, Door weatherstrip, pair .....	109.95	372617S	Lower door bumper .....	5.00
B21448B	Vent window weatherstrip, pair .....	99.95			

## 1964-1966 Thunderbird Hardtop

B8348-9	Radiator side seals, pair .....	9.95	B20530-1D	64-66, Door weatherstrip, pair .....	129.95
B03110C	Windshield weatherstrip .....	99.95	B21448C	Vent window weatherstrip, pair .....	99.95
B13211C	64-65, park light lens gasket .....	3.20	B21450C	Vent window division bar weatherstrip, pair .....	19.95
B13211D	66, Park light lens gasket .....	3.20	B21452EK	Beltline weatherstrip set, 8 pieces .....	133.95
B13461D	64-65, Tail light lens gasket .....	4.40	B21452GK	Beltline weatherstrip, doors only, 4 pieces .....	125.25
B13461F	66, Tail light lens gasket, RH or LH .....	4.75	B21538C	Division bar with fuzzy channel, pair .....	53.10
B13461G	66, Tail light lens gasket, center .....	4.75	B21774C	Seal, vent window tip at door window post, pair .....	20.95
B13568A	License light lens gasket .....	1.15	B22428B-KIT	Outside door handle pads, 4 pieces .....	9.95
B15510B	64-65 Backup light lens gasket .....	3.20	B23030C	Door bumper at beltline .....	2.00
B15533B	64-65 Backup light body seal .....	2.20	B27987FS	Skirt seals, pair, die cut .....	24.95
B16170D	Fender splash shields, 10 pieces, 2 sides .....	60.95	B28306-7B	¼ post seals, pair .....	18.00
B16A238	Hood to radiator support seal .....	7.75	B30146-7E	¼ window to door glass seal, pair .....	29.95
B16738C/D/E	Hood insulation, specify year .....	53.95	B403C50	Seal, body to trunk lid, hardtop, black .....	26.95
B16740B	Hood to cowl seal .....	10.95	B403C50B	Seal, body to trunk lid hardtop, with clips .....	34.95
B16758B	64, Hood bumper push in, 4 required .....	1.50	B403C50G	64-66, hardtop, gray .....	26.95
B16763A	65-66, Wedge head hood bumper, 4 required .....	3.40	B403C50GB	64-66, hardtop, gray with clips .....	32.95
B16763B	66, Round head, 2 required, 5/16" x 18" stud .....	4.95	B42084C	Rear window weatherstrip, hardtop .....	114.95
B16763C	64, Round head with shaft, 2 required, 3/8"-24 stud .....	4.95	B43720A	Trunk weatherstrip, hardtop .....	29.95
B16763D	65, Round head with shaft, 2 required, 3/8"-16 stud .....	4.95	B51222-3C	66, Roof rail weatherstrip, Landau, pair .....	119.95
B17724	Mirror gasket, for original mirror .....	5.95	B51222-3D	64-66, Roof rail weatherstrip, with ¼ windows, pair .....	99.95
			372617S	64, Lower door bumper / 64-66 gas door .....	5.00

**1964-1966 Thunderbird Convertible**

B8348-9	Radiator side seals, pair.....	9.95
B02626-7C	Windshield pillar weatherstrip, convertible, pair.....	44.95
B03110C	Windshield weatherstrip.....	99.95
B13211C	64-65, Park light lens gasket.....	3.20
B13211D	66, Park light lens gasket.....	3.20
B13461D	64-65, Tail light lens gasket.....	4.40
B13461F	66, Tail light lens gasket, RH or LH.....	4.75
B13461G	66, Tail light lens gasket, center.....	4.75
B13568A	License light lens gasket.....	1.15
B15510B	64-65, Backup light lens gasket.....	3.20
B15533B	64-65, Backup light body seal.....	2.20
B16170D	Fender splash shields, 10 pieces, 2 sides.....	60.95
B16A238	Hood to radiator support seal.....	7.75
B16738C/D/E	Hood insulation, specify year.....	53.95
B16740B	Hood to cowl seal.....	10.95
B16758B	64, Hood bumper push in, 4 required.....	1.50
B16763A	65-66, Wedge head hood bumper, 4 required.....	3.40
B16763B	66, Round head hood bumper with shaft.....	4.95
B16763C	64, Round head with shaft, 2 required, 3/8"-24 stud.....	4.95
B16763D	65, Round head with shaft, 2 required, 3/8"-16 stud.....	4.95
B17724	Mirror gasket, for original mirror.....	5.95
B20530-1D	64-66, Door weatherstrip, pair.....	129.95
B21448C	Vent window weatherstrip, pair.....	99.95

B21450C	Vent window division bar weatherstrip, pair.....	19.95
B21452FK	Beltline weatherstrip set, convertible, 8 pieces.....	169.95
B21538C	Division bar with fuzzy channel, pair.....	53.10
B21774C	Seal, vent window tip at door window post, pair.....	20.95
B22428B-KIT	Outside door handle pads, 4 pieces.....	9.95
B23030C	Door bumper at beltline.....	2.00
B27987FS	Skirt seals, pair, die cut.....	24.95
B28306-7B	1/4 post seals, pair.....	18.00
B30146-7E	1/4 window to door glass seal, pair.....	29.95
B403B34C	Seal, body to bumper, convertible.....	134.95
B43720B	64-early 65, Trunk weatherstrip, convertible.....	285.95
B43720F	late 65-66, Trunk weatherstrip, convertible.....	285.95
B465A10C	Seal, package tray link, convertible, pair.....	11.50
B51338BR	Seal, above windshield, black, convertible.....	50.95
B51338CR	Seal, above windshield, white, convertible.....	50.95
B51338DR	Seal, above windshield, beige, convertible.....	42.95
B51563CRK	Roof rail weatherstrip, convertible.....	245.00
B54000-1C	Convertible top arm pads, pair.....	75.00
372617S	64, Lower door bumper / 64-66 gas door.....	5.00
375838S	Rubber bumper, many uses	
	64-66, ash tray	
	64-66, door hinge cover	
	64-66, upper window stop	
	64-66, gas door.....	1.50

**1967-1972 Thunderbird**

B9008A	67-71, gas tank to filler neck seal.....	18.95
B9076B	67-71, fuel tank neck seal to body.....	5.95
B13211E	67, parking light lens gasket.....	3.70
B13211F	68, parking light lens gasket.....	3.70
B13211G	69, parking light lens gasket.....	3.70
B13461H	67-68, tail light lens gasket.....	9.00
B13461I	69, tail light lens gasket.....	5.95
B13564A	64-72, license plate light lens.....	8.95
B15A209A	68-69, front fender marking light lens gasket.....	3.85
B15A209C	69, quarter panel marker light lens gasket.....	3.35
B15A209E	69-71, quarter panel marker light lens gasket.....	2.25
B15510C	69, back up light lens gasket, outer.....	3.75
B16240D	67-71, fender apron to a arm seals, pair.....	49.95
B16738F	67-69, hood insulation, 4 piece set.....	53.95
B16738G	70-71, hood insulation, 4 piece set.....	53.95
B16758D	69, hood bumper.....	1.95

B17B771	67-69, lower radiator support seal.....	24.15
B20530-1E	67-71, 4-door, front door weatherstrip, pair.....	349.95
B214A14	67-71, 2 door rear of door window weatherstrip.....	49.95
B21452HK	67-71, 2 door beltline weatherstrip kit.....	118.75
B21452IK	70-71, 2 door Landau, belt line weatherstrip, 4 piece set.....	143.50
B21452JK	67-69, 4 door non landau beltline weatherstrip kit, 12 pieces.....	169.95



**B22428C-KIT**

B22428C-KIT	67-71, outside door handle pads, 4 pieces.....	9.95
-------------	--	------



**B424A62B**

B424A62B	67-71, trunk drain tubes.....	55.00
B43720A	64-69, coupe trunk lid weatherstrip.....	29.95

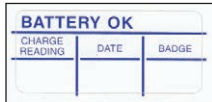


**B16763A**



**B16763B**

B16763A	61-63 / 65-67, hood bumper, wedge shape, 4 required.....	3.40
B16763B	66-71, hood bumper.....	4.95



DC194



DC405



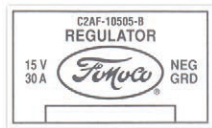
DC412



DC447



DC3



DC337



DC519



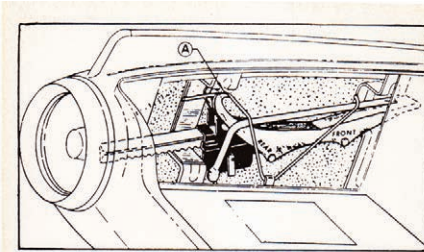
DC107



DC518

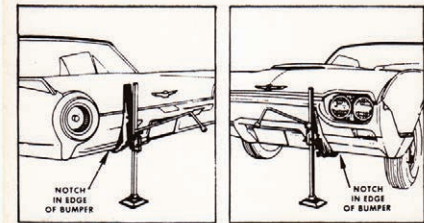


DC224



JACK STOWAGE

1. BASE OF JACK IS INVERTED IN SPARE WHEEL HUB AND RETAINED WITH SPARE TIRE HOLD DOWN BOLT.
2. POSITION JACK MECHANISM ABOUT 3" FROM TOP OF COLUMN - PLACE BUMPER HOOK OVER LOWER END OF COLUMN AND POSITION JACK ON SUPPORT BRACKETS, AS SHOWN. JACK MECHANISM MUST BE TO REAR OF CAR WITH HANDLE LEVER DOWN.
3. PLACE LUG WRENCH ON METAL TAB AND OVER BUMPER HOOK, AS SHOWN.
4. PULL CENTER OF HOLD DOWN SPRING OVER ASSEMBLY AND ENGAGE CLIP AT EDGE OF FLOOR. IN ORDER TO AVOID RATTLES SPRING MUST PASS OVER LIP OF HOOK AS SHOWN AT "A".



JACKING INSTRUCTIONS

1. SET PARKING BRAKE AND SHIFT TRANSMISSION TO "PARK" - BLOCK FRONT WHEELS WHEN JACKING REAR.
2. ASSEMBLE JACK COLUMN TO BASE AND SET LEVER ON JACK MECHANISM TO "UP" POSITION.
3. ATTACH BUMPER HOOK TO JACK MECHANISM USING PIN MARKED "FRONT" OR "REAR", WHICHEVER APPLIES.
4. POSITION HOOK ON BUMPER SO LIP OF HOOK ENGAGES NOTCH IN LOWER EDGE OF BUMPER, AS SHOWN ABOVE.

NOTE: Trunk lid must be closed when jacking rear - convertible only.

DC132



DC352



DC160



DC280



DC370



DC331



DC214



DC120



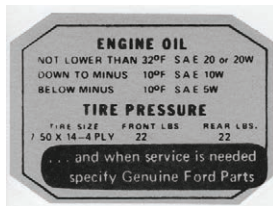
DC198



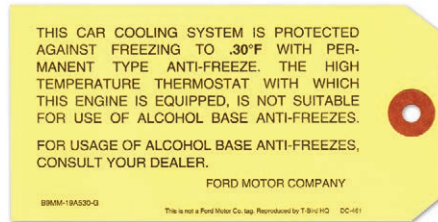
DC572



DC164



DC5B



DC461



FORD PRESENTS THE NEW  
4-PASSENGER THUNDERBIRD  
AMERICA'S MOST INDIVIDUAL CAR

HERE'S HOW THE '61 FORD TAKES CARE OF ITSELF

LUBRICATES ITSELF. You'll normally go 30,000 miles between chassis lubrications.

CLEANS ITS OWN OIL. You'll go 4,000 miles between oil changes with Ford's Full-Flow oil filter.

ADJUSTS ITS OWN BRAKES. New Truck-Stop brakes adjust themselves automatically.

GUARDS ITS OWN MUFFLER. Ford mufflers are double-wrapped and aluminumized for twice the normal life.

PROTECTS ITS OWN BODY. All vital underbody parts are specially processed to resist rust and corrosion. Even the body panels below the doors are galvanized.

TAKES CARE OF ITS OWN FINISH. New Diamond Lustre Finish never needs wax.

While you're here, why not take a test drive?

FORD DIVISION

THIS IS NOT A FORD MOTOR CO. WINDOW STICKER  
DC-188 REPRODUCED BY THUNDERBIRD AND MUSTANG HEADQUARTERS, INC.

DC188

**STARTING INSTRUCTIONS**

ENGINE CHANGES FOR CLEAN AIR MAKE IT IMPORTANT TO USE THE FOLLOWING STARTING PROCEDURES

**COLD ENGINE**

- TURN KEY TO "ON" POSITION.
- PRESS ACCELERATOR PEDAL SLOWLY TO THE FLOOR.
- RELEASE PEDAL COMPLETELY.
- TURN KEY TO "START" UNTIL ENGINE IS STARTED. THEN RELEASE KEY.
- IF ENGINE FAILS TO START—REPEAT PROCEDURES AFTER STARTING ENGINE. ALLOW IT TO RUN FOR A FEW SECONDS, THEN DEPRESS THE PEDAL SLIGHTLY AND RELEASE IT TO REDUCE ENGINE SPEED.

**WARM ENGINE**

- TURN KEY TO "ON" POSITION.
- PRESS ACCELERATOR PEDAL 1/2 TO 3/4 WAY DOWN AND HOLD. (CAUTION: DO NOT PUMP THE PEDAL)
- TURN KEY TO "START" UNTIL ENGINE IS STARTED. THEN RELEASE KEY.

**NOTE:**

IF ENGINE FAILS TO START USING PRECEDING INSTRUCTIONS

- PRESS THE PEDAL ALL THE WAY TO THE FLOOR AND HOLD.
- TURN KEY TO "START".
- WHEN ENGINE STARTS, RELEASE PEDAL GRADUALLY AS ENGINE SPEEDS UP.

DC170

Here is your owner's manual and NEW CAR WARRANTY. For your protection, keep it with your NEW CAR at all times. No warranty service without this book.

This is your guarantee of future driving enjoyment for the next 24 months or 24,000 miles. Your new car is fully guaranteed as stated in this booklet. Certain maintenance items as explained also in the booklet and listed hereunder will be at your expense when and if needed.

**ITEMS NOT COVERED BY WARRANTY**

- Engine tune up, and/or engine missing due to cleaning or replacement of spark plugs. Adjusting or replacement of distributor points. Adjusting or cleaning of carburetor. Adjusting valves and/or engine timing.
- Front end alignment and wheel balance.
- Lubrication and oil and filter changes.
- Tires (warranted by manufacturer, as stated in manual).
- Brake cleaning, bleeding system, or shoe adjustment.
- Adjustments for body rattles and squeaks due to normal road hazards.
- Engine or chassis damage, due to weather and/or normal road hazards.
- Paint, chrome and trim damage due to other than normal use.
- Any modification other than factory recommendations to any unit so as to use for competition racing will void warranty.
- Cooling system cleaning or replacing of coolant.

DC335

INSTRUCTIONS TO OPERATE FOLDING TOP

**TO LOWER TOP**

- Open deck lid by turning key and pushing button located below ignition switch.
- Release top clamp on windshield header.
- Release 4 snap fasteners each side of fabric top side flap.
- Un-zip rear window to open position.
- While standing beside left rear of car, release deck lid safety catch and hold lid back in full open position.
- With lid in full open position, hold top lift control switch downward until top is in full down position. (This switch is located on the left side wall of luggage compartment.)
- Do not close lid until you pull out locking knob and rotate hinged panel on forward edge of lid to a flush condition with lid surface. Be sure locking knob is engaged. Close lid.

**TO RAISE TOP**

- Open deck lid by turning key and pushing button located below ignition switch.
- While standing beside left rear of car, release deck lid safety catch and lift lid to full open position.
- With lid held in full open position, hold top lift control switch upward until top is in full up position. (This switch is located on the left side wall of luggage compartment.)
- Do not close lid until you pull out locking knob and rotate hinged panel on forward edge of lid to underside of lid. Be sure locking knob is engaged. Close lid.
- Zip rear window to closed position.
- Engage top clamps to windshield header.
- Engage 4 snap fasteners each side of fabric top side flap.

DC547

THE VERTICAL MOVEMENT OF YOUR 4-WAY POWER SEAT HAS BEEN ELIMINATED TO PREVENT INTERFERENCE WITH THE HEADREST. IF YOU WISH THE VERTICAL MOVEMENT RESTORED, YOUR DEALER WILL MAKE THE NECESSARY WIRING CONNECTIONS. HOWEVER, THE SEAT MUST NOT BE RAISED WHEN IN THE REARWARD POSITION TO PREVENT DAMAGE TO HEADREST WITH THE TONNEAU COVER IN PLACE.

DC269

USE GENUINE  
Ford  
REPLACEMENT PARTS  
FOR SERVICE INSTRUCTIONS  
SEE OWNER'S MANUAL

DC83

AIR CONDITIONED BY  
Thunderbird  
FORD MOTOR CO., DEARBORN MICH.  
SAE J-639  
VCL ONLY REFRIGERANT: 12 IN. HIGHER SYSTEM  
MAXIMUM OPERATING CHARGE 2 LBS. 2 OZ.

DC706

Thunderbird  
RECOMMENDED  
TIRE PRESSURES (COLD)

MODERATE LOAD 4-Passenger Car	CONVERTIBLE	FRONT	24	REAR	25
UP TO 14 FULL RATED LOAD	CONVERTIBLE	FRONT	24	REAR	27

FULL RATED LOAD — 750 pounds MAXIMUM OR driver plus three passengers and 150 pounds of luggage.

For sustained legal speeds over 60 MPH, one hour or more, add 4 pounds to the recommended inflation pressures. Any driving over 90 MPH, see Owner's Manual.

Trailer Towing — See Owner's Manual.

DC293

Thunderbird  
MAINTENANCE RECOMMENDATIONS

TIRE PRESSURE: 24 PSI (COLD)

EVERY 6,000 MILES

- CHANGE ENGINE OIL and FILTER AND CONSIDER "TUNE-UP" — See Owner's Manual for approved types.
- ROTATE TIRES and RIVETS
- CHECK FLUID LEVELS: Transmission, Rear Axle, Power Brake, Power Steering

EVERY 18,000 MILES

- ENGINE TUNE-UP
- ADJUST TRANSMISSION BANDS

DC369

Thunderbird  
RECOMMENDED  
TIRE PRESSURES (COLD)

HARDTOP	FRONT	24	REAR	25
---------	-------	----	------	----

FULL RATED LOAD — 750 pounds MAXIMUM OR driver plus three passengers and 150 pounds of luggage.

For sustained legal speeds over 60 MPH, one hour or more, add 4 pounds to the recommended inflation pressures. Any driving over 90 MPH, see Owner's Manual.

Trailer Towing — See Owner's Manual.

DC294

WHEN REFUELING

- Always engine off
- Use only correct type oil as recommended
- Check battery and water
- Check battery and water
- Check battery and water
- Check battery and water

EVERY 6,000 MILES OR 6 MONTHS

- Change oil and oil filter
- Check water level and top up
- Check battery and water
- Check battery and water
- Check battery and water

ANTI-FREEZE-COOLANT

- Change every 2 years
- Check water level and top up
- Check battery and water
- Check battery and water

CRANKCASE VENTILATION SYSTEM

- Check periodically in accordance with instructions in the Owner's Manual.

ALWAYS USE GENUINE FORD MOTOR COMPANY REPLACEMENT PARTS THAT BEAR THESE LOGOS

Ford, Autolite

DC20

WARNING

This is a transistor powered radio. Do not attempt to service without reference to Motorola service manual for this model. Operate only with (+) voltage to 'A' lead and (-) to chassis. When soldering disconnect radio from supply voltage. When checking for noise do not tap tubes, rather tap housing with rubber mallet.

LABEL 54P539787.O.C.L. Printed in U.S.A.

DC275

USE ONLY AUTOMATIC TRANSMISSION FLUID TYPE "A"

CHECK TRANSMISSION FLUID LEVEL TO FULL MARK ON INDICATOR WITH TRANSMISSION AT NORMAL OPERATING TEMPERATURE AND ENGINE ON SLOW IDLE WITH SELECTOR LEVER IN P<sub>1</sub> POSITION

DC369

DO NOT OVERFILL COOLING SYSTEM

- COOLANT ANTIFREEZE
- COOLANT AT OPERATING TEMP SHOULD BE APPROX. 1 BELOW SEALING SURFACE
- IMPORTANT: FORD EMISSION SYSTEM INSTRUCTIONS SEE OWNER'S MANUAL
- 6000 MILES OR 6 MONTHS CHANGE OIL & FILTER
- USE OIL LABELED — MEETS CAR MAKERS REQUIREMENTS — SEQUENCE TESTED
- CHECK OIL WHEN FUELING
- CHECK BATTERY FLUID LEVEL FREQUENTLY
- ADD WATER TO KEEP LEVEL AT BOTTOM OF VENT WELL.

Ford, Autolite

DC345



DC140



DC54



DC221



DC141



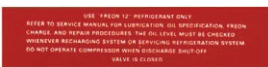
DC142



DC149



DC353



DC536



DC118



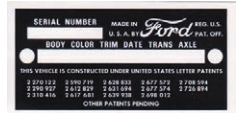
DC430



DC10B



DC4A



DC4B

AIR CLEANER DECALS

DC53	62-66 390.....	4.00
DC54	62-66 390 4V Premium Fuel .....	5.00
DC83	58-64 Air Cleaner Service Instructions .....	4.00
DC115	66 428 4V Premium Fuel, black and orange.....	4.00
DC140	59-60 Interceptor Air Cleaner .....	6.00
DC141	59-60 Thunderbird Special use with DC140 .....	6.00
DC142	59-60 "Special", use with DC140 .....	6.00
DC149	64-67 Air Cleaner Service Instructions .....	4.00
DC150	65-68 Air Cleaner "FRONT" Decal .....	4.00
DC160	62-68 Autolite Spark Plug Decal .....	4.00
DC221	66-67 428 4V Premium Fuel, yellow with black & white checkers .....	4.00
DC350	62-65 Crankcase Vent .....	4.00
DC352	64-66 Autolite Spark Plug Decal .....	4.00
DC430	58-60 Interceptor Special Air Cleaner.....	5.00

ENGINE COMPARTMENT DECALS

DC20	65-66 Service Specification .....	4.00
DC3	58-64 Coil.....	4.00
DC107	58-61 Voltage Regulator Decal.....	4.00
DC118	61-66 Caution Fan .....	4.50
DC120	58-68 FoMoCo Antifreeze Tag, with installed wire .....	4.00
DC164	60-65 Oil Cap Decal.....	4.00
DC194	64-85 Battery Test Decal .....	3.00
DC198	63-64 Battery Caution Decal .....	4.00
DC224	65-72 Coil.....	4.50
DC280	62-66 Fuel Filter Decal.....	4.00
DC320	62-69 Voltage Regulator Warning Tag.....	4.00
DC331	66 Disc Brake Master Cylinder Cap Decal .....	4.00
DC337	62 Voltage Regulator Decal.....	4.00
DC345	64 Service Specification .....	4.00
DC347	62-69 Voltage Regulator Warning Decals, pair.....	4.00
DC353	64-67 Transistorized Ignition Shield Decal.....	4.00
DC405	60-63 Battery Test Decal .....	4.00
DC412	65-66 Voltage Regulator Decal.....	4.00
DC447	62-64 Starter Decal .....	4.00
DC461	59-64 Ford Antifreeze Tag, with installed wire.....	4.00
DC518	63-65 Coil.....	4.00
DC519	63-64 Voltage Regulator Decal.....	4.00
DC536	58-60 Air Conditioning Charge Decal.....	4.00
DC574	60-61 Air Conditioning Compressor Decal.....	5.00
DC699	64-68 Rotunda Antifreeze Tag, with installed wire .....	4.00
DC702	61 Air Conditioning Hose Tag.....	14.95
DC703	62 Air Conditioning Hose Tag.....	14.95
DC704	63 Air Conditioning Hose Tag.....	14.95
DC705	64 Air Conditioning Hose Tag.....	14.95
DC706	65-66 Air Conditioning Hose Tag.....	14.95
DC707	61-66 Air Conditioning Hose Tag Strap .....	2.25

## TRUNK DECALS

DC132	62-63 Jack Instructions, except roadster .....	5.50
DC219	63 Jack Instructions .....	5.00
DC238	66 Jack Instructions .....	5.00
DC249	64 Jack Instructions .....	5.00
DC290	65 Jack Instructions .....	5.00
DC330	63-64 Jack Hook Decal .....	3.00
DC434	62-63 Sport Roadster Jack Instructions.....	5.00
DC513	61 Jack Instructions .....	5.00
DC547	58-60 Convertible Top Operating Instructions .....	5.00

## INTERIOR DECALS

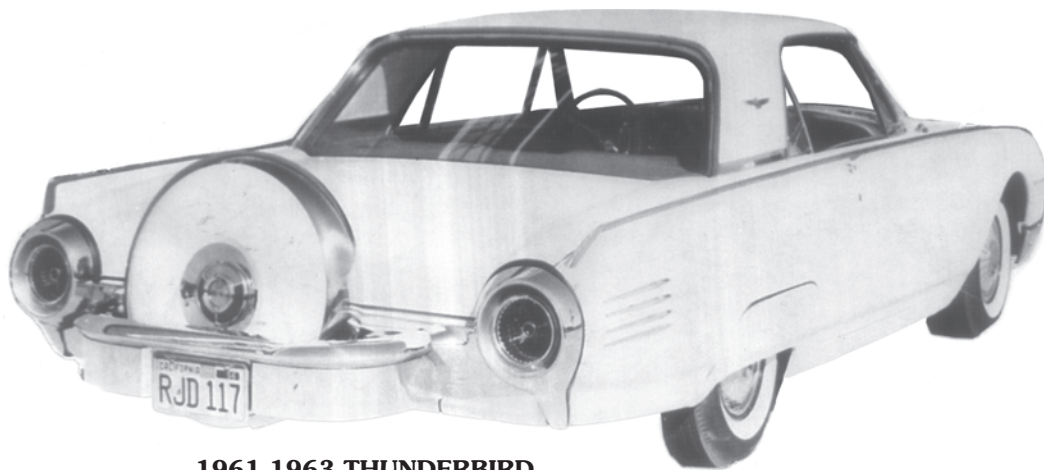
DC4C	58-72 Data Plate Rivets, pair .....	4.50
DC4B	58-59 Data Plate Decal .....	1.60
DC170	63-69 Sun Visor Starting Instructions.....	4.50
DC186	59 New Car Window Price Sticker.....	5.00
DC187	60 New Car Window Price Sticker.....	5.00
DC188	61 New Car Window Price Sticker.....	5.00
DC189	62 New Car Window Price Sticker.....	5.00
DC190	63 New Car Window Price Sticker.....	5.00
DC191	64 New Car Window Price Sticker.....	5.00
DC192	65 New Car Window Price Sticker.....	5.00
DC193	66 New Car Window Price Sticker.....	5.00
DC209	59 Accessory Price List .....	3.00
DC210	60 Accessory Price List .....	3.00
DC211	61 Accessory Price List .....	3.00
DC212	62 Accessory Price List .....	3.00
DC213	63 Accessory Price List .....	3.00
DC214	64 Accessory Price List .....	3.00

DC215	65 Accessory Price List.....	3.00
DC216	66 Accessory Price List.....	3.00
DC269	62-63 Roadster Glove Box Decal .....	5.00
DC275	58-59 Transistor Radio Decal.....	4.00
DC293	66 Convertible Tire Pressure Decal.....	5.00
DC294	66 Coupe Tire Pressure Decal.....	5.00
DC335	63-70 Owner's Manual Envelope.....	4.00
DC369	62-63 Tire Pressure Decal.....	5.00
DC370	63-67 Scuff Plate Decal .....	4.50
DC512	66 Fuse panel.....	5.00
DC572	58-59 Air Conditioning Glove Box Decal .....	4.00
DC648	60-62 Owner's Manual Envelope.....	4.00
DC1105	65 Fuse panel.....	7.50
DC1108	64 Fuse panel.....	5.00

## DECAL KITS

DC41	1961, set of 12 (3, 54, 83, 107, 118, 164, 320, 350, 352, 405, 461, 513) .....	25.00
DC42	1962, set of 12 (3, 54, 83, 118, 132, 164, 280, 337, 350, 352, 405, 447) .....	25.00
DC43	1963, set of 13 (54, 83, 118, 164, 198, 219, 280, 330, 352, 369, 405, 518, 519) .....	25.00
DC44	1964, set of 14 (54, 83, 118, 160, 164, 194, 198, 249, 280, 330, 345, 369, 518, 519).....	25.00
DC45	1965, set of 13 (20, 54, 118, 149, 150, 164, 194, 224, 280, 290, 352, 412, 447).....	25.00
DC46	1966, set of 15 (20, 54, 115, 118, 149, 150, 164, 194, 224, 238, 280, 331, 352, 412, 447).....	25.00

## CONTINENTAL KITS



1961-1963 THUNDERBIRD

## CONTINENTAL KITS

These Continental Kits are heavy steel duplicates of the originals. The bumper assemblies are die stamped from heavy 12 gauge rolled steel and are triple chrome plated. The tire carrier mechanisms are made to support a full size spare tire. These kits will mount on both the convertible and hardtop body styles. Included with the kits are: a chrome tire ring, a 14" solid steel face plate, a 14" steel 1/2" back plate, all necessary attaching hardware (including chrome bumper bolts), and installation instructions.

B17906AK	58-60 .....	1895.00
B17906BK	61-63 Hard Top.....	1795.00
B17906CK	61-63 Convertible.....	2695.00
B17906DK	64-66 .....	1795.00

•• **NOTE**•• Kits must be **prepaid** and will be shipped direct from the factory. Please allow 6 to 8 weeks for delivery.

•• **NOTE**•• For emblems see part numbers 8259 and 16098.

•• **NOTE**•• Can **not** use radial tire for spare.

# Index

**A**

Accelerator Linkage ..... 156, 157  
 Accelerator Pedal ..... 157  
 Accessories ..... 115, 116, 117  
 Air Cleaner ..... 156  
 Air Conditioning ..... 188, 189  
 Alternator ..... 159  
 Antenna ..... 119, 188  
 Arm Rest Covers ..... 100, 101

**B**

Back Up Light ..... 173  
 Ball Joint ..... 130  
 Battery  
   Cable ..... 169  
   Hold Down Clamps ..... 161  
   Shield ..... 161  
   Tray ..... 161

**Bearing**

Clutch ..... 149  
 Front Wheel ..... 124  
 Generator ..... 159  
 Pilot ..... 149  
 Rear Axle ..... 124  
 Steering Shaft ..... 132

**Belts**

Bezel  
   Dash Knobs ..... 161, 162  
   Radio Knob ..... 188  
   Tail Lights ..... 168

**Brake**

Booster ..... 125-126  
 Cable ..... 129  
 Calipers ..... 127  
 Drums ..... 124  
 Hose ..... 126, 128  
 Lines ..... 128  
 Master Cylinder ..... 127  
 Pedal Pads ..... 129  
 Proportioning Valve ..... 126  
 Rotors ..... 124  
 Shoes, Front ..... 125  
 Shoes, Rear ..... 128  
 Wheel Cylinder ..... 126

**Bulb**

Headlight ..... 163  
 Miniature ..... 167

**Bumpers**

Front Suspension ..... 130  
 Hood ..... 176  
 Lower Door ..... 194

**Bushing**

Brake Pedal ..... 129  
 Front Suspension ..... 130  
 Idler Arm ..... 131  
 Power Steering Ram Cylinder ..... 133  
 Rear Spring ..... 143  
 Shock Mounting ..... 185  
 Strut Rod ..... 130  
 Transmission Extension ..... 147

**C**

Cable  
   Air Con. Control ..... 189  
   Battery ..... 169  
   Emergency Brake ..... 129  
   Heater Control ..... 187  
   Hood ..... 176  
   Speedometer ..... 177  
   Starter ..... 171  
 Camshaft ..... 144

Cap  
   Distributor ..... 162  
   Gas ..... 153  
   Master Cylinder ..... 128  
   Oil 146  
   Power Steering Pump ..... 130  
   Radiator ..... 150  
   Water Pump ..... 152  
   Windshield Washer Bag ..... 180  
 Carburetor ..... 156  
 Car Cover ..... 115  
 Carpet ..... 108-109  
 Choke Tubes ..... 157  
 Cigarette Lighter ..... 173

Clamp  
   Battery Hold Down ..... 161  
   Radiator Hose ..... 152  
   Rear Spring ..... 143  
   Tonneau Cover ..... 200  
 Clocks ..... 173  
 Clutch 149  
 Clutch Pedal Pad ..... 129  
 Coil, Ignition ..... 162  
 Continental Kit ..... 212  
 Control Valve, Power Steering ..... 137  
 Convertible Top  
   Clamps ..... 200  
   Deck Lid Lift Cylinder ..... 173, 198  
   Gear Housings & Gears ..... 202  
   Hose Kits ..... 173, 202  
   Pump Motor ..... 173, 202  
   Recovering Kits ..... 111  
   Relays ..... 173  
   Top Lift Cylinder ..... 173, 200  
   Top Pads ..... 111  
   Weatherstripping ..... 200, 202

Cover  
   Arm Rest Covers ..... 100-102  
   Car Cover ..... 115  
   Choke Cover ..... 157  
   Dash Cover ..... 117  
   Seat Covers 100-101, 103-104, 106-107  
   Spare Tire Cover ..... 112  
   Trunk Key Opening ..... 199  
   Valve Cover ..... 145

**D**

Dash  
   Courtesy Light Lens ..... 168  
   Covers ..... 117  
   Knobs & Bezels ..... 161, 162  
   Padded ..... 102-104, 158-160  
 Decals 211-214  
 Differential ..... 139-142  
 Dipstick  
   Engine Oil ..... 146-149  
   Transmission ..... 147  
   Tube, Engine ..... 146  
 Distributor  
   Cap ..... 162  
   Condenser ..... 163  
   Point Set ..... 163  
   Rebuilt Distributors ..... 163  
   Rotor ..... 163  
   Vacuum Advance ..... 163  
   Vacuum Lines ..... 163

**Door**

Glass ..... 192  
 Handle (Inside) ..... 194  
 Handle (Outside) ..... 193  
 Hinge ..... 194  
 Latch Remote Control ..... 193  
 Lock Striker ..... 193  
 Ornament ..... 189  
 Panels & Door Aluminum 100-107, 195  
 Script ..... 174  
 Weatherstrip ..... 189, 192, 206-208  
 Drag Link ..... 131-133

Draincock, Radiator ..... 150-152  
 Drain Tubes  
   Trunk ..... 199-201

**E**

Edelbrock Parts ..... 155, 156  
 Emblem  
   Nose ..... 152-154, 174-176  
   Rear Bumper ..... 174-176, 185-187  
   Roof ..... 174, 200-201, 202  
   Trunk Lid ..... 174  
 Emergency Brake Cables ..... 129  
 Escutcheon ..... 169, 194, 198  
 Exhaust Manifolds ..... 142, 155

**F**

Fan  
   Belt ..... 152-153  
   Blade ..... 152  
   Clutch ..... 152  
 Fender  
   Cover ..... 115  
   Front ..... 174  
   Skirt Seals ..... 197

**Filter**

Air Cleaner ..... 156  
 Fuel Pump ..... 155  
 Oil 146  
 Transmission ..... 147  
 Flasher, Turn Signal ..... 166  
 Floor Mats ..... 116  
 Flywheel ..... 144  
 Foam, Seat... 100-101, 103-104, 106-107

**Fuel**

Carburetor ..... 155  
 Filter ..... 153, 155  
 Intake Manifold ..... 155  
 Lines ..... 153-154  
 Pedal Pads ..... 157  
 Pump ..... 155  
 Sending Unit ..... 154  
 Tanks ..... 153  
 Tank Straps ..... 153

**Fuses 171**

**G**

Gas Cap ..... 153  
 Gasket  
   Air Cleaner ..... 156  
   Air Cond. Compressor ..... 189  
   Antenna ..... 188  
   Back Up Light Lens ..... 173  
   Brake Fittings ..... 127  
   Carburetor ..... 155, 156  
   Cylinder Head ..... 144  
   Distributor Base ..... 163  
   Engine Overhaul Kit ..... 144  
   Exhaust Flange ..... 142, 155  
   Exhaust Manifold ..... 142, 155  
   Fuel Pump ..... 155  
   Headlight Bucket ..... 166  
   Heater Core ..... 188  
   License Plate Lamp Lens ..... 168  
   Master Cylinder ..... 128  
   Oil Filter ..... 146  
   Oil Pan ..... 146  
   Parking Lamp Lens ..... 166  
   Power Window Switch ..... 172  
   Rear End Housing ..... 139  
   Tail Light Lens ..... 167  
   Thermostat Cover ..... 152  
   Transmission Pan ..... 147  
   Transmission Set ..... 148  
   Valve Cover ..... 145  
   Water Pump ..... 152

**Gear Box**

Power Window ..... 195  
 Steering ..... 132

Gear Shift  
   Bushing ..... 149  
   Lever ..... 148  
 Generator ..... 159  
 Glass ..... 192  
 Glove Box ..... 159

**H**

Handle  
   Convertible Top ..... 200  
   Door (Inside) ..... 194  
   Door (Outside) ..... 193  
   Hood Release Cable ..... 176  
   Vent Window ..... 194  
   Window ..... 194, 198  
 Hardware Kits ..... 203-205  
 Harmonic Balancer ..... 144  
 Headlamps ..... 163  
 Headliner ..... 110-111  
 Heater Parts ..... 187-188  
 Hog Rings & Pliers ..... 117  
 Hood  
   Bumpers ..... 176  
   Cables ..... 176  
   Emblems ..... 174, 176  
   Hinges ..... 176  
   Letters ..... 174  
   Moldings ..... 176  
   Pads ..... 176

**Horn 168**

**Hose**

Air Cond. Motor ..... 188  
 Brake ..... 126, 128  
 Convertible Top ..... 173, 202  
 Defroster ..... 188  
 Heater ..... 150, 187  
 Power Steering ..... 134, 137  
 Radiator ..... 152  
 Wiper ..... 179  
 Hubcaps ..... 124

**I**

Idler Arm ..... 131, 137  
 Ignition Parts ..... 162-163  
 Insulation ..... 113, 114  
 Intake Manifold ..... 155  
 Interior Trim ..... 100-111

**J**

Jack Handle ..... 177  
 Joint, Universal ..... 139

**K**

Key Blanks ..... 117, 193  
 Key Fobs ..... 117  
 Kick Panels ..... 100-104, 106-107, 158  
 Knob  
   Door Lock ..... 193  
   Headlight ..... 162  
   Heater ..... 187  
   Lighter ..... 173  
   Radio ..... 188  
   Wiper ..... 179

**L**

Lamp Kit, Engine Or Trunk ..... 173  
 Landau Top ..... 111  
 Leaf Springs ..... 140  
 Lens  
   Back Up Light ..... 173  
   Courtesy ..... 168  
   Interior ..... 168  
   License Plate Lamp ..... 168  
   Tail Light ..... 167  
 Lever, Gear Shift ..... 148  
 Lever, Turn Signal ..... 148, 166  
 Light Bulbs ..... 167



- Lighter, Cigarette.....173  
 Limit Switch, Upper Back Panel.....173  
 Lock  
   Door.....193  
   Ignition.....162
- M**  
 Manuals.....120  
 Map Light.....168  
 Master Cylinder.....127  
 Mats  
   Floor.....116  
   Trunk.....112  
 Medallion  
   Hood.....174  
   Horn Ring.....168  
   Hub Cap.....124  
   Roof.....200  
 Mirrors.....181  
 Motor  
   A/C Blower Motor.....188  
   Convertible Top.....202  
   Engine Mounts.....144  
   Heater Blower.....187  
   Power Seat.....172  
   Power Window.....172  
   Windshield Wiper.....179  
 Mufflers.....141-142
- N**  
 Neutral Safety Switch.....149
- O**  
 Oil  
   Caps.....146  
   Dipsticks.....146  
   Filter.....146  
   Pan.....146  
   Pan Plug.....146  
   Pump.....146  
 Ornament  
   Door.....189  
   Fender.....174  
   Grill.....150  
   Hood.....174, 176  
   Horn Ring Medallion.....168  
   Hub Cap Medallion.....124  
   Nameplate.....174, 177  
   Nose Emblem.....152, 194  
   Quarter Panel.....197  
   Rear Bumper.....174, 185  
   Roadster.....174  
   Roof.....174, 200-201  
   Seat.....202  
   Trunk Lid.....174  
 Outside Mirrors.....181  
 Owner's Manuals.....120
- P**  
 Padded Dash.....102-104, 158-160  
 Paint  
   Engine.....145  
   Vinyl.....107  
 Parking Brake Cables.....129  
 Patch Panels.....122-123  
 Pitman Arm.....133  
 Plugs  
   Floorpan.....162  
   Freeze.....144  
   Oil Pan.....146  
   Plug Wire Sets.....163  
   Spark Plugs.....163  
 Power Brake Booster.....125  
 Power Seat Motor.....172  
 Power Steering  
   Control Valve.....137  
   Pump.....134  
   Ram Cylinder.....133  
 Power Window  
   Gear Box.....195  
   Motor.....172  
   Switches.....171, 172  
 Pulley  
   Alternator.....159  
   Parking Brake Cable.....129  
 Pump  
   Fuel.....155  
   Oil.....146  
   Power Steering.....134  
   Water.....152  
   Windshield Washer.....180
- Q**  
 Quarter Panel.....122-123  
 Quarter Window Glass.....192
- R**  
 Radiator.....150  
   Hoses.....152  
   Surge Tank.....150  
 Radio  
   Antenna.....119, 188  
   Speaker (Replacement).....119, 188  
   Speakers (Stereo).....119  
 Rear View Mirror.....181  
 Rebuild Kits  
   Caliper.....128  
   Carburetor.....156  
   Control Valve.....134  
   Engine.....144-147  
   Master Cylinder.....125  
   Power Steering Box.....133  
   Power Steering Pump.....133  
   Ram Cylinder.....137  
   Suspension.....131  
   Transmission.....148  
   Wheel Cylinder.....127  
 Regulator  
   Alternator.....159  
   Generator.....159  
   Instrument Cluster.....161  
 Relay  
   Emergency Flasher.....161  
   Horn.....168  
   Starter.....162  
   Stop Light.....168, 171  
   Top Control.....171, 173  
   Turn Signal.....166  
   Window Safety.....172  
 Reservoir, Windshield Wiper.....179  
 Retainer, Door Panel.....189, 195  
 Road Draft Tube.....146  
 Roof Rail Seals.....200
- S**  
 Seals, Miscellaneous.....206-208  
 Seat  
   Belts.....117  
   Cover.....100-101, 103-104, 106-107  
   Foam.....100-101, 103-104, 106-107  
   Miscellaneous.....202  
 Sending Unit  
   Fuel Tank.....154  
   Oil.....154  
   Water Temperature.....162  
 Sheet Metal.....122-123  
 Shift Collar.....149  
 Shifter Handles.....148  
 Shock Absorbers.....140  
 Shop Manuals.....120  
 Soft Top.....111  
 Spark Plugs.....163  
   Plug Wires.....163  
 Speakers  
   Replacement.....119, 188  
   Stereo.....119  
 Speedometer Cables.....177  
 Springs  
   Accelerator.....157  
   Brake Shoe.....126  
   Door Handle.....194  
   Door Lock Operating.....193  
   Door Lock Remote.....193  
   Front Coil.....140  
   Headlight Ring.....163  
   Hood Hinge.....176  
   Rear.....140  
   Trunk Lid Cover.....199  
   Turn Signal.....166  
   Valve.....144  
   Window Handle.....194  
 Starter.....162  
 Steering  
   Gear Box.....132  
   Wheel.....134  
 Step Plates.....166  
 Striker Plates.....193  
 Strut Rod Bushings.....130  
 Sun Visors.....158  
 Suspension Parts.....130-133, 140, 143  
 Sway Bar.....140, 143  
 Switch  
   Dome Light.....168  
   Headlight.....162  
   Housing.....171  
   Ignition.....162  
   Lockout.....171  
   Neutral Safety.....149  
   Power Seat.....172  
   Power Window.....171, 172  
   Stop Light.....167  
   Turn Signal.....166
- T**  
 Tail Lights.....167  
 Temperature Sender.....162  
 Thermostat.....152  
   Housings.....152  
 Tie Rods.....130, 131  
 Tire Covers.....112  
 Trailer Tie Downs.....117  
 Transmission Parts.....147-149  
 Tray, Battery.....161  
 Trunk  
   Floor Pans.....122, 123  
   Hydraulic Cylinders.....173, 198  
   Mats.....112  
   Ornaments.....174  
   Weather Strips.....199  
 Turn Signal.....166  
   Sequencer.....166
- U**  
 Universal Joint.....139  
 Upholstery.....100-104, 106-107
- V**  
 Valve  
   Cover Gaskets.....145  
   Covers.....145  
   Power Steering Control.....137  
   Water Control.....187  
 Vent Window  
   Glass.....192  
   Handles.....194  
 Vinyl Tops.....111  
 Visors 158  
 Voltage Regulator.....159
- W**  
 Water Pump.....152  
 Weatherstripping.....202, 206-208  
 Wheels.....124
- Window  
   Glass.....192  
   Motor.....172  
   Safety Relay.....172  
   Switches.....171, 172  
 Windshield.....158, 192  
 Windshield Washer Bag.....179  
 Wiper Blades.....179  
 Wiring.....169-173  
 Wiring Diagrams.....120, 169
- Z**  
 Zerk Fitting.....203

# Thunderbird Headquarters

4020 Pike Lane  
Concord, CA 94520



**Call or visit us online!**

**Orders: 1-925-825-9550**

**Fax: 1-925-689-1771**

**US Toll Free: 1-800-227-2174**

**E-Mail: [parts@tbirdhq.com](mailto:parts@tbirdhq.com)**

**Web: [www.tbirdhq.com](http://www.tbirdhq.com)**

